

SELSER SCHAEFER ARCHITECTS

**Project Name:** Cherokee Nation Entertainment  
Cherokee Tower Renovation

**Item Number:** FURN11  
FURN11-OPH\*

**Issue Date:** 10/2/13

**Item Description:** Furniture, TV Credenza with Integral  
Desk, Wardrobe Tower

**Revision(s):** Issue 02

**Area Name:** ADA King, ADA Double Queen

<b>Item Pricing:</b>		<b>Total Quantity:</b>	3 (FURN11); 3 (FURN11-OPH)
<b>Manufacturer:</b>	Vaughan Benz	<b>Source:</b>	N/A
<b>Address:</b>	1635 North Main Street Los Angeles, California 90012	<b>Address:</b>	N/A
<b>Phone</b>	323.752.4555	<b>Phone</b>	N/A
<b>Fax</b>	323.752.0102	<b>Fax</b>	N/A
<b>Contact</b>	Scott Vaughan	<b>Contact</b>	N/A
<b>Email</b>	scott@vaughanbenz.com	<b>Email</b>	N/A
<b>Web</b>	www.vaughanbenz.com	<b>Web</b>	N/A

**Description:** TV credenza/low dresser/wardrobe with integral desk and back panel with recessed LED light strip at top; openings for power/data/cable as indicated on drawings; undermount self closing slides on all drawers. Wardrobe cabinet with (2) doors; interior to include fixed upper shelf and hanging rod, full length mirror on inside face of door; ironing rack and ironing board by others. Wardrobe to have 160 degree self closing hinges with four hinges per door. Provide recessed leveling guides.

**Materials/Finish:** Walnut veneer and hardwood to match, medium stain with semi-gloss sheen, polyurethane finish. Walnut veneer to be book-matched, quartercut veneer. Where indicated, provide 1/4" clear glass with flat polished edges, tempered, no bug.

**Core Material/Substrate:** MDF

**Drawer/Door Pulls:** Hafela #116.32.330, black zinc, center to center 96mm

**Dimensions:** Refer to attached drawings

**\*Note:** OPH = Opposite Hand  
Refer to furniture plans for orientation of furniture piece

**Lead Time** 12-16 Weeks after receipt of purchase order and deposit

**Required Item(s) for Designer Approval Prior to Fabrication:**

Seaming Diagram  Strike-Off  Finish Sample  Cutting  Shop Dwgs  Prototype  Flame Certificate  Other...

**Instructions:**

- Install per manufacturers recommendations.
- Provide hardware for wall mount installation.

SELSE SCHAEFER ARCHITECTS

**Project Name:** Cherokee Nation Entertainment  
Cherokee Tower Renovation

**Item Number:** FURN11  
FURN11-OPH\*

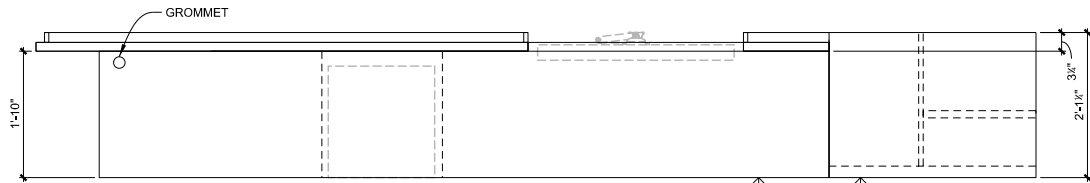
**Issue Date:** 10/2/13

**Item Description:** Furniture, TV Credenza with Integral  
Desk, Wardrobe Tower

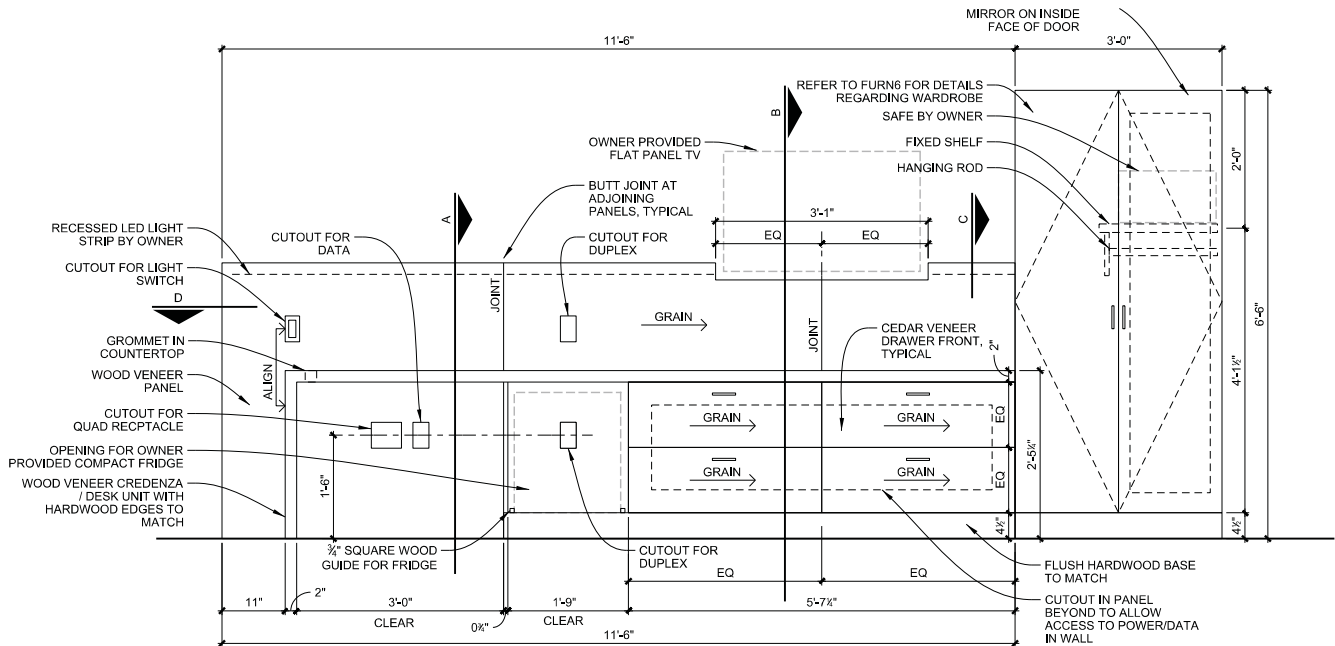
**Revision(s):** Issue 02

**Area Name:** ADA King, ADA Double Queen

<b>Item Pricing:</b>	<b>Total Quantity:</b> 3 (FURN11); 3 (FURN11-OPH)
<b>Manufacturer:</b> Vaughan Benz	<b>Source:</b> N/A



PLAN



ELEVATION

COORDINATE EXACT LOCATIONS OF ALL OPENINGS AND CUTOUTS FOR EQUIPMENT, POWER, DATA AND CABLE PRIOR TO FABRICATION

SELSE SCHAEFER ARCHITECTS

**Project Name:** Cherokee Nation Entertainment  
Cherokee Tower Renovation

**Item Number:** FURN11  
FURN11-OPH\*

**Issue Date:** 10/2/13

**Item Description:** Furniture, TV Credenza with Integral  
Desk, Wardrobe Tower

**Revision(s):** Issue 02

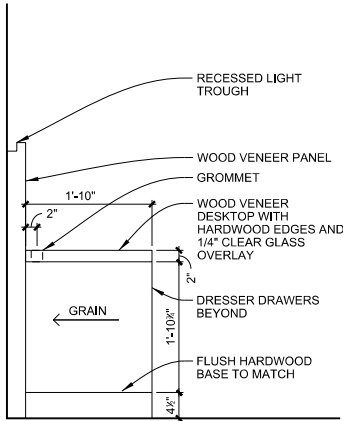
**Area Name:** ADA King, ADA Double Queen

**Item Pricing:**

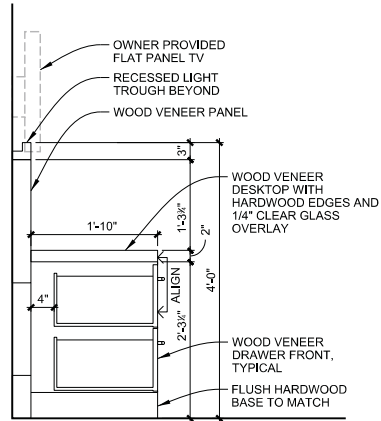
**Total Quantity:** 3 (FURN11); 3 (FURN11-OPH)

**Manufacturer:** Vaughan Benz

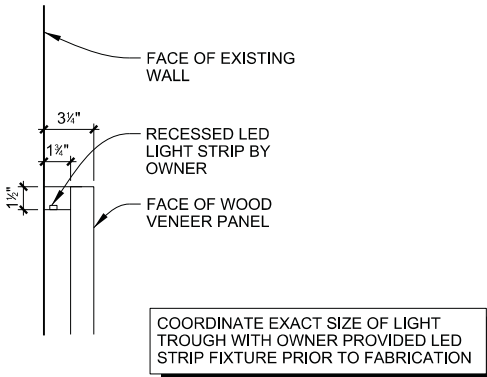
**Source:** N/A



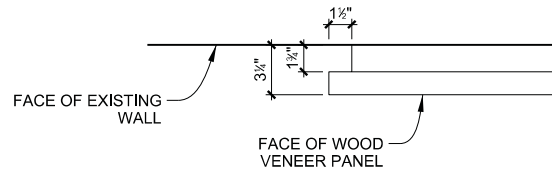
SECTION A - DESK



SECTION B - DRAWERS



DETAIL C - TOP OF PANEL



DETAIL D - TOP OF PANEL