

SELSER SCHAEFER ARCHITECTS

Project Name: Cherokee Nation Entertainment
Cherokee Tower Renovation

Item Number: FURN13

Issue Date: 10/2/13

Item Description: Furniture, TV Credenza with Integral
Desk, Sink, Wardrobe Tower

Revision(s): Issue 02

Area Name: Deluxe Double Queen Suite

Item Pricing:		Total Quantity:	5
Manufacturer:	Vaughan Benz	Source:	N/A
Address:	1635 North Main Street Los Angeles, California 90012	Address:	N/A
Phone	323.752.4555	Phone	N/A
Fax	323.752.0102	Fax	N/A
Contact	Scott Vaughan	Contact	N/A
Email	scott@vaughanbenz.com	Email	N/A
Web	www.vaughanbenz.com	Web	N/A

Description: TV credenza/dresser/wardrobe with integral desk and back panel with recessed LED light strip at top; openings for power/data/cable as indicated on drawings; undermount self closing slides on all drawers; quartz countertop; opening for sink. Wardrobe cabinet with (2) doors; interior to include fixed upper shelf and hanging rod, full length mirror on inside face of door; ironing rack and ironing board by others. Wardrobe to have 160 degree self closing hinges with four hinges per door. Provide recessed leveling guides.

Materials/Finish: Walnut veneer and hardwood to match, medium stain with semi-gloss sheen, polyurethane finish. Cedar veneer to be book-matched, quartercut veneer. Quartz to be Zodiaq Papyrus, 3/4" thickness (2cm), square edge

Core Material/Substrate: MDF

Drawer/Door Pulls: Hafela #116.32.330, black zinc, center to center 96mm

Dimensions: Refer to attached drawings

Lead Time 12-16 Weeks after receipt of purchase order and deposit

Required Item(s) for Designer Approval Prior to Fabrication:

Seaming Diagram Strike-Off Finish Sample Cutting Shop Dwgs Prototype Flame Certificate Other...

Instructions:

- Install per manufacturers recommendations.
- Provide hardware for wall mount installation.

2002 East 6th Street
 Tulsa, Oklahoma 74104
 918.587.2282 | F 918.587.2285

SELSER SCHAEFER ARCHITECTS

Project Name: Cherokee Nation Entertainment
 Cherokee Tower Renovation

Item Number: FURN13

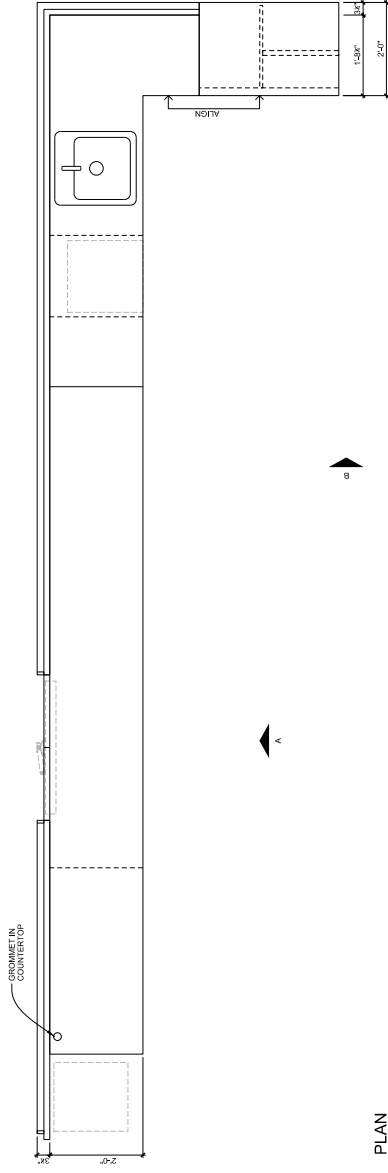
Issue Date: 10/2/13

Item Description: Furniture, TV Credenza with Integral Desk, Sink, Wardrobe Tower

Revision(s): Issue 02

Area Name: Deluxe Double Queen Suite

Item Pricing:	Total Quantity: 5
Manufacturer: Vaughan Benz	Source: N/A



PLAN

2002 East 4th Street
Tulsa, Oklahoma 74104
918.587.2282 | F 918.587.2285

SELSER SCHAEFER ARCHITECTS

Project Name: **Cherokee Nation Entertainment
Cherokee Tower Renovation**

Item Number: **FURN13**

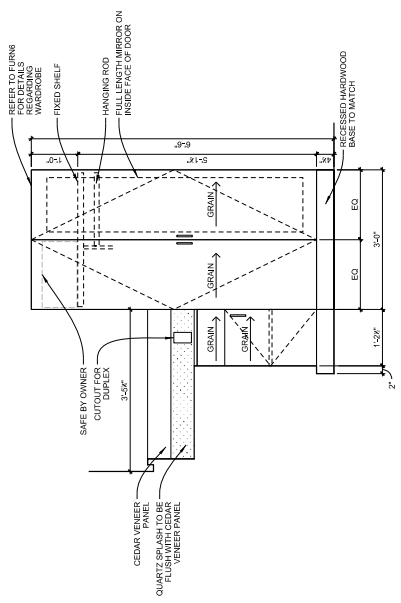
Issue Date: **10/2/13**

Item Description: **Furniture, TV Credenza with Integral
Desk, Sink, Wardrobe Tower**

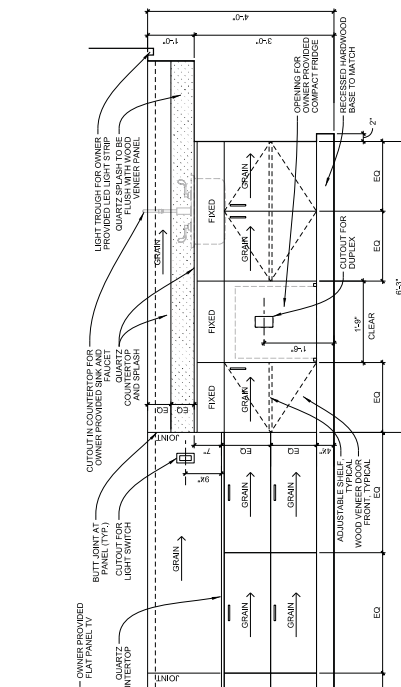
Revision(s): **Issue 02**

Area Name: **Deluxe Double Queen Suite**

Item Pricing:	Total Quantity:	5
Manufacturer:	Source:	N/A
Manufacturer: Vaughan Benz		



ELEVATION A



ELEVATION B

SELSER SCHAEFER ARCHITECTS

Project Name: Cherokee Nation Entertainment
Cherokee Tower Renovation

Item Number: FURN13

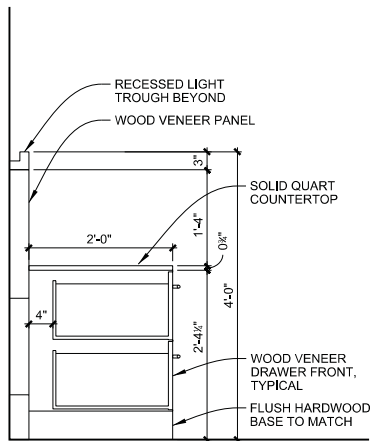
Issue Date: 10/2/13

Item Description: Furniture, TV Credenza with Integral
Desk, Sink, Wardrobe Tower

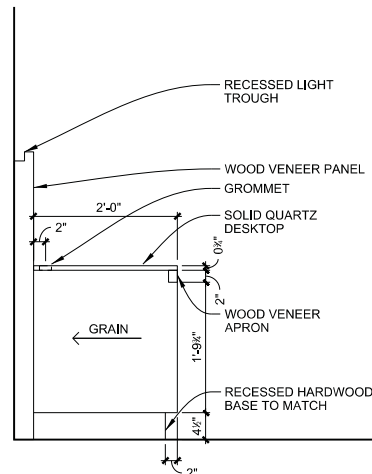
Revision(s): Issue 02

Area Name: Deluxe Double Queen Suite

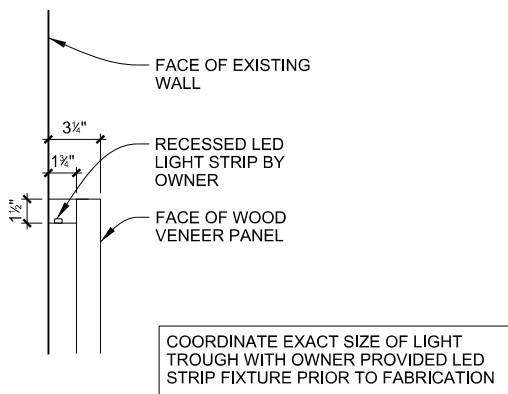
Item Pricing:	Total Quantity: 5
Manufacturer: Vaughan Benz	Source: N/A



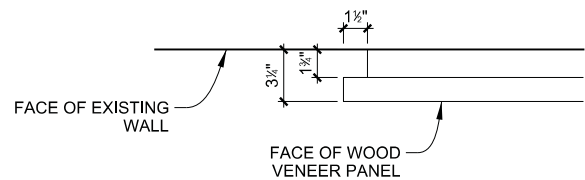
SECTION C - DRAWERS



SECTION D - DESK



DETAIL D - TOP OF PANEL



DETAIL E - SIDE OF PANEL