

SELSER SCHAEFER ARCHITECTS

**Project Name:** Cherokee Nation Entertainment  
Cherokee Tower Renovation

**Item Number:** FURN21,  
FURN21-OPH\*

**Issue Date:** 10/2/13

**Item Description:** Furniture, TV Credenza with Integral  
Desk

**Revision(s):** Issue 02

**Area Name:** Deluxe King Suite

|                      |  |                        |                            |
|----------------------|--|------------------------|----------------------------|
| <b>Item Pricing:</b> |  | <b>Total Quantity:</b> | 1 (FURN21); 1 (FURN21-OPH) |
| <b>Manufacturer:</b> | Vaughan Benz   | <b>Source:</b>         | N/A                        |
| <b>Address:</b>      | 1635 North Main Street<br>Los Angeles, California<br>90012 | <b>Address:</b>        | N/A                        |
| <b>Phone</b>         | 323.752.4555   | <b>Phone</b>           | N/A                        |
| <b>Fax</b>           | 323.752.0102   | <b>Fax</b>             | N/A                        |
| <b>Contact</b>       | Scott Vaughan  | <b>Contact</b>         | N/A                        |
| <b>Email</b>         | scott@vaughanbenz.com                                      | <b>Email</b>           | N/A                        |
| <b>Web</b>           | www.vaughanbenz.com  | <b>Web</b>             | N/A                        |

**Description:** TV Credenza/desk with integral desk and back panel with recessed LED light strip at top; openings for power/data/cable as indicated on drawings; undermount self closing slides on all drawers. Provide recessed leveling guides.

**Materials/Finish:** Walnut veneer and hardwood to match, medium stain with semi-gloss sheen, polyurethane finish. Walnut veneer to be book-matched, quartercut veneer. Where indicated, provide 1/4" clear glass with flat polished edges, tempered, no bug.

**Core Material/Substrate:** MDF

**Drawer Pulls:** Hafela #116.32.330, black zinc, center to center 96mm

**Dimensions:** Refer to attached drawings

**\*Note:** OPH = Opposite Hand  
Refer to furniture plans for orientation of furniture piece

**Lead Time** 12-16 Weeks after receipt of purchase order and deposit

**Required Item(s) for Designer Approval Prior to Fabrication:**

Seaming Diagram  Strike-Off  Finish Sample  Cutting  Shop Dwgs  Prototype  Flame Certificate  Other...

**Instructions:**

- Install per manufacturers recommendations.
- Provide hardware for wall mount installation for walnut veneer panels.

SELSER SCHAEFER ARCHITECTS

**Project Name:** Cherokee Nation Entertainment  
Cherokee Tower Renovation

**Item Number:** FURN21,  
FURN21-OPH\*

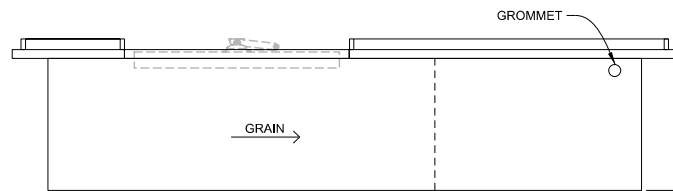
**Issue Date:** 10/2/13

**Item Description:** Furniture, TV Credenza with Integral  
Desk

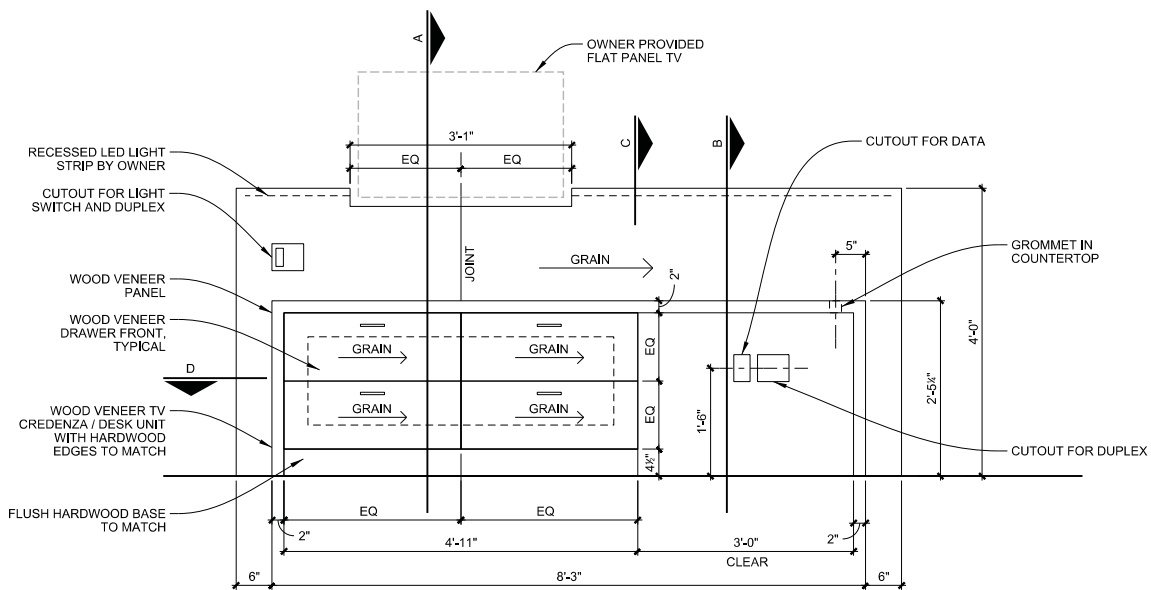
**Revision(s):** Issue 02

**Area Name:** Deluxe King Suite

|                                   |   |
|-----------------------------------|---|
| <b>Item Pricing:</b>              | <b>Total Quantity:</b> 1 (FURN21); 1 (FURN21-OPH) |
| <b>Manufacturer:</b> Vaughan Benz | <b>Source:</b> N/A                                |



PLAN



ELEVATION

COORDINATE EXACT LOCATIONS OF ALL CUTOUTS FOR EQUIPMENT, POWER AND DATA PRIOR TO FABRICATION

SELSER SCHAEFER ARCHITECTS

**Project Name:** Cherokee Nation Entertainment  
Cherokee Tower Renovation

**Item Number:** FURN21,  
FURN21-OPH\*

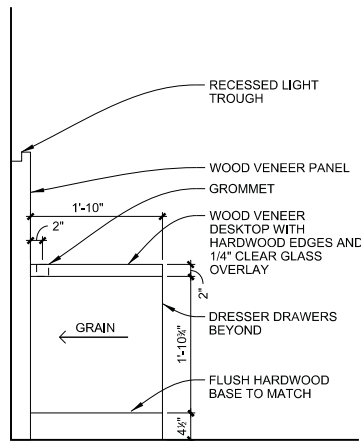
**Issue Date:** 10/2/13

**Item Description:** Furniture, TV Credenza with Integral  
Desk

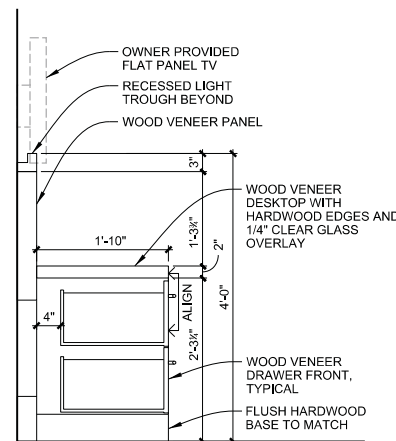
**Revision(s):** Issue 02

**Area Name:** Deluxe King Suite

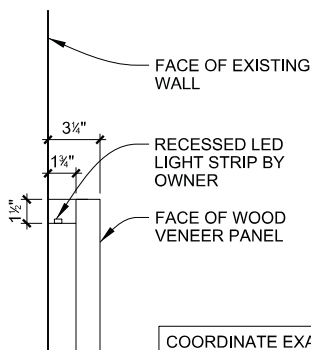
|                                   |   |
|-----------------------------------|---|
| <b>Item Pricing:</b>              | <b>Total Quantity:</b> 1 (FURN21); 1 (FURN21-OPH) |
| <b>Manufacturer:</b> Vaughan Benz | <b>Source:</b> N/A                                |



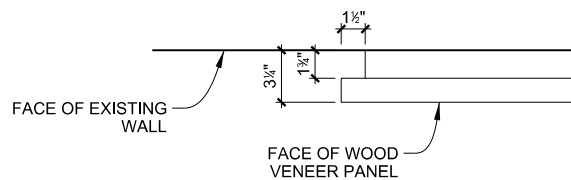
SECTION A - DESK



SECTION B - DRAWERS



DETAIL C - TOP OF PANEL



DETAIL D - SIDE OF PANEL

COORDINATE EXACT SIZE OF LIGHT TROUGH WITH OWNER PROVIDED LED STRIP FIXTURE PRIOR TO FABRICATION