

SELSE SCHAEFER ARCHITECTS

Project Name: Cherokee Nation Entertainment
Cherokee Tower Renovation

Item Number: FURN23
FURN23-OPH*

Issue Date: 10/2/13

Item Description: Furniture, Desk

Revision(s): Issue 02

Area Name: Deluxe Double Queen Mini Suite

Item Pricing:		Total Quantity:	2 (FURN23); 1 (FURN23-OPH)
Manufacturer:	Vaughan Benz	Source:	N/A
Address:	1635 North Main Street Los Angeles, California 90012	Address:	N/A
Phone	323.752.4555	Phone	N/A
Fax	323.752.0102	Fax	N/A
Contact	Scott Vaughan	Contact	N/A
Email	scott@vaughanbenz.com	Email	N/A
Web	www.vaughanbenz.com	Web	N/A

Description: Wood desk and back panel with recessed LED light strip at top; openings for power/data as indicated on drawings. Provide recessed leveling guides.

Materials/Finish: Walnut veneer and hardwood to match, medium stain with semi-gloss sheen, polyurethane finish. Walnut veneer to be book-matched, quartercut veneer. Where indicated, provide 1/4" clear glass with flat polished edges, tempered, no bug.

Core Material/Substrate: MDF

Dimensions: Refer to attached drawings

***Note:** OPH = Opposite Hand
Refer to furniture plans for orientation of furniture piece

Lead Time 12-16 Weeks after receipt of purchase order and deposit

Required Item(s) for Designer Approval Prior to Fabrication:

Seaming Diagram Strike-Off Finish Sample Cutting Shop Dwgs Prototype Flame Certificate Other...

Instructions:

- Install per manufacturers recommendations.
- Provide hardware for wall mount installation for walnut veneer panels.

SELSER SCHAEFER ARCHITECTS

Project Name: Cherokee Nation Entertainment
Cherokee Tower Renovation

Item Number: FURN23
FURN23-OPH*

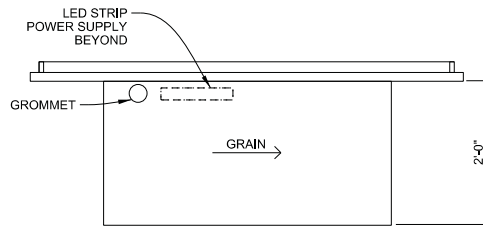
Issue Date: 10/2/13

Item Description: Furniture, Desk

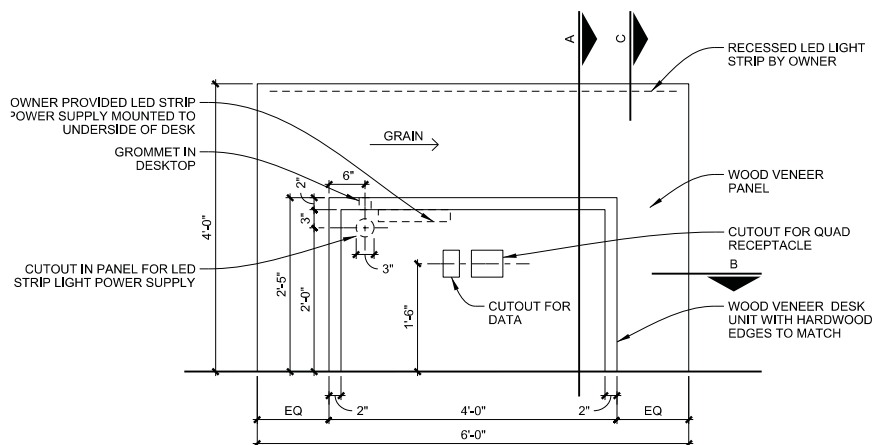
Revision(s): Issue 02

Area Name: Deluxe Double Queen Mini Suite

Item Pricing:	Total Quantity: 2 (FURN23); 1 (FURN23-OPH)
Manufacturer: Vaughan Benz	Source: N/A



PLAN



COORDINATE EXACT LOCATIONS OF ALL CUTOUTS FOR POWER AND DATA PRIOR TO FABRICATION

ELEVATION

SELSER SCHAEFER ARCHITECTS

Project Name: Cherokee Nation Entertainment
Cherokee Tower Renovation

Item Number: FURN23
FURN23-OPH*

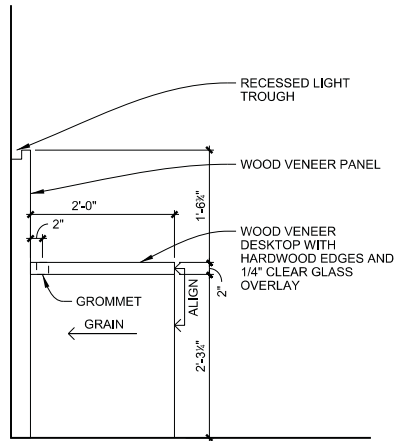
Issue Date: 10/2/13

Item Description: Furniture, Desk

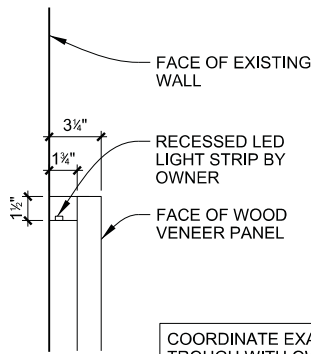
Revision(s): Issue 02

Area Name: Deluxe Double Queen Mini Suite

Item Pricing:	Total Quantity: 2 (FURN23); 1 (FURN23-OPH)
Manufacturer: Vaughan Benz	Source: N/A

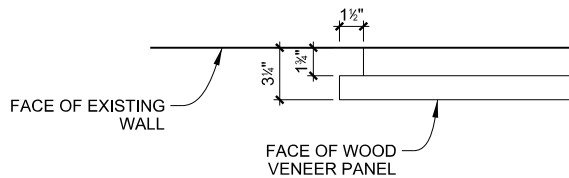


SECTION A - DESK



COORDINATE EXACT SIZE OF LIGHT TROUGH WITH OWNER PROVIDED LED STRIP FIXTURE PRIOR TO FABRICATION

DETAIL B - TOP OF PANEL



DETAIL C - SIDE OF PANEL