

SELSER SCHAEFER ARCHITECTS

**Project Name:** Cherokee Nation Entertainment  
Cherokee Tower Renovation

**Item Number:** FURN3  
FURN3-OPH\*

**Issue Date:** 10/2/13

**Item Description:** Furniture, King Bed Headboard & Bed  
Platform with Integral Nightstand

**Revision(s):** Issue 02

**Area Name:** Standard King Room, ADA King Room,  
Deluxe King Mini Suite

<b>Item Pricing:</b>		<b>Total Quantity:</b>	57 (FURN3); 8 (FURN3-OPH)
<b>Manufacturer:</b>	Vaughan Benz	<b>Source:</b>	N/A
<b>Address:</b>	1635 North Main Street Los Angeles, California 90012	<b>Address:</b>	N/A
<b>Phone</b>	323.752.4555	<b>Phone</b>	N/A
<b>Fax</b>	323.752.0102	<b>Fax</b>	N/A
<b>Contact</b>	Scott Vaughan	<b>Contact</b>	N/A
<b>Email</b>	scott@vaughanbenz.com	<b>Email</b>	N/A
<b>Web</b>	www.vaughanbenz.com	<b>Web</b>	N/A

**Description:** King headboard with recessed LED light strip at top, (1) opening for picture light, and (2) openings for reading lights; openings for power/data as indicated on drawings; (1) short night stand and (1) long night stand; (1) king bed platform; Provide recessed leveling guides.

**Materials/Finish:** Walnut veneer and hardwood to match, medium stain with semi-gloss sheen, polyurethane finish. Walnut veneer to be book-matched, quartercut veneer. Where indicated, provide 1/4" clear glass with flat polished edges, tempered, no bug. Matte black laminate base at bed platform.

**Core Material/Substrate:** MDF

**Dimensions:** Refer to attached drawings

**\*Note:** OPH = Opposite Hand  
Refer to furniture plans for orientation of furniture piece

**Lead Time** 12-16 Weeks after receipt of purchase order and deposit

**Required Item(s) for Designer Approval Prior to Fabrication:**

Seaming Diagram  Strike-Off  Finish Sample  Cutting  Shop Dwgs  Prototype  Flame Certificate  Other...

**Instructions:**

- Install per manufacturers recommendations.
- Provide hardware for wall mount installation for walnut veneer panels.

SELSER SCHAEFER ARCHITECTS

**Project Name:** Cherokee Nation Entertainment  
Cherokee Tower Renovation

**Item Number:** FURN3  
FURN3-OPH\*

**Issue Date:** 10/2/13

**Item Description:** Furniture, King Bed Headboard & Bed  
Platform with Integral Nightstand

**Revision(s):** Issue 02

**Area Name:** Standard King Room, ADA King Room,  
Deluxe King Mini Suite

---

**Item Pricing:**

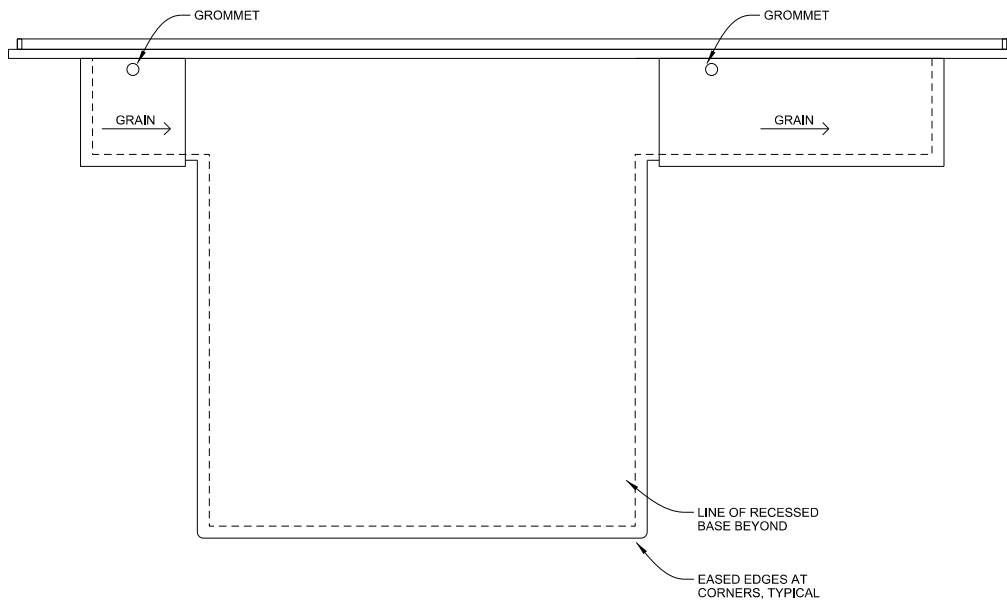
**Total Quantity:** 57 (FURN3); 8 (FURN3-OPH)

---

**Manufacturer:** Vaughan Benz

**Source:** N/A

---



PLAN

SELSER SCHAEFER ARCHITECTS

**Project Name:** Cherokee Nation Entertainment  
Cherokee Tower Renovation

**Item Number:** FURN3  
FURN3-OPH\*

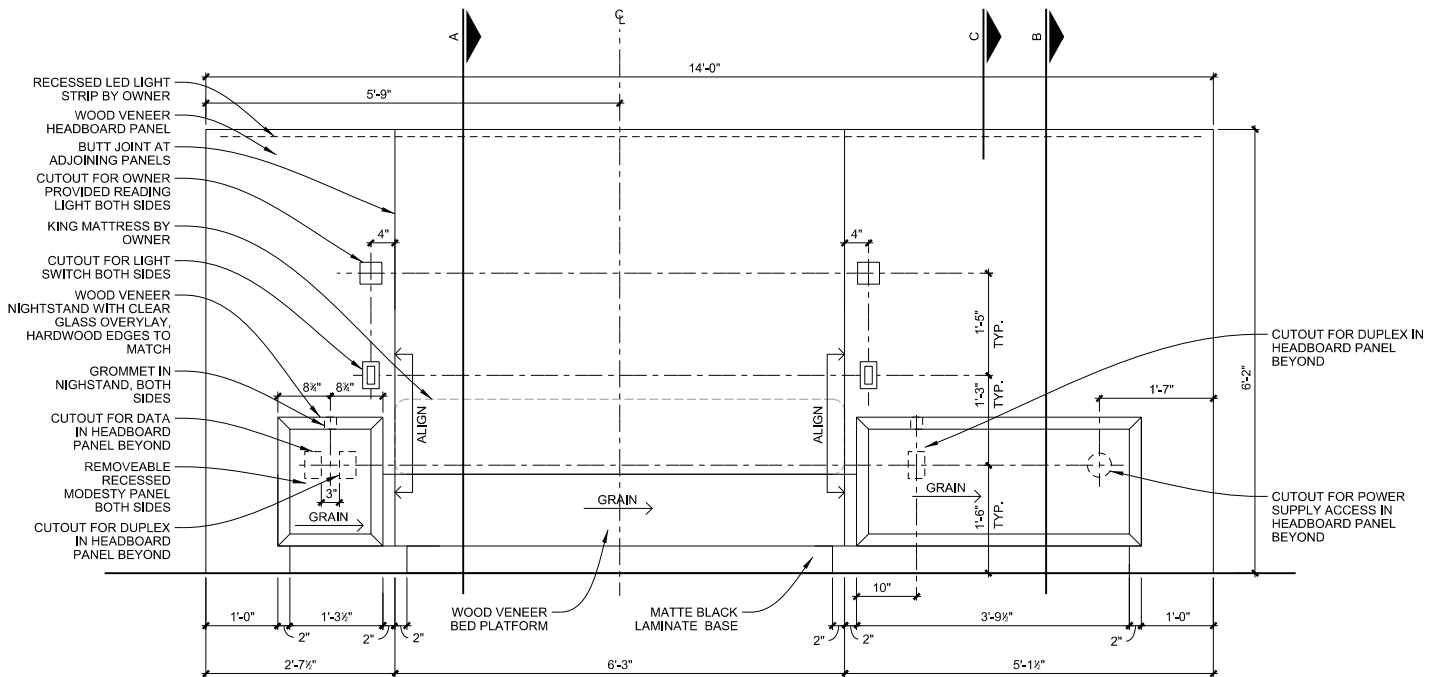
**Issue Date:** 10/2/13

**Item Description:** Furniture, King Bed Headboard & Bed Platform with Integral Nightstand

**Revision(s):** Issue 02

**Area Name:** Standard King Room, ADA King Room,  
Deluxe King Mini Suite

<b>Item Pricing:</b>	<b>Total Quantity:</b> 57 (FURN3); 8 (FURN3-OPH)
<b>Manufacturer:</b> Vaughan Benz	<b>Source:</b> N/A



ELEVATION

COORDINATE EXACT SIZE OF BED PLATFORM WITH OWNER PROVIDED PRIOR TO FABRICATION

COORDINATE EXACT SIZE AND LOCATION OF ALL CUTOUTS FOR LIGHT FIXTURES, POWER AND DATA PRIOR TO FABRICATION

SELSER SCHAEFER ARCHITECTS

**Project Name:** Cherokee Nation Entertainment  
Cherokee Tower Renovation

**Item Number:** FURN3  
FURN3-OPH\*

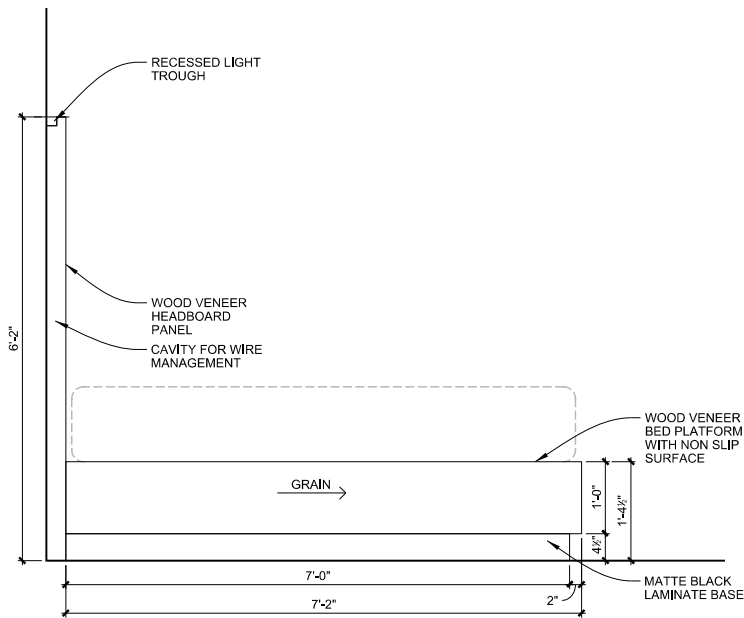
**Issue Date:** 10/2/13

**Item Description:** Furniture, King Bed Headboard & Bed  
Platform with Integral Nightstand

**Revision(s):** Issue 02

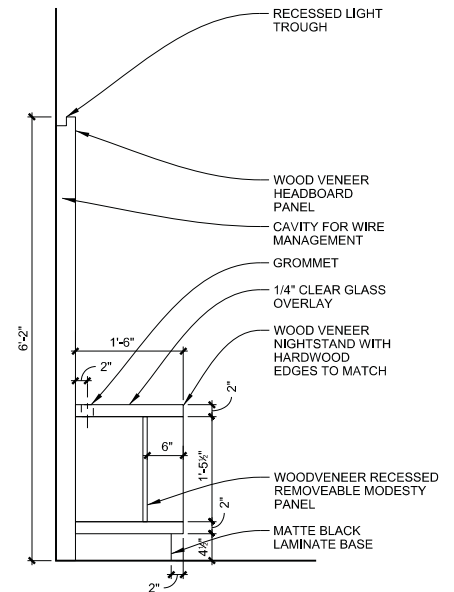
**Area Name:** Standard King Room, ADA King Room,  
Deluxe King Mini Suite

<b>Item Pricing:</b>	<b>Total Quantity:</b> 57 (FURN3); 8 (FURN3-OPH)
<b>Manufacturer:</b> Vaughan Benz	<b>Source:</b> N/A



SECTION A - BED

COORDINATE EXACT SIZE OF BED  
PLATFORM WITH OWNER PROVIDED  
MATTRESS PRIOR TO FABRICATION



SECTION B - NIGHTSTAND

SELSER SCHAEFER ARCHITECTS

**Project Name:** Cherokee Nation Entertainment  
Cherokee Tower Renovation

**Item Number:** FURN3  
FURN3-OPH\*

**Issue Date:** 10/2/13

**Item Description:** Furniture, King Bed Headboard & Bed  
Platform with Integral Nightstand

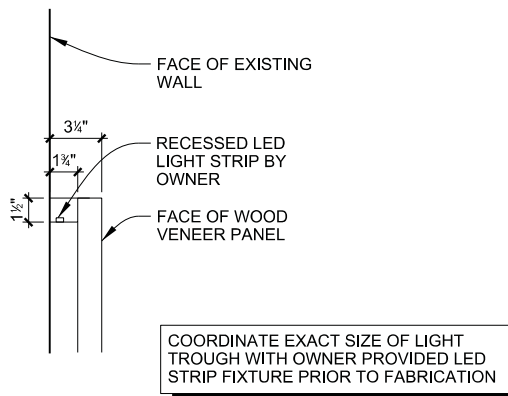
**Revision(s):** Issue 02

**Area Name:** Standard King Room, ADA King Room,  
Deluxe King Mini Suite

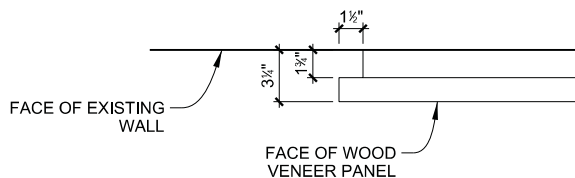
---

<b>Item Pricing:</b>	<b>Total Quantity:</b> 57 (FURN3); 8 (FURN3-OPH)
<b>Manufacturer:</b> Vaughan Benz	<b>Source:</b> N/A

---



DETAIL C - TOP OF PANEL



DETAIL D - SIDE OF PANEL