

SELSER SCHAEFER ARCHITECTS

Project Name: Cherokee Nation Entertainment
Cherokee Tower Renovation

Item Number: FURN46

Issue Date: 10/2/13

Item Description: Furniture, Console Table

Revision(s): Issue 02

Area Name: Elevator Lobby (floor 2, Floor 3, Floor 4,
Floor 5, Floor 6, Floor 7)

Item Pricing:		Total Quantity:	6
Manufacturer:	Vaughan Benz	Source:	N/A
Address:	1635 North Main Street Los Angeles, California 90012	Address:	N/A
Phone	323.752.4555	Phone	N/A
Fax	323.752.0102	Fax	N/A
Contact	Scott Vaughan	Contact	N/A
Email	scott@vaughanbenz.com	Email	N/A
Web	www.vaughanbenz.com	Web	N/A

Description: Console table. Provide recessed leveling guides.

Materials/Finish: Walnut veneer and hardwood to match, medium stain with semi-gloss sheen, polyurethane finish. Walnut veneer to be book-matched, quartercut veneer. Where indicated, provide 1/4" clear glass with flat polished edges, tempered, no bug.

Core Material/Substrate: MDF

Drawer Pulls: Hafela #116.32.330, black zinc, center to center 96mm

Dimensions: Refer to attached drawings

Lead Time 12-16 Weeks after receipt of purchase order and deposit

Required Item(s) for Designer Approval Prior to Fabrication:

Seaming Diagram Strike-Off Finish Sample Cutting Shop Dwgs Prototype Flame Certificate Other...

Instructions:

- Install per manufacturers recommendations.

SELSER SCHAEFER ARCHITECTS

Project Name: Cherokee Nation Entertainment
Cherokee Tower Renovation

Item Number: FURN46

Issue Date: 10/2/13

Item Description: Furniture, Console Table

Revision(s): Issue 02

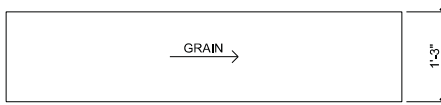
Area Name: Elevator Lobby (floor 2, Floor 3, Floor 4,
Floor 5, Floor 6, Floor 7)

Item Pricing:

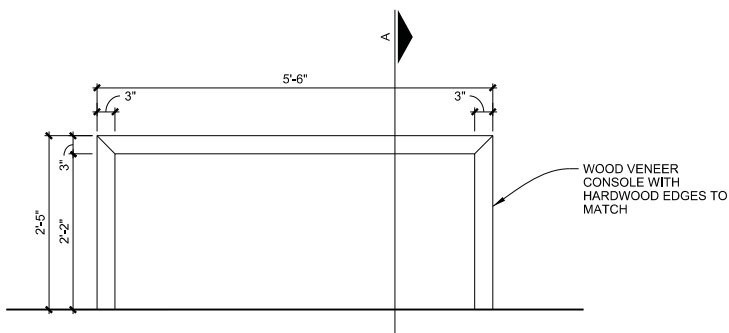
Total Quantity: 6

Manufacturer: Vaughan Benz

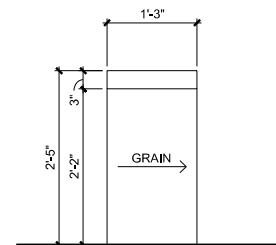
Source: N/A



PLAN



ELEVATION



SECTION A