

SELSER SCHAEFER ARCHITECTS

Project Name: Cherokee Nation Entertainment
Cherokee Tower Renovation

Item Number: FURN49

Issue Date: 10/2/13

Item Description: Furniture, TV Credenza with Integral
Desk

Revision(s): Issue 02

Area Name: Deluxe Double Queen Suite
(Conversion)

Item Pricing:		Total Quantity:	1
Manufacturer:	Vaughan Benz	Source:	N/A
Address:	1635 North Main Street Los Angeles, California 90012	Address:	N/A
Phone	323.752.4555	Phone	N/A
Fax	323.752.0102	Fax	N/A
Contact	Scott Vaughan	Contact	N/A
Email	scott@vaughanbenz.com	Email	N/A
Web	www.vaughanbenz.com	Web	N/A

Description: TV credenza/low dresser with integral desk and back panel with recessed LED light strip at top; openings for power/data/cable as indicated on drawings; undermount self closing slides on all drawers. Provide recessed leveling guides.

Materials/Finish: Walnut veneer and hardwood to match, medium stain with semi-gloss sheen, polyurethane finish. Walnut veneer to be book-matched, quartercut veneer. Where indicated, provide 1/4" clear glass with flat polished edges, tempered, no bug.

Core Material/Substrate: MDF

Drawer Pulls: Hafela #116.32.330, black zinc, center to center 96mm

Dimensions: Refer to attached drawings

Lead Time 12-16 Weeks after receipt of purchase order and deposit

Required Item(s) for Designer Approval Prior to Fabrication:

Seaming Diagram Strike-Off Finish Sample Cutting Shop Dwgs Prototype Flame Certificate Other...

Instructions:

- Install per manufacturers recommendations.
- Provide hardware for wall mount installation for walnut veneer panels.

SELSER SCHAEFER ARCHITECTS

Project Name: Cherokee Nation Entertainment
Cherokee Tower Renovation

Item Number: FURN49

Issue Date: 10/2/13

Item Description: Furniture, TV Credenza with Integral
Desk

Revision(s): Issue 02

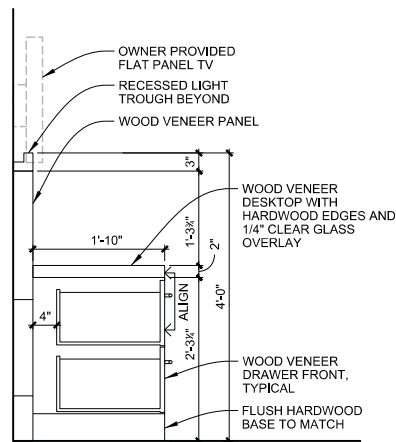
Area Name: Deluxe Double Queen Suite
(Conversion)

Item Pricing:

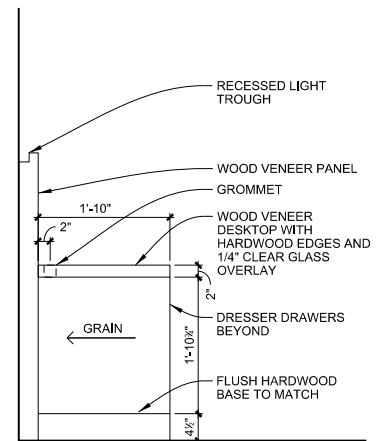
Total Quantity: 1

Manufacturer: Vaughan Benz

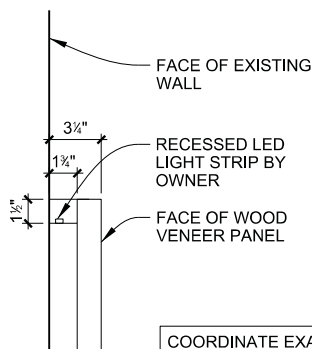
Source: N/A



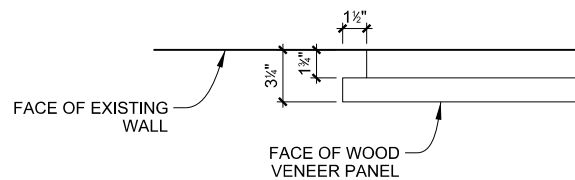
SECTION A - DRAWERS



SECTION B - DESK



DETAIL C - TOP OF PANEL



DETAIL D -SIDE OF PANEL

COORDINATE EXACT SIZE OF LIGHT TROUGH WITH OWNER PROVIDED LED STRIP FIXTURE PRIOR TO FABRICATION