

SELSER SCHAEFER ARCHITECTS

**Project Name:** Cherokee Nation Entertainment  
Cherokee Tower Renovation

**Item Number:** CS-FURN16

**Issue Date:** 10/2/13

**Item Description:** Nightstand

**Revision(s):** Issue 02

**Area Name:** Chief's Suite King Bedroom  
Chief's Suite Double Queen Bedroom

---

<b>Item Pricing:</b>		<b>Total Quantity:</b>	3
<b>Manufacturer:</b>	Royal Custom Designs	<b>Source:</b>	Chip Norton Enterprises
<b>Address:</b>	1449 Industrial Park Street Covina, CA 91722	<b>Address:</b>	P.O. Box 140686 Dallas, TX 75214
<b>Phone</b>	626.967.5261	<b>Phone</b>	214.500.7519
<b>Fax</b>	626.967.5324	<b>Fax</b>	
<b>Contact</b>	See Source	<b>Contact</b>	Chip Norton
<b>Email</b>	www.royalcustomdesigns.com	<b>Email</b>	chip@chipnortonenterprisesna.com
<b>Web</b>		<b>Web</b>	www.nortonenterprisesna.com

---

**Description:** Nightstand with (4) flush inset drawers, design based around Bernhardt Hospitality Bon  
Maison Bachelor's Chest

**Material/Finish:** Maple Solids and Veneers with Toffee stain, semi-fill satin sheen, catalyzed varnish finish. Furniture  
finishing techniques to involve "distressing" to evoke a sense of age, "heirloom" to emulate  
the natural process of wear and "hand-wiped glazes" that accentuate the uniqueness of the piece.  
Where indicated, provide 1/4" clear glass with pencil polished edges, tempered, no bug.

**Dimensions:** 28"W x 20"D x 30"H

**Drawer Knobs:** Small - Rocky Mountain Hardware, Shift Knob CK20220 5/8", silicone bronze dark patina  
Large - Rocky Mountain Hardware, Egg Knob CK303, silicone bronze dark patina

**Hardware:** Undermount self slides on all drawers

---

**Lead Time** 8-10 week after approval of shop drawings

---

**Required Item(s) for Designer Approval Prior to Fabrication:**

Seaming Diagram  Strike-Off  Finish Sample  Cutting  Shop Dwgs  Prototype  Flame Certificate  Other...

**Instructions:**

- Install per manufacturers recommendations.

SELSER SCHAEFER ARCHITECTS

**Project Name:** Cherokee Nation Entertainment  
Cherokee Tower Renovation

**Item Number:** CS-FURN16

**Issue Date:** 10/2/13

**Item Description:** Nightstand

**Revision(s):** Issue 02

**Area Name:** Chief's Suite King Bedroom  
Chief's Suite Double Queen Bedroom

---

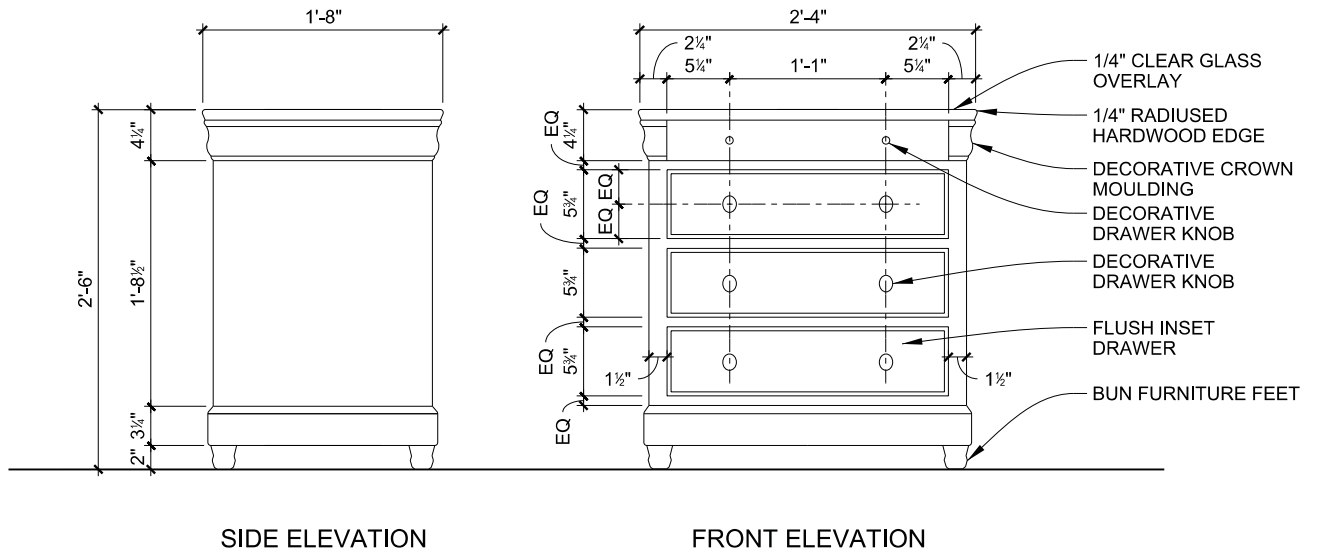
**Item Pricing:**

**Total Quantity:** 3

**Manufacturer:** Royal Custom Designs

**Source:** Chip Norton Enterprises

---



SELSER SCHAEFER ARCHITECTS

**Project Name:** Cherokee Nation Entertainment  
Cherokee Tower Renovation

**Item Number:** CS-FURN16

**Issue Date:** 10/2/13

**Item Description:** Nightstand

**Revision(s):** Issue 02

**Area Name:** Chief's Suite King Bedroom  
Chief's Suite Double Queen Bedroom

---

**Item Pricing:**

**Total Quantity:** 3

**Manufacturer:** Royal Custom Designs

**Source:** Chip Norton Enterprises

---



INSPIRATION PIECE