

Three Bedroom Housing Unit Housing Authority of the Cherokee Nation Tahlequah, Oklahoma



LAND SURVEYORS & ENGINEERS

SCOTT & ASSOCIATES, INC.
Land Surveyors & Engineers
CA. #1041 (PLS, PE) Exp. 6/30/11
901-B Callahan Street
Muskogee, OK 74403
Tel: (918) 682-7577
scottsurveying@suddenlinkmail.com

Jim Hullinger
Director Housing Development



NEWCOMB Associates
ARCHITECTS + ENGINEERS

190 SOUTH THREE MILE ROAD, FORT GIBSON, OKLAHOMA, 74434 (918)478-9800

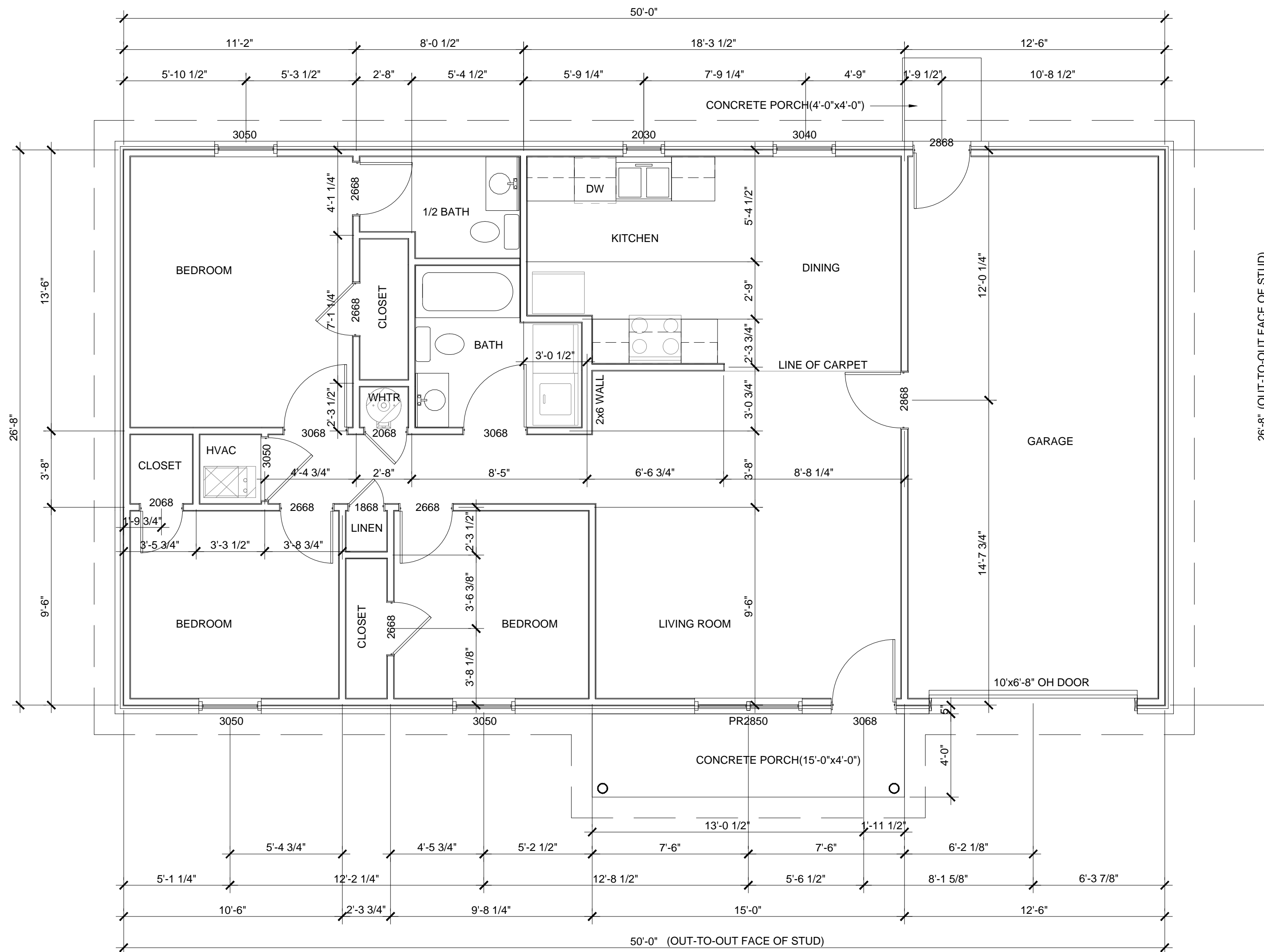
CONSTRUCTION AREAS		
HEATED/COOLED AREA	=	1004 SF
PORCH	=	60 SF
GARAGE	=	329 SF

INDEX OF DRAWINGS:	
SHEET A1.0	FLOOR PLAN
SHEET A2.0	ELEVATIONS
SHEET E1.0	ELECTRICAL PLAN

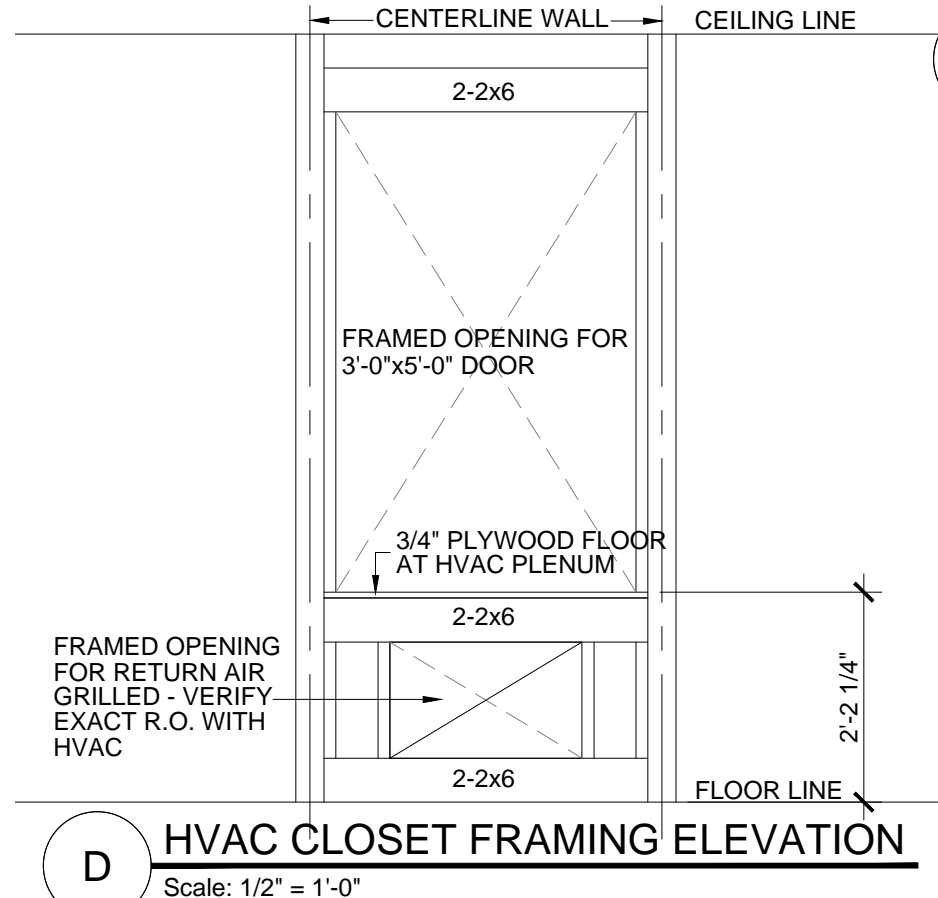
SET NUMBER

PROJECT NO. 033112

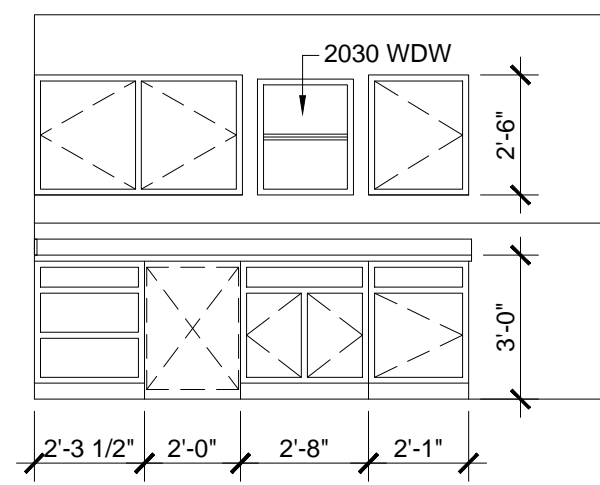
DATE: MARCH 31, 2012



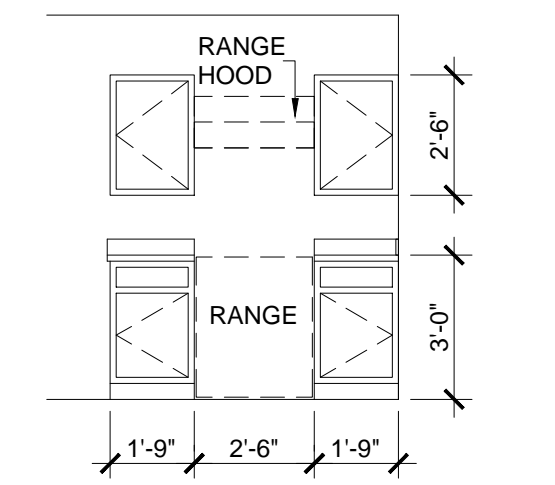
A 3 Bedroom Floor Plan
Scale: 1/4" = 1'-0"



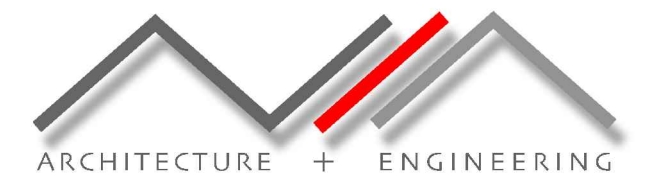
D HVAC CLOSET FRAMING ELEVATION
Scale: 1/2" = 1'-0"



C CABINET ELEVATION
Scale: 1/4" = 1'-0"



B CABINET ELEVATION
Scale: 1/4" = 1'-0"



NEWCOMB ASSOCIATES
ARCHITECTS + ENGINEERS, INC.

190 South Three Mile Road
Fort Gibson, Oklahoma 74434
P: 918.478.9800
F: 918.478.9705
www.newcombae.com

The drawings and the designs shown are property of Newcomb Associates Architecture + Engineering, Inc. The reproduction, copying, or other use of these drawings without written consent is prohibited. Any infringement will be subject to legal action.



Certificate of Authority: ca00433
Expires: June 30, 2013

Project Identification

Housing Authority of the Cherokee Nation
Tahlequah, Oklahoma

License 01-033112

Sheet Info

Project No: 030612100 - License 01
Project Manager: Jim Newcomb, AIA, PE
Project Architect: Jim Newcomb, AIA, PE

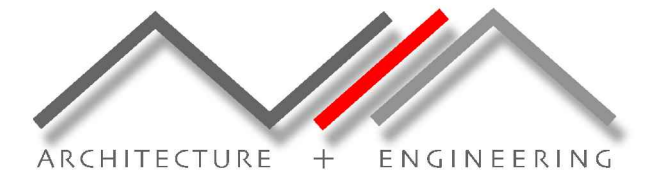
Sheet Title

3 Bedroom Floor Plan
Cabinet Elevations
HVAC Closet Framing Elevation

NON-ACCESSIBLE UNIT

Sheet Number

A1.0



NEWCOMB ASSOCIATES
ARCHITECTS + ENGINEERS, INC.

190 South Three Mile Road
Fort Gibson, Oklahoma 74434
P: 918.478.9800
F: 918.478.9705
www.newcombae.com

The drawings and the designs shown are property of Newcomb Associates Architecture + Engineering, Inc. The reproduction, copying, or other use of these drawings without written consent is prohibited. Any infringement will be subject to legal action.



Certificate of Authority: ca00433
Expires: June 30, 2013

Project Identification

Housing Authority of the Cherokee Nation
Tahlequah, Oklahoma

License 01-033112

Sheet Info

Project No: 030612100 - License 01
Project Manager: Jim Newcomb, AIA, PE
Project Architect: Jim Newcomb, AIA, PE

Sheet Title

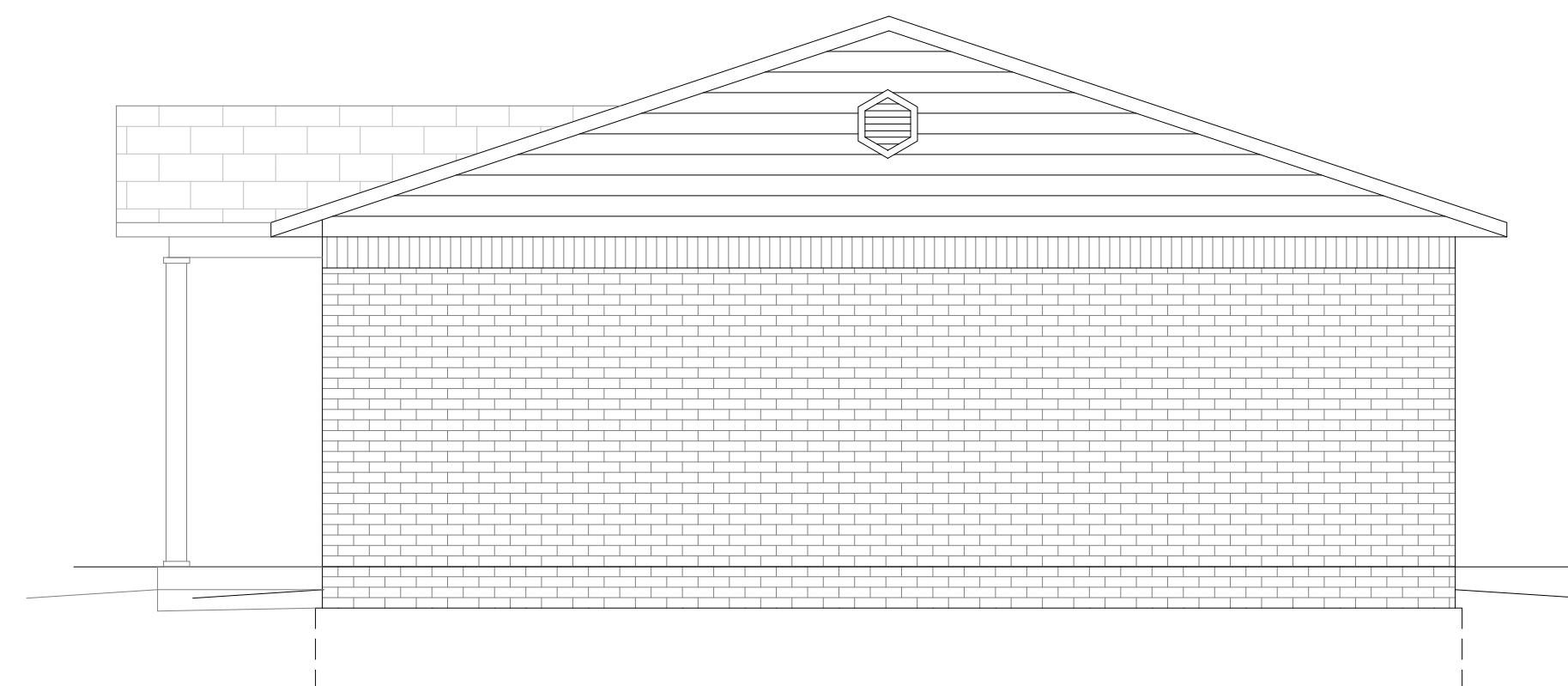
3 Bedroom Exterior Elevations

Sheet Number

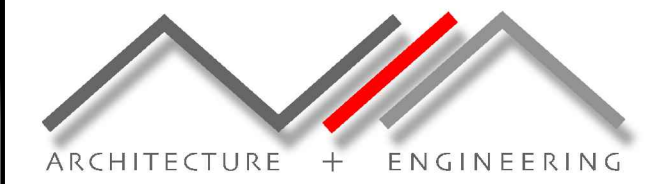
A2.0



B 3 Bedroom Front Elevation
Scale: 1/4" = 1'-0"



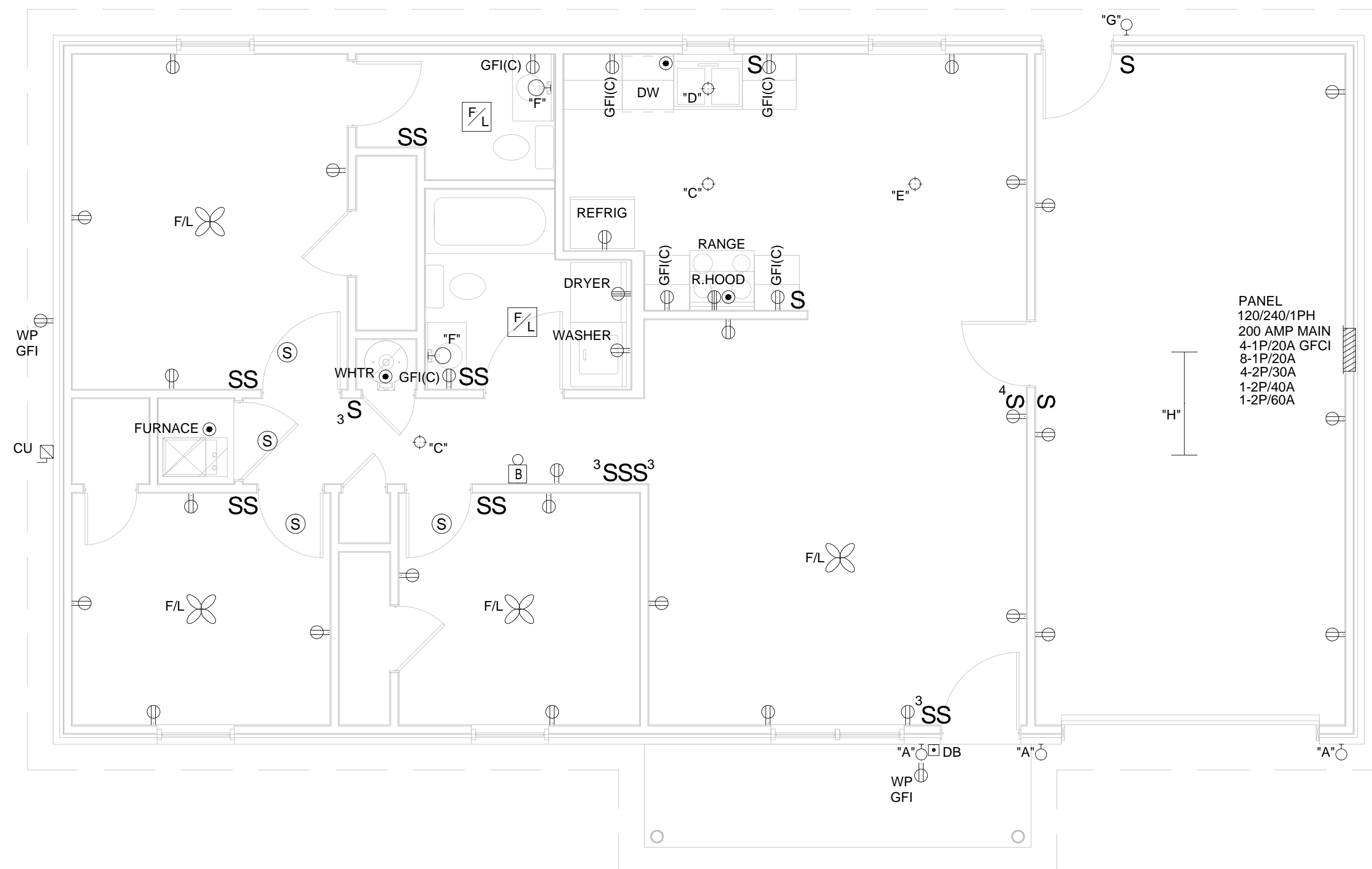
A Side Elevation
Scale: 1/4" = 1'-0"



NEWCOMB ASSOCIATES
ARCHITECTS + ENGINEERS, INC.

190 South Three Mile Road
Fort Gibson, Oklahoma 74434
P: 918.478.9800
F: 918.478.9705
www.newcombae.com

The drawings and the designs shown are property of Newcomb Associates Architecture + Engineering, Inc. The reproduction, copying, or other use of these drawings without written consent is prohibited. Any infringement will be subject to legal action.



PANEL
120/240/1PH
200 AMP MAIN
4-1P/20A GFCI
8-1P/20A
4-2P/30A
1-2P/40A
1-2P/60A

A 3 Bedroom Electrical Plan
Scale: 1/4" = 1'-0"

Project Identification
Housing Authority of the Cherokee Nation
Tahlequah, Oklahoma

License 01-033112

Sheet Info
Project No: 030612100 - License 01
Project Manager: Jim Newcomb, AIA, PE
Project Architect: Jim Newcomb, AIA, PE

Sheet Title
3 Bedroom Electrical Plan

Sheet Number
E1.0