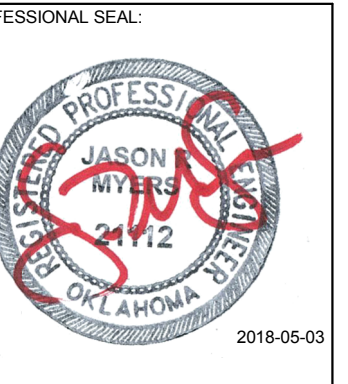


**James R. Childers  
Architect, Inc.**  
45 South 4th Street  
Fort Smith, AR 72901  
479-783-2480  
www.childersarchitect.com



CONSULTANT LOGO:

**Myers-Beatty  
Engineering, PLLC**  
OK CA 4899  
2411 Fayetteville Road, Suite B  
Van Buren, Arkansas 72956  
Ph (479) 474-4412 Fax (479) 474-4413  
www.myers-engr.com



**CHEROKEE NATION ENTERTAINMENT  
TAHLEQUAH CASINO**  
TAHLEQUAH, OKLAHOMA

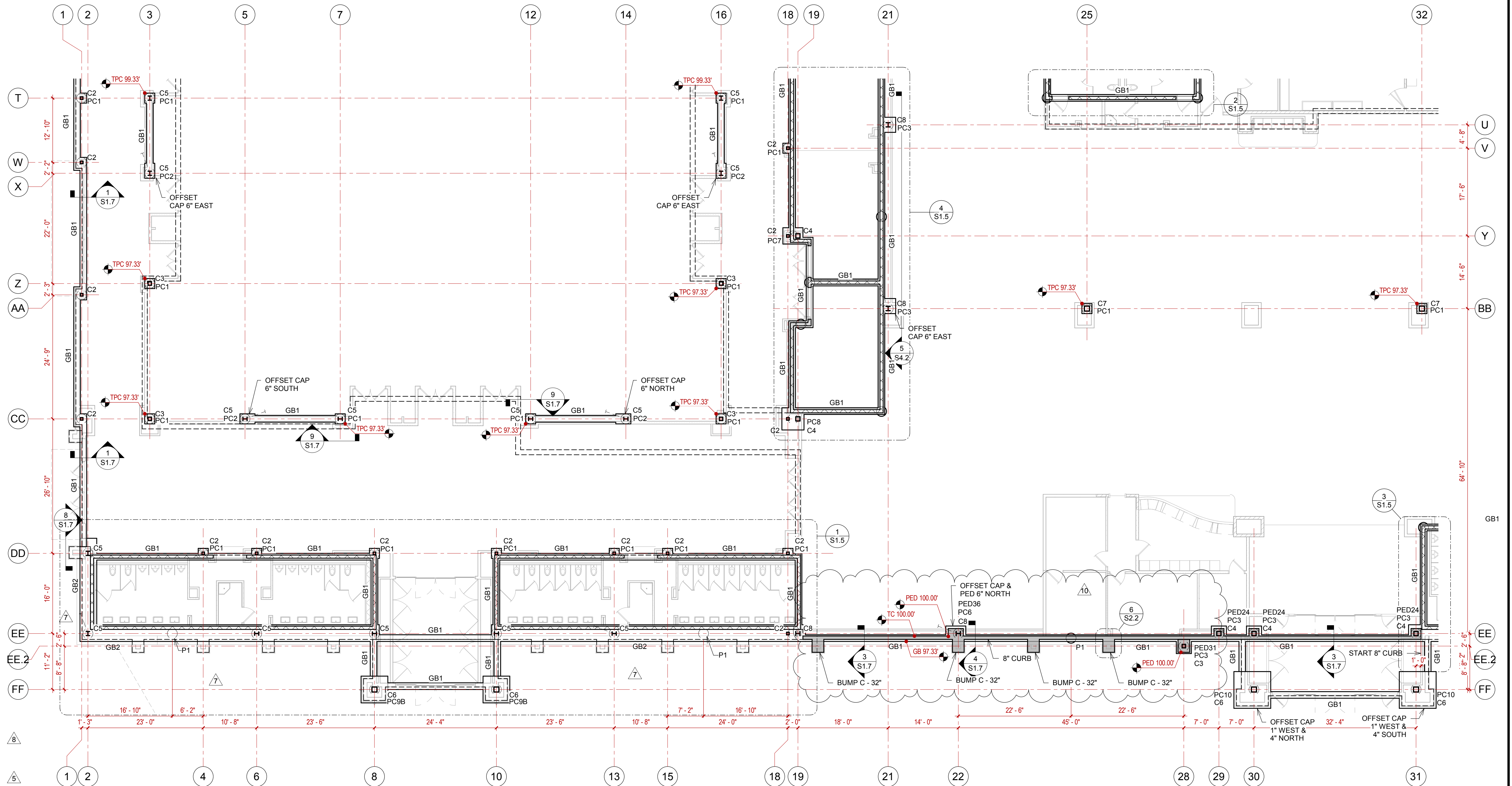
PROJECT PHASE:  
**BID PACKAGE 02  
(100%SET)**

#	DATE	DESCRIPTION
1	04/05/18	ADDENDUM #01
5	04/27/18	ADDENDUM #05
7	05/08/18	ADDENDUM #07
8	05/11/18	ADDENDUM #08
10	05/22/18	ADDENDUM #10

DATE: **03/27/18** JOB NUMBER: **17-06**

SHEET NUMBER:  
**S1.3**

FOUNDATION PLAN  
AREA B



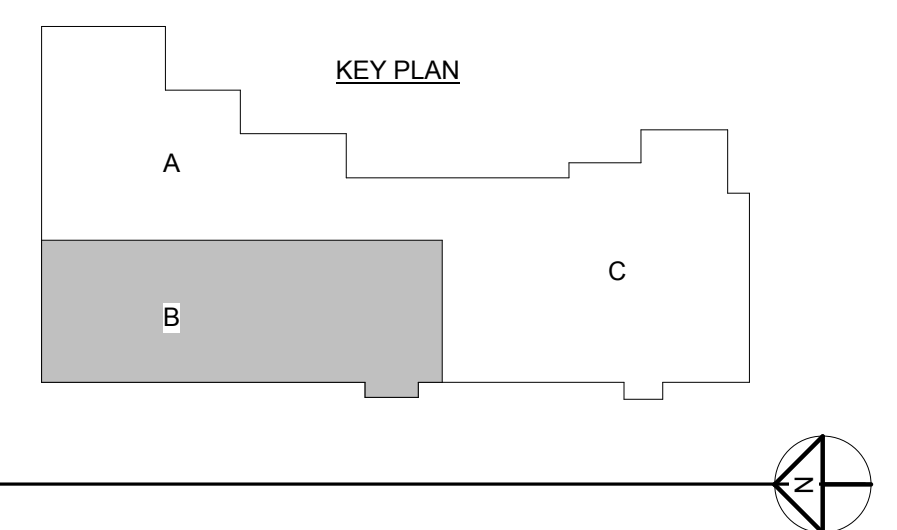
GRADE BEAM SCHEDULE		
FTG MARK	WIDTH	THICKNESS
GB1	1' - 4"	2' - 0"
GB2	3' - 4"	2' - 0"

CONCRETE PEDESTAL SCHEDULE		
PED MARK	LENGTH	WIDTH
PED24	2' - 0"	2' - 0"
PED31	2' - 7"	2' - 4"
PED36	3' - 0"	2' - 0"

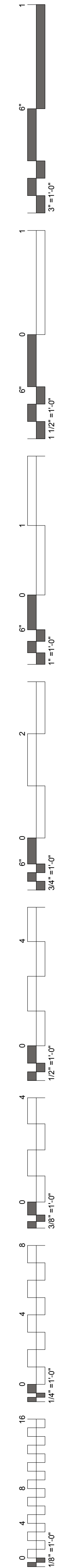
PIER CAP SCHEDULE			
CAP MARK	LENGTH	WIDTH	HEIGHT
PC1	2' - 0"	2' - 0"	2' - 0"
PC2	3' - 0"	2' - 0"	2' - 0"
PC3	3' - 0"	3' - 0"	2' - 0"
PC4	3' - 2"	3' - 2"	4' - 0"
PC5	4' - 0"	2' - 0"	2' - 0"
PC6	4' - 0"	3' - 0"	2' - 0"
PC7	4' - 0"	3' - 3"	2' - 0"
PC8	4' - 5"	4' - 5"	2' - 0"
PC9A	5' - 4"	5' - 4"	2' - 0"
PC9B	5' - 4"	5' - 4"	4' - 0"
PC10	7' - 4"	7' - 4"	4' - 0"
PC11	4' - 6"	3' - 2"	4' - 0"

STRUCTURAL STEEL COLUMN SCHEDULE	
COL MARK	SIZE
C2	HSS6X6X1/4
C3	HSS8X8X1/4
C4	HSS10X10X1/4
C5	W10X33
C6	HSS12X12X1/4
C7	HSS12X12X3/8
C8	W10X49

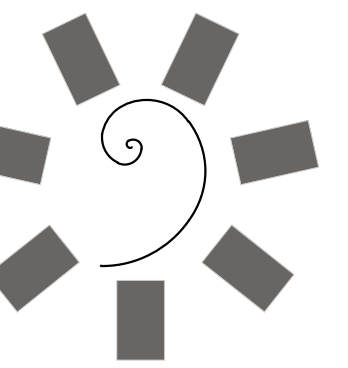
- CX - COLUMN NUMBER
- PEDX - PEDESTAL NUMBER
- PCX - PIER CAP NUMBER
- GBX - GRADE BEAM NUMBER
- PX - PIER NUMBER
- TPC - TOP OF PIER CAP
- TC - TOP OF CURB



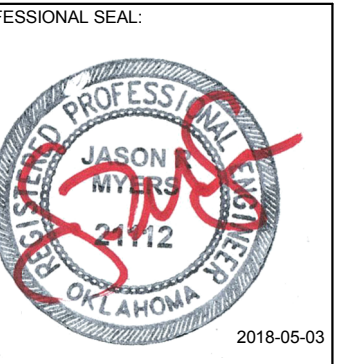
**1 FOUNDATION PLAN - AREA B**  
3/32" = 1'-0"







James R. Childers  
Architect, Inc.  
45 South 4th Street  
Fort Smith, AR 72901  
479-783-2480  
www.childersarchitect.com



CONSULTANT LOGO:  
Myers-Beatty  
Engineering, PLLC  
OK CA 4899  
2411 Fayetteville Road, Suite B  
Van Buren, Arkansas 72956  
Ph (479) 474-4412 Fax (479) 474-4413  
www.myers-engr.com



CHEROKEE NATION ENTERTAINMENT  
TAHLEQUAH CASINO  
TAHLEQUAH, OKLAHOMA

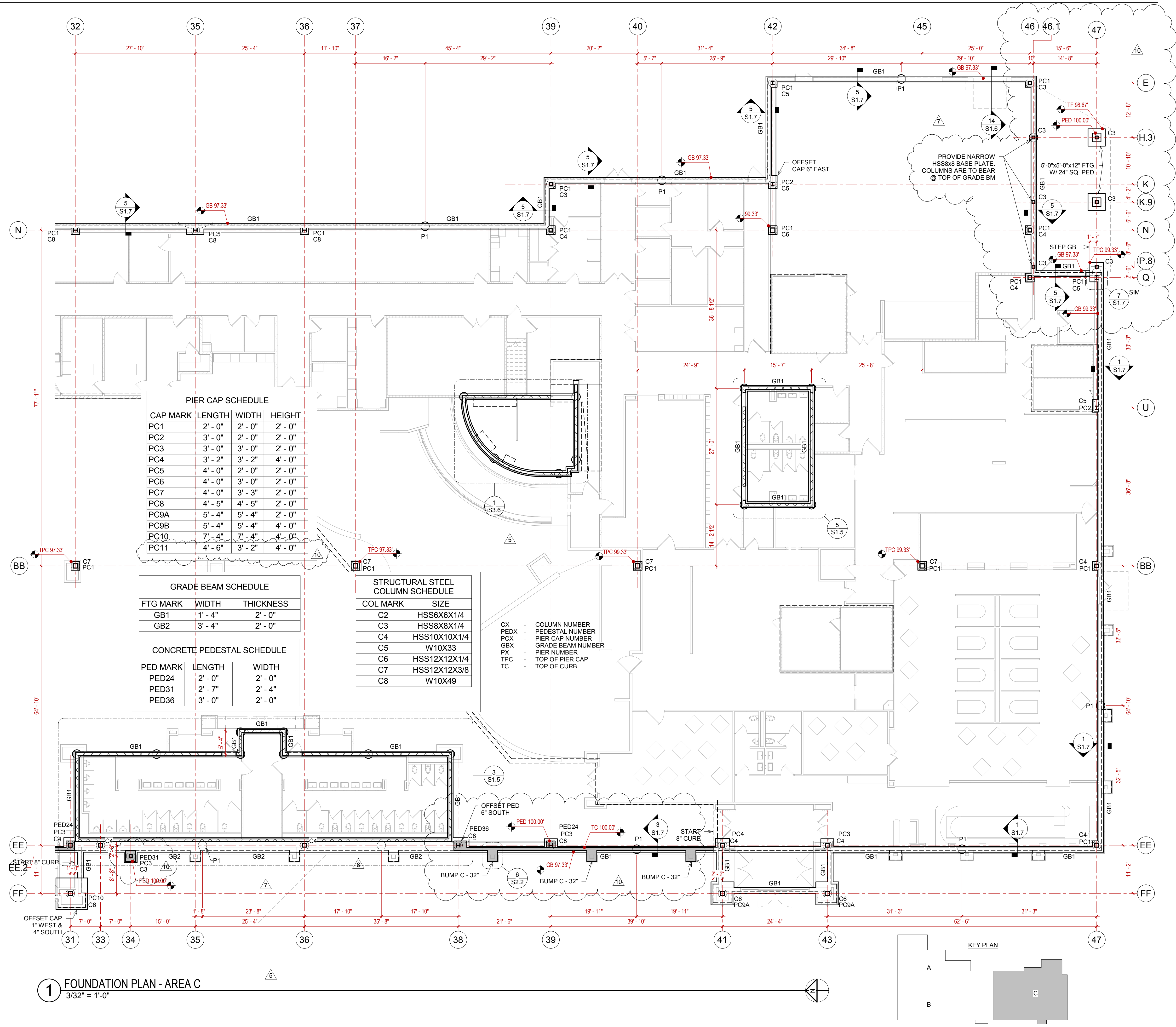
PROJECT PHASE:  
BID PACKAGE 02  
(100%SET)

#	DATE	DESCRIPTION
1	04/05/18	ADDENDUM #01
5	04/27/18	ADDENDUM #05
7	05/08/18	ADDENDUM #07
8	05/11/18	ADDENDUM #08
10	05/22/18	ADDENDUM #10

DATE: 03/27/18  
JOB NUMBER: 17-06

SHEET NUMBER:  
S1.4

FOUNDATION PLAN  
AREA C



PIER CAP SCHEDULE

CAP MARK	LENGTH	WIDTH	HEIGHT
PC1	2'-0"	2'-0"	2'-0"
PC2	3'-0"	2'-0"	2'-0"
PC3	3'-0"	3'-0"	2'-0"
PC4	3'-2"	3'-2"	4'-0"
PC5	4'-0"	2'-0"	2'-0"
PC6	4'-0"	3'-0"	2'-0"
PC7	4'-0"	3'-3"	2'-0"
PC8	4'-5"	4'-5"	2'-0"
PC9A	5'-4"	5'-4"	2'-0"
PC9B	5'-4"	5'-4"	4'-0"
PC10	7'-4"	7'-4"	4'-0"
PC11	4'-6"	3'-2"	4'-0"

GRADE BEAM SCHEDULE

FTG MARK	WIDTH	THICKNESS
GB1	1'-4"	2'-0"
GB2	3'-4"	2'-0"

CONCRETE PEDESTAL SCHEDULE

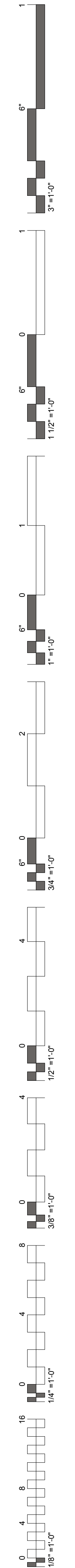
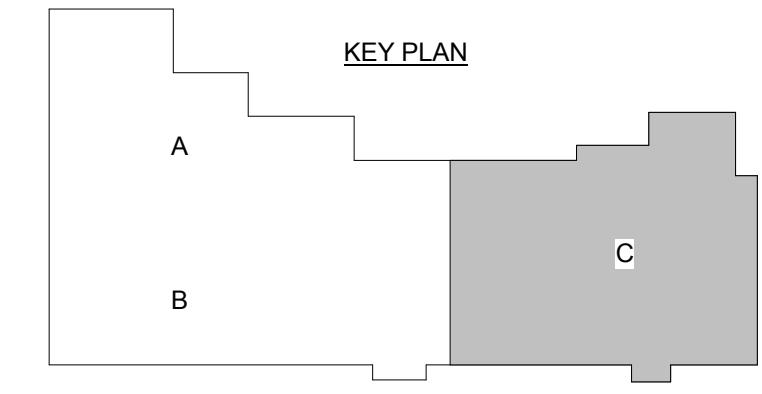
PED MARK	LENGTH	WIDTH
PED24	2'-0"	2'-0"
PED31	2'-7"	2'-4"
PED36	3'-0"	2'-0"

STRUCTURAL STEEL COLUMN SCHEDULE

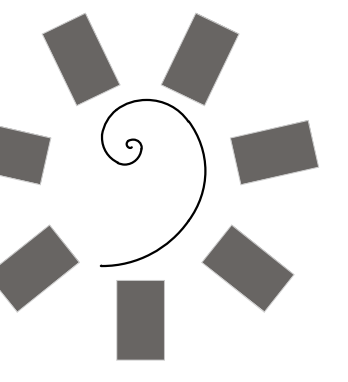
COL MARK	SIZE
C2	HSS6X6X1/4
C3	HSS8X8X1/4
C4	HSS10X10X1/4
C5	W10X33
C6	HSS12X12X1/4
C7	HSS12X12X3/8
C8	W10X49

- CX - COLUMN NUMBER
- PEDX - PEDESTAL NUMBER
- PCX - PIER CAP NUMBER
- GBX - GRADE BEAM NUMBER
- PX - PIER NUMBER
- TPC - TOP OF PIER CAP
- TC - TOP OF CURB

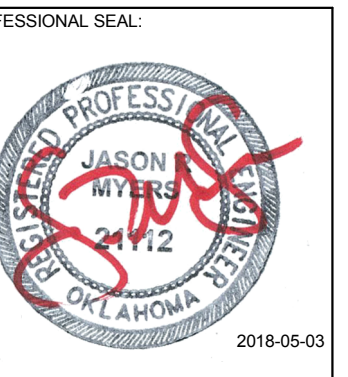
1 FOUNDATION PLAN - AREA C  
3/32" = 1'-0"







James R. Childers  
Architect, Inc.  
45 South 4th Street  
Fort Smith, AR 72901  
479-783-2480  
www.childersarchitect.com



CONSULTANT LOGO  
Myers-Beatty  
Engineering, PLLC  
OK CA 4899  
2411 Fayetteville Road, Suite B  
Van Buren, Arkansas 72956  
Ph (479) 474-4412 Fax (479) 474-4413  
www.myers-engr.com



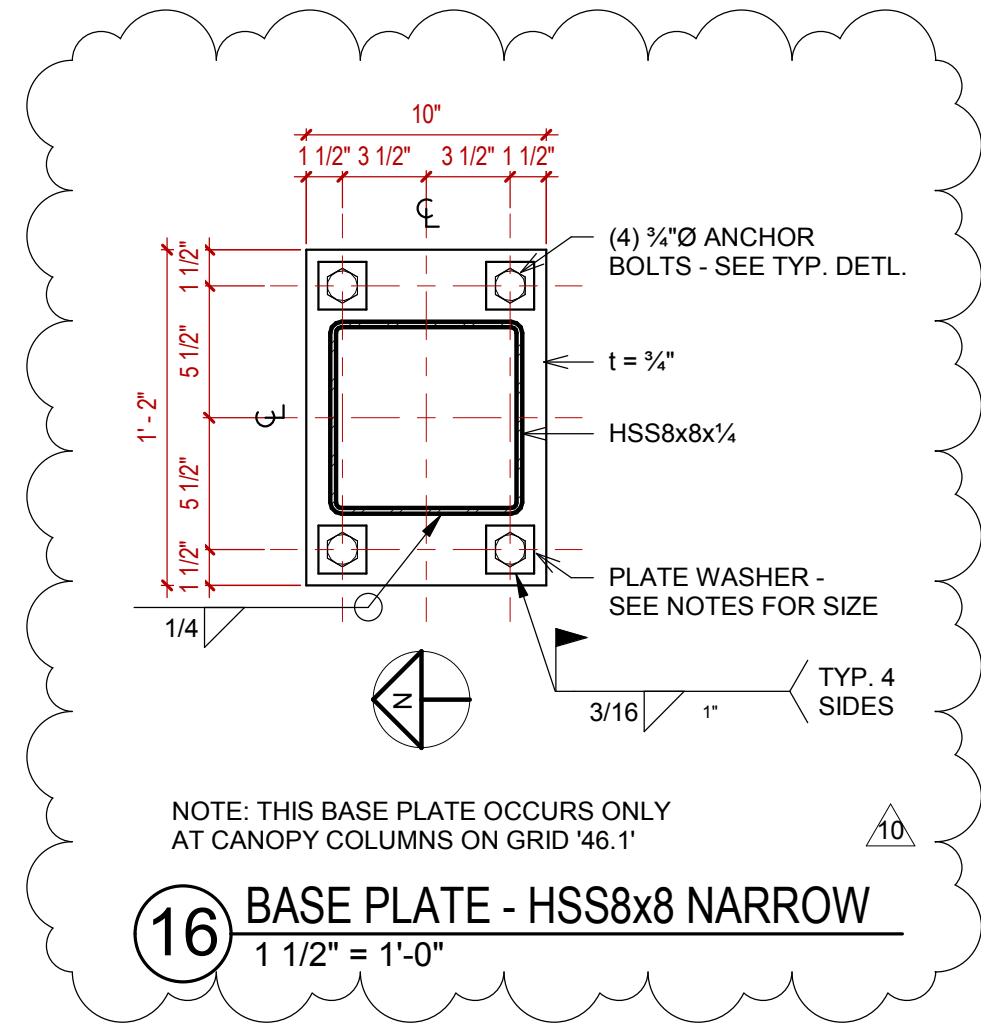
CHEROKEE NATION ENTERTAINMENT  
TAHLEQUAH CASINO  
TAHLEQUAH, OKLAHOMA

PROJECT PHASE  
BID PACKAGE 02  
(100%SET)

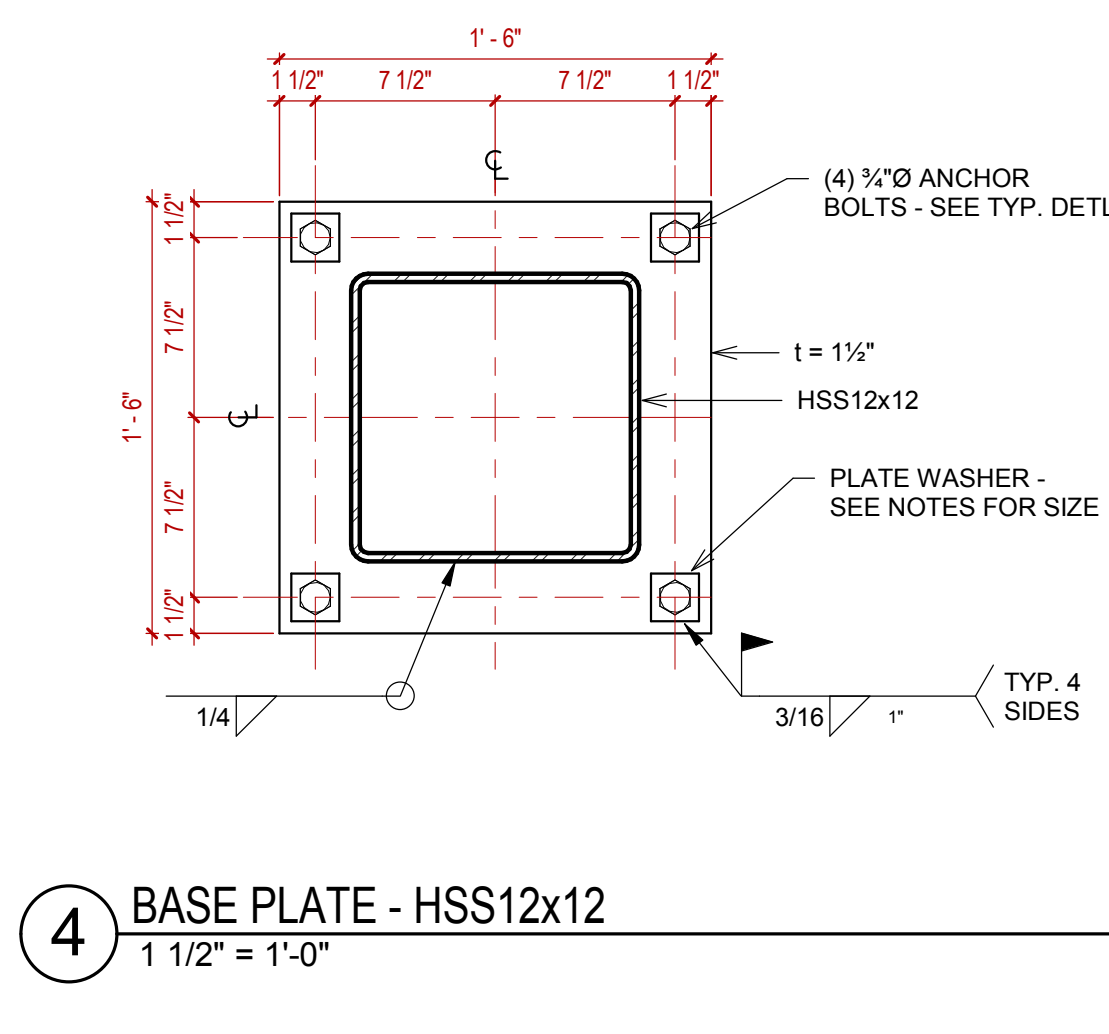
#	DATE	DESCRIPTION
5	04/27/18	ADDENDUM #05
10	05/22/18	ADDENDUM #10

DATE: 04/05/18  
JOB NUMBER: 17-06

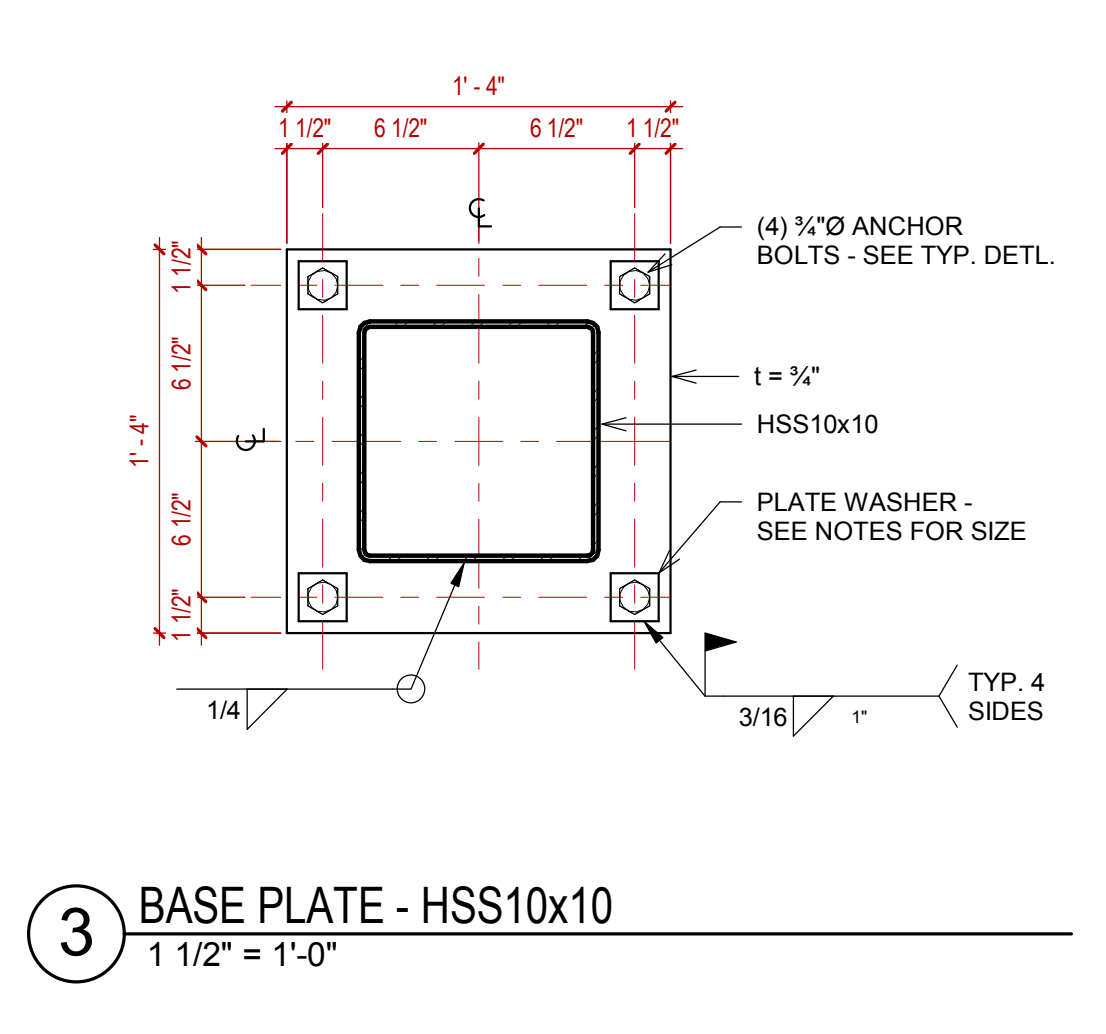
FOUNDATION  
DETAILS  
S1.6



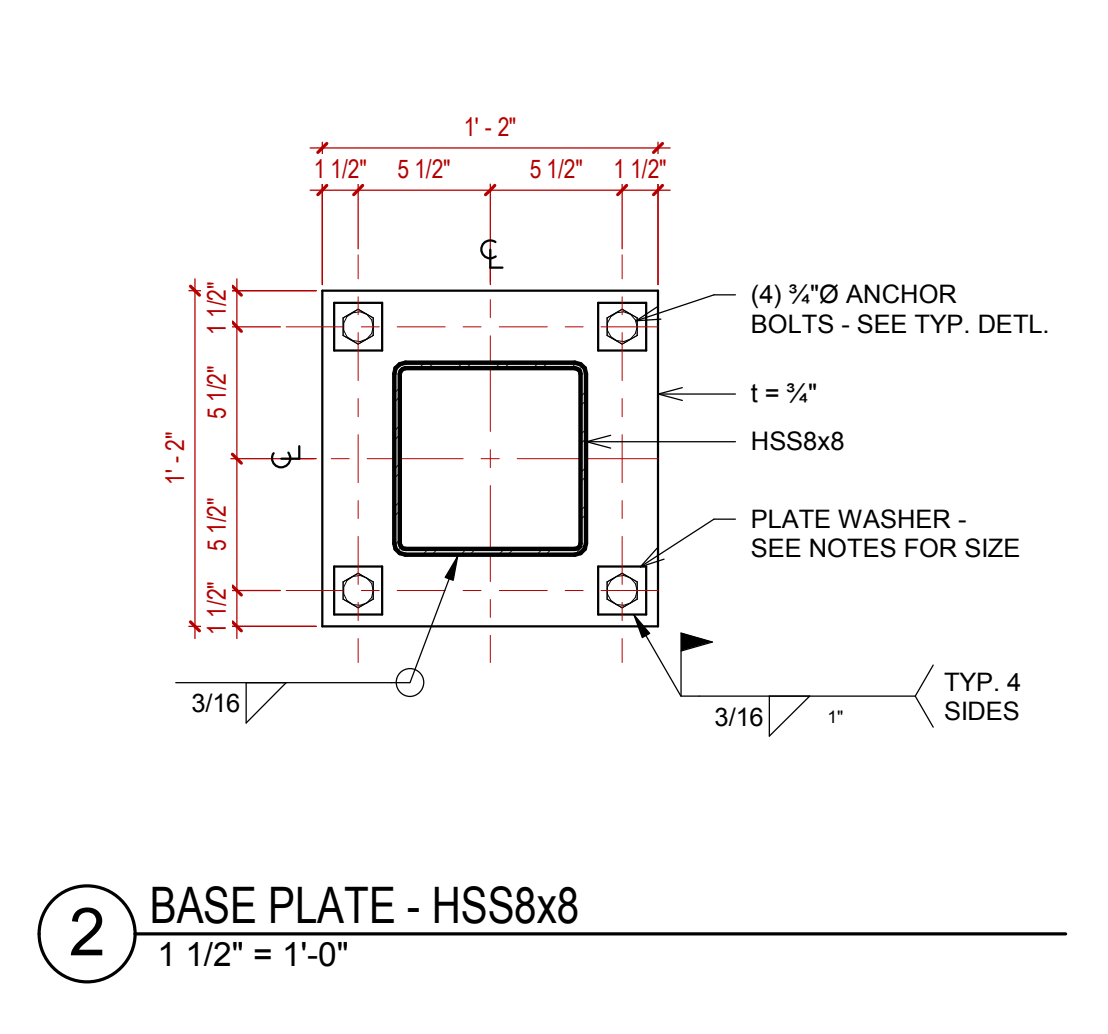
16 BASE PLATE - HSS8x8 NARROW  
1 1/2" = 1'-0"



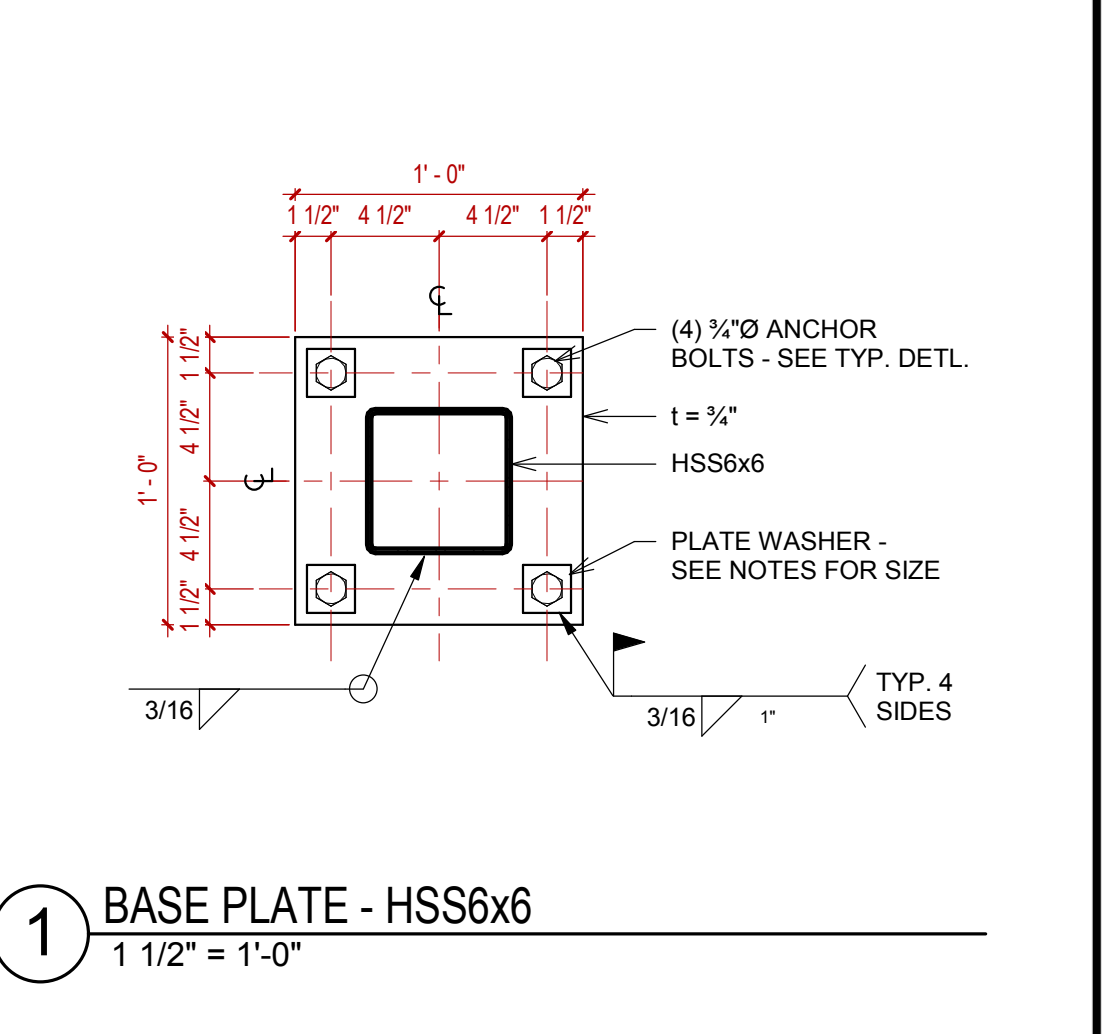
4 BASE PLATE - HSS12x12  
1 1/2" = 1'-0"



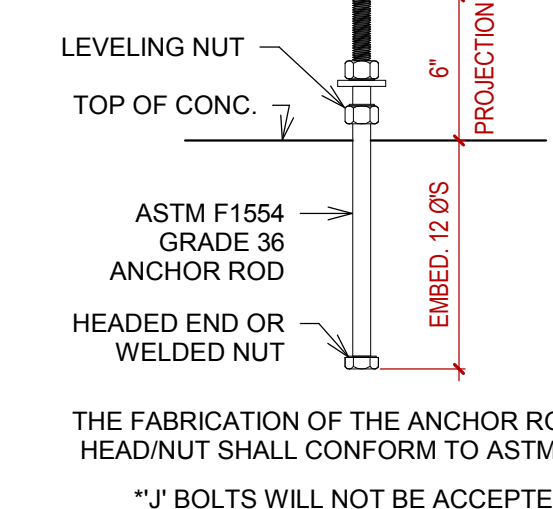
3 BASE PLATE - HSS10x10  
1 1/2" = 1'-0"



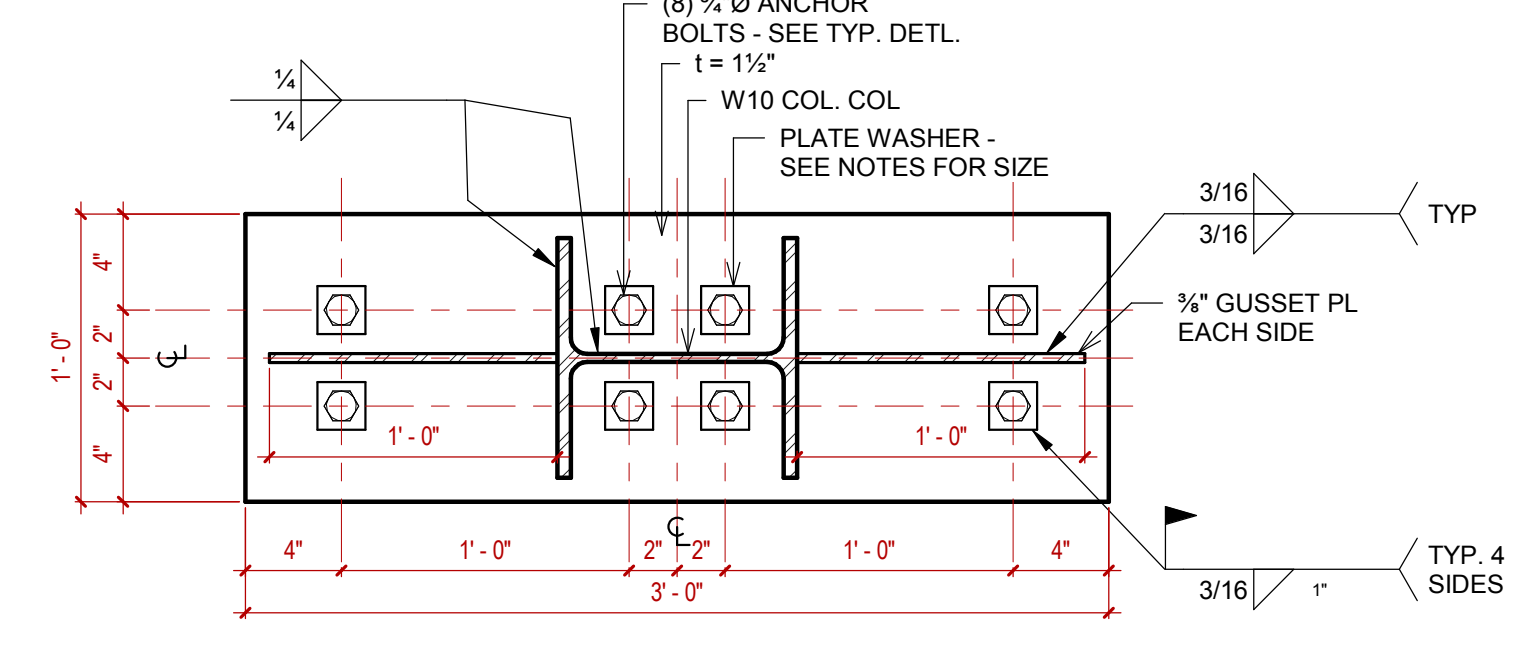
2 BASE PLATE - HSS8x8  
1 1/2" = 1'-0"



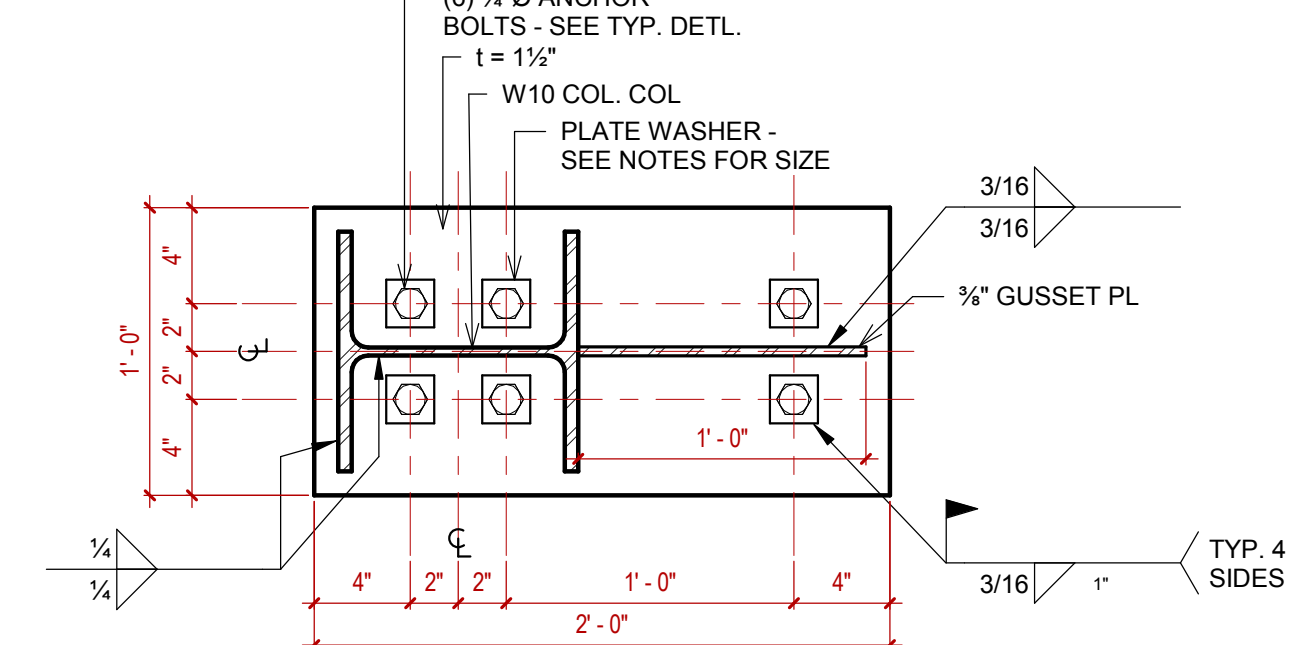
1 BASE PLATE - HSS6x6  
1 1/2" = 1'-0"



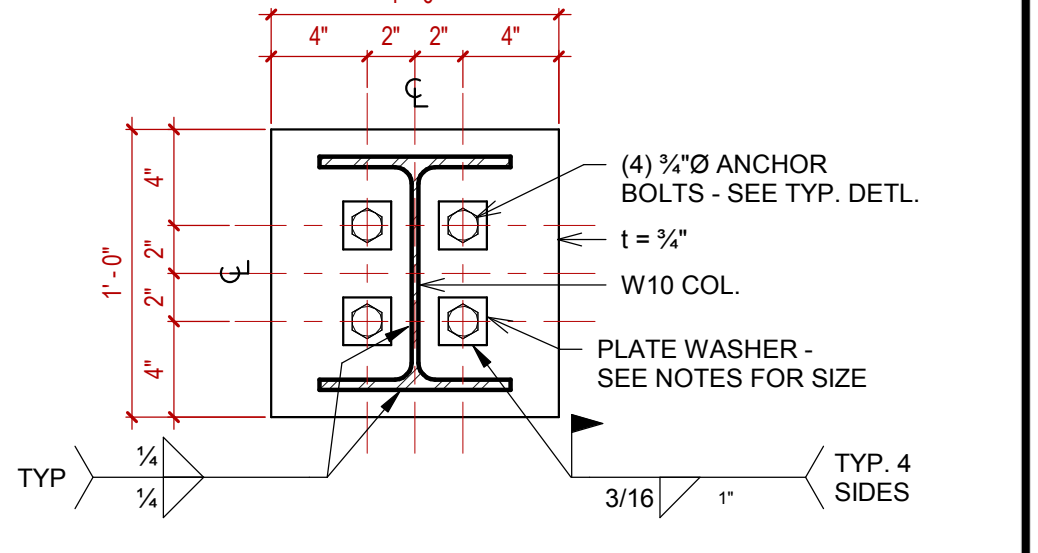
8 TYP. ANCHOR BOLT  
1 1/2" = 1'-0"



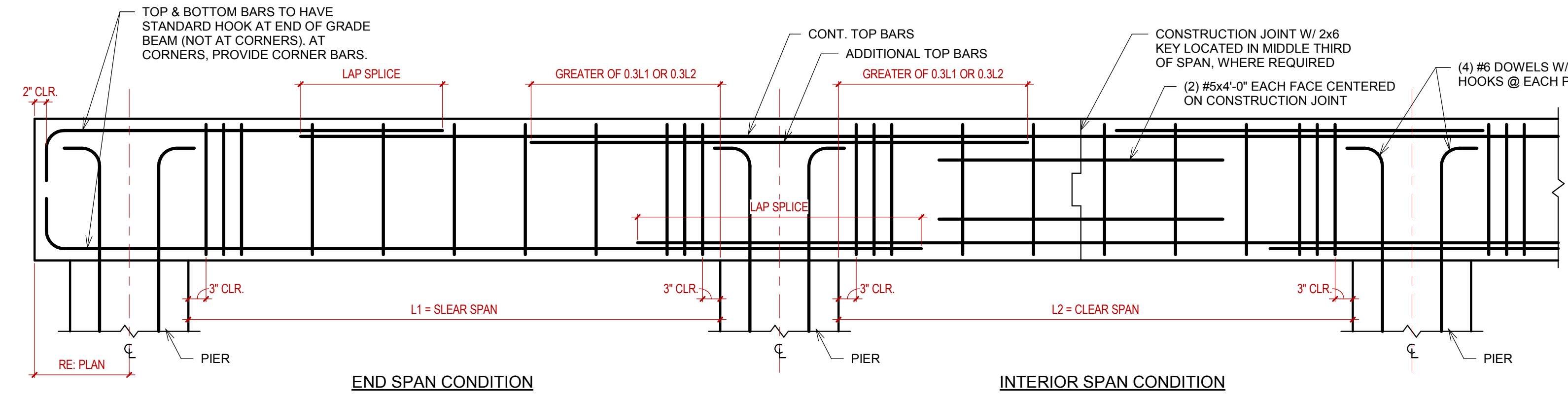
7 BASE PLATE - W10 w/ 2 BRACES  
1 1/2" = 1'-0"



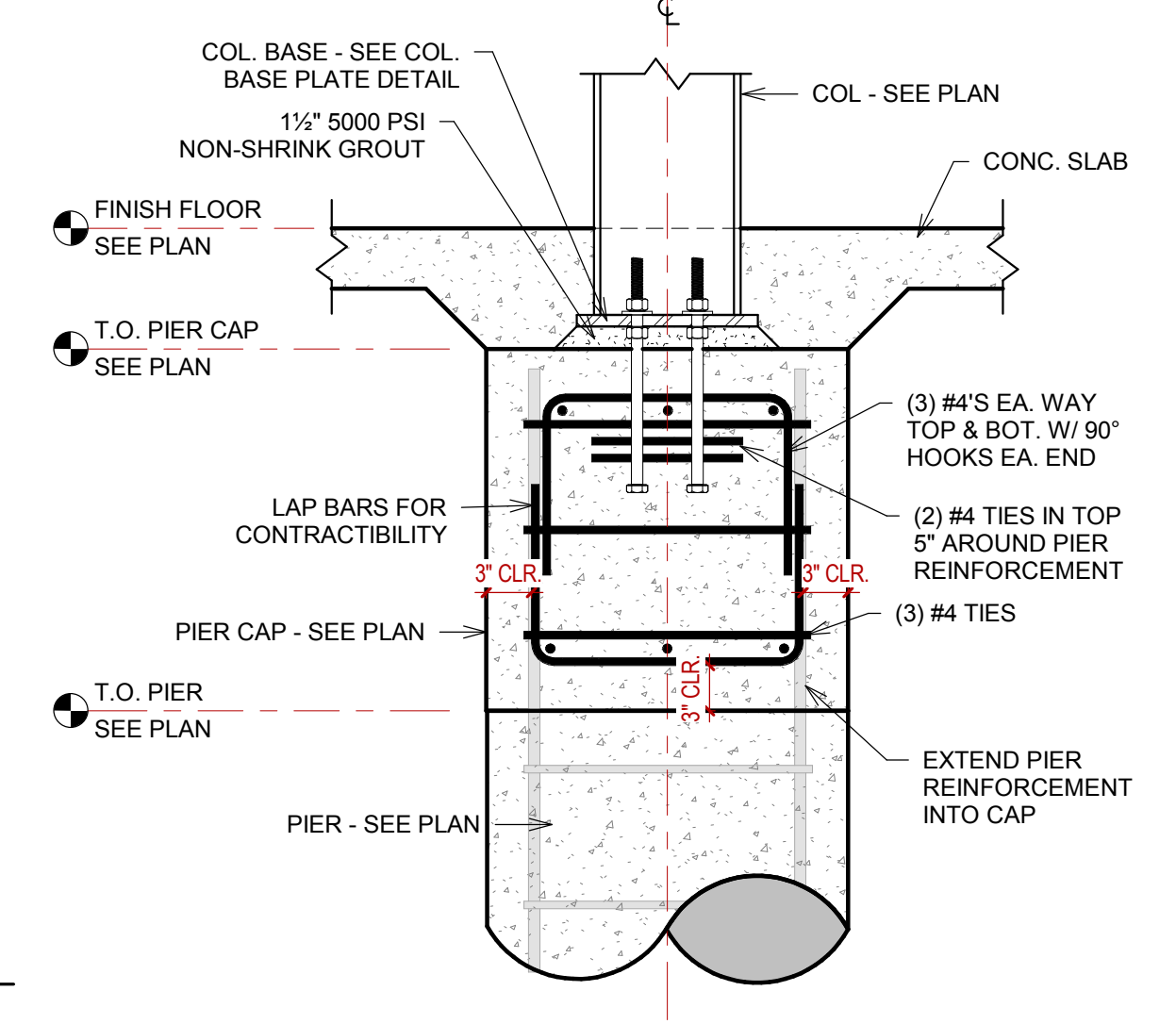
6 BASE PLATE - W10 w/ BRACE  
1 1/2" = 1'-0"



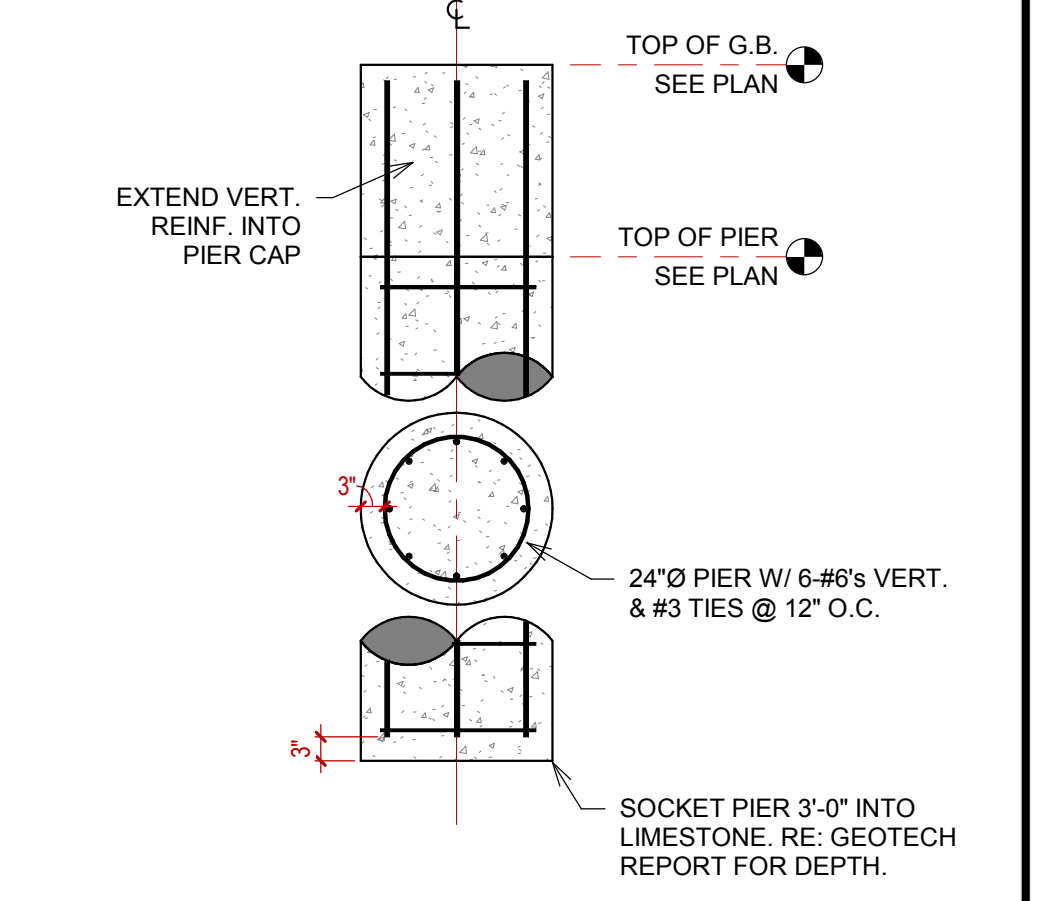
5 BASE PLATE - W10  
1 1/2" = 1'-0"



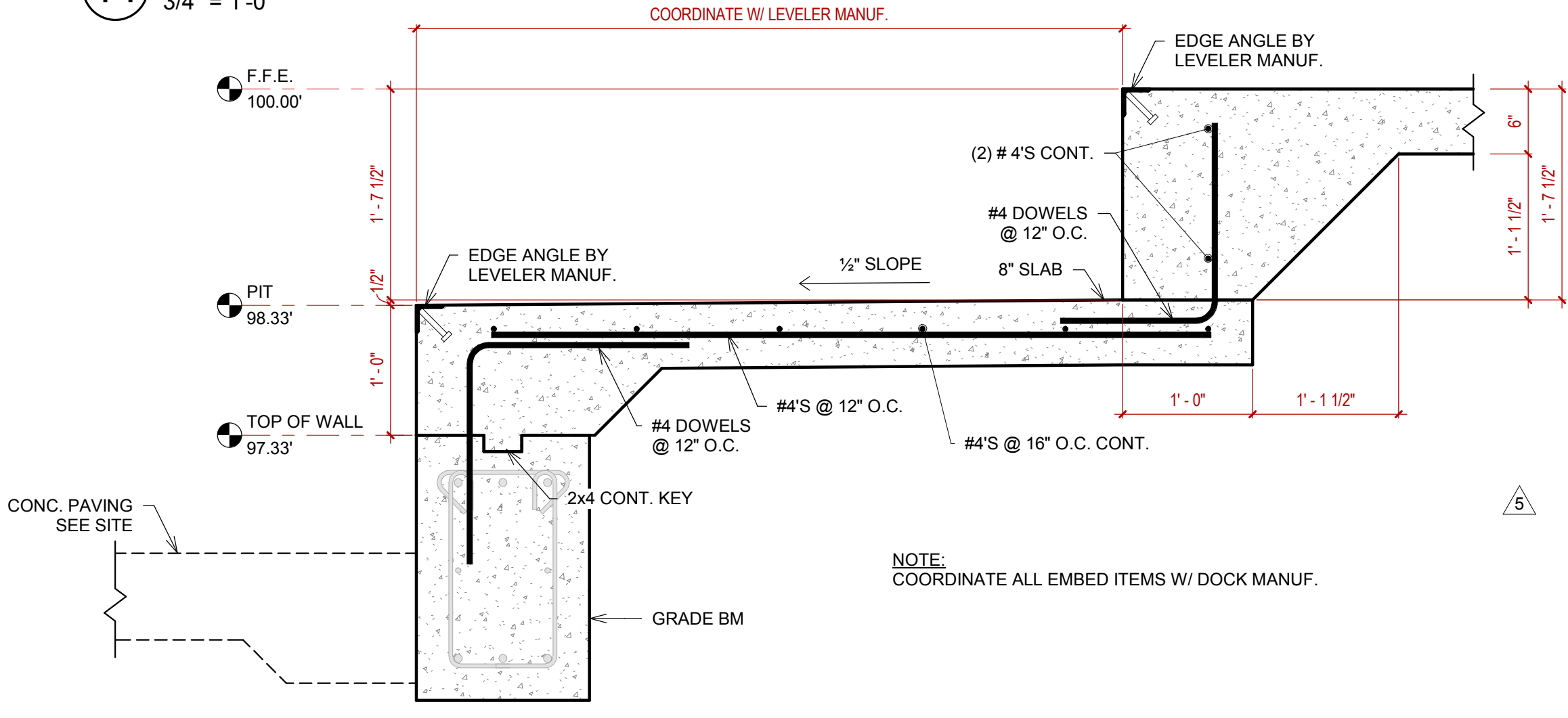
11 GRADE BEAM DIAGRAM  
3/4" = 1'-0"



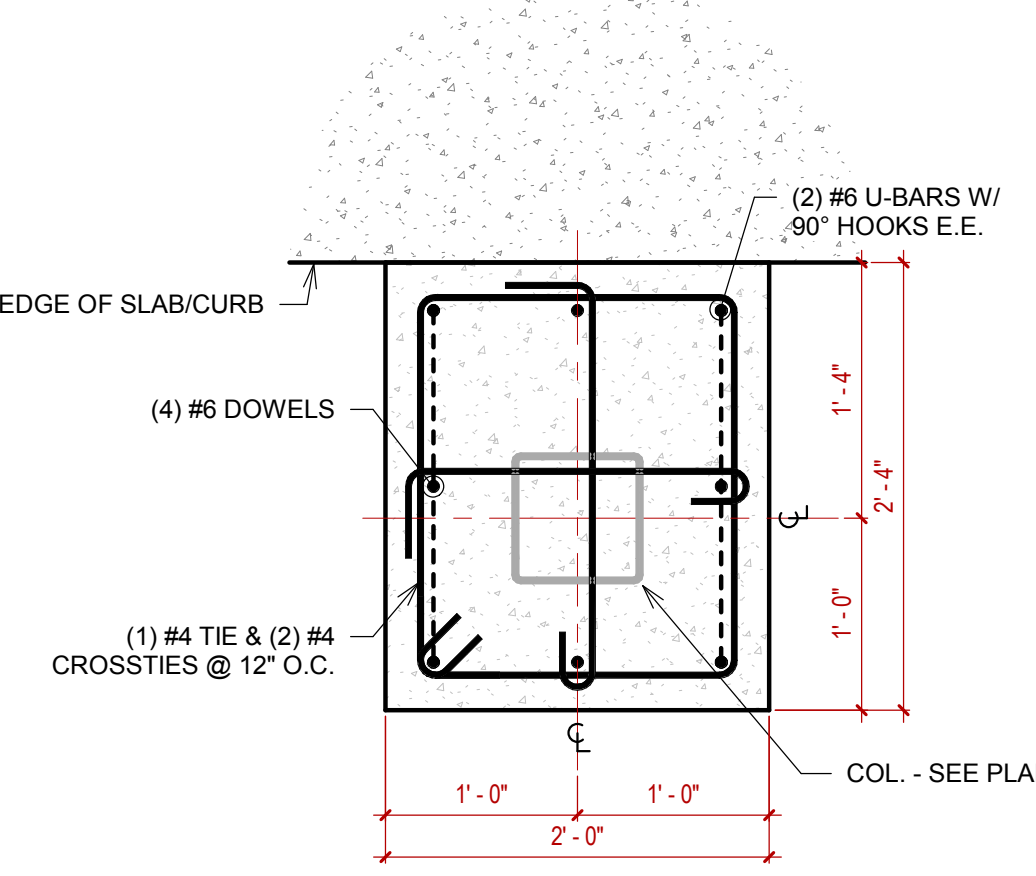
10 TYP. INTERIOR PIER CAP  
1" = 1'-0"



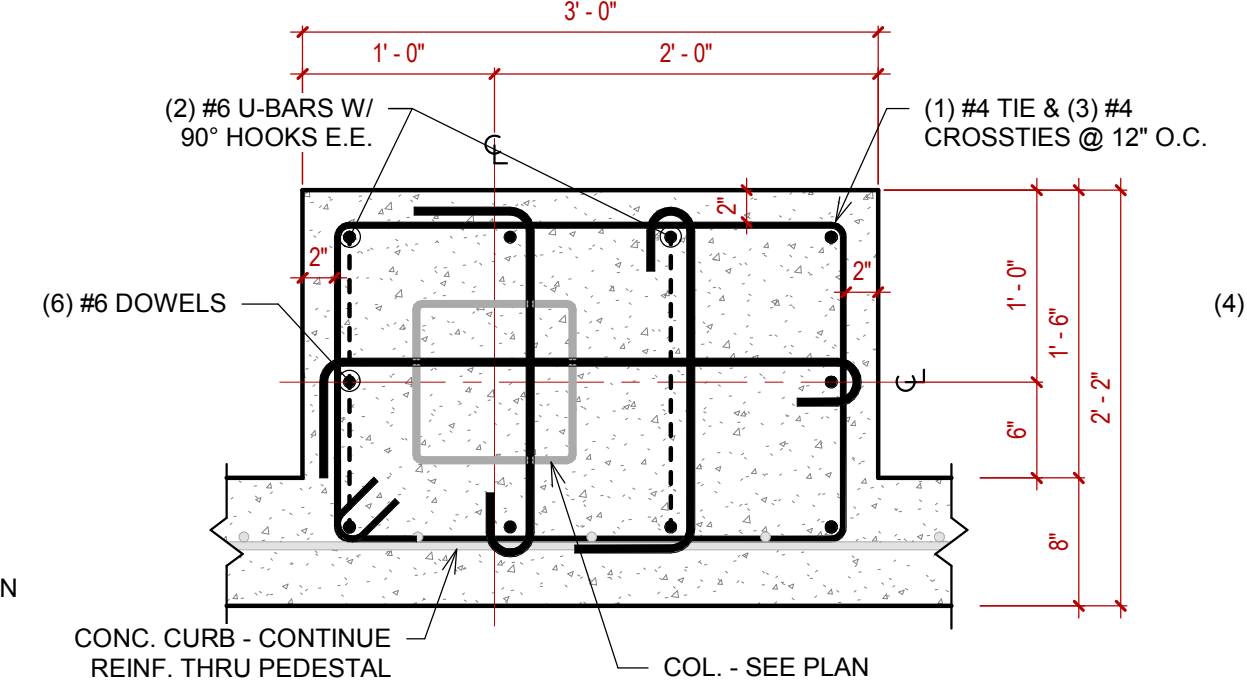
9 TYP. DRILLED PIER  
1/2" = 1'-0"



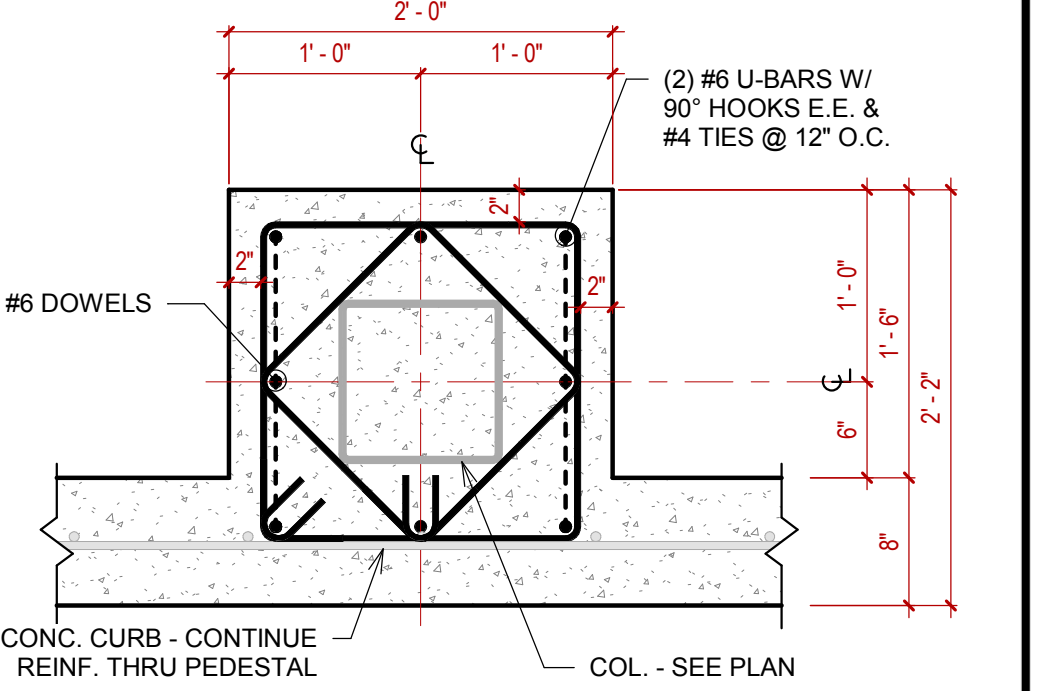
14 TYP. LEVELER PIT  
1" = 1'-0"



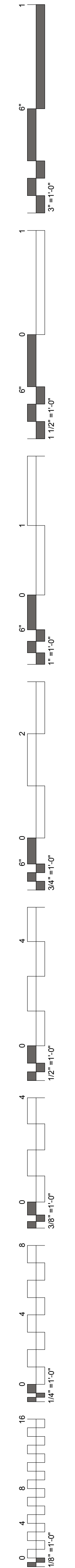
15 24"x28" CONC. PEDESTAL  
1" = 1'-0"



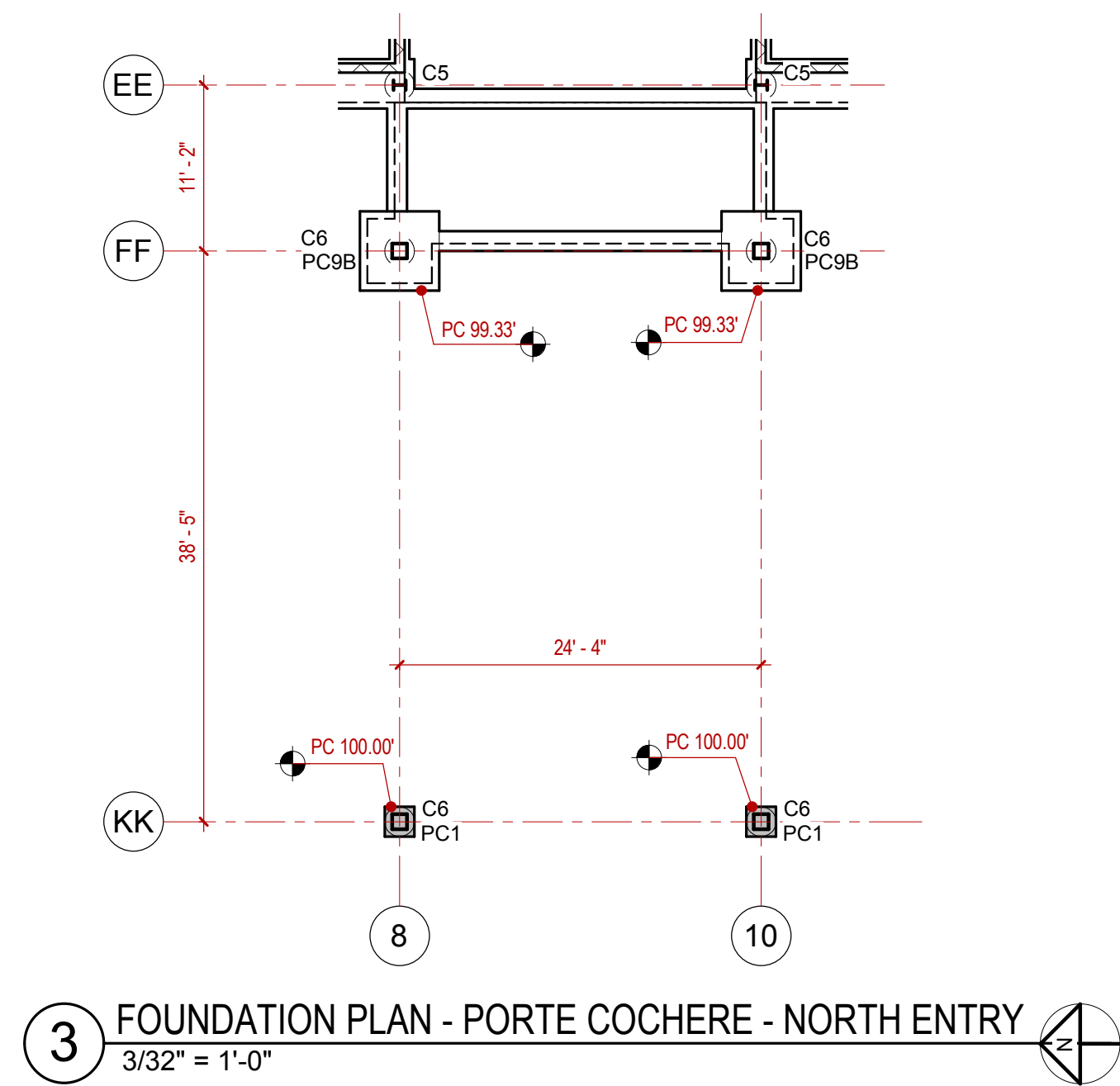
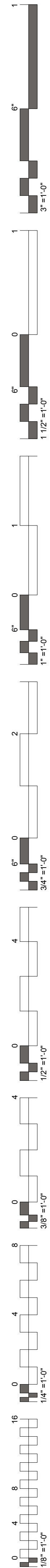
13 24"x36" CONC. PEDESTAL  
1" = 1'-0"



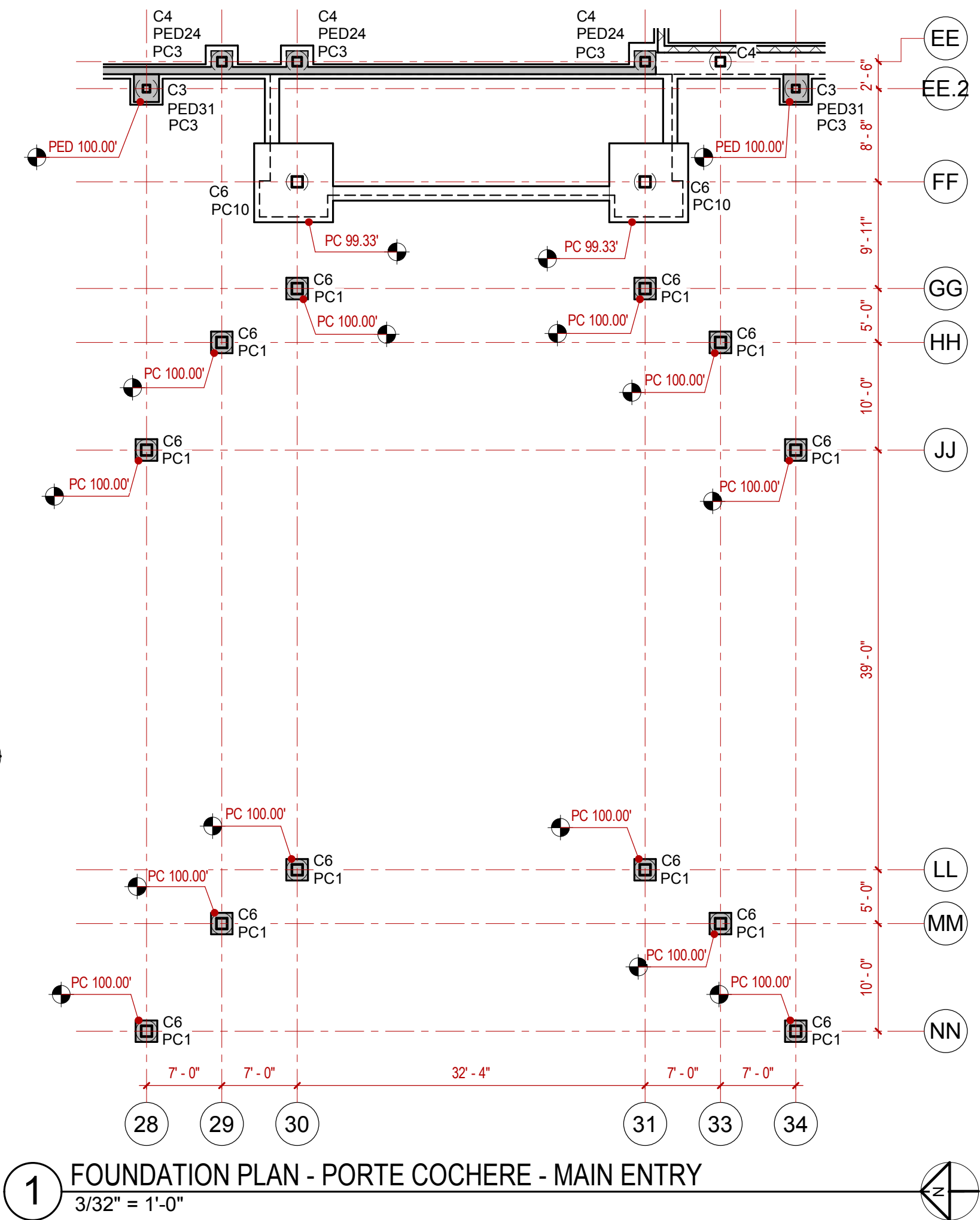
12 24"x24" CONC. PEDESTAL  
1" = 1'-0"



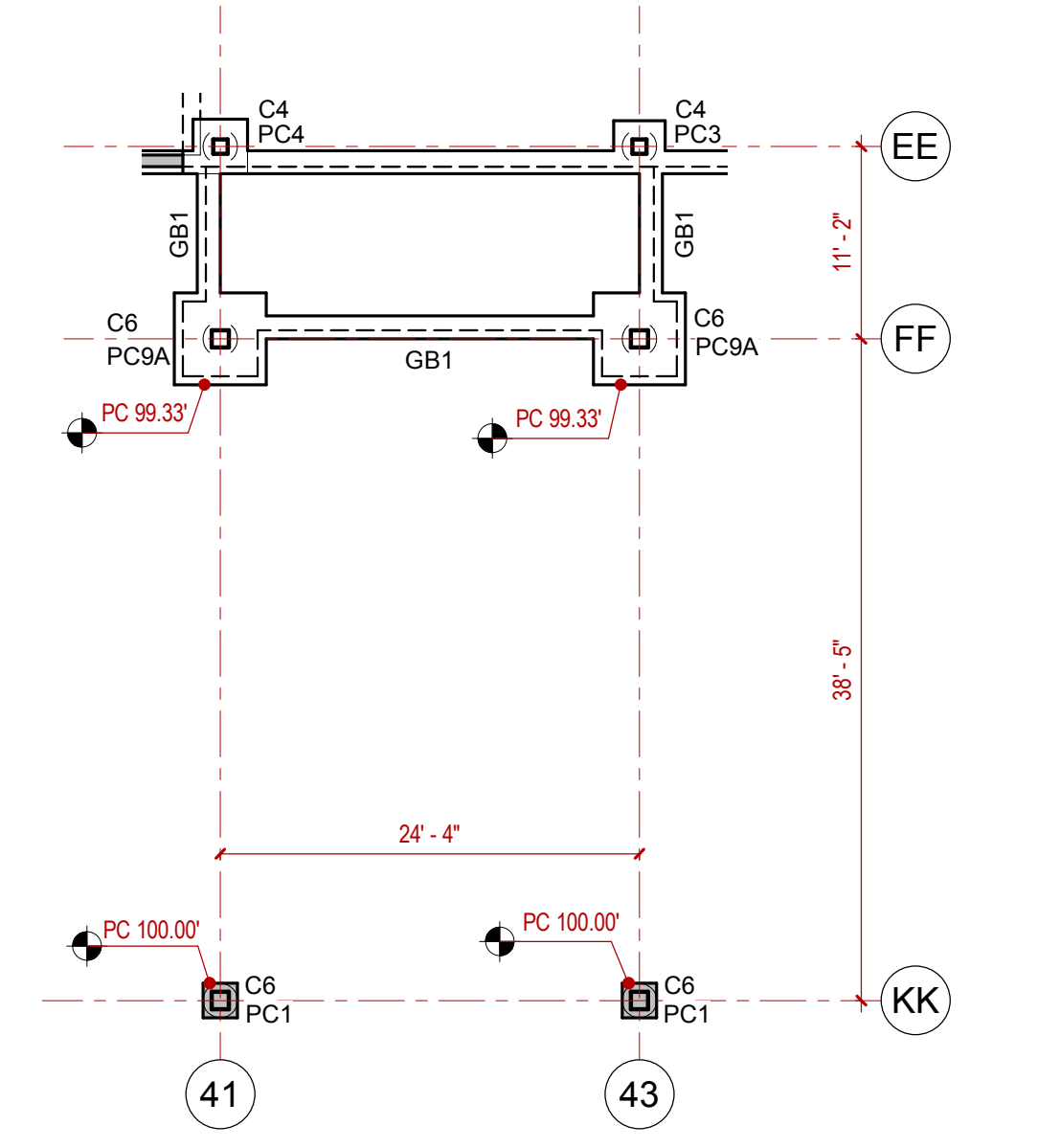




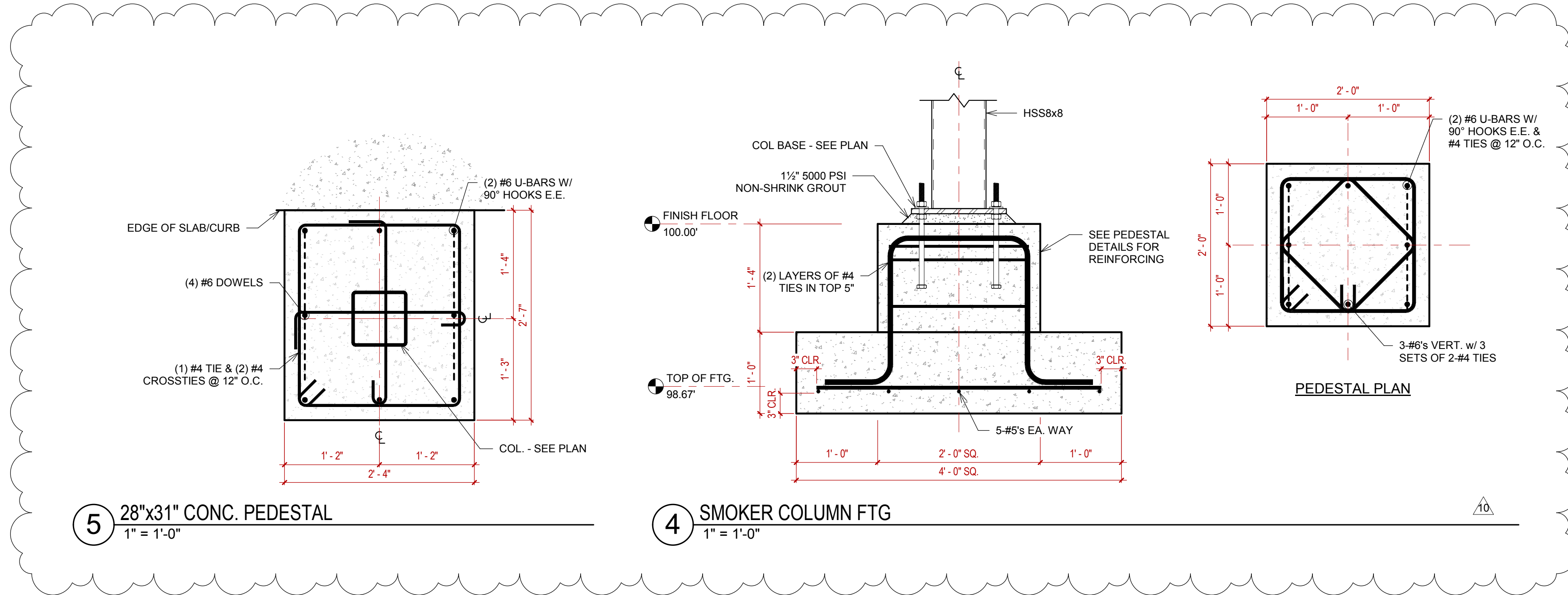
3 FOUNDATION PLAN - PORTE COCHERE - NORTH ENTRY  
3/32" = 1'-0"



1 FOUNDATION PLAN - PORTE COCHERE - MAIN ENTRY  
3/32" = 1'-0"

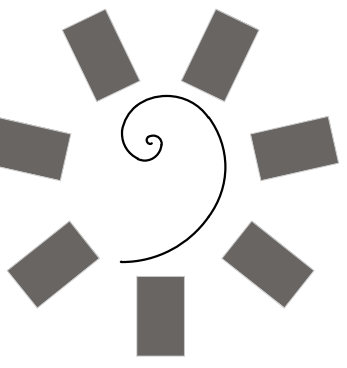


2 FOUNDATION PLAN - PORTE COCHERE - SOUTH ENTRY  
3/32" = 1'-0"

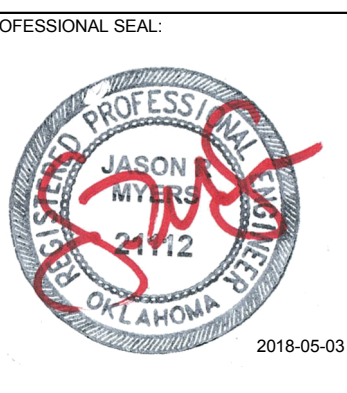


5 28"x31" CONC. PEDESTAL  
1" = 1'-0"

4 SMOKER COLUMN FTG  
1" = 1'-0"



James R. Childers  
Architect, Inc.  
45 South 4th Street  
Fort Smith, AR 72901  
479-783-2480  
www.childersarchitect.com



CONSULTANT LOGO:  
Myers-Beatty  
Engineering, PLLC  
OK CA 4899  
2411 Fayetteville Road, Suite B  
Van Buren, Arkansas 72956  
Ph (479) 474-4412 Fax (479) 474-4413  
www.myers-engr.com



CLIENT:  
CHEROKEE NATION  
Entertainment  
Cherokee  
CASINO  
TAHLEQUAH, OKLAHOMA

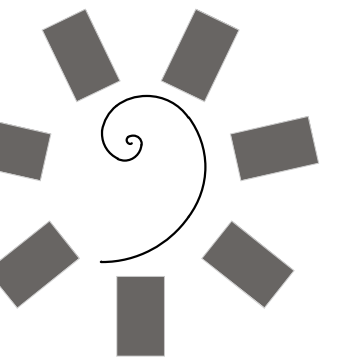
PROJECT PHASE:  
BID PACKAGE 5

REVISIONS		
#	DATE	DESCRIPTION
7	05/08/18	ADDENDUM #07
8	05/11/18	ADDENDUM #08
10	05/22/18	ADDENDUM #10

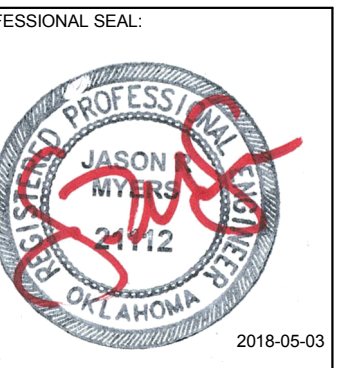
DATE: 05/03/18  
JOB NUMBER: 17-06  
SHEET NUMBER: 8  
S1.8

PORTE COCHERE  
FOUNDATION PLANS





James R. Childers  
Architect, Inc.  
45 South 4th Street  
Fort Smith, AR 72901  
479-783-2480  
www.childersarchitect.com



CONSULTANT LOGO:  
**Myers-Beatty**  
Engineering, PLLC  
OK CA 4899  
2411 Fayetteville Road, Suite B  
Van Buren, Arkansas 75056  
Ph (479) 474-4412 Fax (479) 474-4413  
www.myers-engr.com



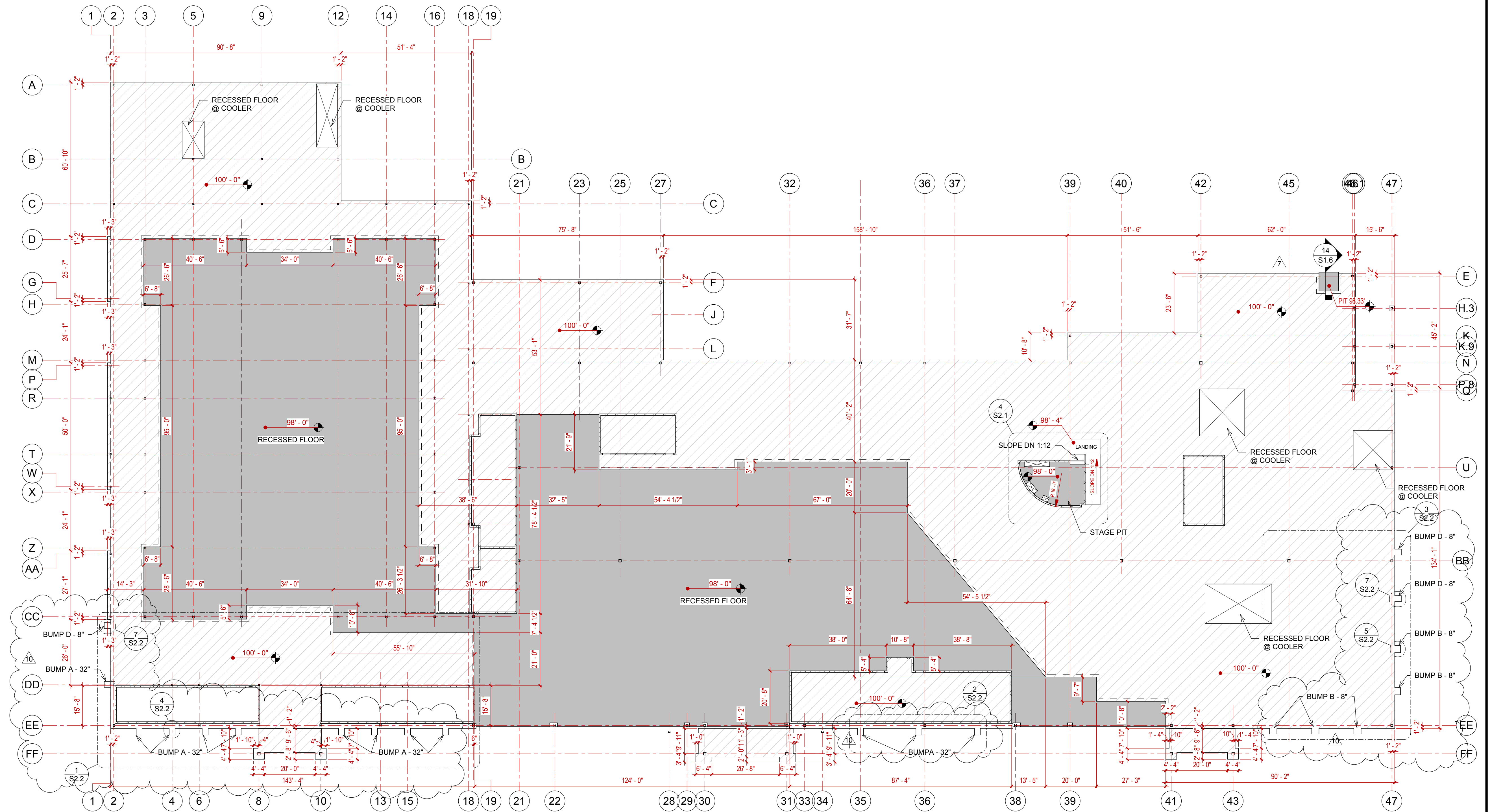
CHEROKEE NATION ENTERTAINMENT  
**TAHLEQUAH CASINO**  
TAHLEQUAH, OKLAHOMA

PROJECT PHASE:  
**BID PACKAGE 02**  
(100%SET)

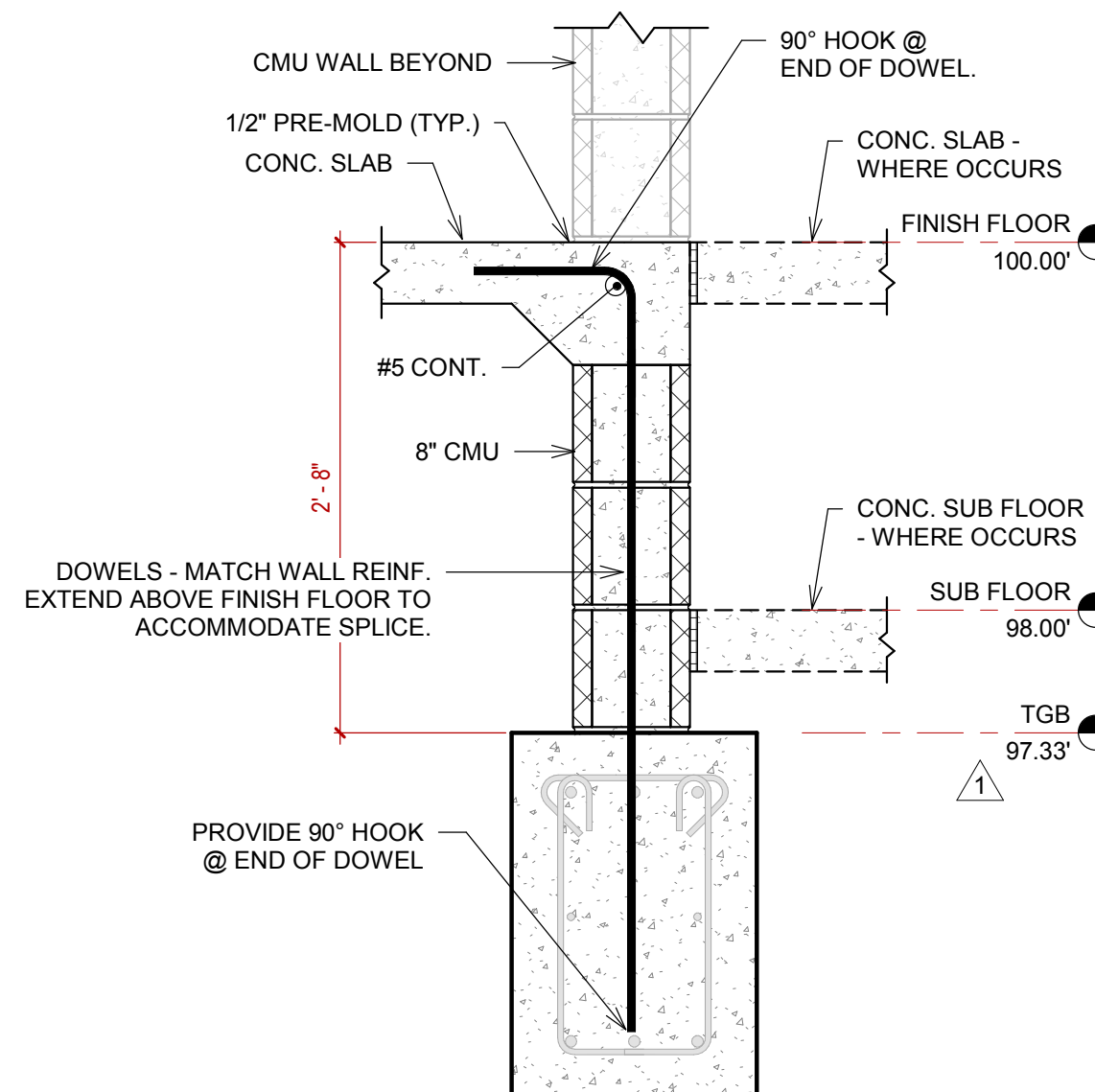
#	DATE	DESCRIPTION
1	04/05/18	ADDENDUM #01
5	04/27/18	ADDENDUM #05
7	05/08/18	ADDENDUM #07
10	05/22/18	ADDENDUM #10

DATE: 03/27/18  
JOB NUMBER: 17-06  
SHEET NUMBER:

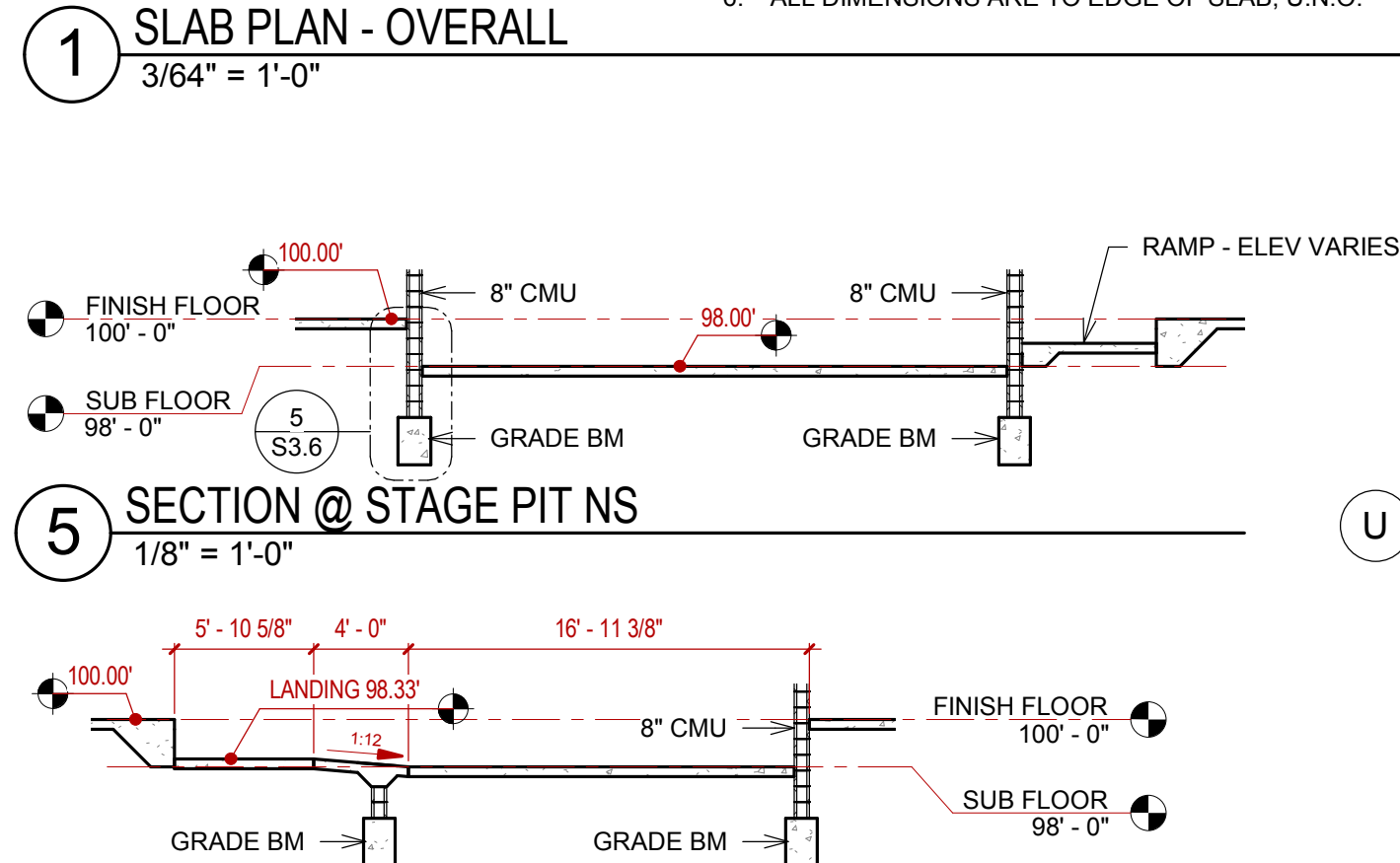
**S2.1**  
SLAB PLAN



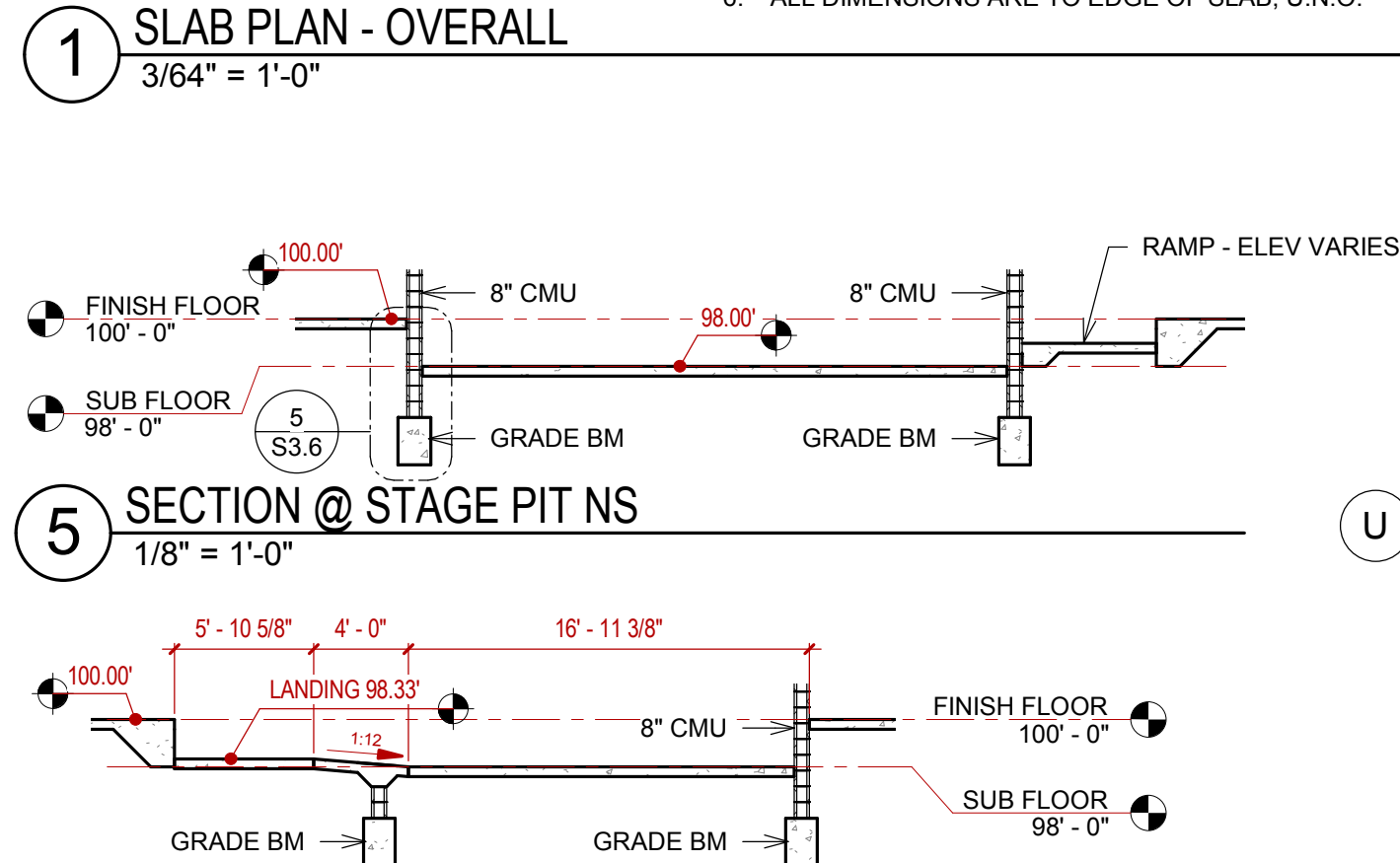
- PLAN NOTES:**
1. SLAB TO BE 5" CONCRETE W/ #3'S @ 18" O.C. E.W. ON 15 MIL VAPOR BARRIER ON 4" DRAINAGE FILL.
  2. ALL COLUMNS THAT EXTEND THROUGH THE SLAB TO HAVE A DIAMOND BLOCKOUT W/ 1/2" PRE-MOLD.
  3. SAW CUTS, W/ SEALANT, TO BE LOCATED AT ALL RE-ENTRANT CORNERS, TO BE 90° ANGLES, AND TO BE SPACED NO MORE THAN 12 FEET ON CENTER.
  4. COORDINATE WITH MEP PLAN FOR FLOOR DRAIN LOCATIONS.
  5. COORDINATE WITH FOOD SERVICE PLAN FOR LOCATIONS OF FLOOR DRAINS, TRENCH DRAINS, RECESSED COOLERS, ETC.
  6. ALL DIMENSIONS ARE TO EDGE OF SLAB, U.N.O.



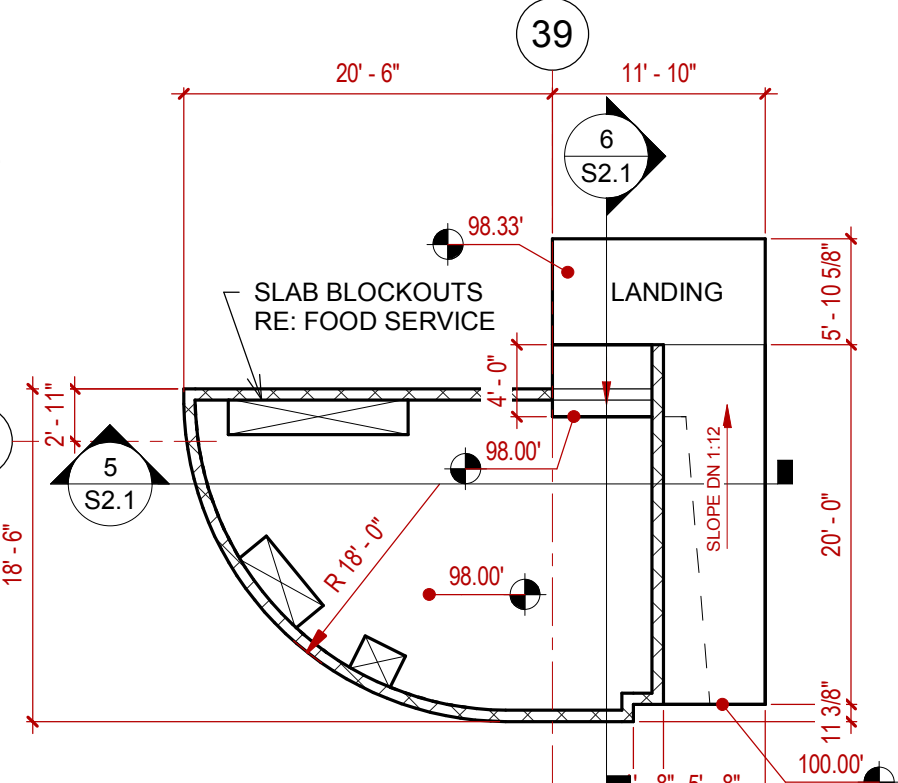
**7** SLAB EDGE @ OPENING W/ CMU  
1" = 1'-0"



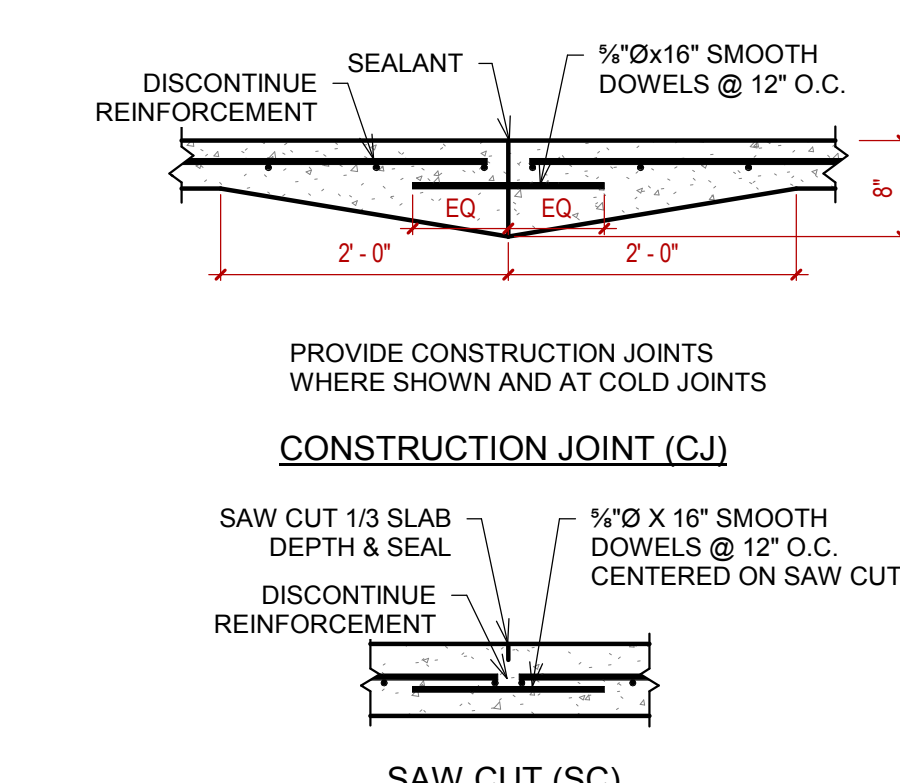
**5** SECTION @ STAGE PIT NS  
1/8" = 1'-0"



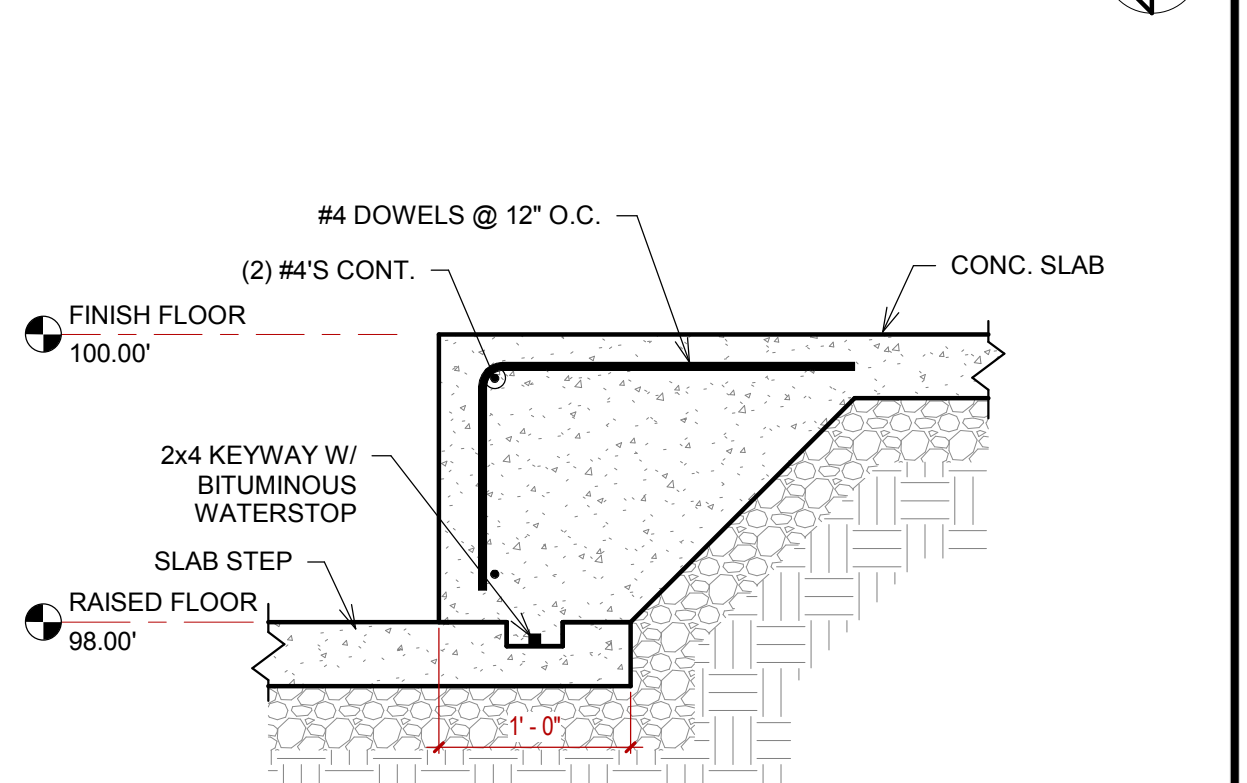
**6** SECTION @ STAGE PIT EW  
1/8" = 1'-0"



**4** SLAB PLAN - STAGE PIT  
3/32" = 1'-0"

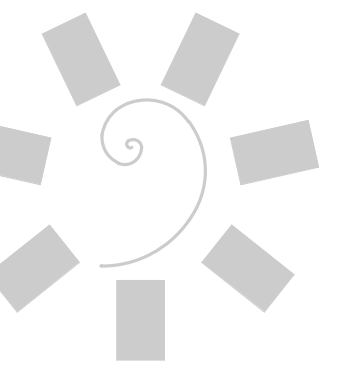


**3** SLAB JOINT DETAILS  
3/4" = 1'-0"



**2** SLAB STEP  
1" = 1'-0"





James R. Childers  
Architect, Inc.

314 Lexington Avenue  
Fort Smith, AR 72901  
479-783-2480  
www.childersarchitect.com

PROFESSIONAL SEAL

CONSULTANT LOGO

Myers-Beatty  
Engineering, PLLC  
OK CA 4899  
2411 Fayetteville Road, Suite B  
Van Buren, Arkansas 72956  
Ph (479) 474-4412 Fax (479) 474-4413  
www.myers-engr.com

CLIENT



TAHLEQUAH CASINO  
TAHLEQUAH, OKLAHOMA

PROJECT PHASE

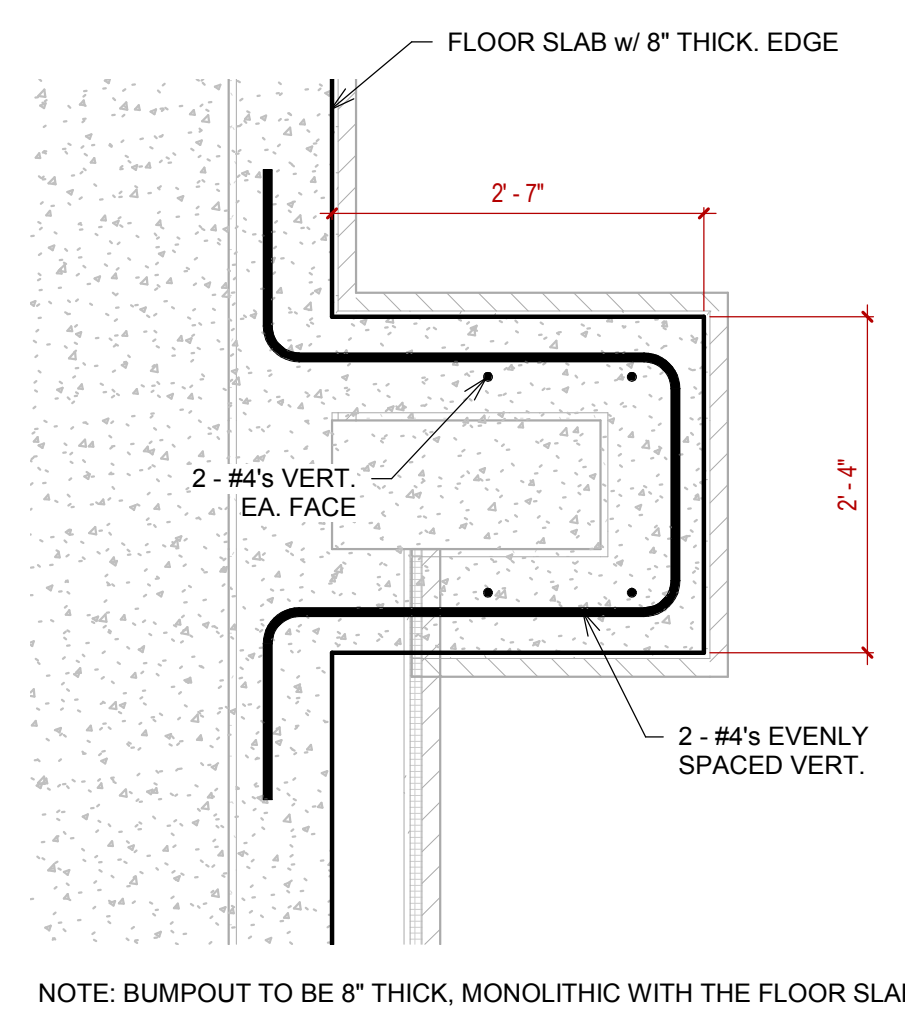
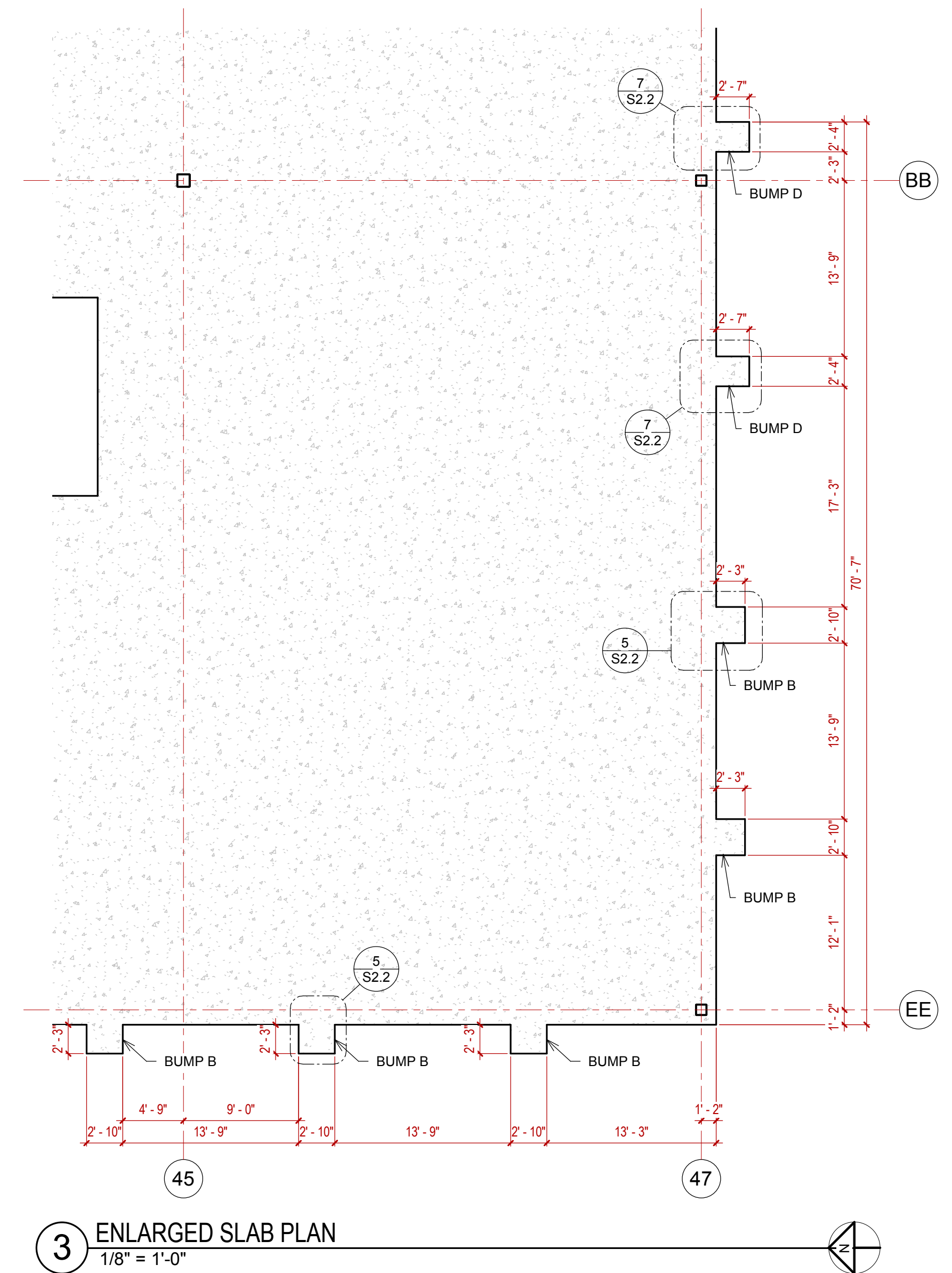
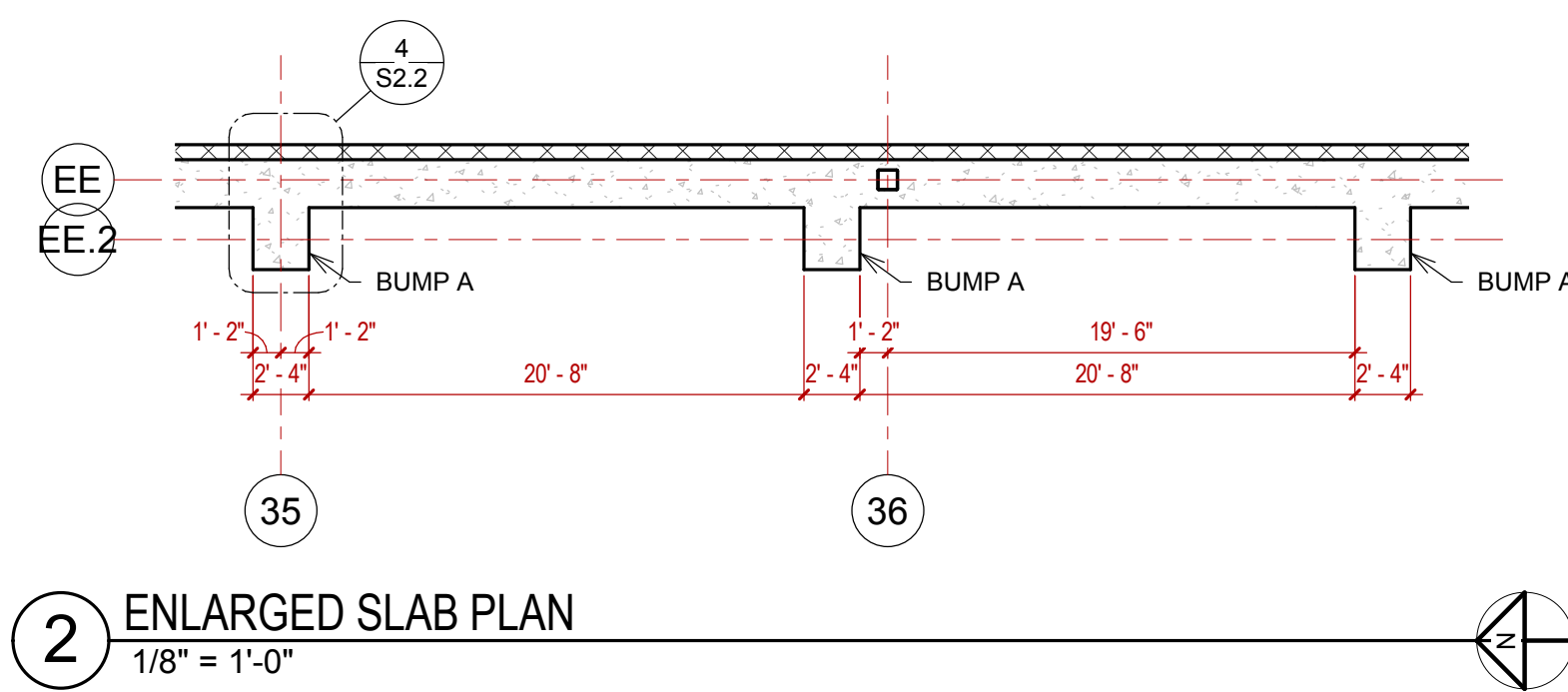
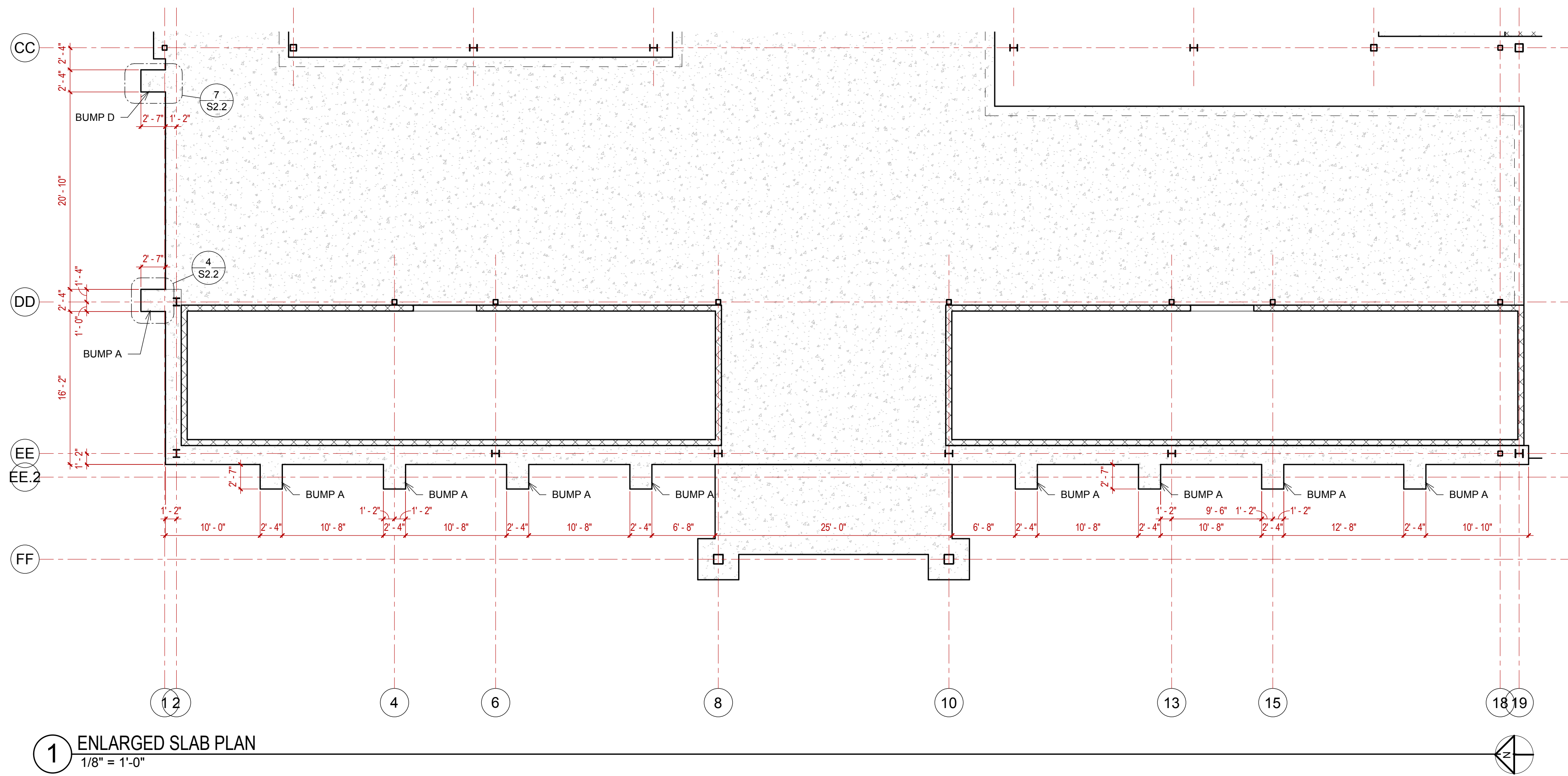
BID PACKAGE 01

#	DATE	REVISIONS DESCRIPTION
10	05/22/18	ADDENDUM #10

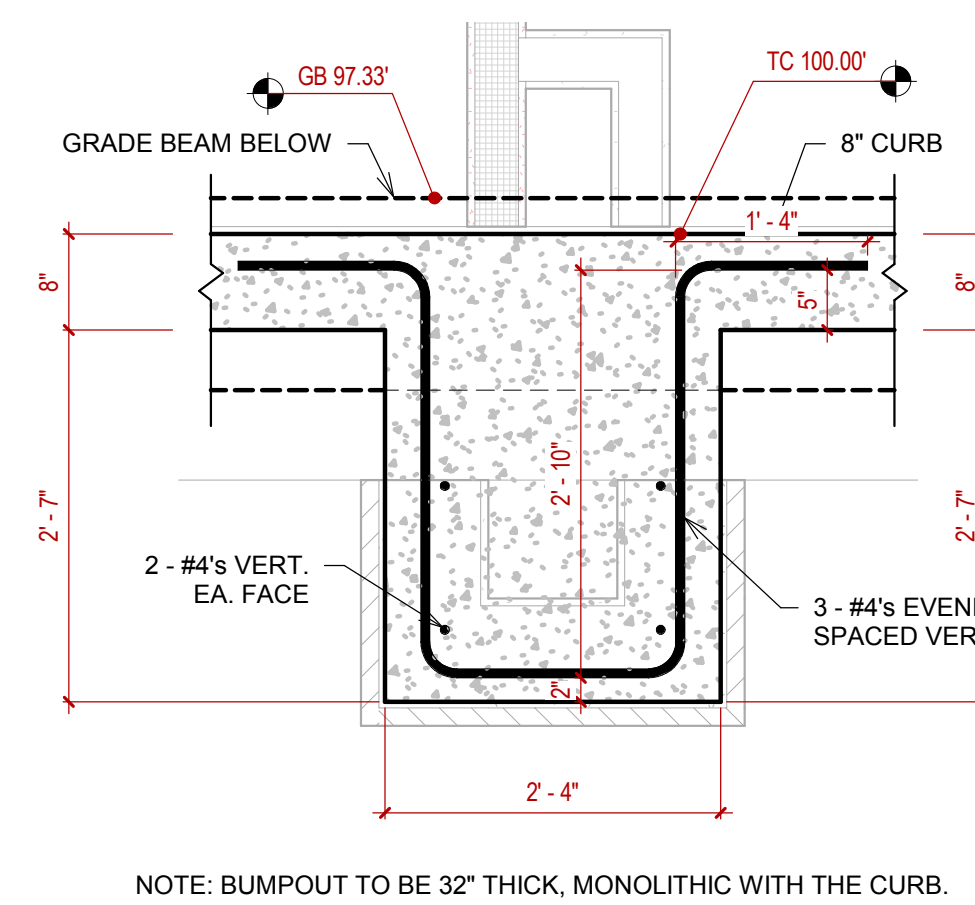
DATE: 05/22/18 JOB NUMBER: 17-06

SHEET NUMBER: S2.2

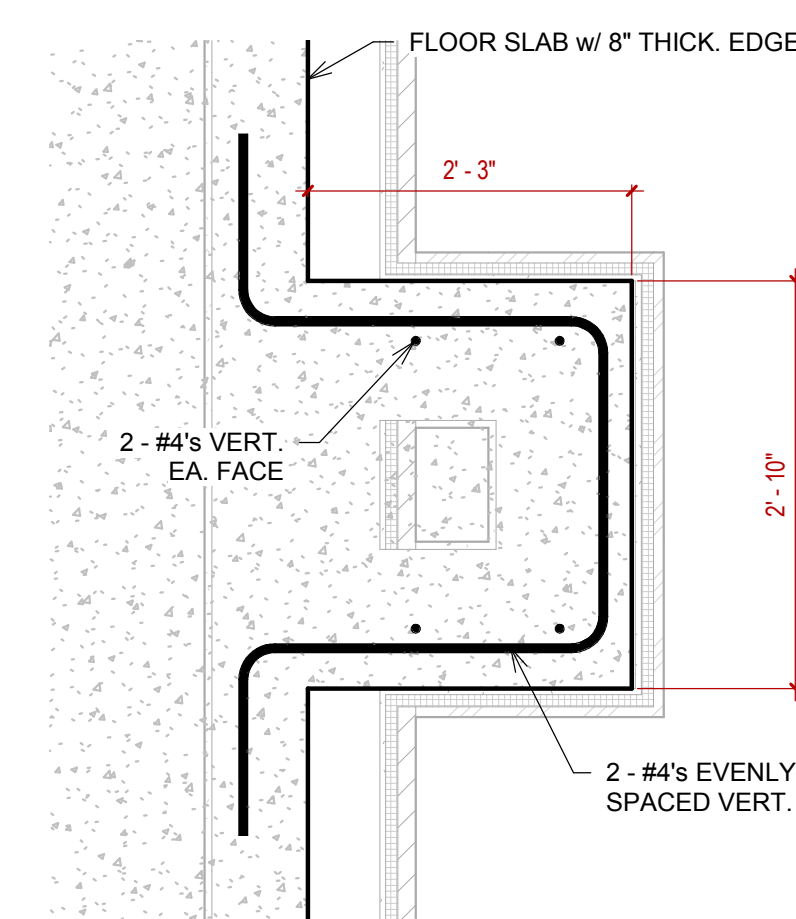
SLAB BUMPOUT PLANS



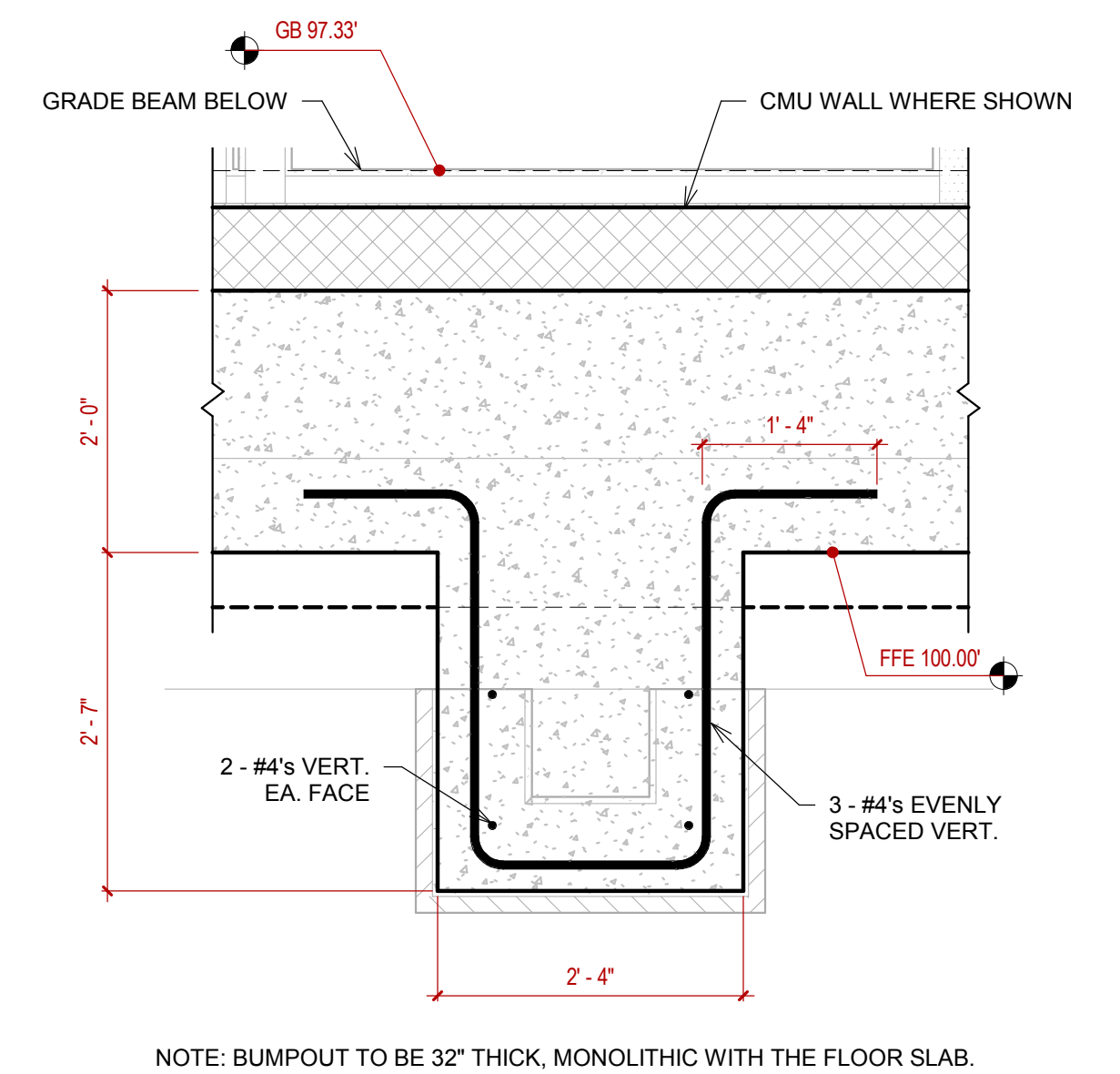
7 BUMP D - 8"  
3/4" = 1'-0"



6 BUMP C - 32"  
3/4" = 1'-0"

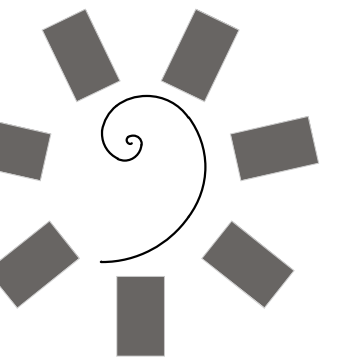


5 BUMP B - 8"  
3/4" = 1'-0"

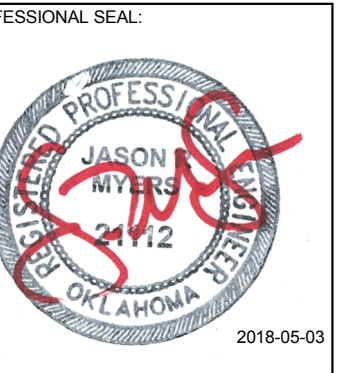


4 BUMP A - 32"  
3/4" = 1'-0"





James R. Childers  
Architect, Inc.  
45 South 4th Street  
Fort Smith, AR 72901  
479-783-2480  
www.childersarchitect.com



CONSULTANT LOGO:  
Myers-Beatty  
Engineering, PLLC  
OK CA 4899  
2411 Fayetteville Road, Suite B  
Van Buren, Arkansas 75056  
Ph (479) 474-4412 Fax (479) 474-4413  
www.myers-engr.com



CHEROKEE NATION ENTERTAINMENT  
TAHLEQUAH CASINO  
TAHLEQUAH, OKLAHOMA

PROJECT PHASE:  
BID PACKAGE 02  
(100%SET)

#	DATE	DESCRIPTION
1	04/05/18	ADDENDUM #01
2	04/27/18	ADDENDUM #05
3	05/08/18	ADDENDUM #07
4	05/11/18	ADDENDUM #08
5	05/22/18	ADDENDUM #10

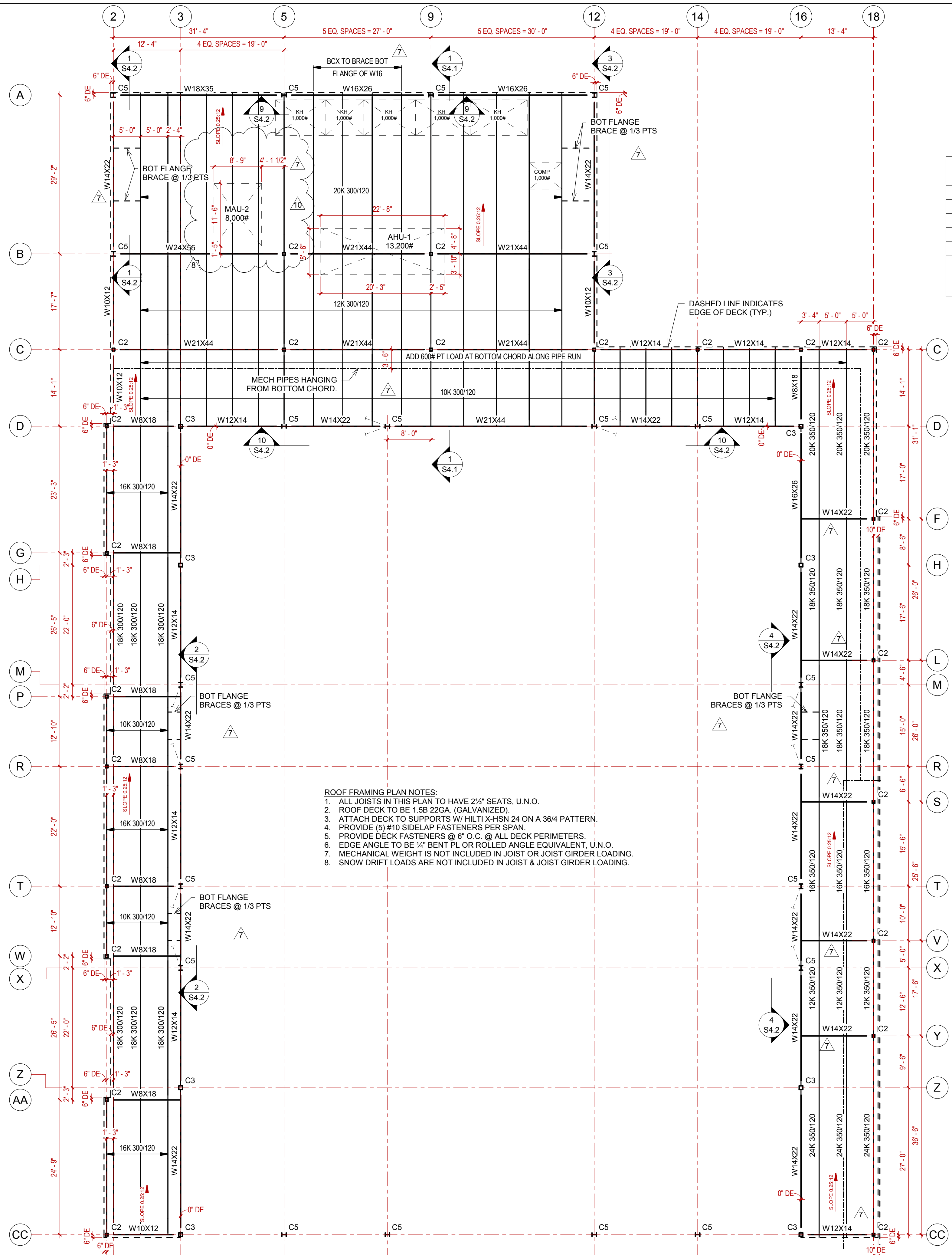
DATE: 03/27/18  
JOB NUMBER: 17-06  
SHEET NUMBER: S3.1

ROOF FRAMING PLANS

COL MARK	SIZE
C2	HSS6X6X1/4
C3	HSS8X8X1/4
C4	HSS10X10X1/4
C5	W10X33
C6	HSS12X12X1/4
C7	HSS12X12X3/8
C8	W10X49

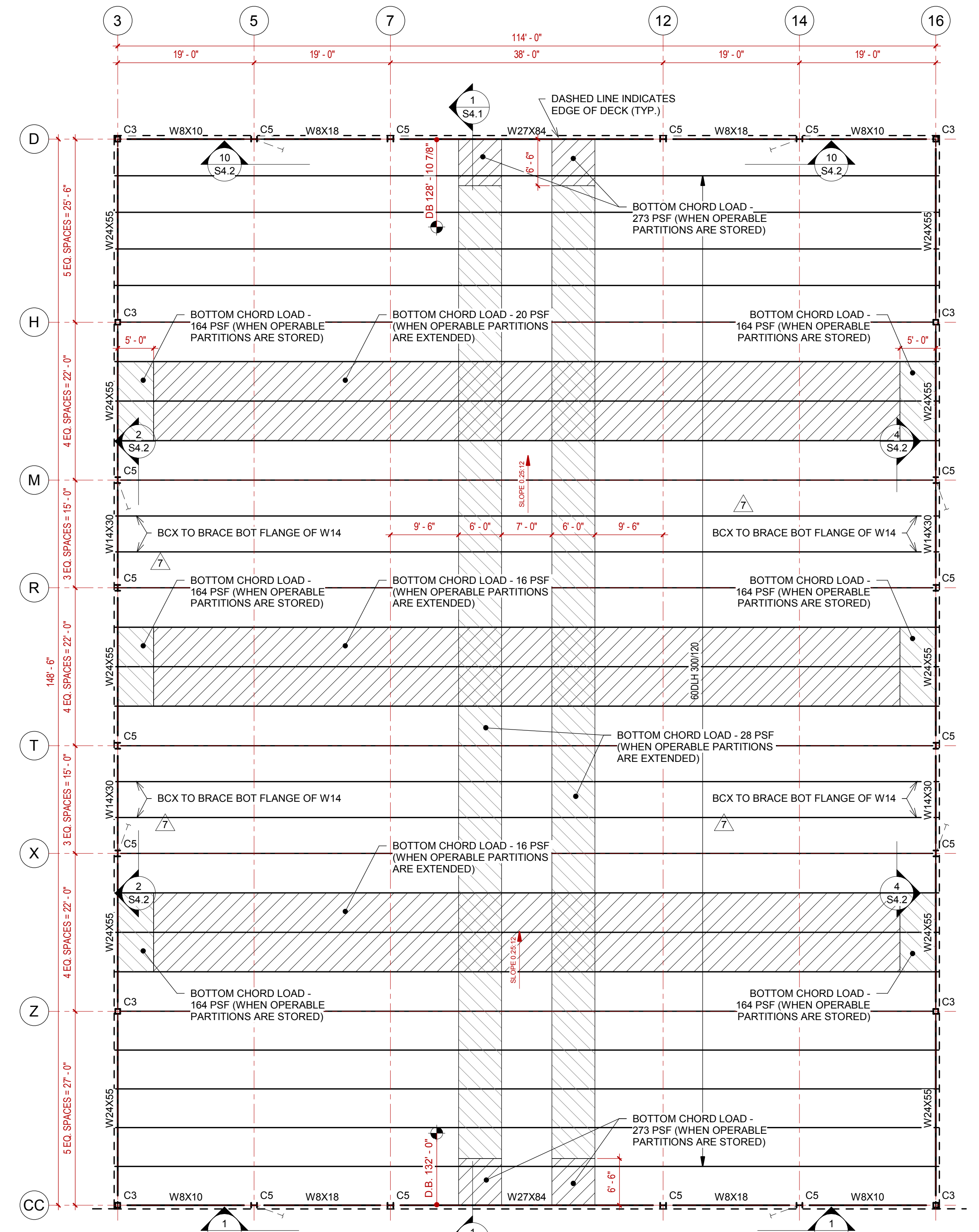
ROOF FRAMING PLAN NOTES:

- ALL JOISTS IN THIS PLAN TO HAVE 5" SEATS, U.N.O.
- ROOF DECK TO BE 1.5B 22GA. (GALVANIZED).
- ATTACH DECK TO SUPPORTS W/ HILTI X-HSN 24 ON A 36/4 PATTERN.
- PROVIDE (5) #10 SIDELAP FASTENERS PER SPAN.
- PROVIDE DECK FASTENERS @ 6" O.C. @ ALL DECK PERIMETERS.
- EDGE ANGLE TO BE 1/2" BENT PL OR ROLLED ANGLE EQUIVALENT, U.N.O.
- MECHANICAL WEIGHT IS NOT INCLUDED IN JOIST OR JOIST GIRDER LOADING.
- SNOW DRIFT LOADS ARE NOT INCLUDED IN JOIST & JOIST GIRDER LOADING.
- METAL STUDS AROUND THE PERIMETER OF CONVENTION HI TO BE 600S162-54 @ 16" O.C. W/ 600T125-54 TRACKS.



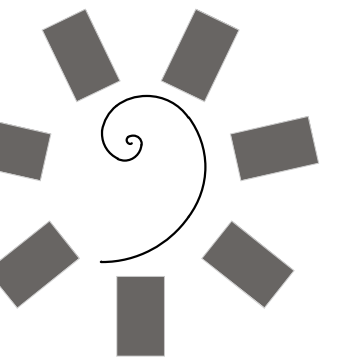
- ROOF FRAMING PLAN NOTES:
- ALL JOISTS IN THIS PLAN TO HAVE 2 1/2" SEATS, U.N.O.
  - ROOF DECK TO BE 1.5B 22GA. (GALVANIZED).
  - ATTACH DECK TO SUPPORTS W/ HILTI X-HSN 24 ON A 36/4 PATTERN.
  - PROVIDE (5) #10 SIDELAP FASTENERS PER SPAN.
  - PROVIDE DECK FASTENERS @ 6" O.C. @ ALL DECK PERIMETERS.
  - EDGE ANGLE TO BE 1/2" BENT PL OR ROLLED ANGLE EQUIVALENT, U.N.O.
  - MECHANICAL WEIGHT IS NOT INCLUDED IN JOIST OR JOIST GIRDER LOADING.
  - SNOW DRIFT LOADS ARE NOT INCLUDED IN JOIST & JOIST GIRDER LOADING.

2 ROOF FRAMING PLAN - CONVENTION - DB LO  
3/32" = 1'-0"



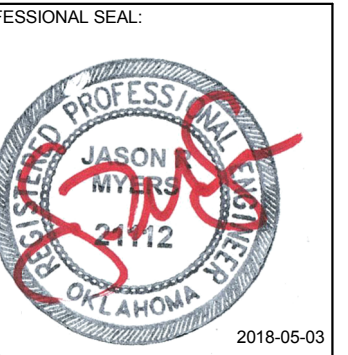
1 ROOF FRAMING PLAN - CONVENTION - DB HI  
3/32" = 1'-0"





James R. Childers  
Architect, Inc.

45 South 4th Street  
Fort Smith, AR 72901  
479-783-2480  
www.childersarchitect.com



CONSULTANT LOGO:

Myers-Beatty  
Engineering, PLLC  
OK CA 4899  
2411 Fayetteville Road, Suite B  
Van Buren, Arkansas 72956  
Ph (479) 474-4412 Fax (479) 474-4413  
www.myers-engr.com

CLIENT:  
CHEROKEE NATION  
Entertainment



CHEROKEE NATION ENTERTAINMENT  
TAHLEQUAH CASINO  
TAHLEQUAH, OKLAHOMA

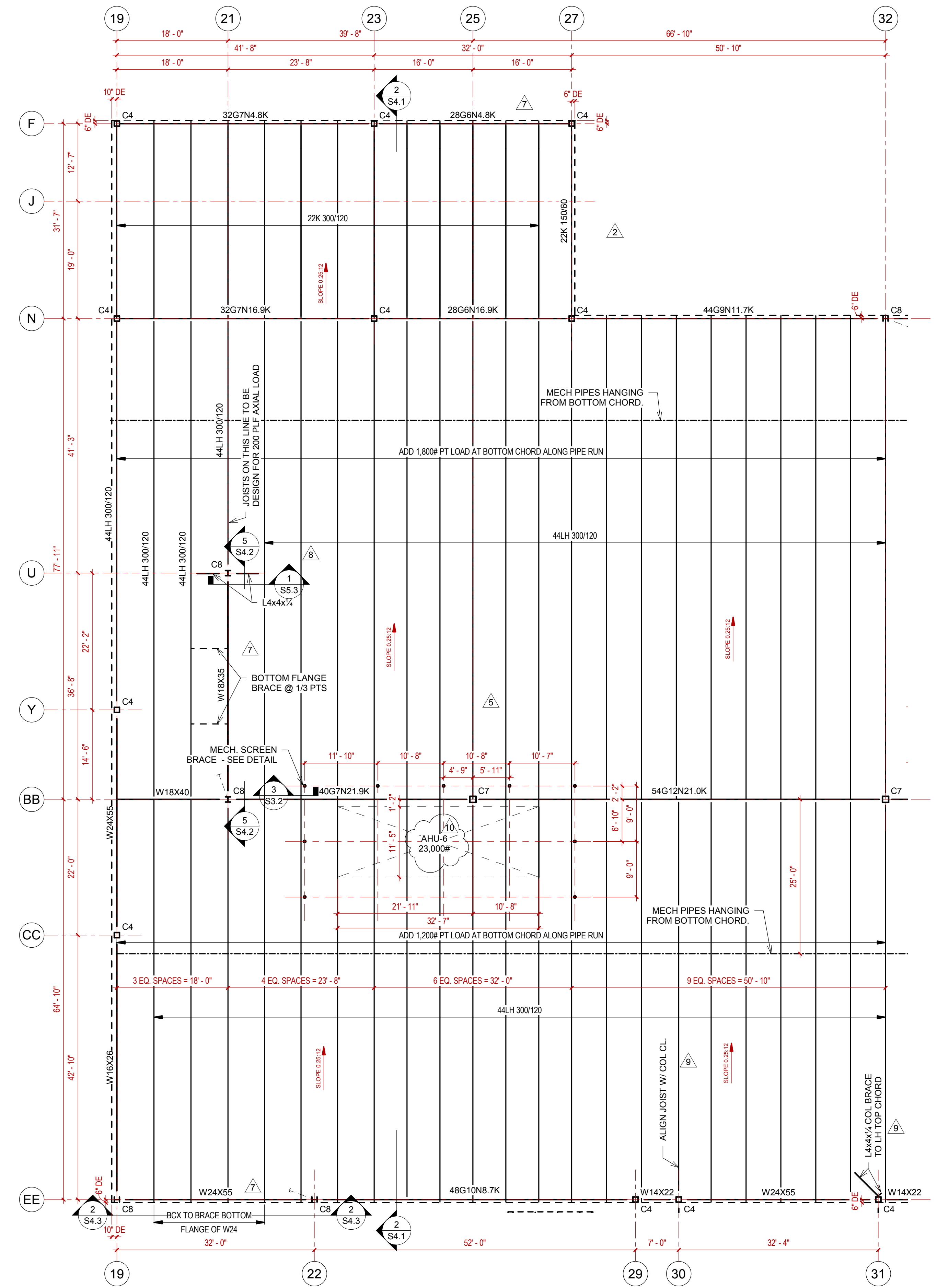
PROJECT PHASE:  
BID PACKAGE 02  
(100%SET)

#	DATE	DESCRIPTION
1	04/05/18	ADDENDUM #01
2	04/11/18	ADDENDUM #02
3	04/27/18	ADDENDUM #03
4	05/08/18	ADDENDUM #04
5	05/11/18	ADDENDUM #05
6	05/14/18	ADDENDUM #06
7	05/17/18	ADDENDUM #07
8	05/22/18	ADDENDUM #08
9	05/24/18	ADDENDUM #09
10	05/27/18	ADDENDUM #10

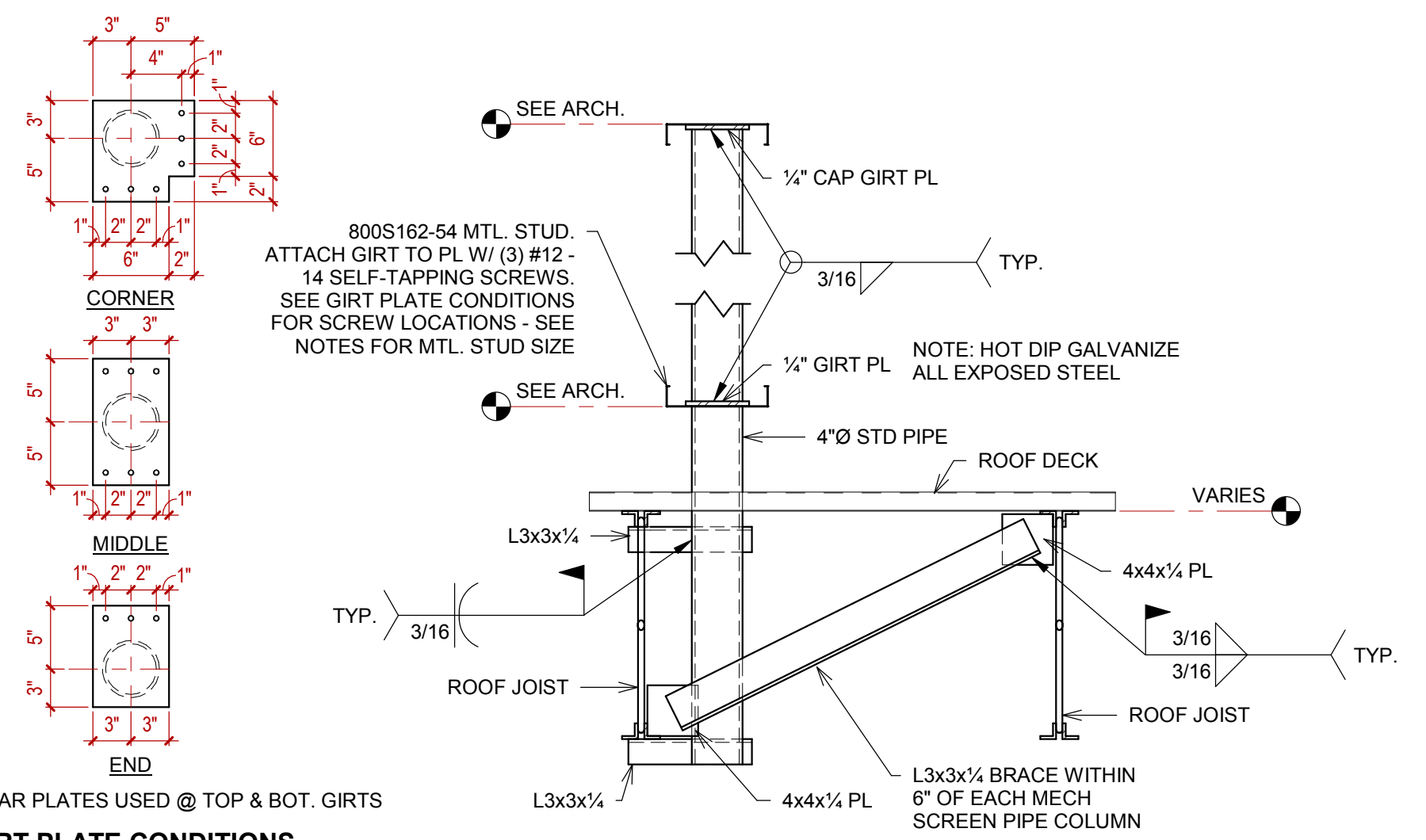
DATE: 03/27/18 JOB NUMBER: 17-06

SHEET NUMBER: S3.2

ROOF FRAMING PLANS

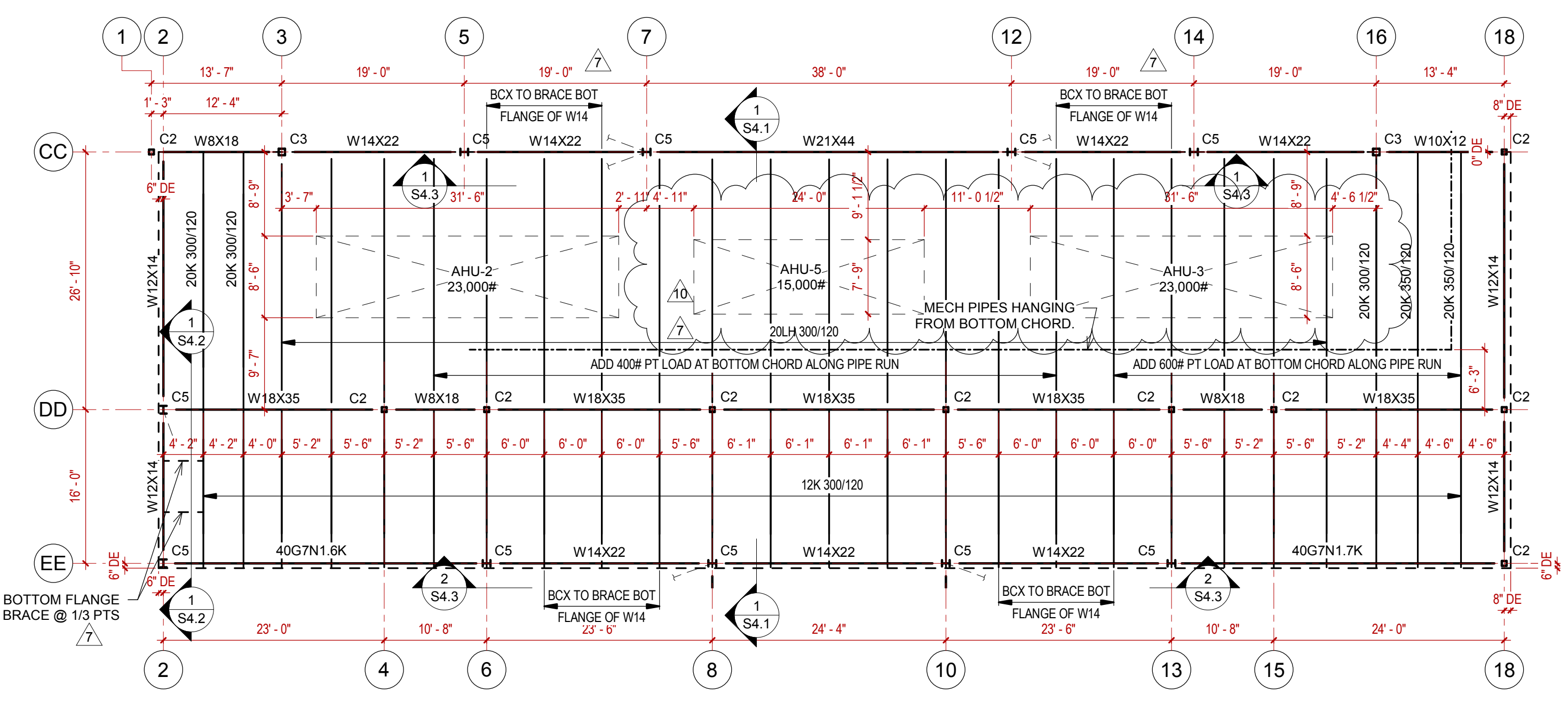


2 ROOF FRAMING PLAN - CASINO - NORTH  
3/32" = 1'-0"

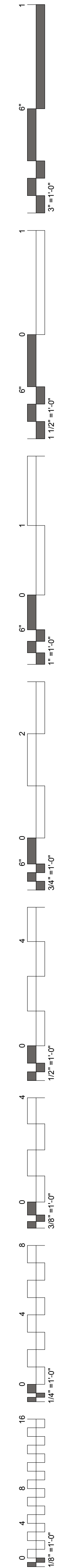


3 MECH. SCREEN BRACE  
1" = 1'-0"

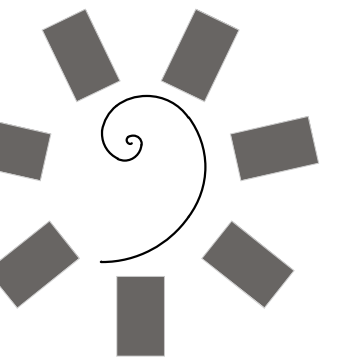
- ROOF FRAMING PLAN NOTES:**
- ALL JOISTS IN THIS PLAN TO HAVE 5" SEATS, U.N.O.
  - ROOF DECK TO BE 1.5B 22GA. (GALVANIZED).
  - ATTACH DECK TO SUPPORTS W/ HILTI X-HSN 24 ON A 36/4 PATTERN.
  - PROVIDE (5) #10 SIDELAP FASTENERS PER SPAN.
  - PROVIDE DECK FASTENERS @ 6" O.C. @ ALL DECK PERIMETERS.
  - EDGE ANGLE TO BE 1/2" BENT PL OR ROLLED ANGLE EQUIVALENT, U.N.O.
  - MECHANICAL WEIGHT IS NOT INCLUDED IN JOIST OR JOIST GIRDER LOADING.
  - SNOW DRIFT LOADS ARE NOT INCLUDED IN JOIST & JOIST GIRDER LOADING.
  - METAL STUDS AROUND THE PERIMETER OF CONVENTION HI TO BE 600S162-54 @ 16" O.C. W/ 600T125-54 TRACKS.



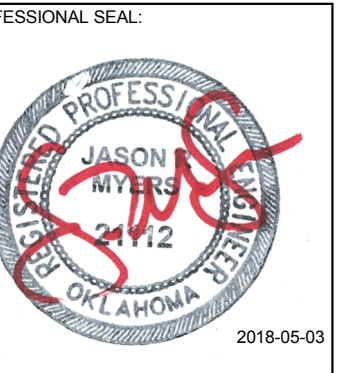
1 ROOF FRAMING PLAN - CONVENTION - FOH  
3/32" = 1'-0"







James R. Childers  
Architect, Inc.  
45 South 4th Street  
Fort Smith, AR 72901  
479-783-2480  
www.childersarchitect.com



CONSULTANT LOGO:  
**Myers-Beatty**  
Engineering, PLLC  
OK CA 4899  
2411 Fayetteville Road, Suite B  
Van Buren, Arkansas 72956  
Ph (479) 474-4412 Fax (479) 474-4413  
www.myers-engr.com



CHEROKEE NATION ENTERTAINMENT  
**TAHLEQUAH CASINO**  
TAHLEQUAH, OKLAHOMA

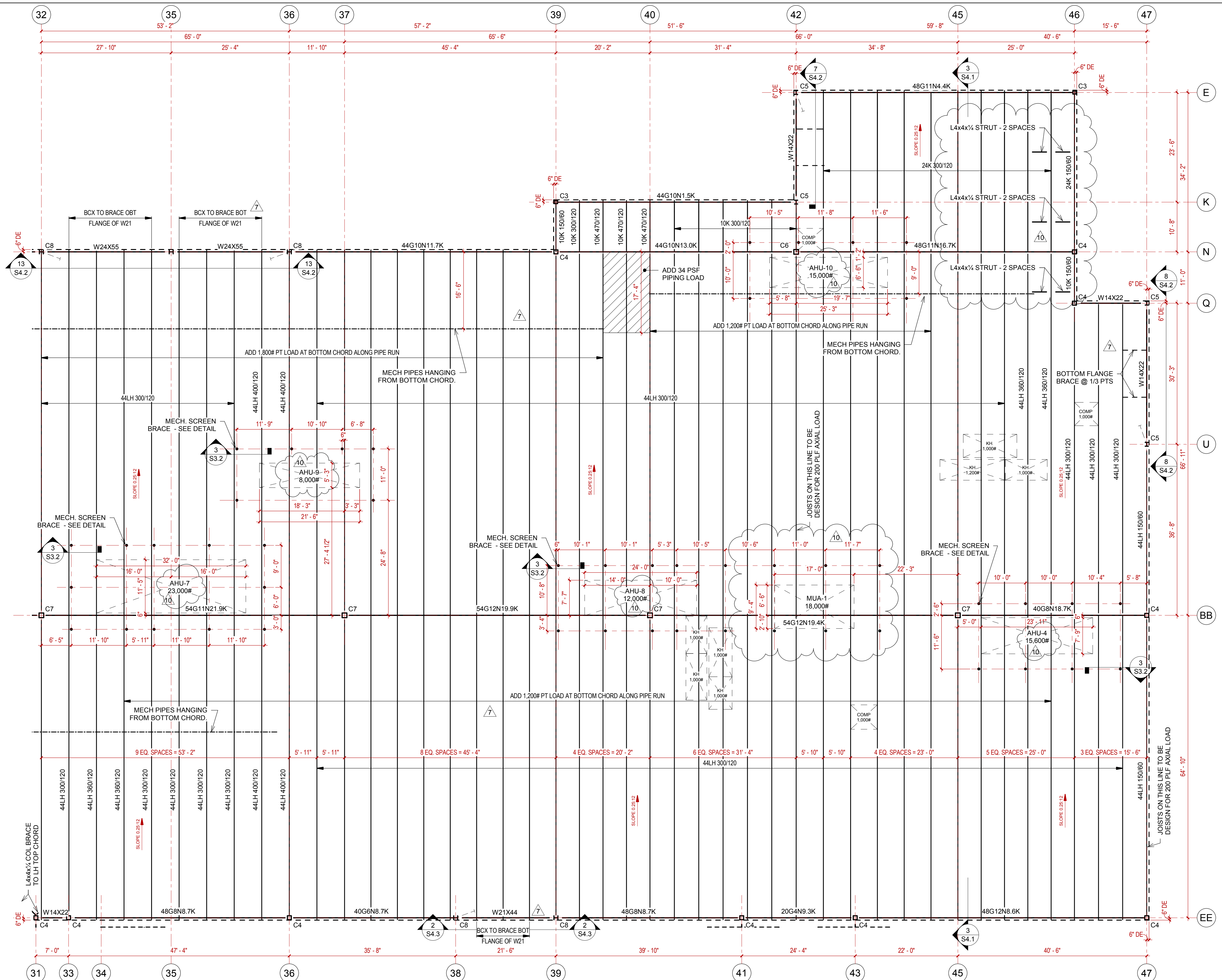
PROJECT PHASE:  
**BID PACKAGE 02 (100%SET)**

#	DATE	DESCRIPTION
1	04/05/18	ADDENDUM #01
2	04/27/18	ADDENDUM #02
3	05/08/18	ADDENDUM #03
4	05/11/18	ADDENDUM #04
5	05/22/18	ADDENDUM #05
6	05/22/18	ADDENDUM #06
7	05/22/18	ADDENDUM #07
8	05/22/18	ADDENDUM #08
9	05/22/18	ADDENDUM #09
10	05/22/18	ADDENDUM #10

DATE: 03/27/18  
JOB NUMBER: 17-06

SHEET NUMBER: **S3.3**

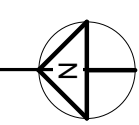
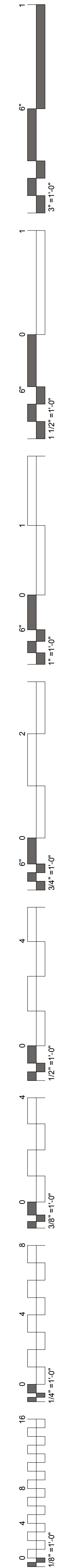
ROOF FRAMING PLAN



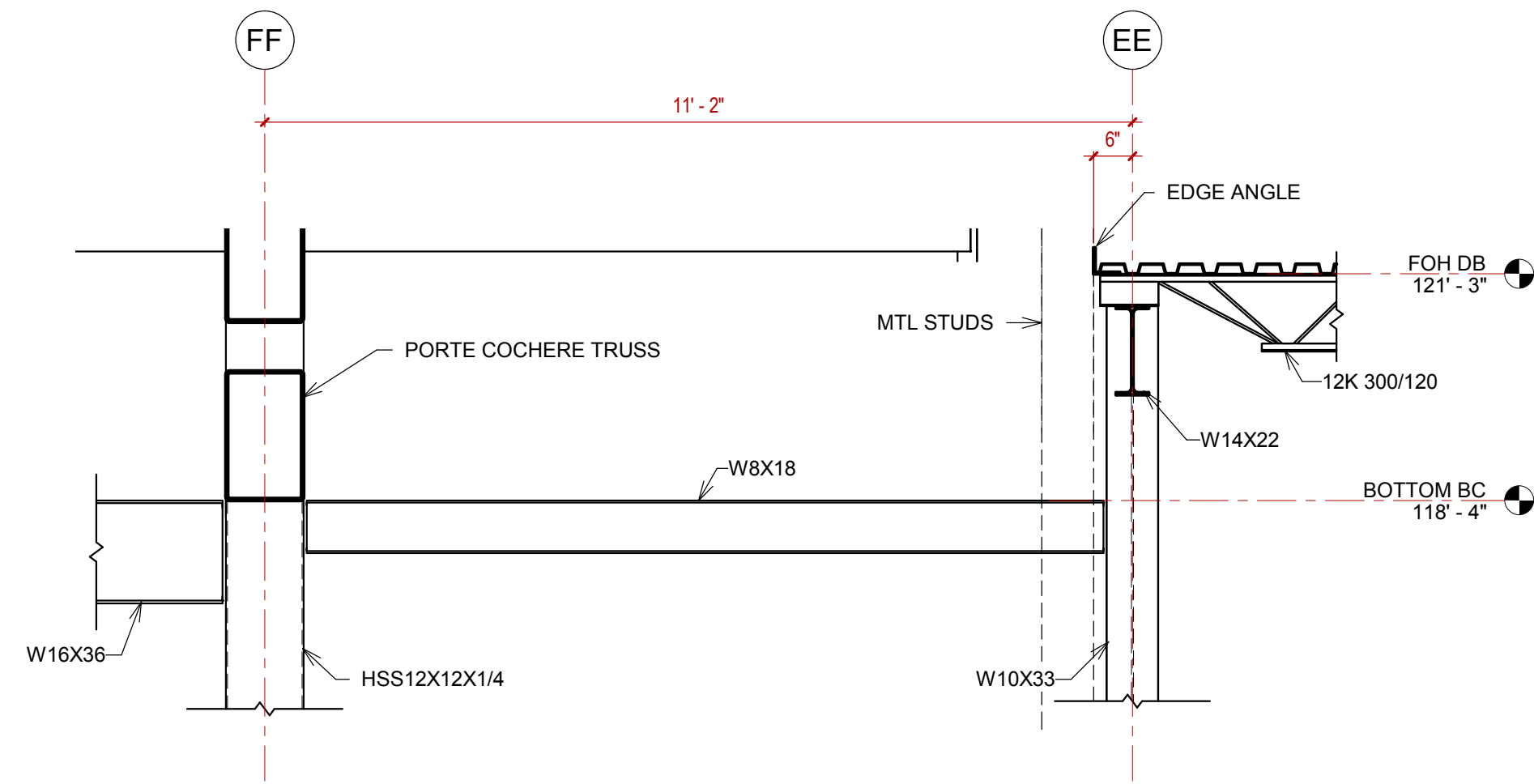
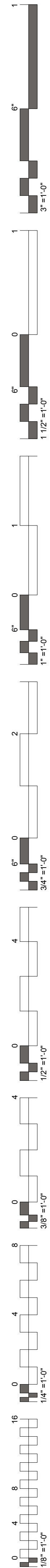
STRUCTURAL STEEL COLUMN SCHEDULE	
COL MARK	SIZE
C2	HSS6X6X1/4
C3	HSS8X8X1/4
C4	HSS10X10X1/4
C5	W10X33
C6	HSS12X12X1/4
C7	HSS12X12X3/8
C8	W10X49

- ROOF FRAMING PLAN NOTES:**
- ALL JOISTS IN THIS PLAN TO HAVE 5" SEATS, U.N.O.
  - ROOF DECK TO BE 1.5B 22GA. (GALVANIZED)
  - ATTACH DECK TO SUPPORTS W/ HILTI X-HSN 24 ON A 36/4 PATTERN.
  - PROVIDE (5) #10 SIDELAP FASTENERS PER SPAN.
  - PROVIDE DECK FASTENERS @ 6" O.C. @ ALL DECK PERIMETERS.
  - EDGE ANGLE TO BE 1/2" BENT PL OR ROLLED ANGLE EQUIVALENT, U.N.O.
  - MECHANICAL WEIGHT IS NOT INCLUDED IN JOIST OR JOIST GIRDER LOADING.
  - SNOW DRIFT LOADS ARE NOT INCLUDED IN JOIST & JOIST GIRDER LOADING.
  - METAL STUDS AROUND THE PERIMETER OF CONVENTION HI TO BE 600S162-54 @ 16" O.C. W/ 600T125-54 TRACKS.

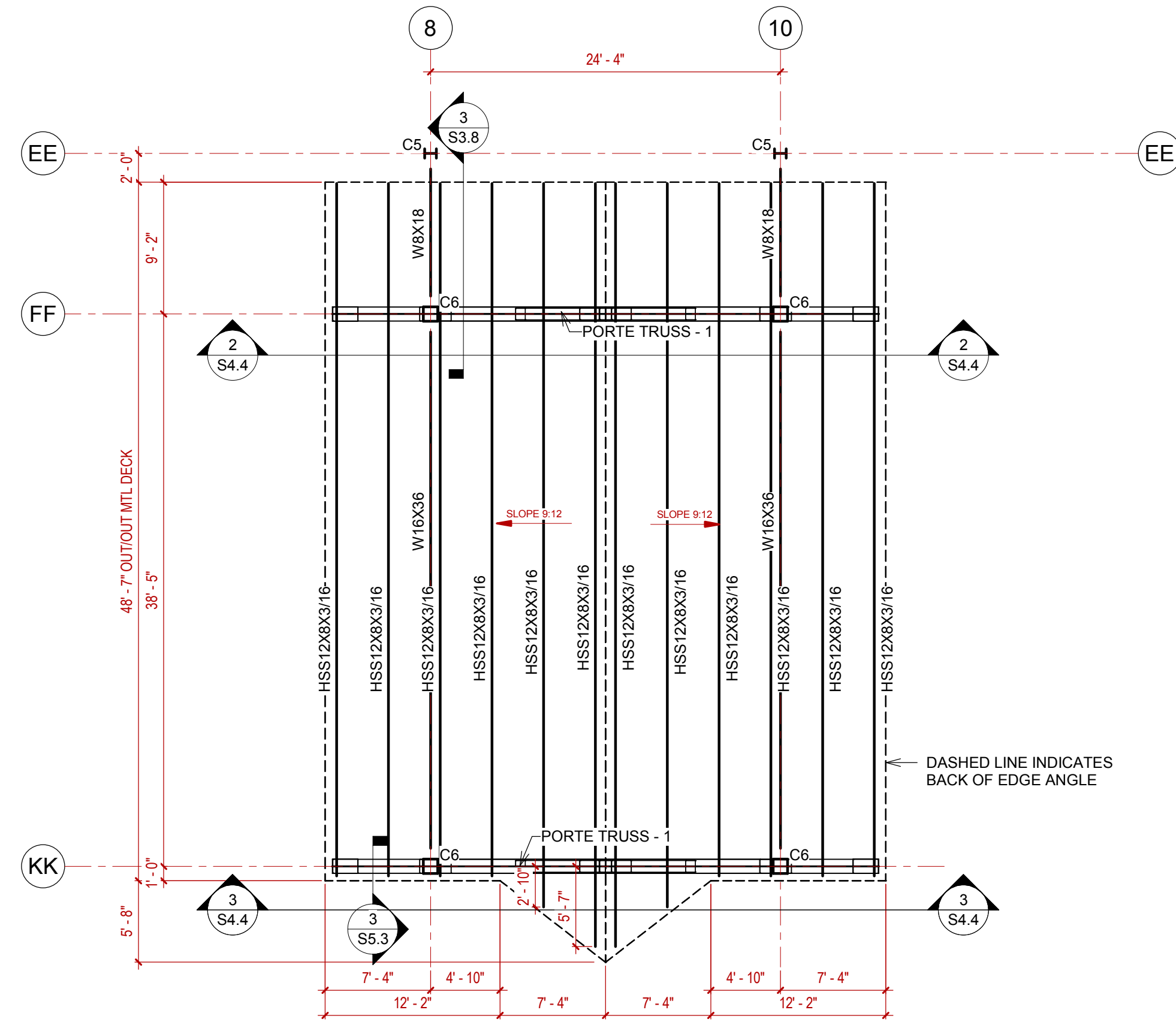
**1** ROOF FRAMING PLAN - CASINO - SOUTH  
3/32" = 1'-0"





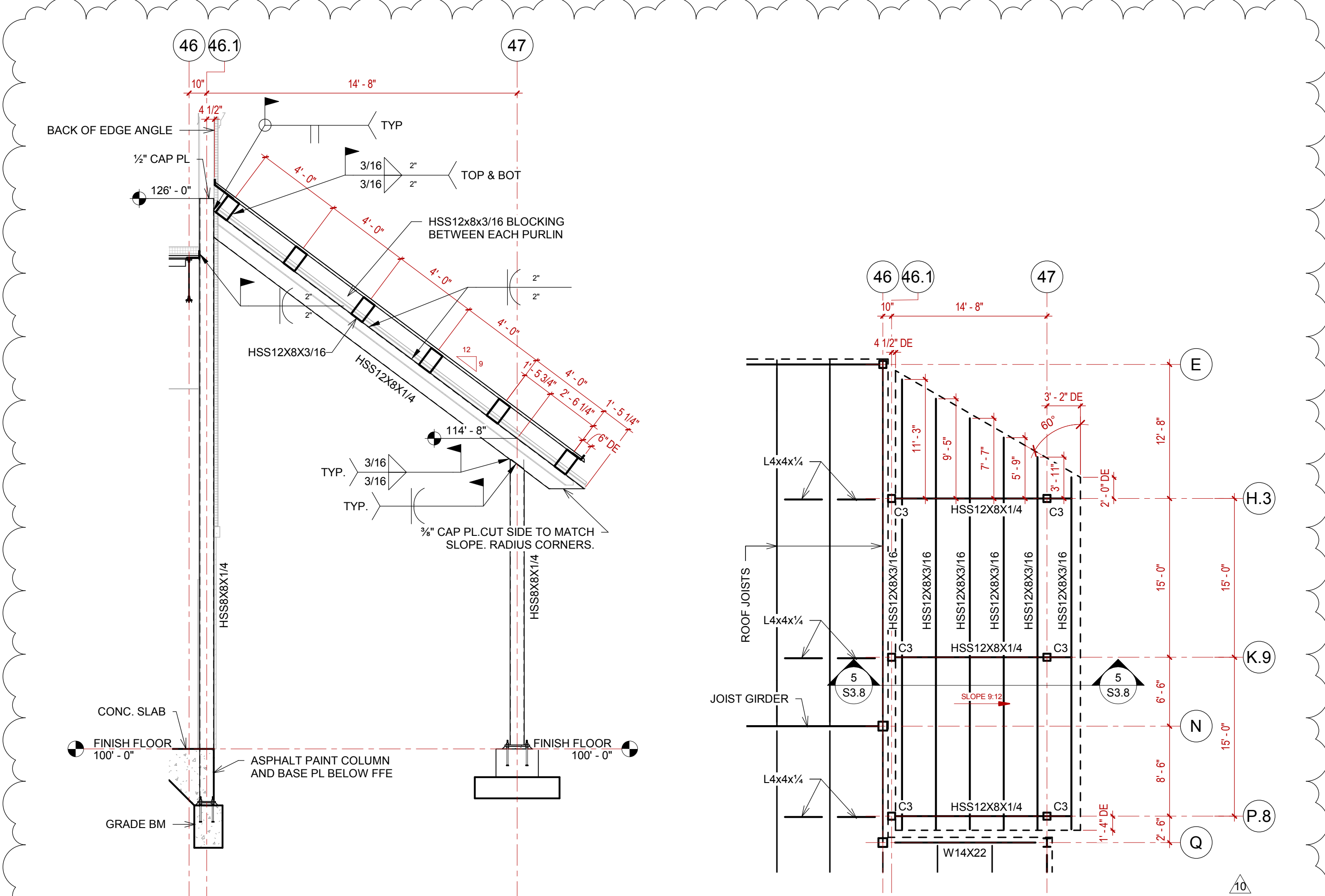


3 PORTE DETAIL  
1/2" = 1'-0"



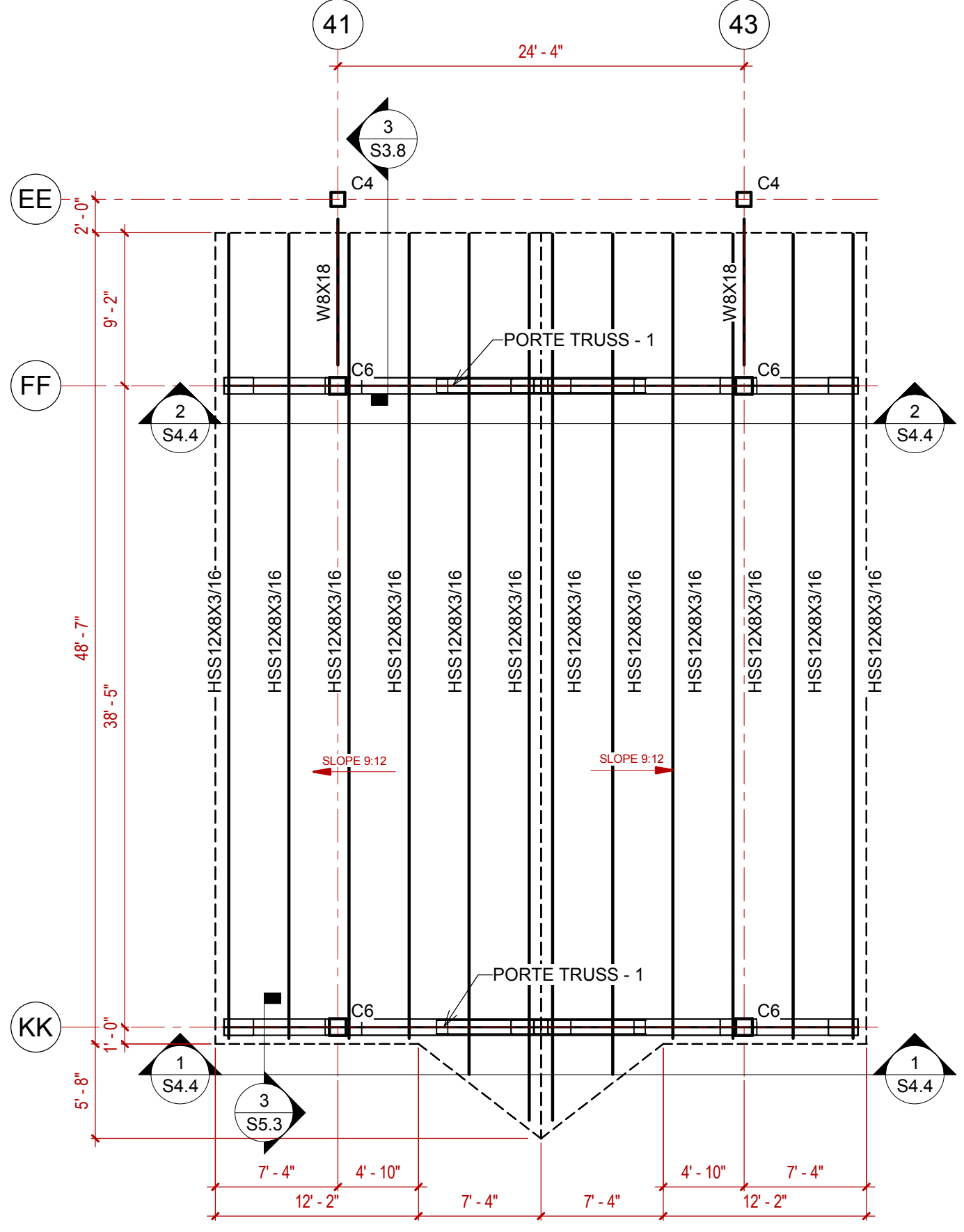
1 FRAMING PLAN - PORTE COCHERE NORTH ENTRY  
1/8" = 1'-0"

- PLAN NOTES:
1. ROOF DECK TO BE 1-58-22 GA (PAINTED).
  2. ATTACH DECK TO SUPPORTS W/ HILTI X-HSN 24 ON A 36/4 PATTERN.
  3. PROVIDE (5) #10 SIDELAP FASTENERS PER SPAN.
  4. PROVIDE DECK FASTENERS @ 6" O.C. @ ALL DECK PERIMETERS.
  5. EDGE ANGLE TO BE 1/2" BENT PL OR ROLLED ANGLE EQUIVALENT, U.N.O.

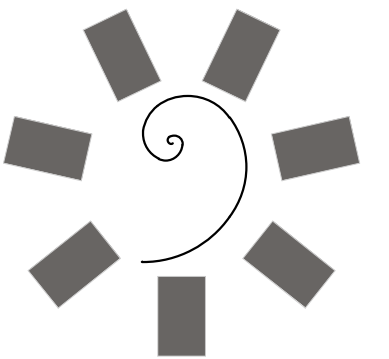


5 SMOKER CANOPY SECTION  
1/4" = 1'-0"

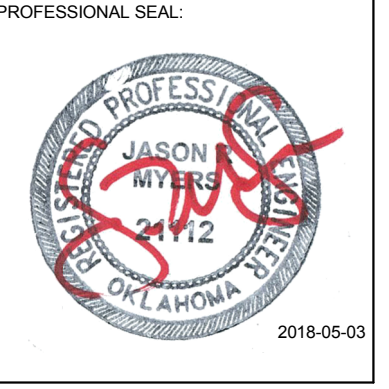
4 FRAMING PLAN - SMOKER CANOPY  
1/8" = 1'-0"



2 FRAMING PLAN - PORTE COCHERE SOUTH ENTRY  
1/8" = 1'-0"



James R. Childers  
Architect, Inc.  
45 South 4th Street  
Fort Smith, AR 72901  
479-783-2480  
www.childersarchitect.com



CONSULTANT LOGO:  
Myers-Beatty  
Engineering, PLLC  
OK CA 4899  
2411 Fayetteville Road, Suite B  
Van Buren, Arkansas 72956  
Ph (479) 474-4412 Fax (479) 474-4413  
www.myers-engr.com



CHEROKEE NATION ENTERTAINMENT  
TAHLEQUAH CASINO  
TAHLEQUAH, OKLAHOMA

PROJECT PHASE:  
BID PACKAGE 5

REVISIONS		
#	DATE	DESCRIPTION
8	05/11/18	ADDENDUM #08
10	05/22/18	ADDENDUM #10

DATE: 05/03/18  
JOB NUMBER: 17-06

SHEET NUMBER: S3.8

PORTE COCHERE  
FRAMING PLAN