



# PLANS FOR

# 2 BEDROOM ADA WITH SIDING

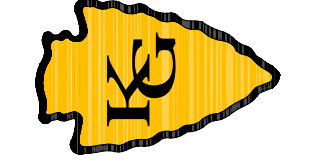
## 1091 SQUARE FOOT

### SHEET INDEX

SHEET NO.	DESCRIPTION
A101	TITLE SHEET
A102	FLOOR PLAN
A103	CABINET ELEV./HVAC CLOSET FRAMING
A104	FOUNDATION PLAN
A105	FOUNDATION PLAN DETAILS/WALL SECTION DETAIL
A106	ELEVATIONS – GABLE
M101	HVAC PLANS
P101	WASTE AND VENT PLUMBING PLANS
P102	DOMESTIC WATER PLANS
E101	ELECTRICAL PLAN

ENGINEER

KAS Gales Company  
 Consulting Engineers  
 18772 Harmon Road  
 Fayetteville, AR 72704  
 Wk. 479.361.9977 Cell 479.422.0763  
 Email: carl.d.gales@gmail.com



Cherokee Nation  
 2 Bedroom Title Sheet  
 1091 Square Feet

CLIENT: Cherokee Nation  
 Housing Authority

DESIGNED BY:  
 CDG  
 APPROVED BY:  
 DATE PREPARED:  
 Mar. 2022

DRAWN BY:  
 MDD

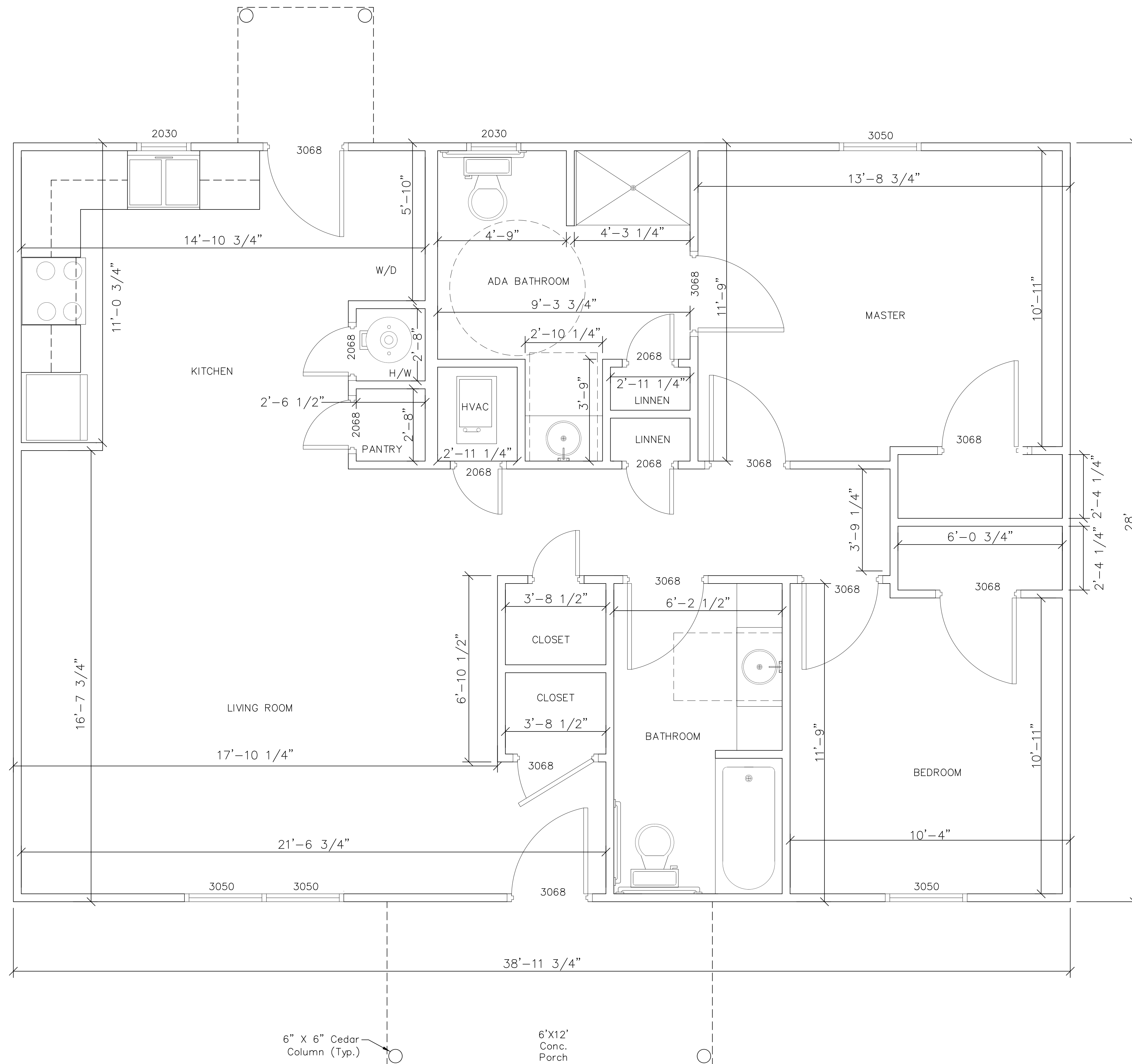
BY

DATE

REVISION

NO.

**A101**  
SHEET NO.



1091 SQ. FEET

SCALE  
1/2" = 1'



**ENGINEER**  
**KAS Gales Company**  
 Consulting Engineers  
 18772 Harmon Road  
 Fayetteville, AR 72704  
 Wk. 479.361.9977 Cell 479.422.0763  
 Email: carl.d.gales@gmail.com

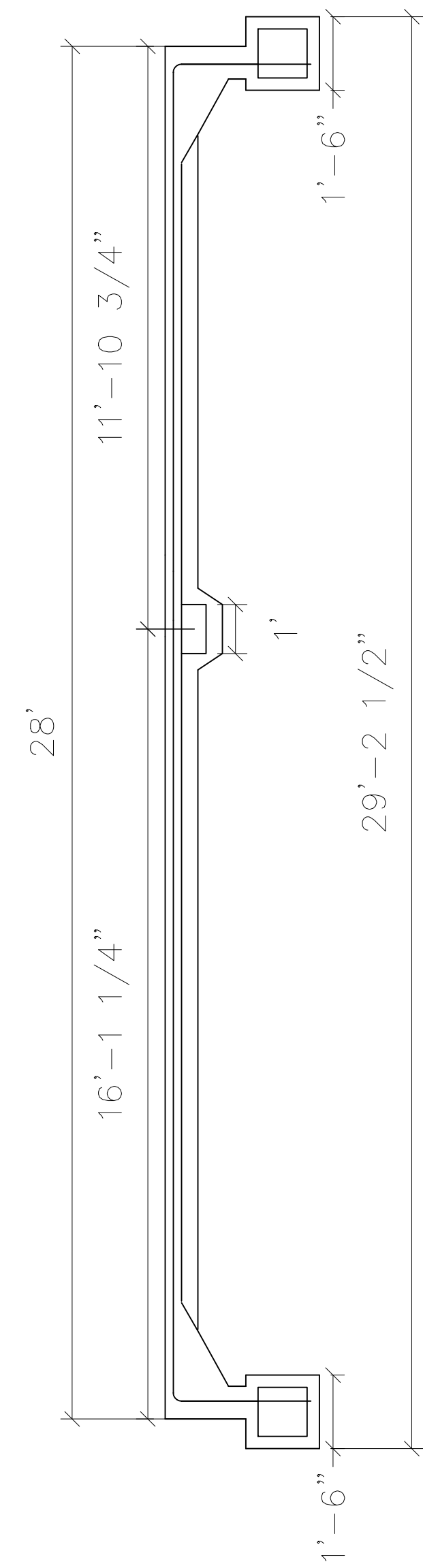
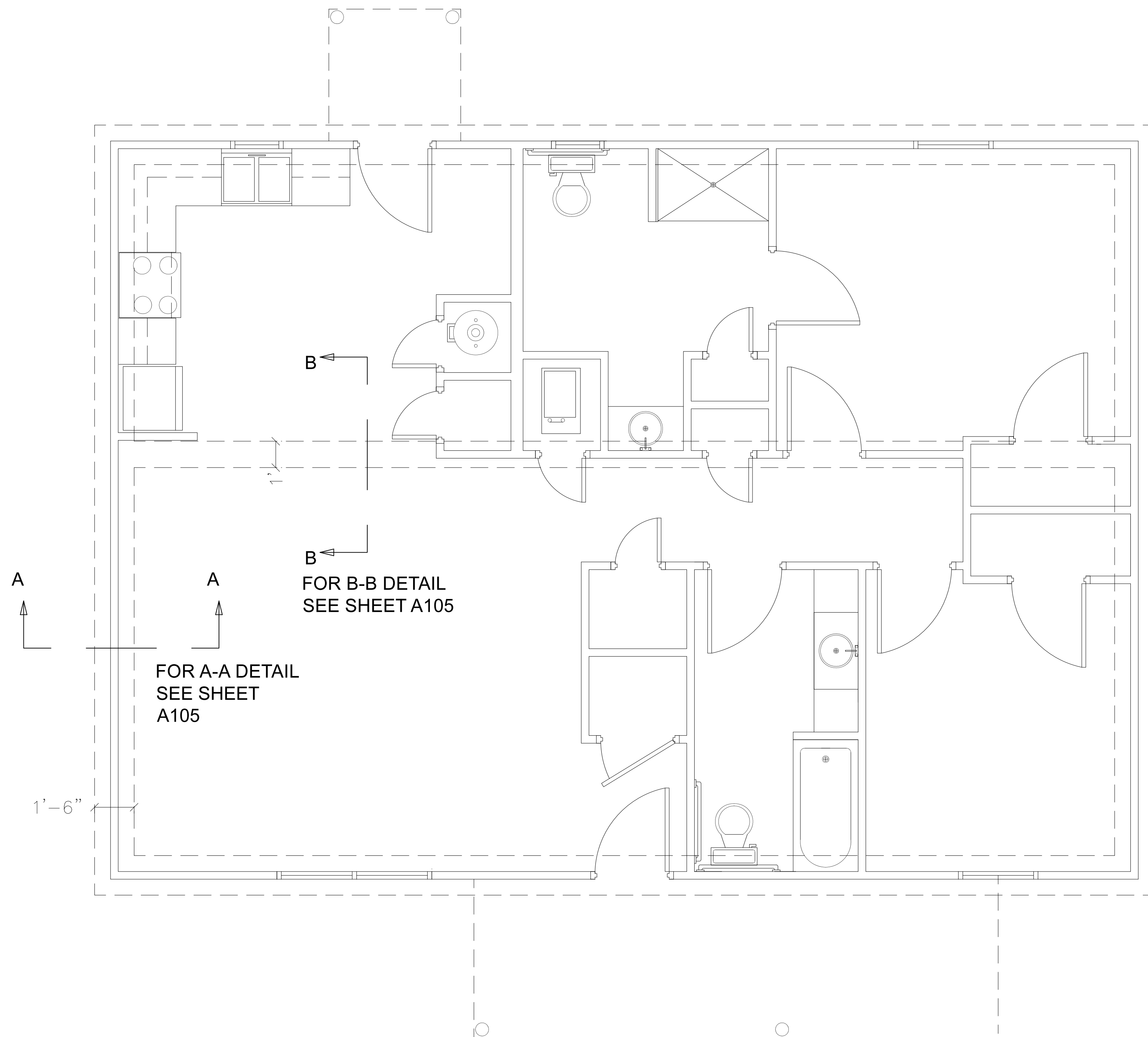
**Cherokee Nation**  
**2 Bedroom Floor Plan**  
**1091 Square Feet**

**CLIENT: Cherokee Nation**  
 Housing Authority


NO.	REVISION	DATE	BY	DESIGNED BY:	APPROVED BY:
				CDG	CDG
				MDD	MDD
					Mar. 2022

**A102**  
 SHEET NO.





SCALE  
3/8" = 1'



**ENGINEER**  
KAS Gales Company  
Consulting Engineers  
18772 Harmon Road  
Fayetteville, AR 72704  
Wk. 479.361.9977 Cell 479.422.0763  
Email: carl.d.gales@gmail.com

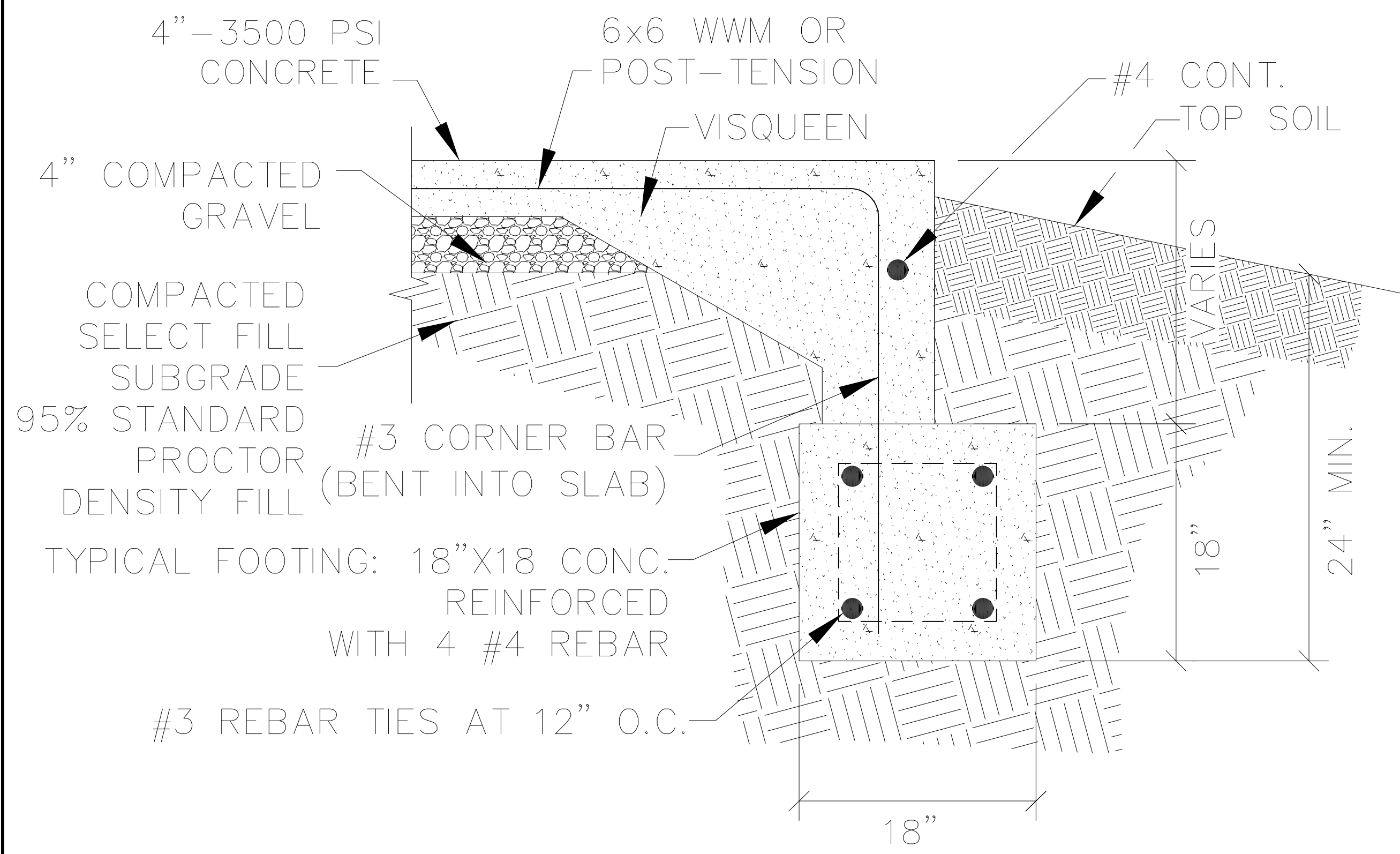
**Cherokee Nation  
2 Bedroom Foundation Plan  
1091 Square Feet**

**CLIENT: Cherokee Nation  
Housing Authority**

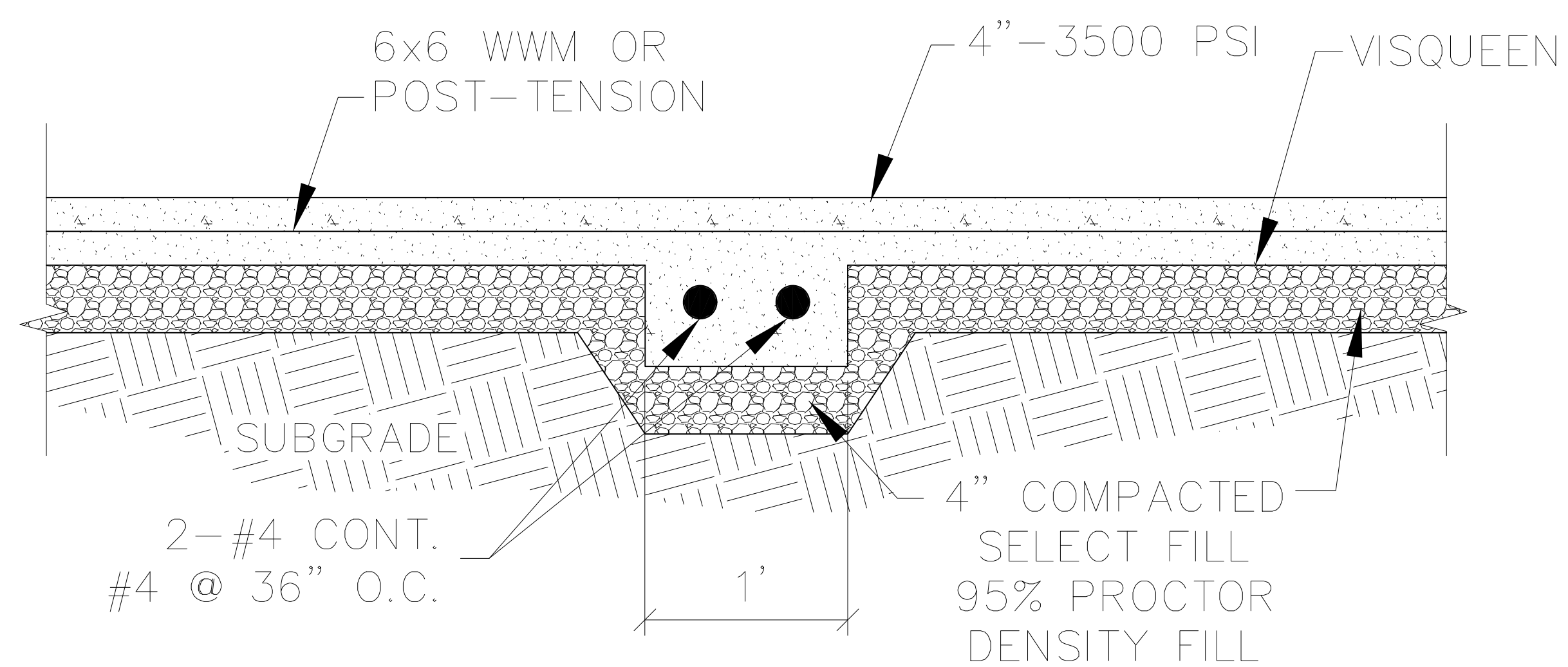
DESIGNED BY: CDG	APPROVED BY:	DRAWN BY: MDD	DATE PREPARED: Mar. 2022
NO.	REVISION	DATE	BY

**A104**  
SHEET NO.

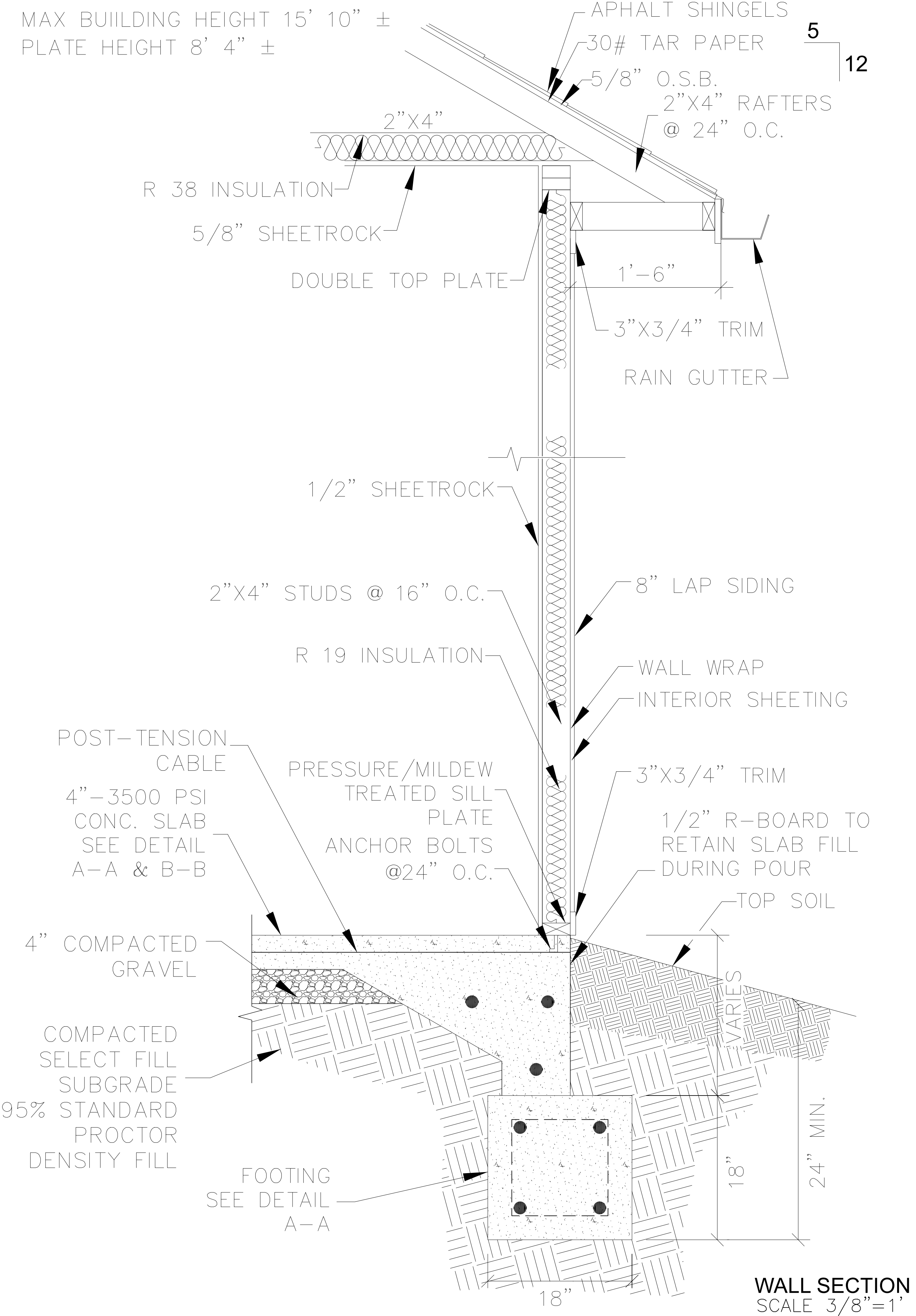




**A-A SECTION  
FOUNDATION DETAIL**  
SCALE N.T.S.



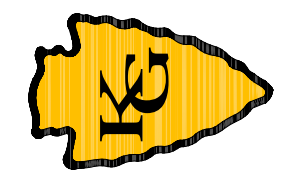
**B-B SECTION  
FOUNDATION DETAIL**  
SCALE N.T.S.



**WALL SECTION**  
SCALE 3/8"=1'

MAX BUILDING HEIGHT 15' 10" ±  
PLATE HEIGHT 8' 4" ±

**ENGINEER**  
KAS Gales Company  
Consulting Engineers  
18772 Harmon Road  
Fayetteville, AR 72704  
Wk. 479.361.9977 Cell 479.422.0763  
Email: carl.d.gales@gmail.com



Cherokee Nation  
2 Bedroom Foundation Details  
1091 Square Feet

CLIENT: Cherokee Nation  
Housing Authority

DESIGNED BY:	APPROVED BY:	DATE PREPARED:
CDG	CDG	Mar. 2022
DRAWN BY:	BY	DATE
MDD		
NO.	REVISION	DATE

**A105**  
SHEET NO.













