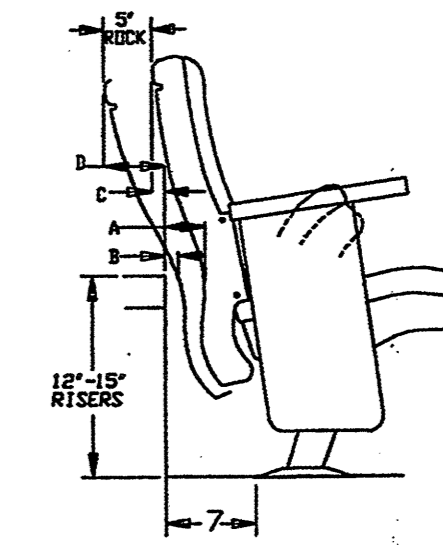


# EXHIBIT A

## GOLD STRIKE THEATRE CARPET REPLACEMENT 2024

#51565 FLOOR MOUNT AT RISERS



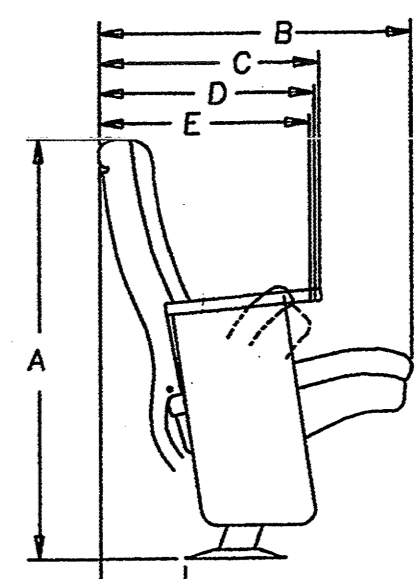
12" RISER	
PITCH	A B C D
22"	2 1/4 3/4 4 7/8 9 7/8
18"	2 1 3 3 3/8 8 3/8

15" RISER	
PITCH	A B C D
22"	2 1/4 1/2 4 7/8 9 7/8
18"	2 3/4 3 3 3/8 8 3/8

\* ADD 5" FOR BACK TRAVEL DURING ROCKING

#51565

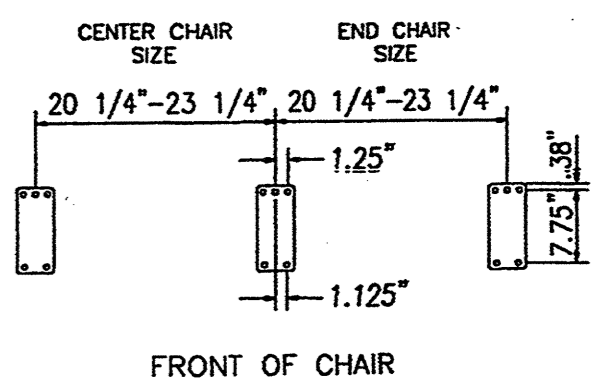


EXPLANATION OF DIMENSIONS  
 A = BACK HEIGHT  
 B = SEAT IN DOWN POSITION  
 C = REAR OF BACK TO FRONT OF END ARM  
 D = REAR OF BACK TO FRONT OF CENTER ARM  
 E = SEAT IN UP POSITION  
 F = BACK PITCH ALLOWANCE

BACK PITCH	
DIM	26" 27" 18"
A	33 1/4 34 1/8 34 7/8
B	27 3/4 28 3/4 25 1/4
C	23 22 20 1/2
D	21 7/8 20 7/8 19 3/8
E	20 1/4 19 1/4 17 3/4
F	10 5/8 9 3/8 8

\* ADD 5" FOR BACK TRAVEL DURING ROCKING

DRILLING TEMPLATE



TOLERANCE ON CHAIR LAYOUT IS +1/8"

BACK EDGE OF STD FOOT SHOWN ON THE SEATING LAYOUT IS THE BACK EDGE OF THE CENTER STD FOOT

USE REVERSE ANCHORS FOR MOVABLE BASES

VERIFY ALL BUILDING DIMENSIONS, RISER HEIGHTS, TREAD LENGTHS, FLOOR SLOPES, AND INCLINE BREAKS BY FIELD CHECK

CHAIR REDUCTION FOR CAROUSEL REDUCTION

- MODEL 51565
- 21" CHAIRS = USE 19SW20 SEATS WITH 20" BACKS LONG SEAT BRACKETS
  - 22" CHAIRS = USE 20SW21 SEATS WITH 21" BACKS LONG SEAT BRACKETS

NON ROCKER END CHAIRS HAVE SAME SIZE SEAT AND BACK AS CHAIR SIZE

PANCOAST & CLIFFORD  
 HBG MANAGEMENT  
 OCT 27 1997  
 RECEIVED

CONCRETE REQUIREMENTS:

- FLOOR MOUNTED CHAIRS: 3" THICK FREE FROM OBSTRUCTIONS FOR TOP 1 1/2"
- RISER MOUNTED CHAIRS: 4" THICK FREE FROM OBSTRUCTIONS FOR 2 1/2" FROM RISER FACE
- 150 CHAIRS BEYOND 500
- NORMAL WEIGHT CONCRETE: COMPRESSIVE STRENGTH 3000 P.S.I.
- LIGHT WEIGHT CONCRETE: NOT RECOMMENDED CHECK WITH IRWIN SEATING CO.

ACCOMMODATIONS FOR PERSONS WITH DISABILITIES

- ALTHOUGH IT IS THE RESPONSIBILITY OF THE OWNER AND/OR ARCHITECT OF THIS FACILITY TO PROVIDE VIEWING SPACES FOR PERSONS WITH DISABILITIES, IRWIN SEATING COMPANY SUGGESTS THE FOLLOWING (BASED ON THE A.D.A. CIVIL RIGHTS LAW):
- 51 TO 300 CHAIRS - 4 WHEELCHAIR SPACES
  - 301 TO 500 CHAIRS - 6 WHEELCHAIR SPACES
  - OVER 500 CHAIRS - 6 + 1 FOR EACH ADDITIONAL 100 CHAIRS BEYOND 500
  - SUCH SPACES SHALL HAVE LEVEL FLOORS AND ADJOIN AN ACCESSIBLE ROUTE THAT ALSO SERVES AS A MEANS OF EGRESS IN CASE OF EMERGENCY
  - ADDITION, ONE PERCENT BUT NOT LESS THAN ONE OF THE FIXED SEATING SHOULD BE ASLE CHAIRS WITH FOLD-UP ARMRESTS
  - CONSULT TITLE 28 OF THE AMERICANS WITH DISABILITIES ACT FOR ALL REGULATIONS PERTAINING TO THIS LAW AND THE LOCAL, STATE OR NATIONAL CODES (BODCA, IBC, SEC. ETC.) FOR THE BUILDING CODE REQUIREMENTS

### MAIN FLOOR CHAIR SUMMARY

0	19" CHAIRS
276	21" "
92	22" "
368	TOTAL CHAIRS

MODEL 51565 CAROUSEL ROCKER WITH #03 ENDS

47'-10"  
 TO WORKING POINT FOR SEATING AND INCLINE BREAKS

59'-0 3/16"

69'-5 1/2"

96'-3 5/8"

CAST-IRON AISLE ENDS (#03) ARE TO BE USED ON MODEL 51565 CAROUSEL ROCKER AISLE CHAIR BOTH ENDS WILL NOT ROCK

ADDED # & LET. PLTS., COLORS, RED. NOTE B.K. 10/16/97  
 ADDED MOV.BS. 4TH ROW/AND FLOPNG. B.K. 10/06/97

BACK PITCH: 18" AND 20"	ACCESSORIES	REVISIONS	DATE	SEATING LAYOUT
CHAIR NO.: 51565/#03 FLOOR MOUNTED	CADDY CUPHOLDERS ON CENTERS ONLY	ADDED CUPHOLDERS, REVISED RADII, SEATING.	B.K. 1/29/97	FOR: CIRCUS CIRCUS - MISSISSIPPI
WOOD FINISH: # 2 EBONY ON MAPLE	MOVABLE BS: 4 WITH 3-21", 1 WITH 2-21"	REMOVED 20" CHAIRS, REV. INCL. BRK LOC.	B.K. 2/5/97	LOCATED: ROBINSONVILLE, MISSISSIPPI
POWDER COAT: # 28 BLACK	76 REGULAR AISLE LIGHTS (ROUND)	CORRECTED WORKING POINT PER C.C.	B.K. 2/13/97	DATE: 1/14/97 SCALE: 1/4"=1'-0" FLOOR IS CONCRETE
FABRIC: CANADIAN VELVET LOTUS BLACK	NUMBER AND LETTER PLATES	ADDED H.C. SPACES, MOV.BS.	B.K. 4/24/97	DRAWN BY: B.KANE CHECKED BY: C.C. 10-17-97
PLASTIC LAMINATE:	CHAIR SUMMARY	ADDED AISLE LIGHTS & DIM.	B.K. 5/13/97	
PLASTIC BACK AND SEAT: # 28 BLACK	SIZES	NOTE: EACH ROW LENGTH DIMENSION INCLUDES AN ADD ON OF 3" FOR EACH END STANDARD		
PLASTIC ARMS:	QUANTITY			

Denotes Area of Work

IRWIN SEATING COMPANY  
 Grand Rapids, MI

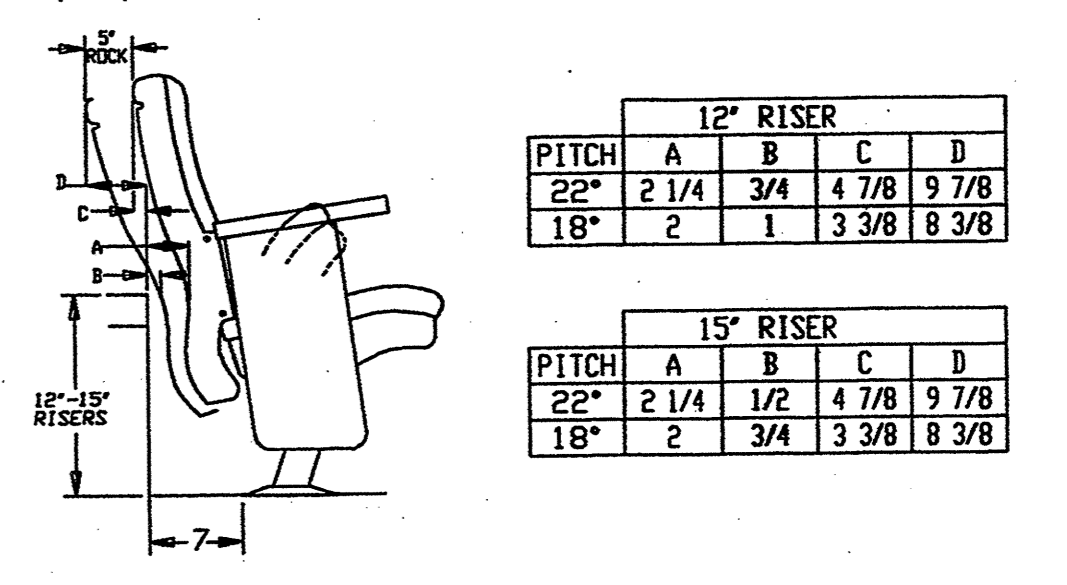
ORDER #026650  
 SHEET 1 OF 3

RANDY ROBERTS

# EXHIBIT A

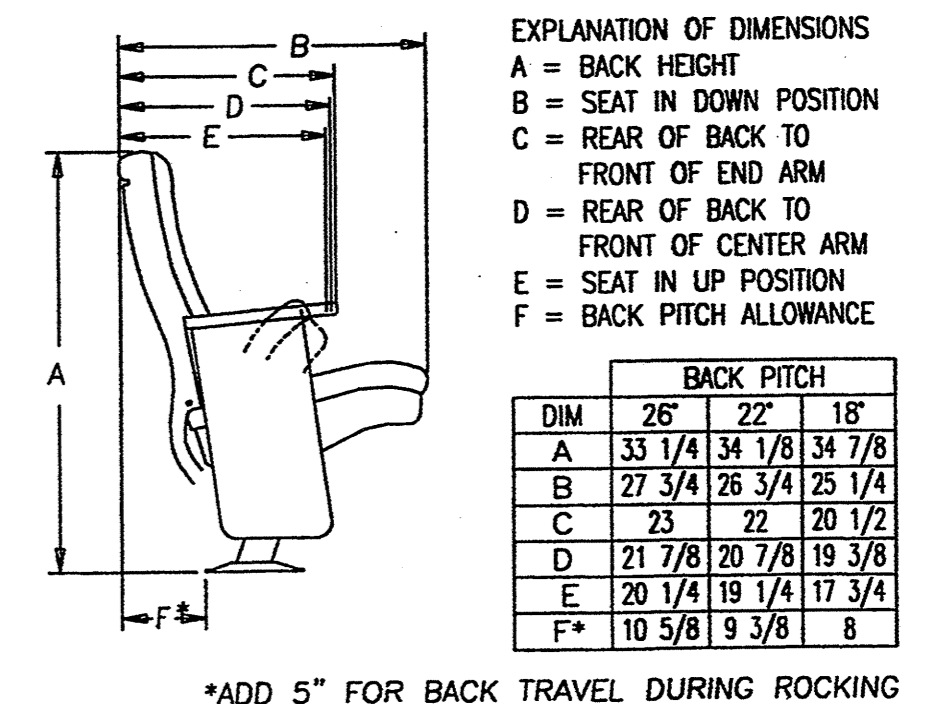
## GOLD STRIKE THEATRE CARPET REPLACEMENT 2024

#51565 FLOOR MOUNT AT RISERS

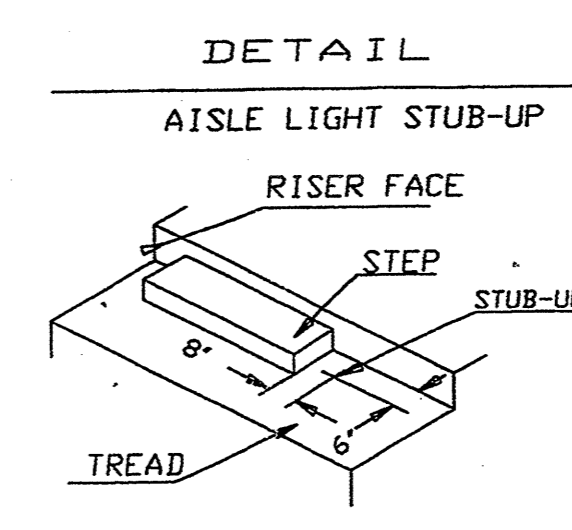
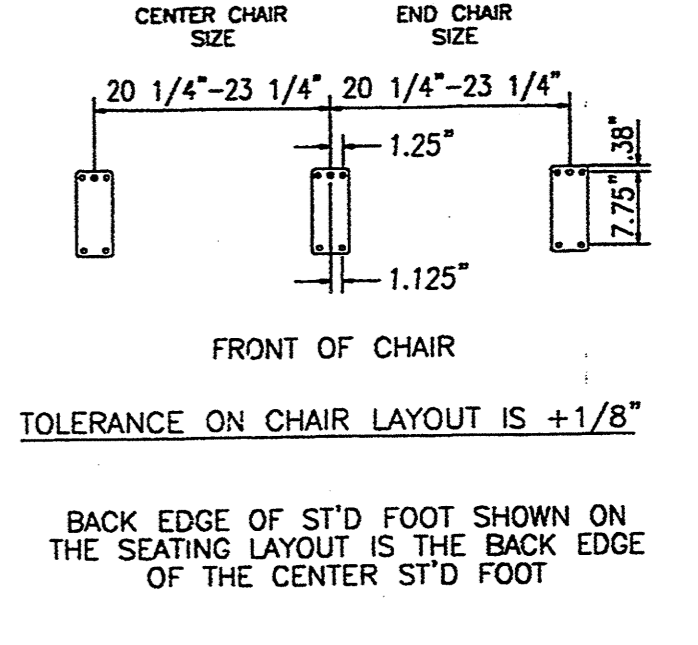


\* ADD 5" FOR BACK TRAVEL DURING ROCKING

#51565



DRILLING TEMPLATE



VERIFY ALL BUILDING DIMENSIONS, RISER HEIGHTS, TREAD LENGTHS, FLOOR SLOPES, AND INCLINE BREAKS BY FIELD CHECK

CHAIR REDUCTION FOR CAROUSEL REDUCTION

- MODEL 51565
- 20" CHAIRS = USE 19" SEATS WITH 19" BACKS REGULAR SEAT BRACKETS
  - 21" CHAIRS = USE 19SW20 SEATS WITH 20" BACKS LONG SEAT BRACKETS
  - 22" CHAIRS = USE 20SW21 SEATS WITH 21" BACKS LONG SEAT BRACKETS
- NON ROCKER END CHAIRS HAVE SAME SIZE SEAT AND BACK AS CHAIR SIZE
- ◆ = AISLE LIGHT LOCATIONS

- CONCRETE REQUIREMENTS:
- FLOOR MOUNTED CHAIRS: 3" THICK FREE FROM OBSTRUCTIONS FOR TOP 1 1/2"
  - RISER MOUNTED CHAIRS: 4" THICK FREE FROM OBSTRUCTIONS FOR 2 1/2" FROM RISER FACE
  - RISER TO BE PLUMB +OR- 1/8"
  - NORMAL WEIGHT CONCRETE: COMPRESSIVE STRENGTH 3000 P.S.I.
  - LIGHT WEIGHT CONCRETE: NOT RECOMMENDED CHECK WITH IRWIN SEATING CO.

- ACCOMMODATIONS FOR PERSONS WITH DISABILITIES
- ALTHOUGH IT IS THE RESPONSIBILITY OF THE OWNER AND/OR ARCHITECT OF THIS FACILITY TO PROVIDE VIEWING SPACES FOR PERSONS WITH DISABILITIES, IRWIN SEATING COMPANY SUGGESTS THE FOLLOWING (BASED ON THE A.D.A. CIVIL RIGHTS LAW):
- 51 TO 300 CHAIRS - 4 WHEELCHAIR SPACES  
301 TO 500 CHAIRS - 6 WHEELCHAIR SPACES  
OVER 500 CHAIRS - 6" FOR EACH ADDITIONAL 100 CHAIRS BEYOND 500
  - SUCH SPACES SHALL HAVE LEVEL FLOORS AND ADJOIN AN ACCESSIBLE ROUTE THAT ALSO SERVES AS A MEANS OF EGRESS IN CASE OF EMERGENCY
  - IN ADDITION, ONE PERCENT BUT NOT LESS THAN ONE OF THE FIXED SEATING SHOULD BE AISLE CHAIRS WITH FOLD-UP ARMRESTS
  - CONSULT TITLE III OF THE AMERICANS WITH DISABILITIES ACT FOR ALL REGULATIONS PERTAINING TO THIS LAW AND THE LOCAL, STATE OR NATIONAL CODES (BOCA, IBC, SBC, ETC.) FOR THE BUILDING CODE REQUIREMENTS

BALCONY CHAIR SUMMARY

0 - 18" CHAIRS	
352 - 21"	
48 - 22"	
400 - TOTAL CHAIRS	

MODEL 51565 CAROUSEL ROCKER

CAST-IRON AISLE ENDS (C) ARE TO BE USED ON MODEL 51565 CAROUSEL ROCKER AISLE CHAIR BOTH ENDS WILL NOT ROCK

BACK PITCH: 18" AND 20"	ACCESSORIES	REVISIONS	DATE	SEATING LAYOUT
CHAIR NO.: 51565/#03 FLOOR MOUNTED	CADDY CUPHOLDERS ON CENTERS ONLY	ADDED CUPHOLDERS, REVISED RADII, SEATING, B.K.	1/29/97	FOR: CIRCUS CIRCUS - MISSISSIPPI
WOOD FINISH: # 2 EBONY ON MAPLE	MOVABLE BS: 4 WITH 3-21", 1 WITH 2-21"	REMOVED 20" CHAIRS, REV. INCL. BRK LOC.	B.K. 2/5/97	LOCATED: ROBINSONVILLE, MISSISSIPPI
POWDER COAT: # 28 BLACK	76 REGULAR AISLE LIGHTS (ROUND)	CORRECTED WORKING POINT PER C.C.	B.K. 2/13/97	DATE: 1/14/97 SCALE: 1/4" = 1'-0" FLOOR IS CONCRETE
FABRIC: CANADIAN VELVET LOTUS BLACK	NUMBER AND LETER PLATES	ADDED H.C SPACES, MOV.BS.	B.K. 4/24/97	DRAWN BY: B.KANE CHECKED BY:
PLASTIC LAMINATE:	CHAIR SUMMARY	ADDED AISLE LIGHTS & DIM.	B.K. 5/13/97	
PLASTIC BACK AND SEAT: # 28 BLACK	SIZES SEE [SHEET] #1			
PLASTIC ARMS:	QUANTITY SEE [SHEET] #1			

NOTE: EACH ROW LENGTH DIMENSION INCLUDES AN ADD ON OF 3" FOR EACH END STANDARD

Denotes Area of Work Denotes Area of Work