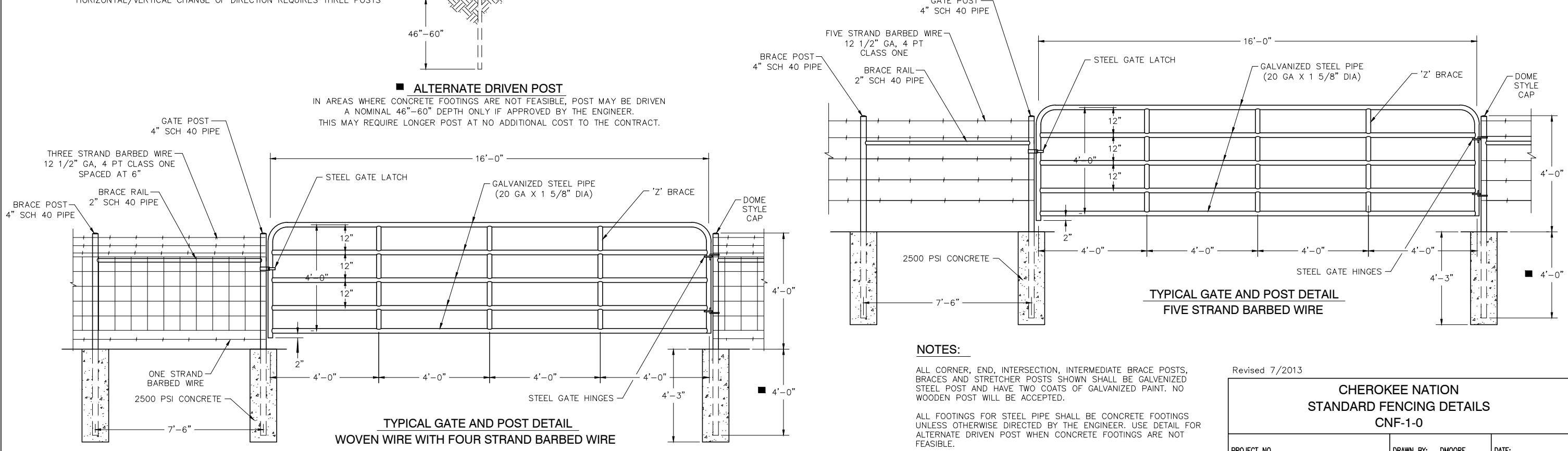


ALTERNATE DRIVEN POST
 IN AREAS WHERE CONCRETE FOOTINGS ARE NOT FEASIBLE, POST MAY BE DRIVEN A NOMINAL 46"-60" DEPTH ONLY IF APPROVED BY THE ENGINEER. THIS MAY REQUIRE LONGER POST AT NO ADDITIONAL COST TO THE CONTRACT.



NOTES:
 ALL CORNER, END, INTERSECTION, INTERMEDIATE BRACE POSTS, BRACES AND STRETCHER POSTS SHOWN SHALL BE GALVANIZED STEEL POST AND HAVE TWO COATS OF GALVANIZED PAINT. NO WOODEN POST WILL BE ACCEPTED.
 ALL FOOTINGS FOR STEEL PIPE SHALL BE CONCRETE FOOTINGS UNLESS OTHERWISE DIRECTED BY THE ENGINEER. USE DETAIL FOR ALTERNATE DRIVEN POST WHEN CONCRETE FOOTINGS ARE NOT FEASIBLE.
 REFER TO CNF-2-0 FOR ADDITIONAL DETAILS.

Revised 7/2013

**CHEROKEE NATION
 STANDARD FENCING DETAILS
 CNF-1-0**

PROJECT NO.	DRAWN BY: DMOORE	DATE:
PROJECT NAME	CHECK BY: RC	SHEET 1 of 2