

CONSULTANTS:

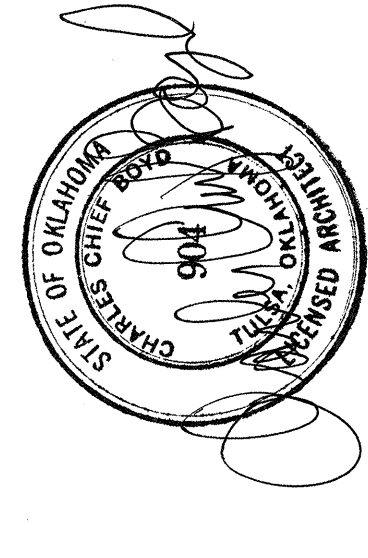
CIVIL ENGINEERING:
RM & ASSOCIATES
4100 W. 10th Street, Suite 200
Tulsa, Oklahoma 74119
PHONE: (918) 524-5078
FAX: (918) 524-5076

Mechanical Engineering:
PANKRATIUS ENGINEERING ASSOCIATES
2821 W. HORTON RIDGE PKWY., SITE 500
TULSA, OKLAHOMA 74119
PHONE: (770) 258-0000
FAX: (770) 258-0001

Structural Engineering:
CHAVEZ ORTIZ
CONSULTING ENGINEERS, INC.
1000 W. 10th Street, Suite 200
ALBUQUERQUE, NEW MEXICO 87109
PHONE: (505) 242-4200
FAX: (505) 242-4209

Interior Design:
RODRIGUEZ CONSULTING
800 SOUTH UNIVERSITY
TULSA, OKLAHOMA 74119
PHONE: (918) 524-5078
FAX: (918) 524-5076

SCALE:



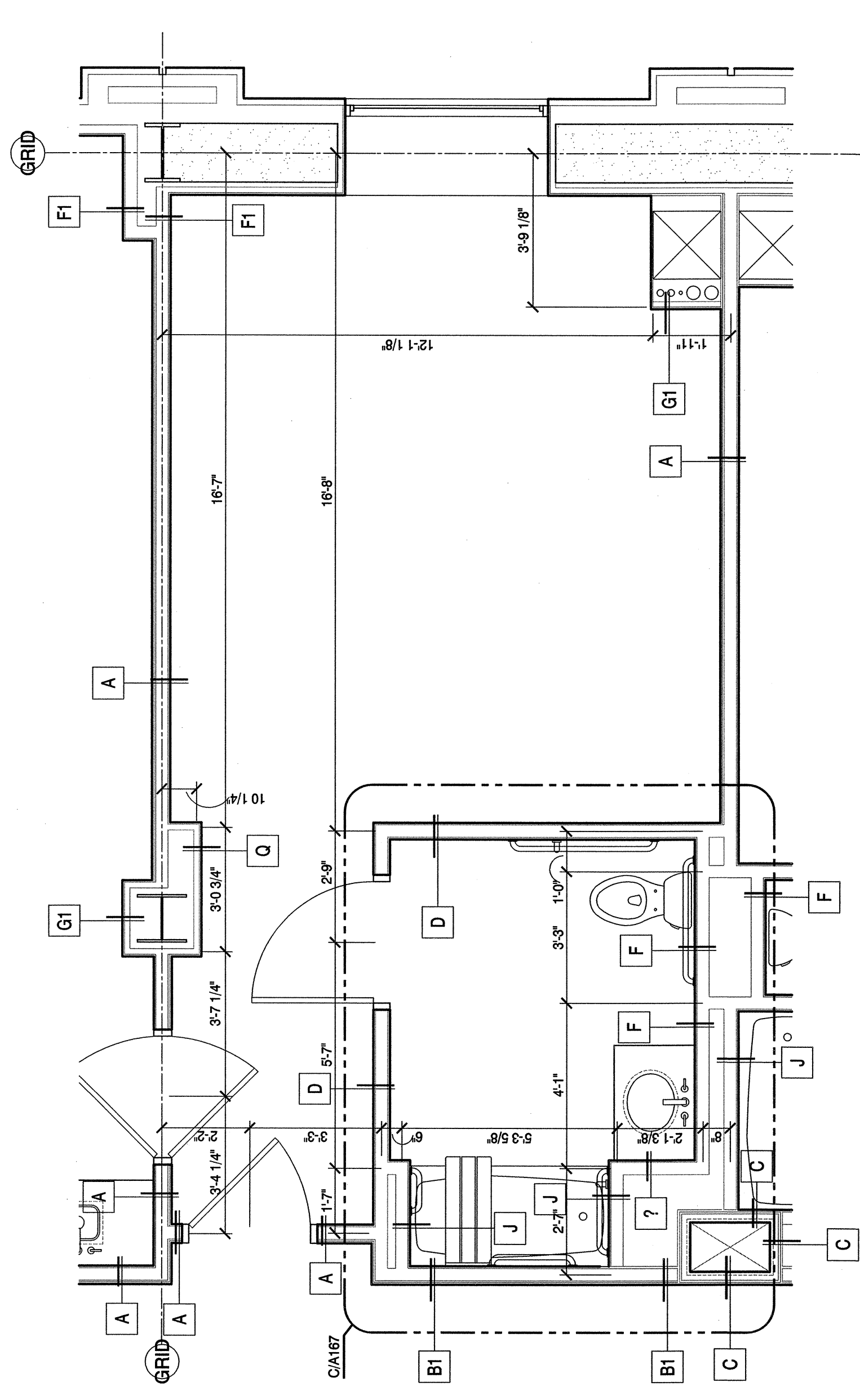
REVISIONS:

03/16/2008 CONCEPT HOTEL RENTAL

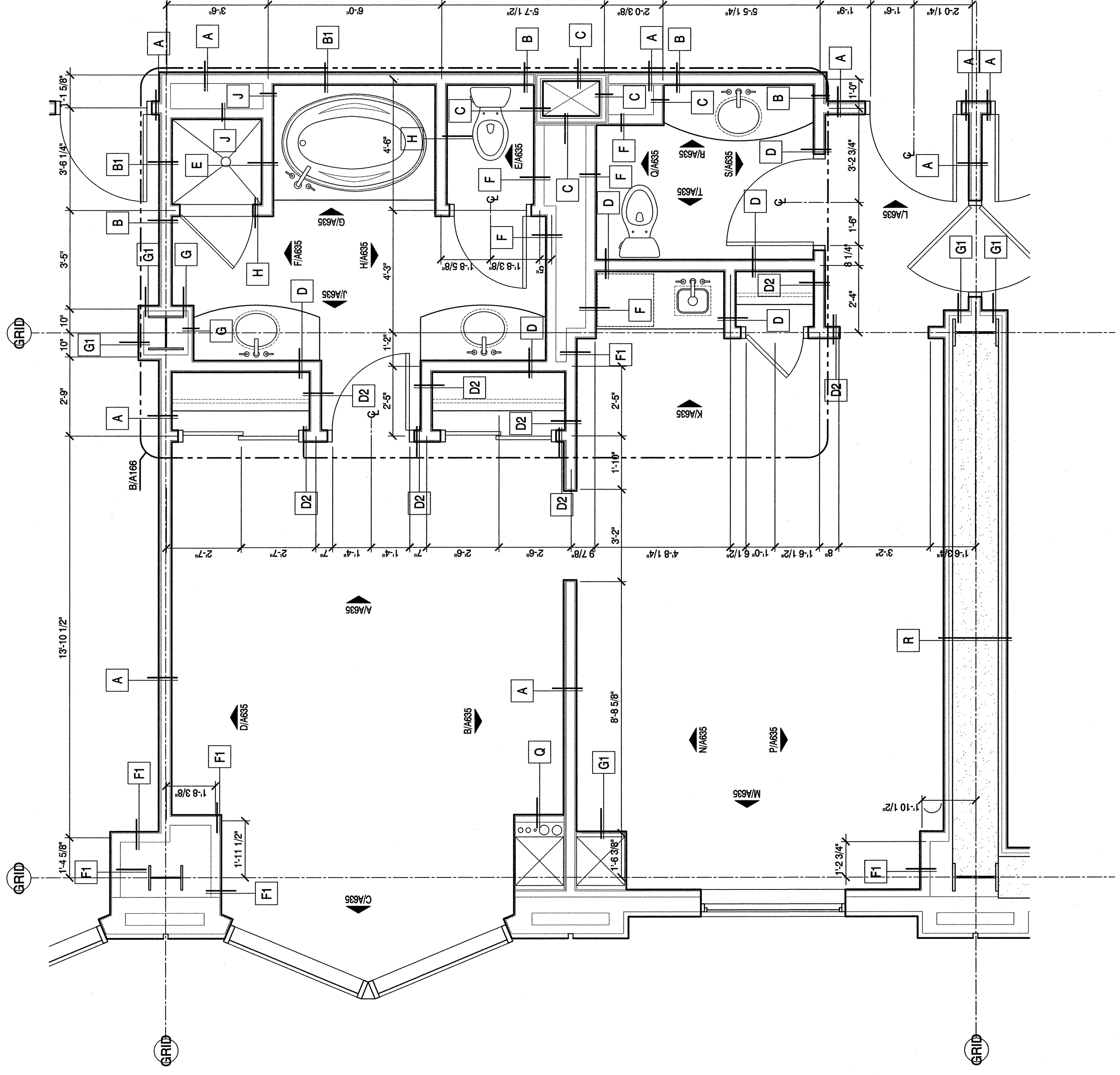
04/10/2008 HOTEL INTERIOR PACKAGE

05/09/2008 CONSTRUCTION DOCUMENTS

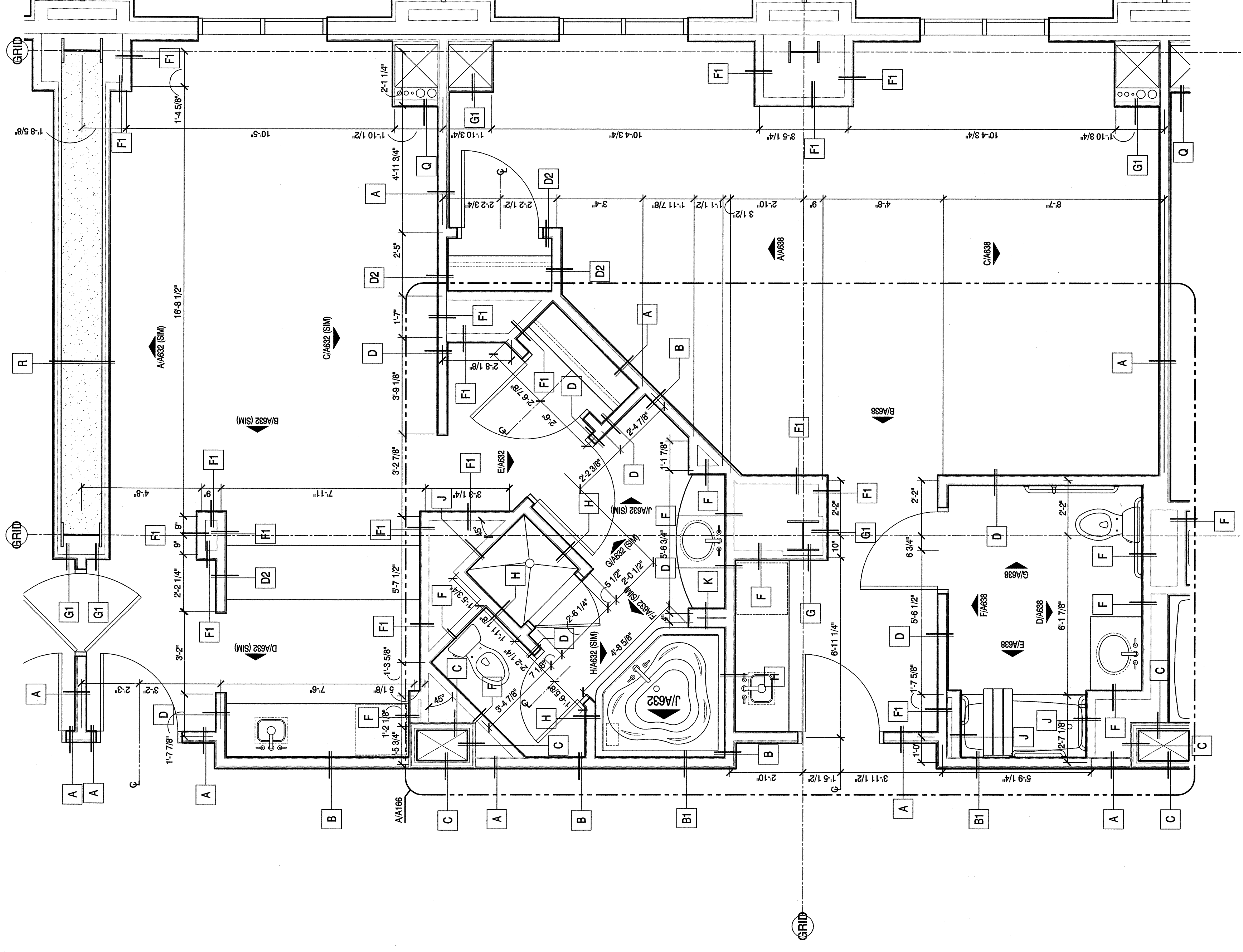
NO. BY DATE



C TYPICAL ADA KING AT CHIEF SUITE ENLARGED PLAN
SCALE: 3/8" = 1'-0"



B TYPICAL FULL SUITE ENLARGED PLAN
SCALE: 3/8" = 1'-0"



A TYPICAL KING MINI SUITE AND ADA QUEEN MINI SUITE ENLARGED PLANS
SCALE: 3/8" = 1'-0"

TITLE:
ENLARGED FLOOR
PLANS - UNIT TYPES

PROJECT NO.: 05412
DATE: 02/15/2008
SCALE: AS SHOWN
CONSTRUCTION
DOCUMENTS
DRAWING NO.