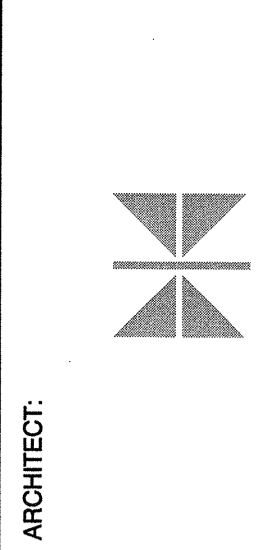




2007  
**CHEROKEE CASINO  
 EXPANSION**  
 Catoosa, Oklahoma



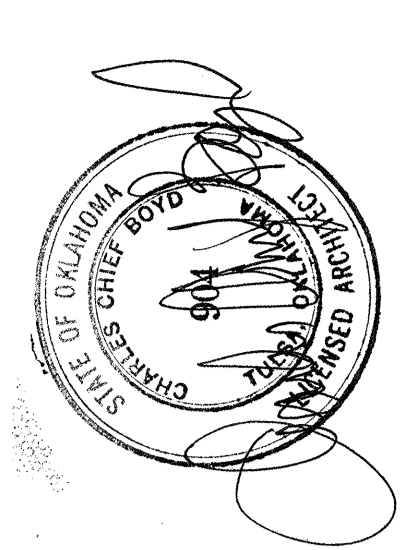
**Thalden • Boyd Architects**  
 16 East 19th Street, Suite 500  
 Tulsa, Oklahoma 74104  
 Phone: (918) 587-7245  
 Fax: (918) 587-7246  
 St. Louis, MO Las Vegas, NV

**THALDEN BOYD ARCHITECTS, LLC**  
 COPYRIGHT 2007

THESE DRAWINGS AND DIMENSIONS ARE COPYRIGHTED  
 BY THALDEN BOYD ARCHITECTS, LLC. ALL RIGHTS RESERVED.  
 NO PART OF THESE DRAWINGS MAY BE REPRODUCED  
 OR TRANSMITTED IN ANY FORM OR BY ANY MEANS  
 WITHOUT PERMISSION IN WRITING FROM THALDEN BOYD  
 ARCHITECTS, LLC.

**CONSULTANTS:**  
 CIVIL ENGINEERING:  
 H. J. BOYD & ASSOCIATES  
 1100 N. WILSON AVENUE  
 TULSA, OKLAHOMA 74106  
 PHONE: (918) 524-5078  
 FAX: (918) 524-5078  
 MECHANICAL, ELECTRICAL & PLUMBING ENGINEERING:  
 PINSINGIAN ERKINSON ASSOCIATES  
 2821 W. HENRIEFERSON, SUITE 200  
 HENRIEFERSON, NY 14622  
 PHONE: (716) 663-9900  
 FAX: (716) 663-9900  
 www.kelloggins.com  
 STRUCTURAL ENGINEERING:  
 CHRYSLER GROUP SERVICES, INC.  
 CONSULTING SERVICES, INC.  
 8509 JEFFERSON, NE  
 ALBUQUERQUE, NM 87119  
 PHONE: (505) 344-4200  
 FAX: (505) 343-8759  
 ROOFS/ROOFING CONSULTING:  
 BLASDEL & ASSOCIATES  
 1802 SOUTHLEWIS AVE  
 TULSA, OKLAHOMA 74106  
 PHONE: (918) 749-1933  
 FAX: (918) 749-8504

SEAL:



REVISIONS:

04/10/2008	HOTEL/FINISH/POCKAGE
05/09/2008	CONSTRUCTION DOCUMENTS

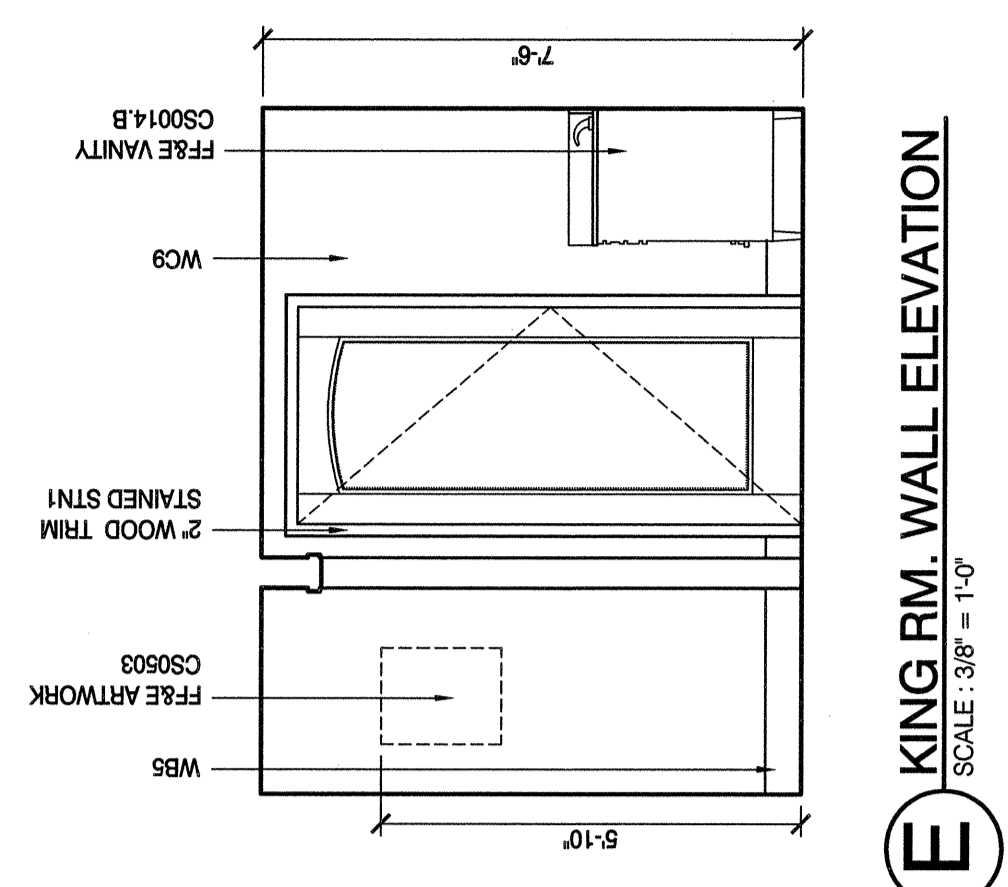
NO. BY DATE

TITLE:  
**KING ROOM INTERIOR  
 WALL ELEVATIONS**

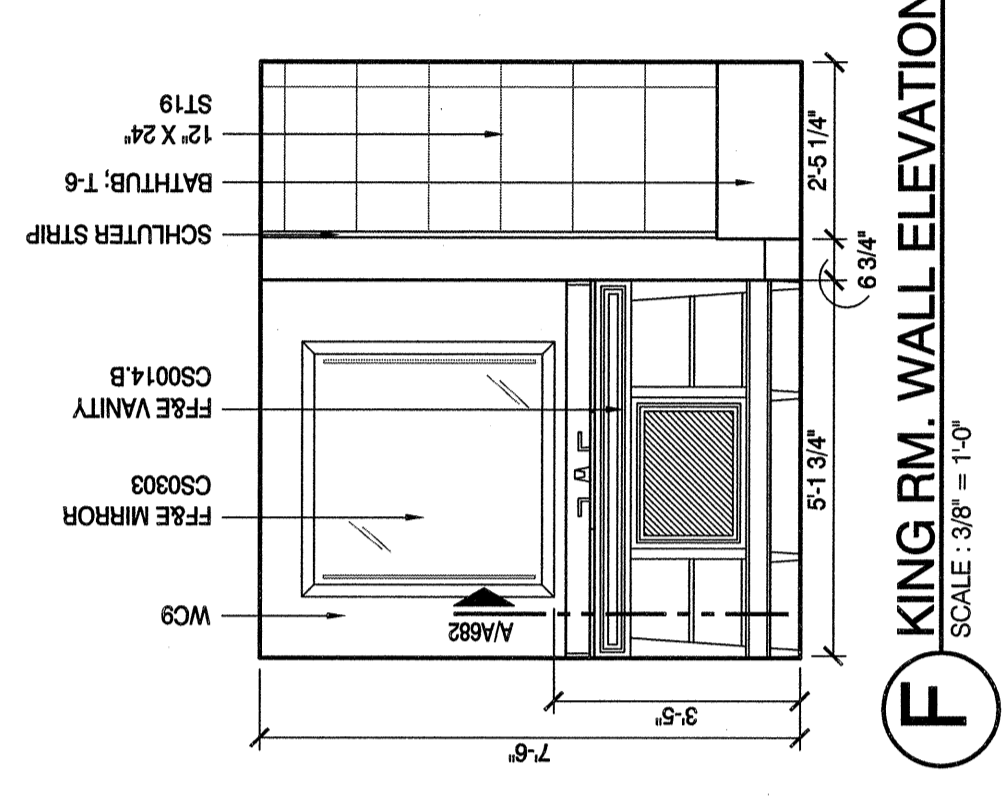
PROJECT NO.: 05412  
 DATE: 02/15/2008  
 SCALE: AS SHOWN

CONSTRUCTION DOCUMENTS  
 DRAWING NO.

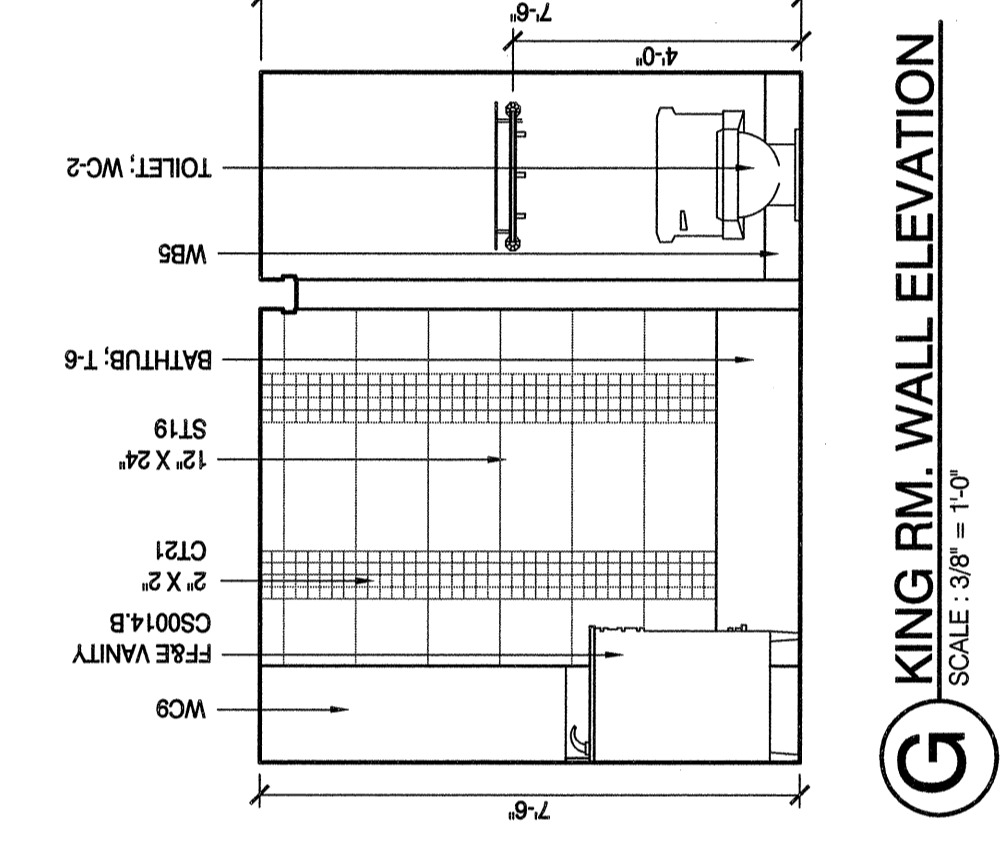
**A629**



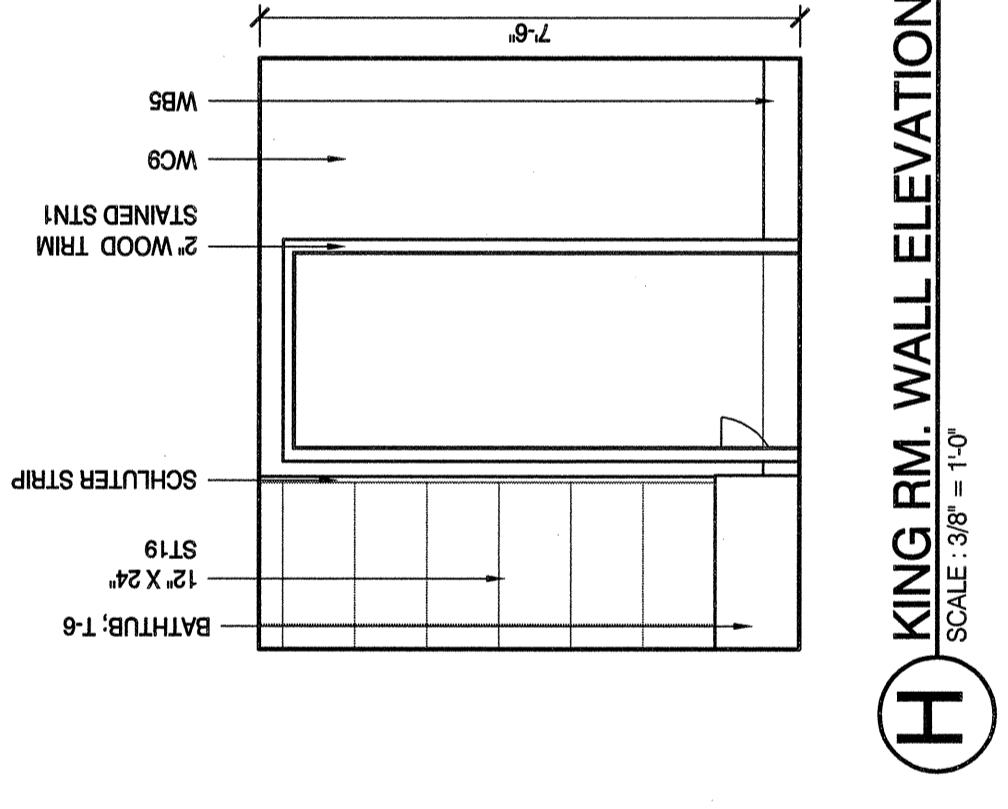
**E KING RM. WALL ELEVATION**  
 SCALE: 3/8" = 1'-0"



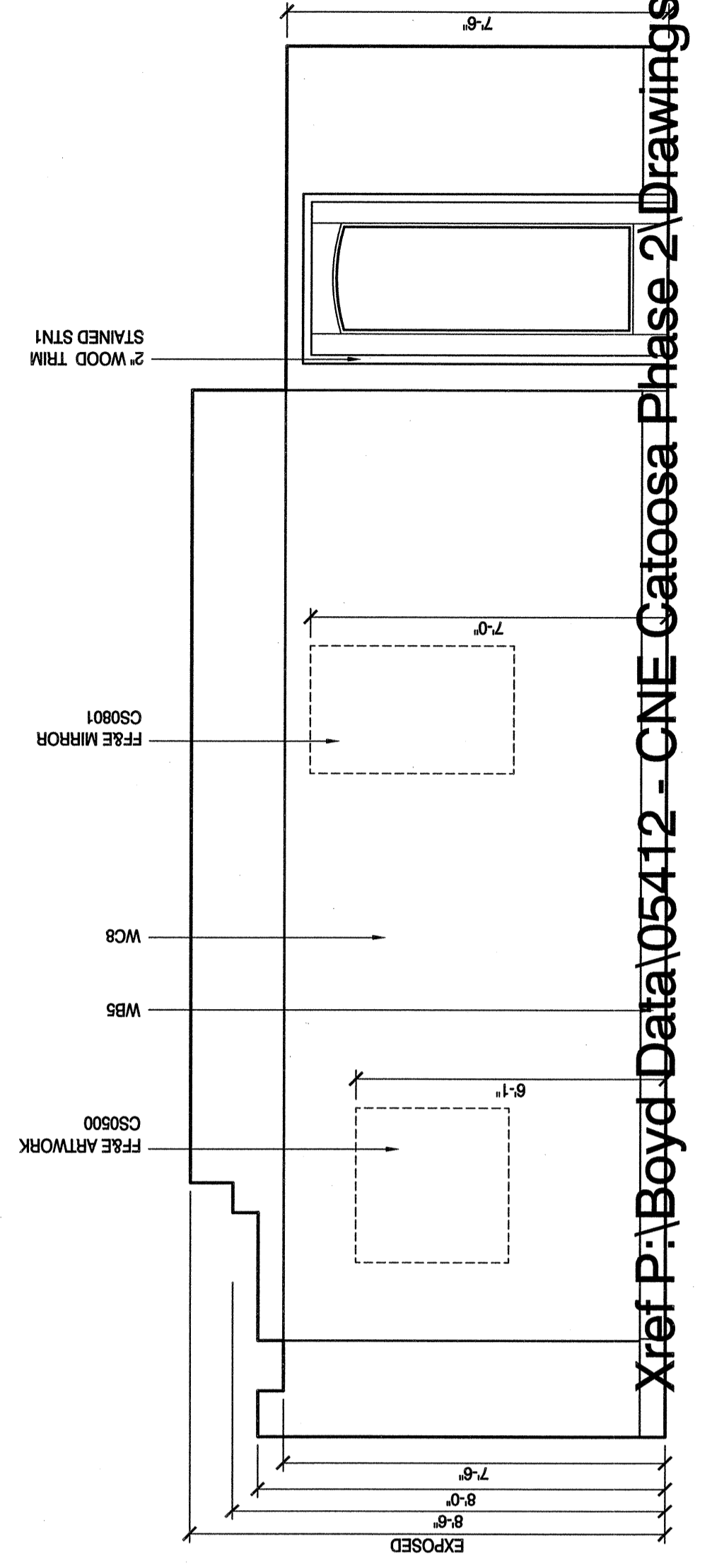
**F KING RM. WALL ELEVATION**  
 SCALE: 3/8" = 1'-0"



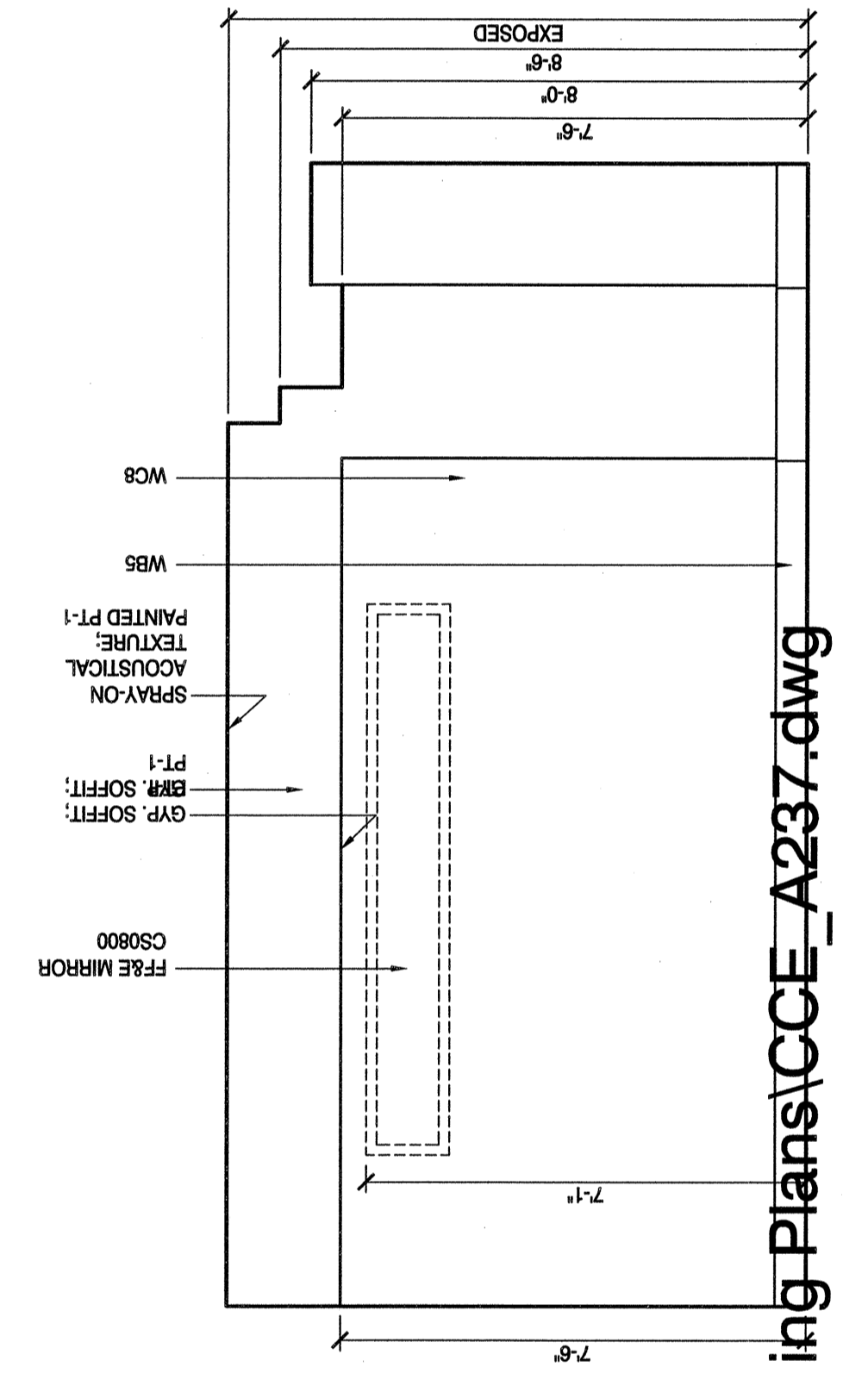
**G KING RM. WALL ELEVATION**  
 SCALE: 3/8" = 1'-0"



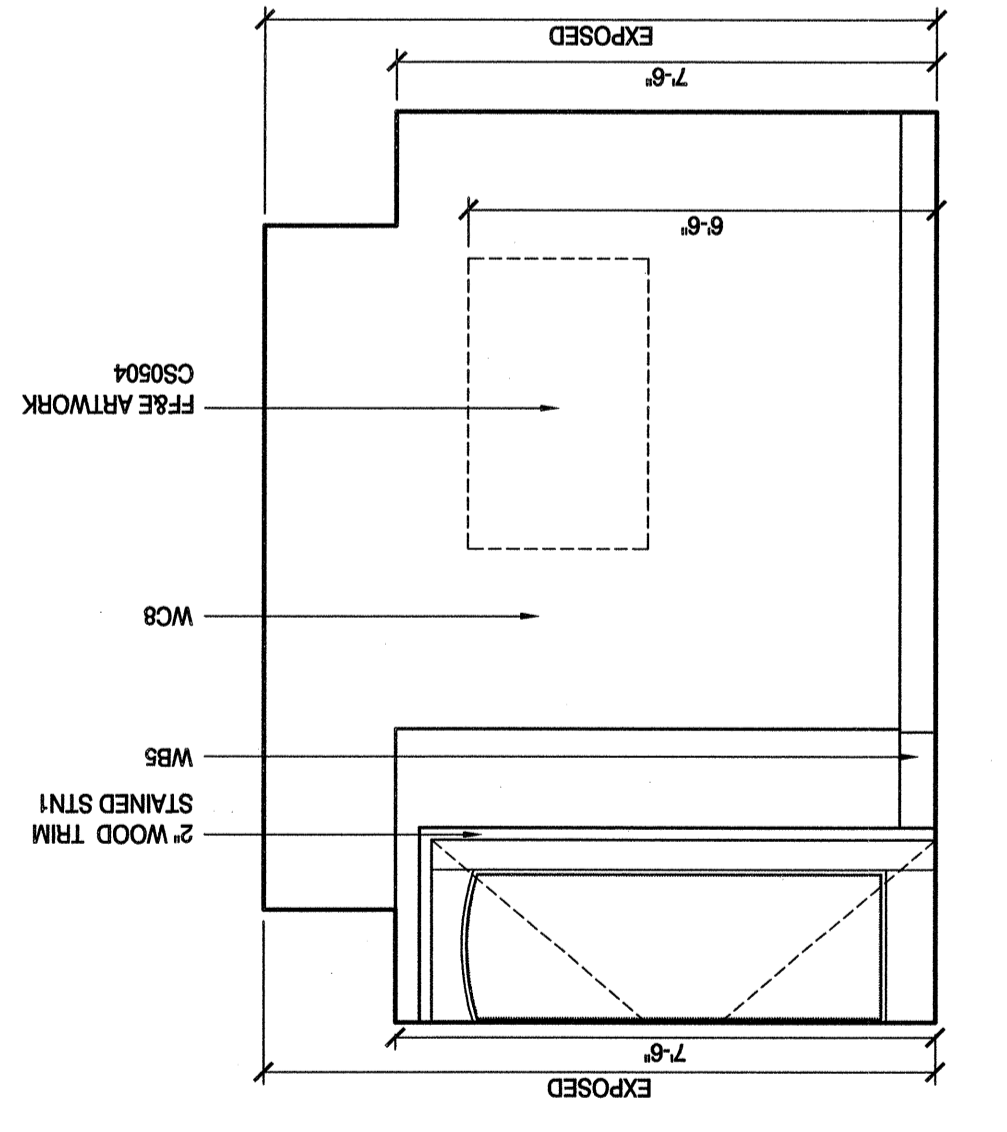
**H KING RM. WALL ELEVATION**  
 SCALE: 3/8" = 1'-0"



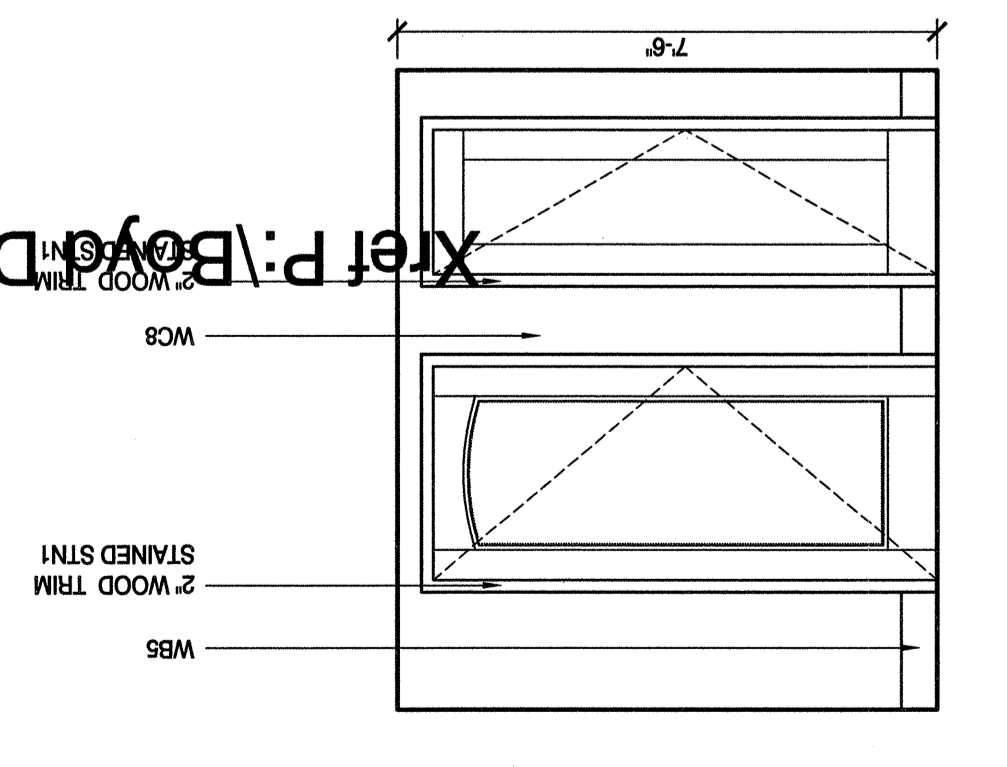
**A KING RM. WALL ELEVATION**  
 SCALE: 3/8" = 1'-0"



**B KING RM. WALL ELEVATION**  
 SCALE: 3/8" = 1'-0"



**C KING RM. WALL ELEVATION**  
 SCALE: 3/8" = 1'-0"



**D KING RM. WALL ELEVATION**  
 SCALE: 3/8" = 1'-0"

Xref P:\Boyd Data\05412 - CNE Catoosa Phase 2 Drawings  
 ing Plans\CCCE\_A237.dwg