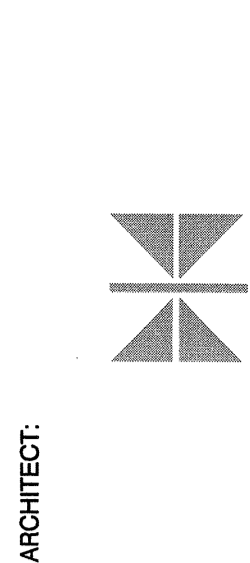


2007
**CHEROKEE CASINO
 EXPANSION**
 CATOOSA, OKLAHOMA



Thalden & Boyd Architects
A Member of American Firm
 18 East Main Street, Suite 200
 Tulsa, Oklahoma 74103
 (918) 587-7445

THALDEN BOYO ARCHITECTS, LLC
 COPYRIGHT 2007

THESE DRAWINGS AND DOCUMENTS ARE THE PROPERTY OF THALDEN BOYO ARCHITECTS, LLC. NO PART OF THESE DRAWINGS OR DOCUMENTS IS TO BE REPRODUCED OR TRANSMITTED IN ANY FORM OR BY ANY MEANS, ELECTRONIC OR MECHANICAL, WITHOUT THE WRITTEN PERMISSION OF THALDEN BOYO ARCHITECTS, LLC.

CONSULTANTS:

CIVIL ENGINEERS:
 4124 E 66 PLACE
 TULSA, OKLAHOMA 74105
 PHONE: (918) 524-5078
 FAX: (918) 524-5078

MECHANICAL/ELECTRICAL/PLUMBING ENGINEERS:
 2821 W. HODGSON STREET, SUITE 200
 HENDERSON, NV 89002
 PHONE: (702) 229-8000
 FAX: (702) 229-8001
 www.fellersregan.com

STRUCTURAL ENGINEERS:
 CONSULTING ENGINEERS, INC.
 8500 JEFFERSON, N.W.
 ALBUQUERQUE, NM 87119
 PHONE: (505) 344-4990
 FAX: (505) 344-5259

FOODSERVICE CONSULTANT:
 BLANSEL & ASSOCIATES
 1000 W. 10TH STREET, SUITE 100
 TULSA, OKLAHOMA 74106
 PHONE: (918) 726-1833
 FAX: (918) 749-8004

SEAL



REVISIONS:

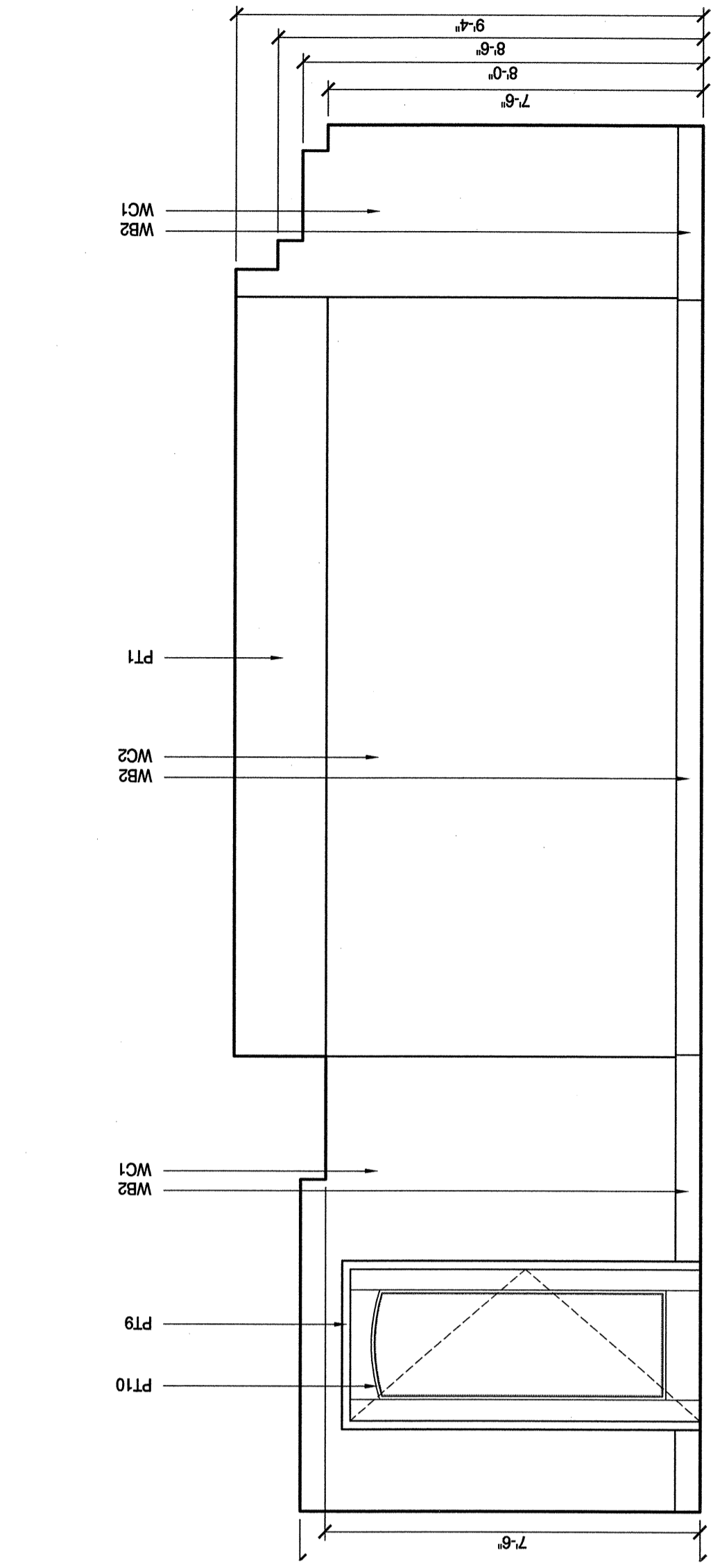
NO.	BY	DATE
1		
2		
3		
4		
5		
6		
7		
8		
9		
10		

TITLE:
**KING AND QUEEN MINI
 SUITES INTERIOR WALL
 ELEVATIONS**

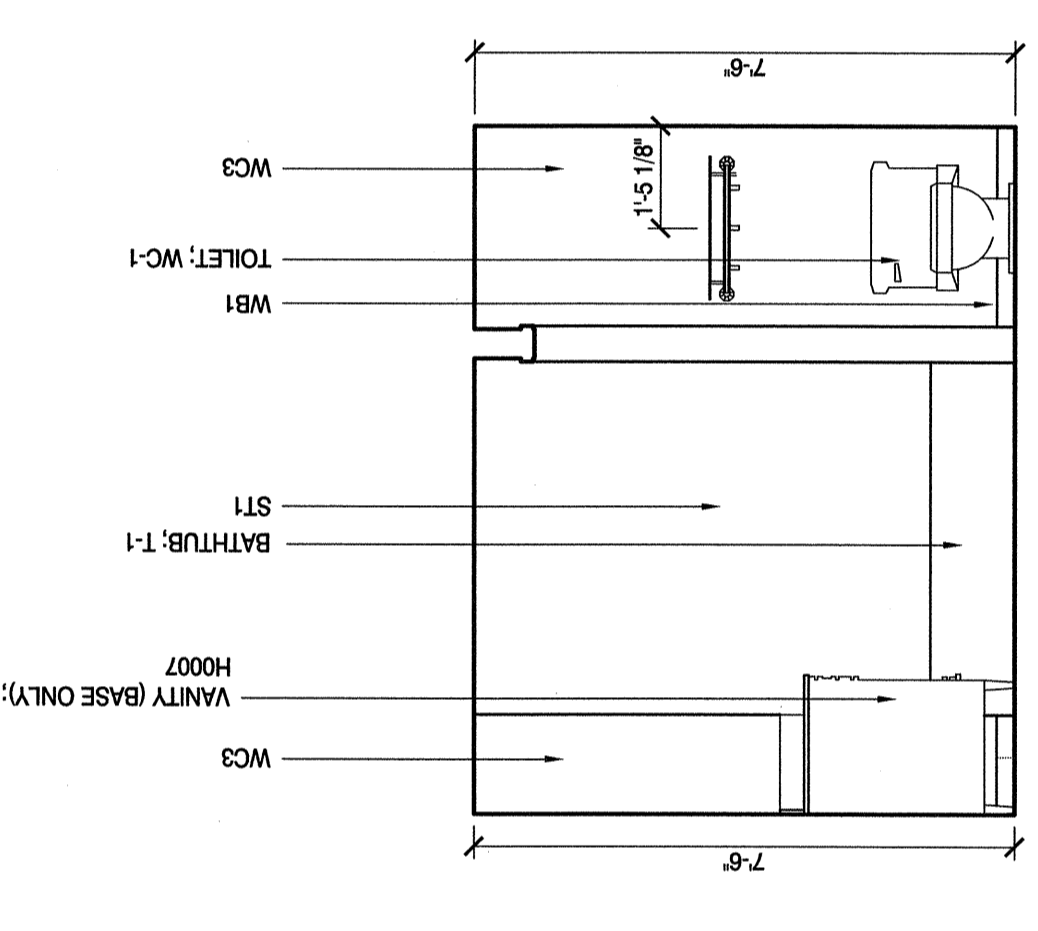
PROJECT NO.: 05412
 DATE: 02/15/2008
 SCALE: AS SHOWN

CONSTRUCTION
 DOCUMENTS
 DRAWING NO.

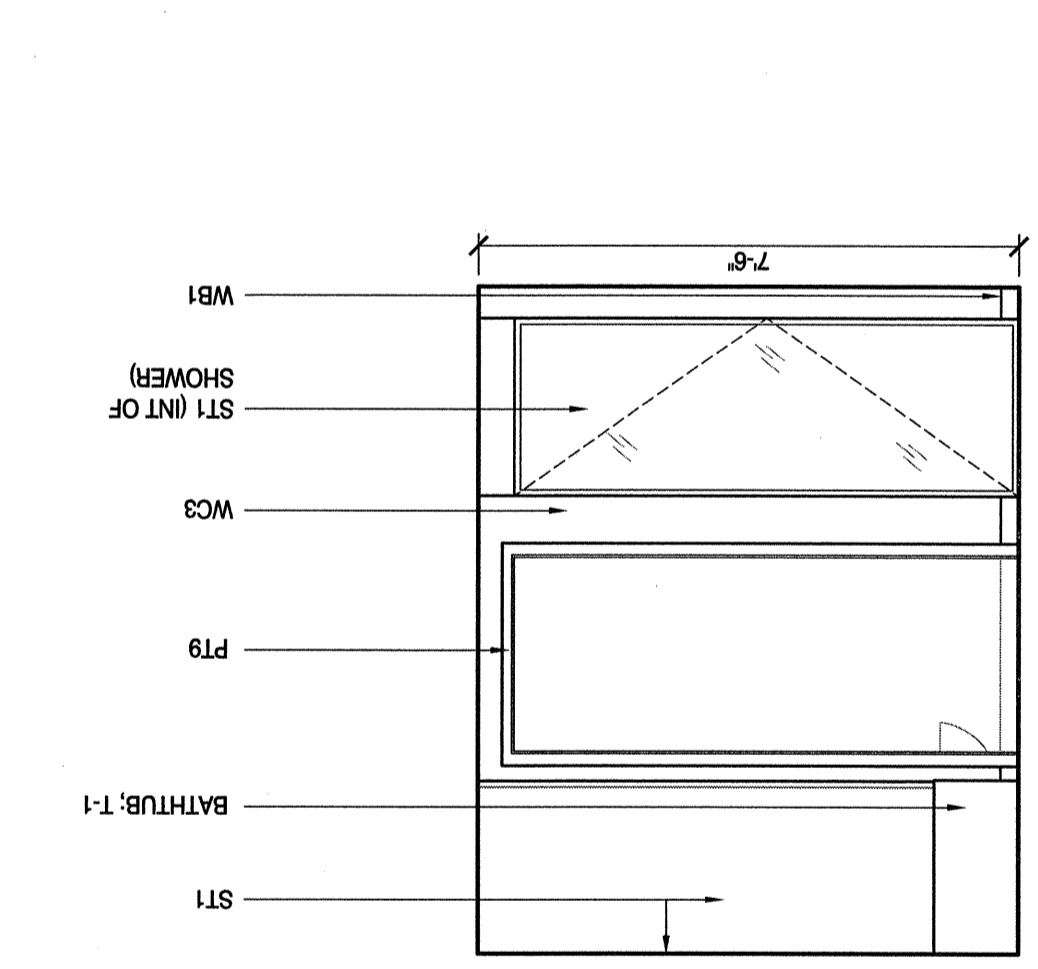
A632



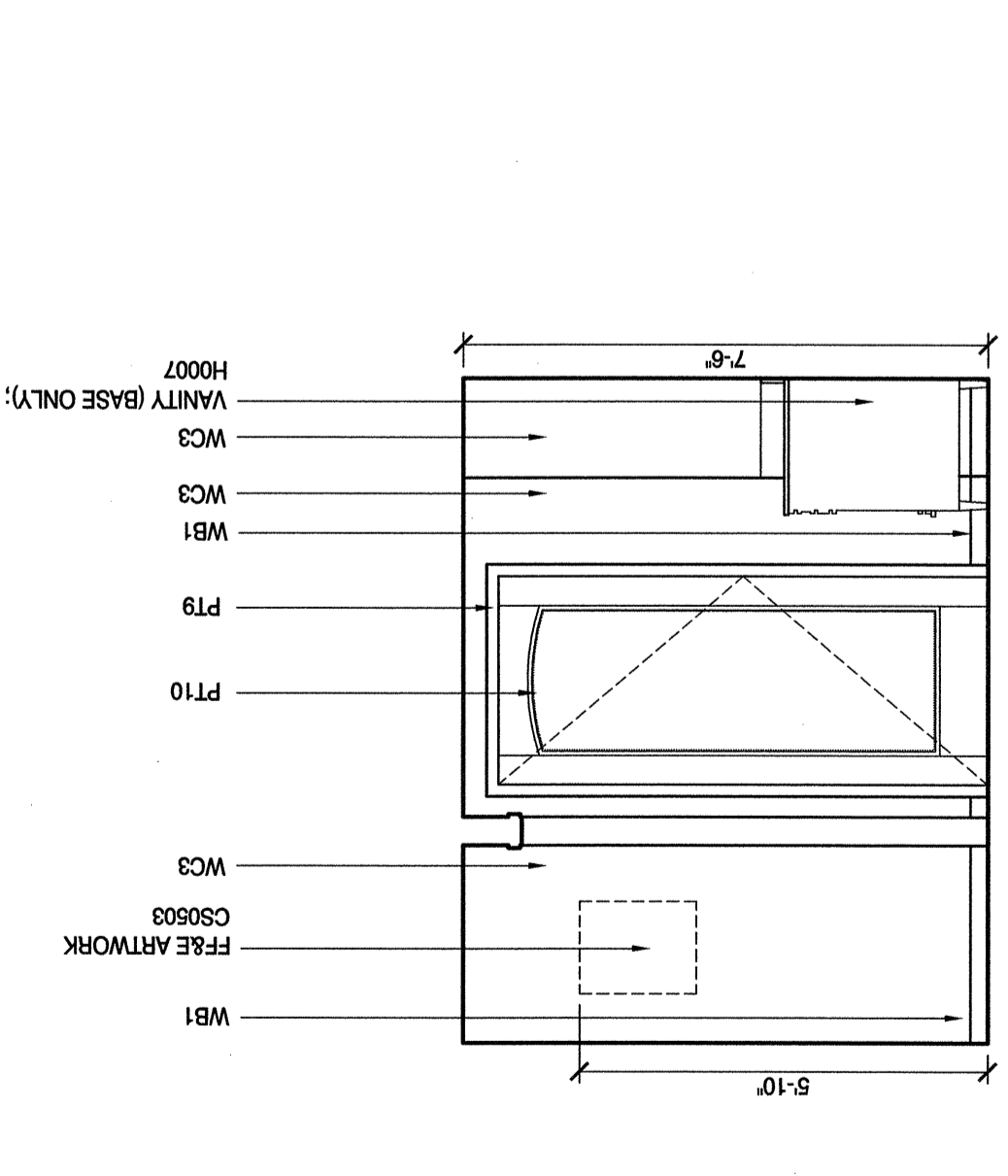
N QUEEN MINI SUITE WALL ELEVATION
 SCALE: 3/8" = 1'-0"



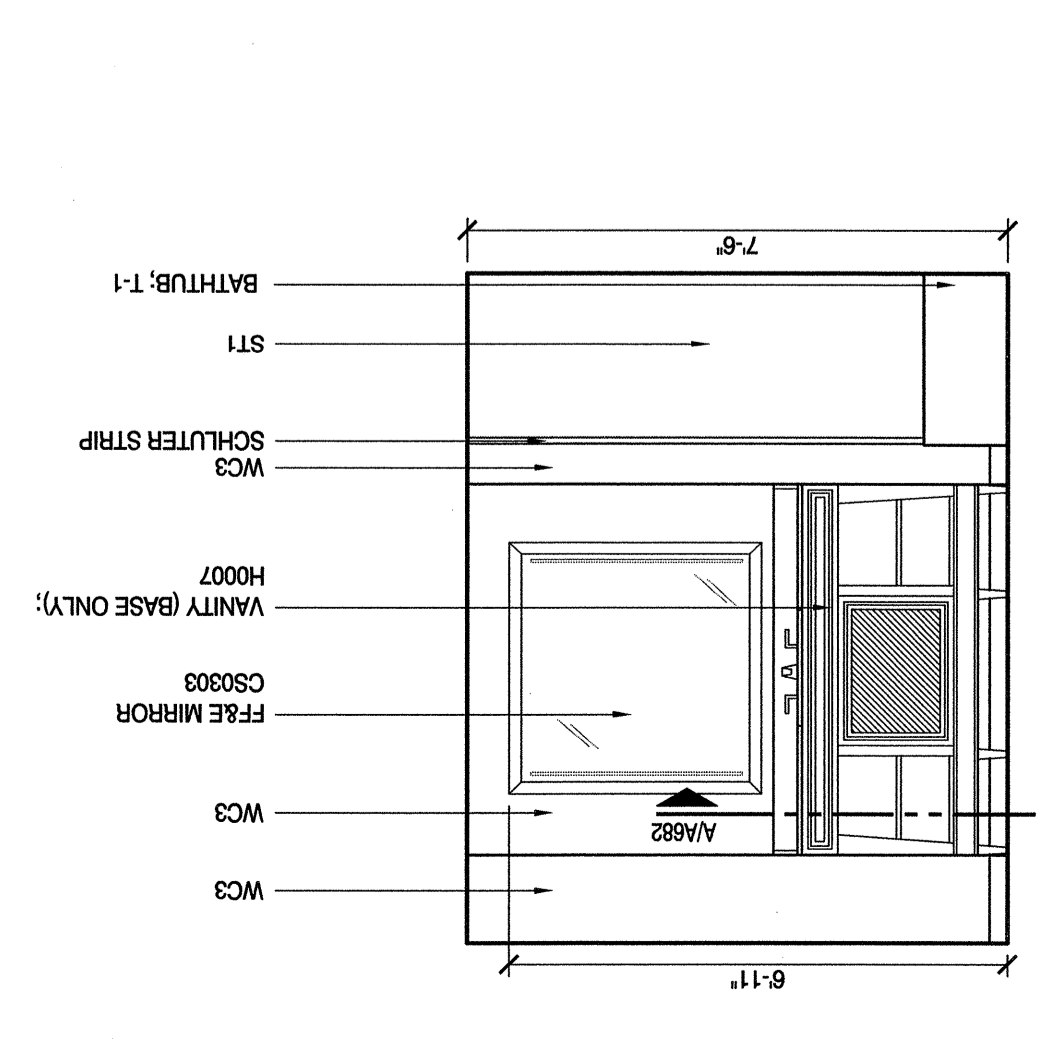
P QUEEN MINI SUITE WALL ELEVATION
 SCALE: 3/8" = 1'-0"



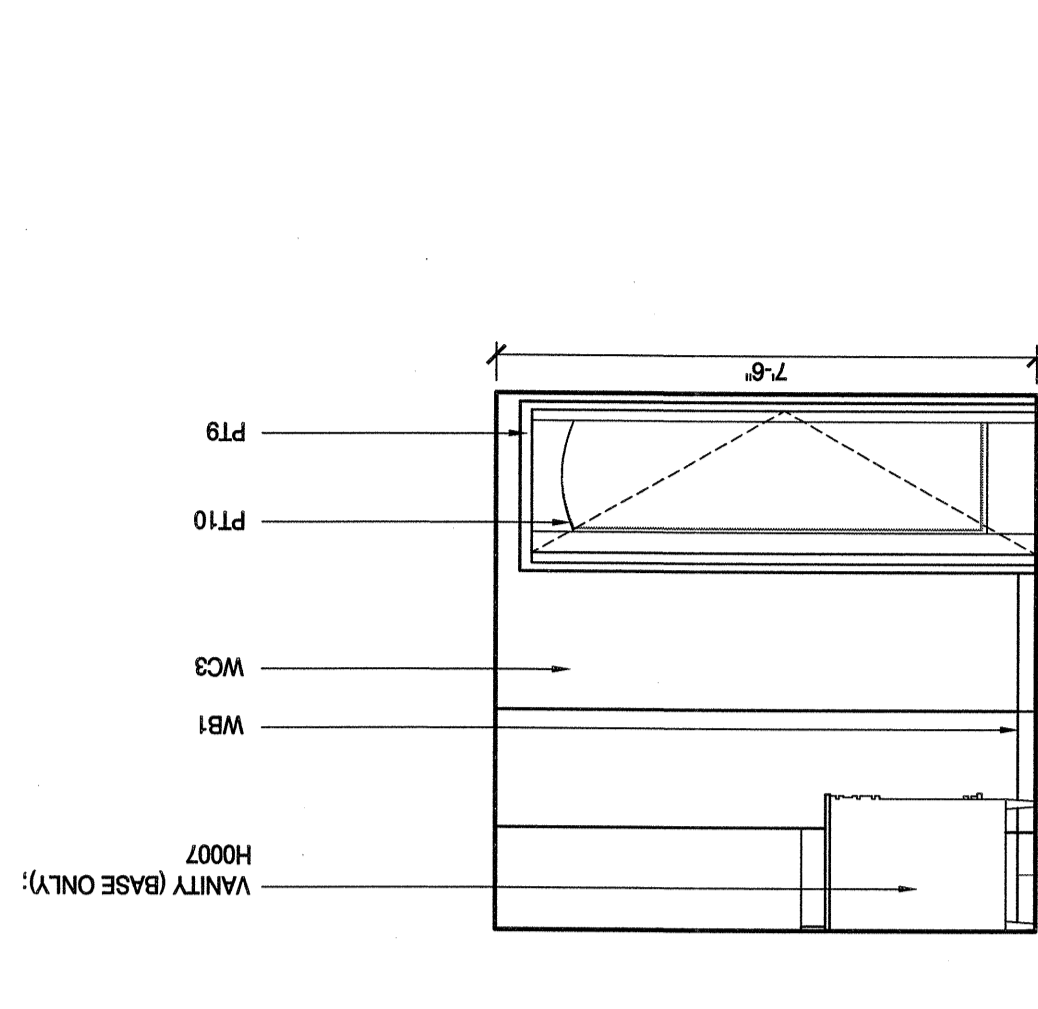
R QUEEN MINI SUITE WALL ELEVATION
 SCALE: 3/8" = 1'-0"



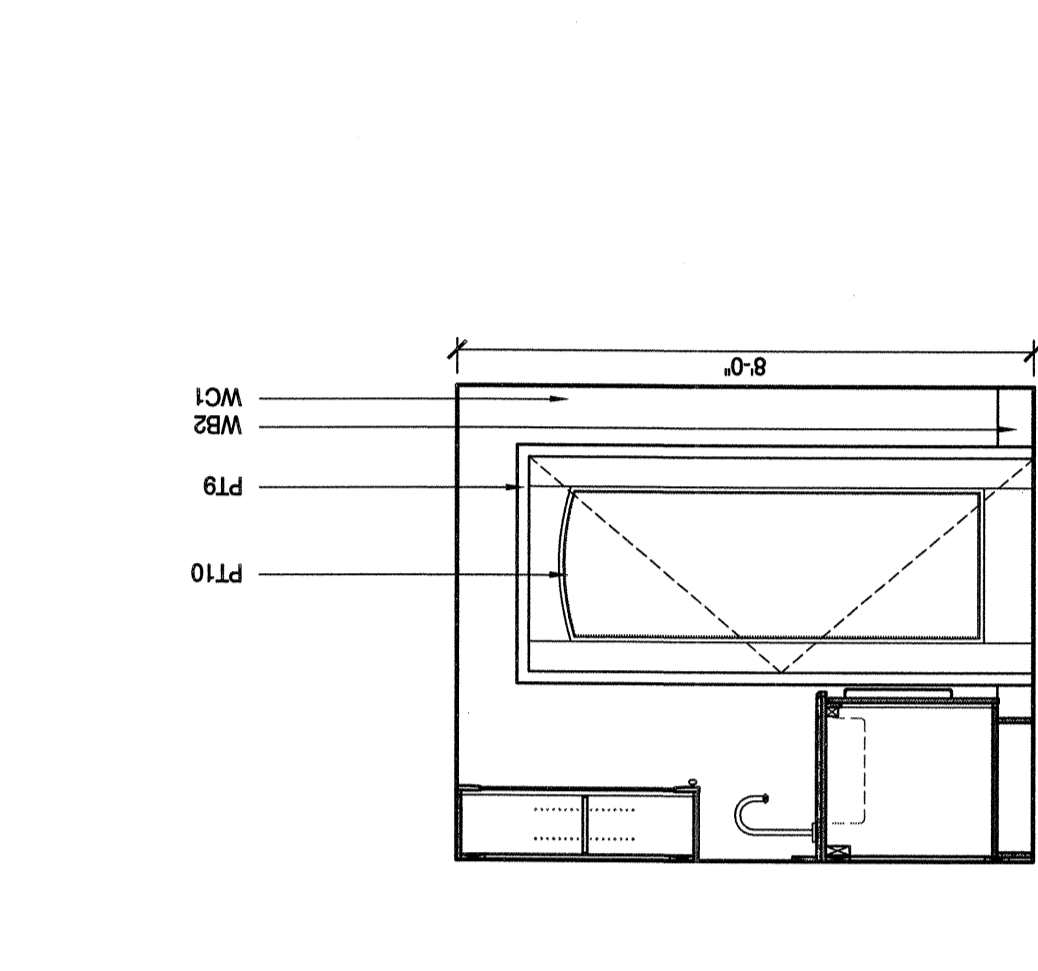
S QUEEN MINI SUITE WALL ELEVATION
 SCALE: 3/8" = 1'-0"



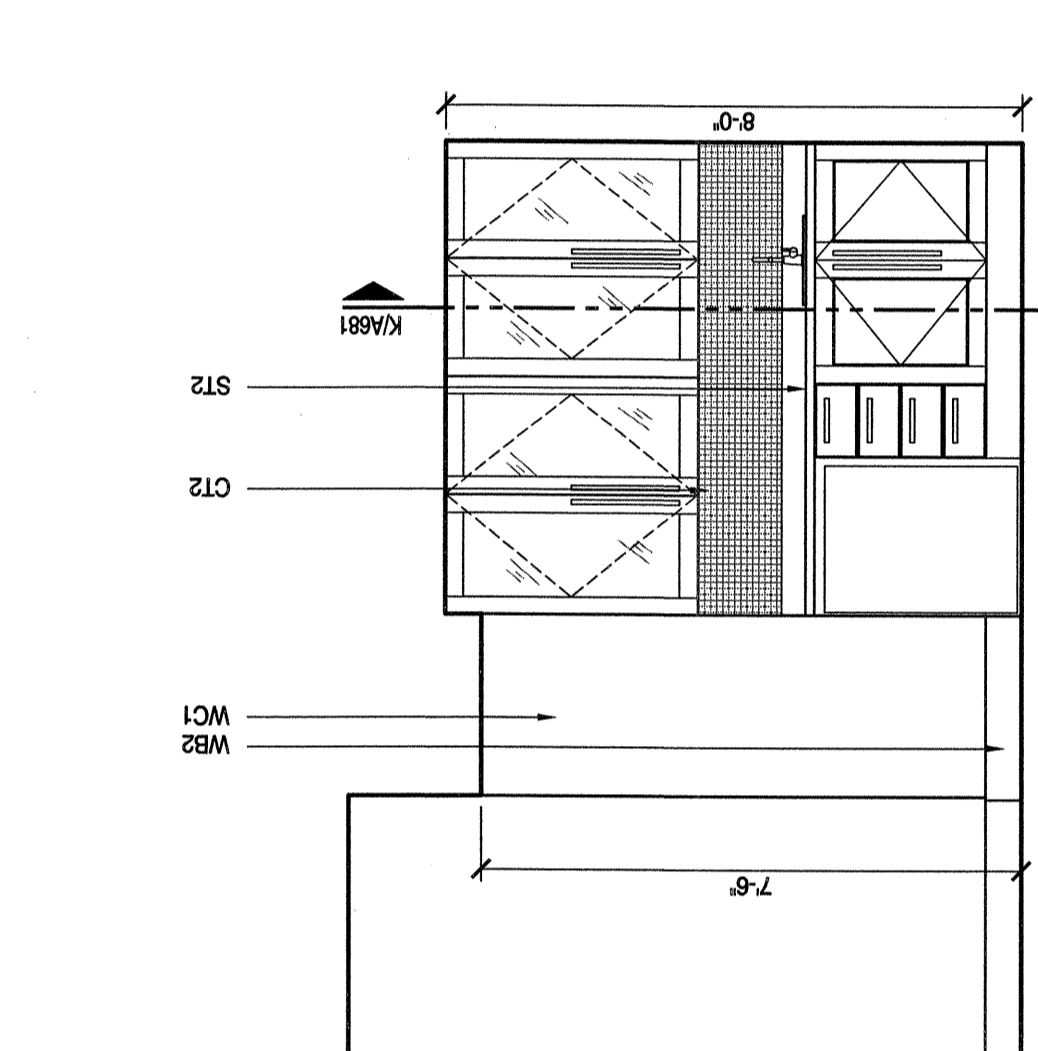
T QUEEN MINI SUITE WALL ELEVATION
 SCALE: 3/8" = 1'-0"



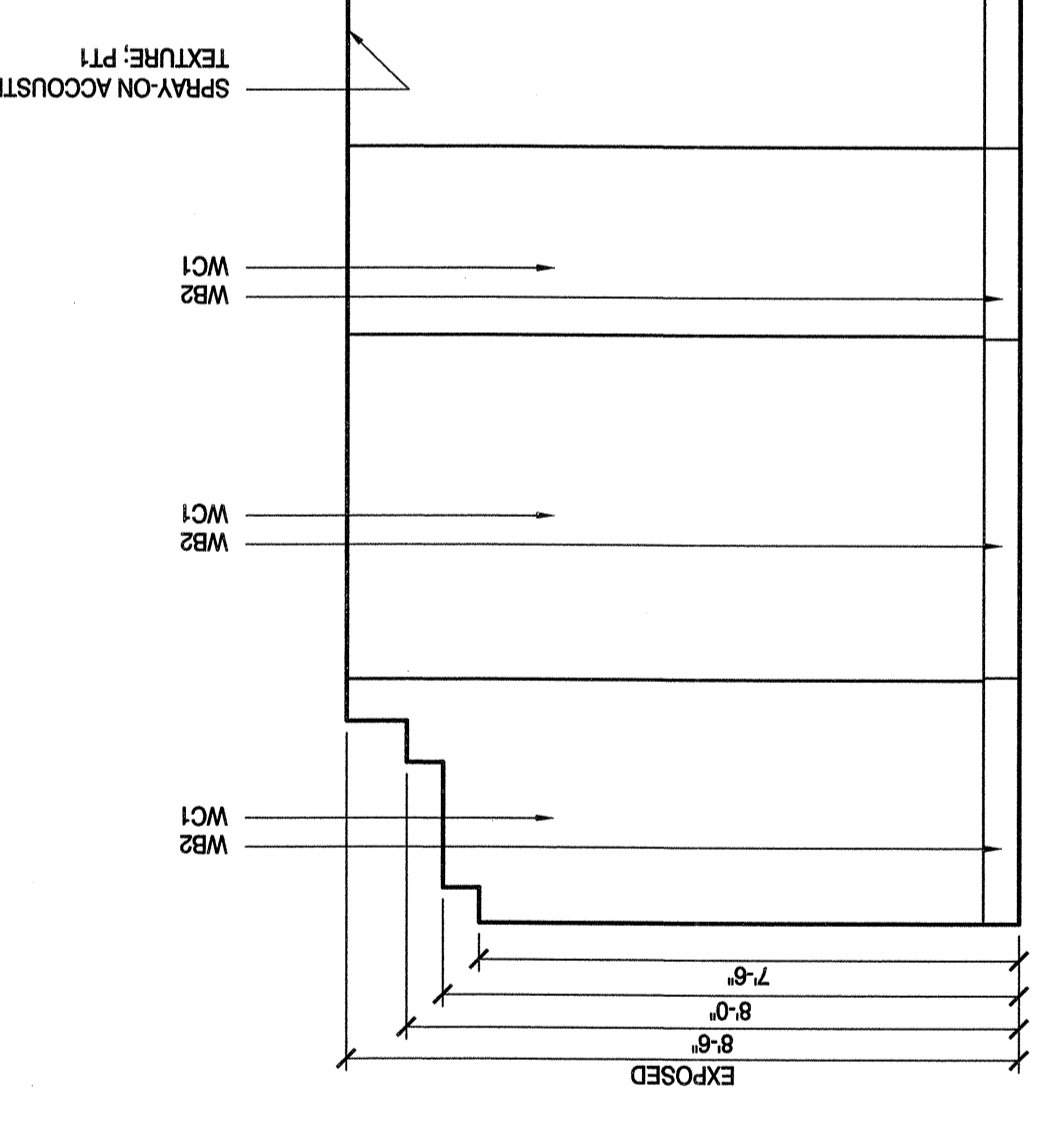
J KING MINI SUITE WALL ELEVATION
 SCALE: 3/8" = 1'-0"



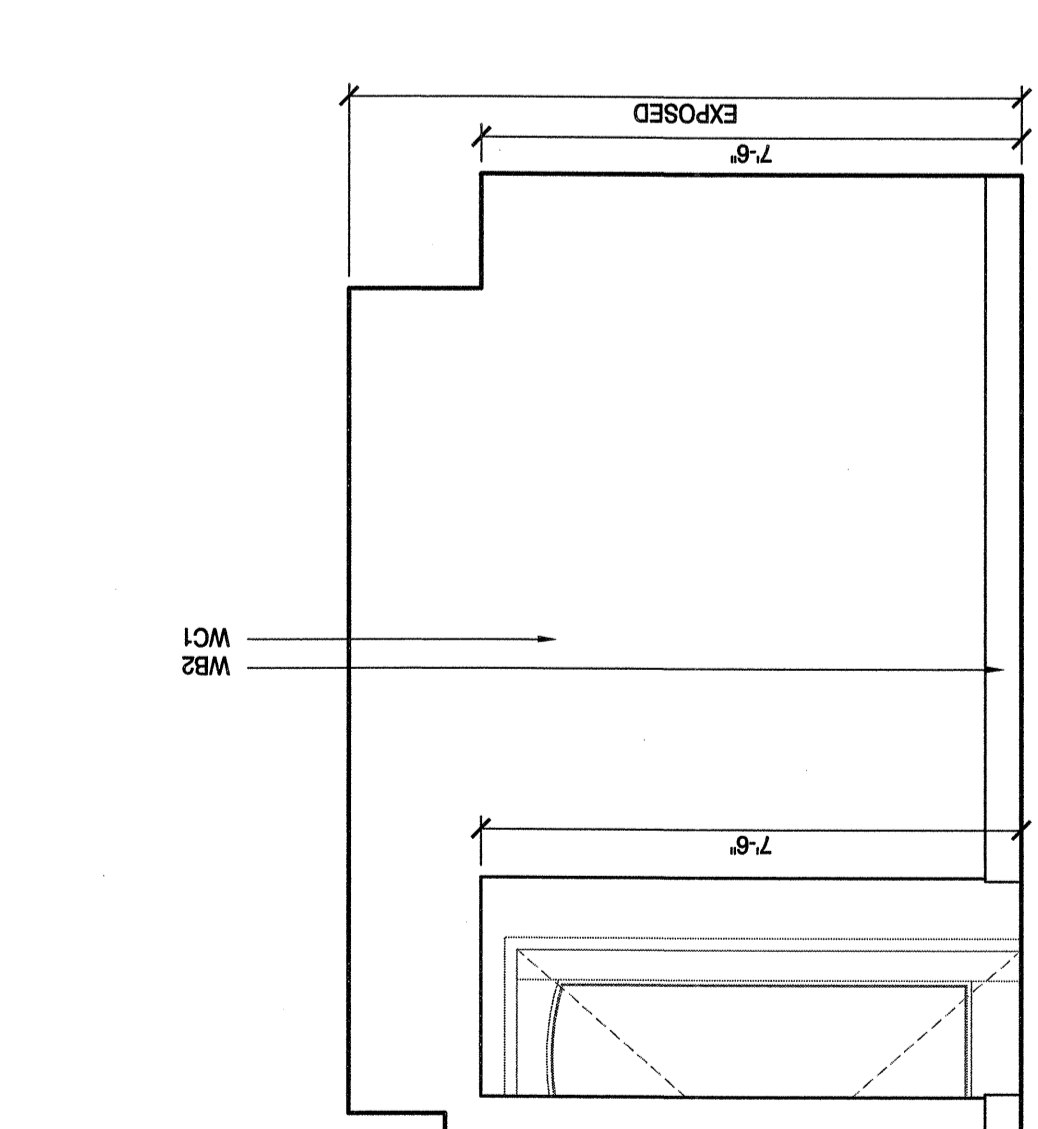
K QUEEN MINI SUITE WALL ELEVATION
 SCALE: 3/8" = 1'-0"



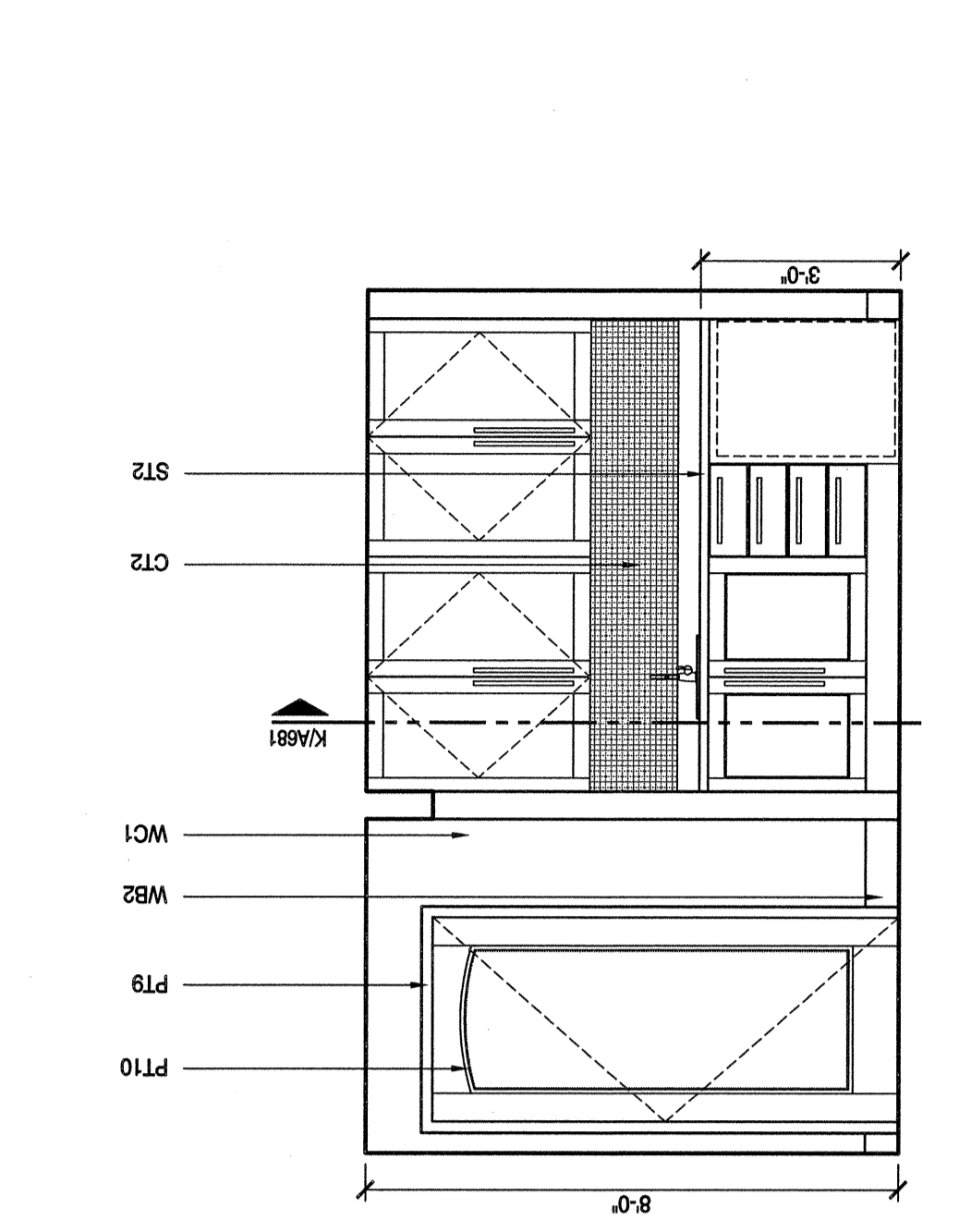
L QUEEN MINI SUITE WALL ELEVATION
 SCALE: 3/8" = 1'-0"



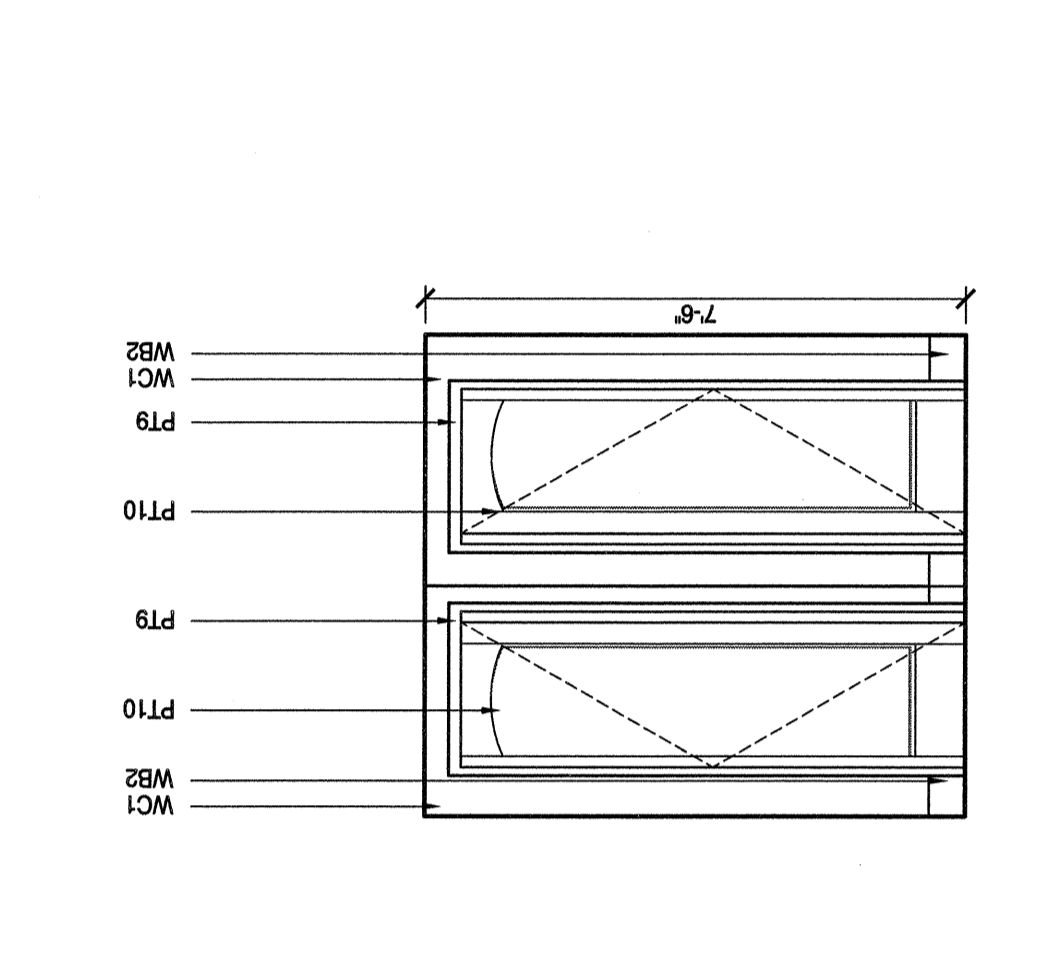
M QUEEN MINI SUITE WALL ELEVATION
 SCALE: 3/8" = 1'-0"



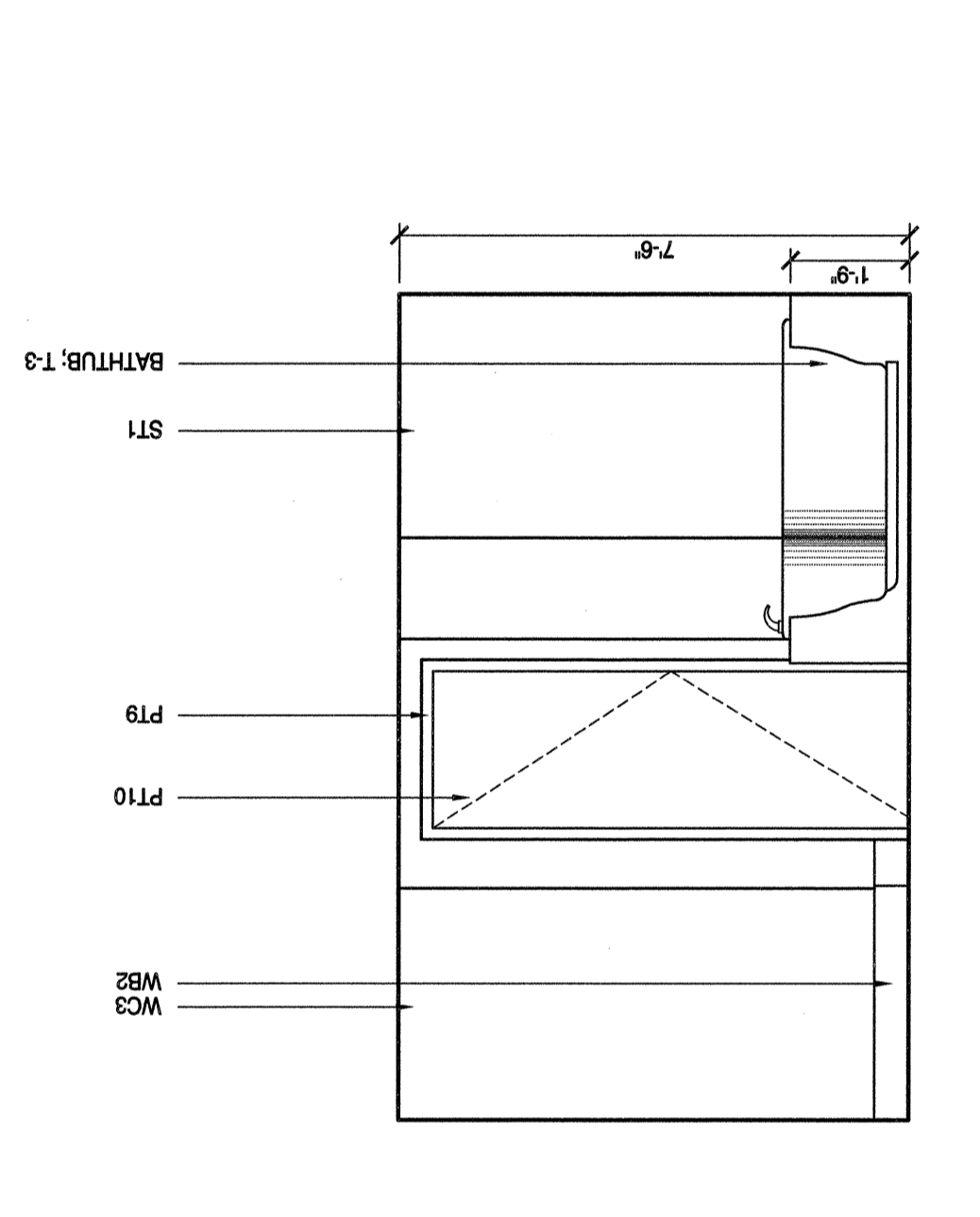
N QUEEN MINI SUITE WALL ELEVATION
 SCALE: 3/8" = 1'-0"



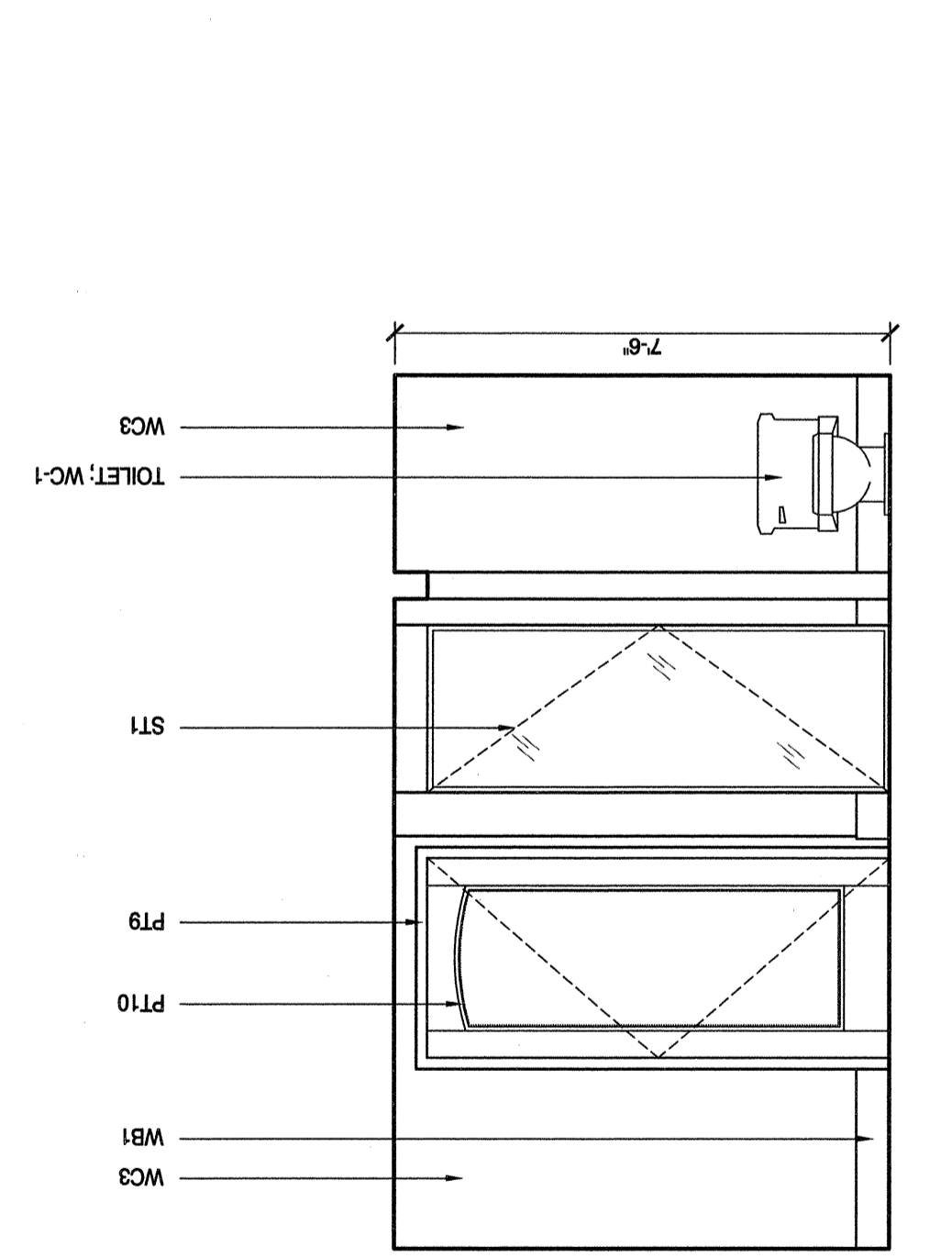
D KING MINI SUITE WALL ELEVATION
 SCALE: 3/8" = 1'-0"



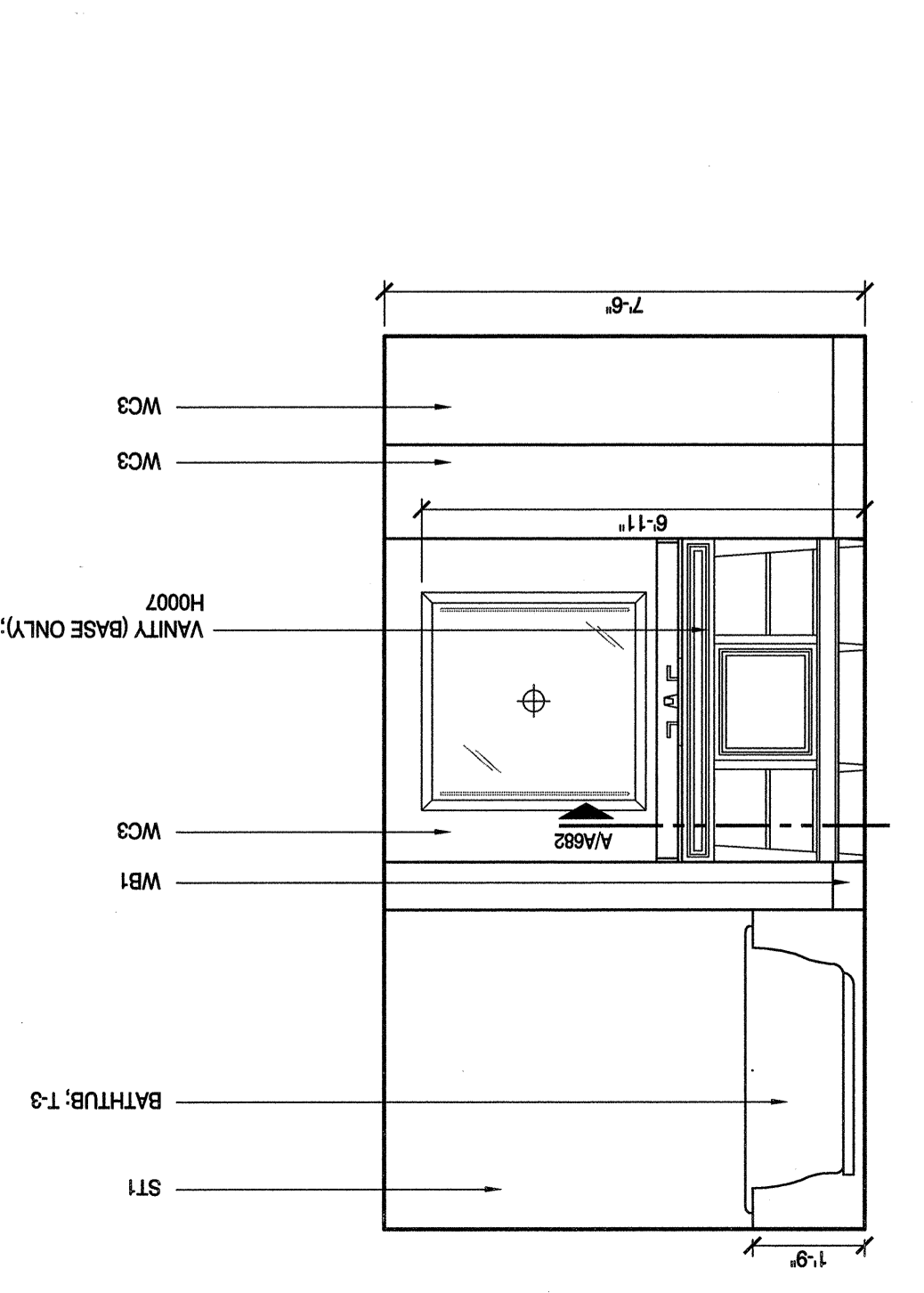
E KING MINI SUITE WALL ELEVATION
 SCALE: 3/8" = 1'-0"



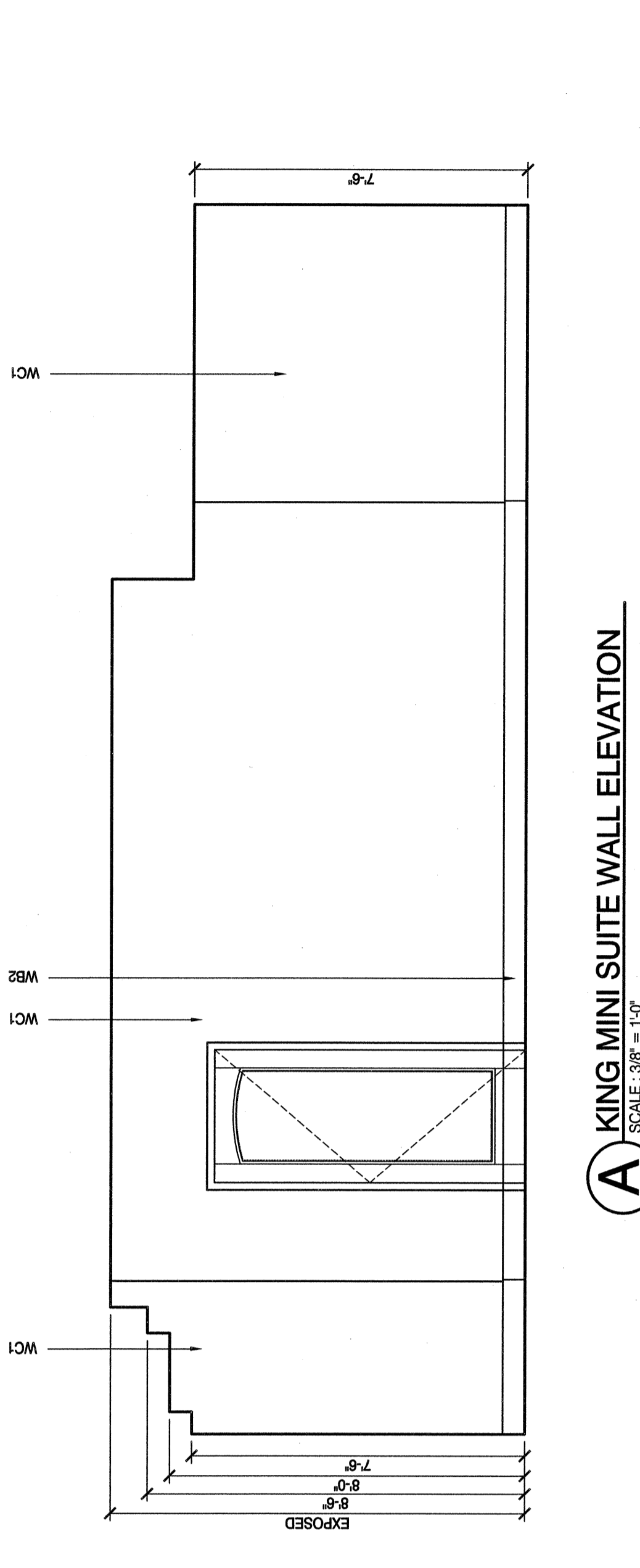
F KING MINI SUITE WALL ELEVATION
 SCALE: 3/8" = 1'-0"



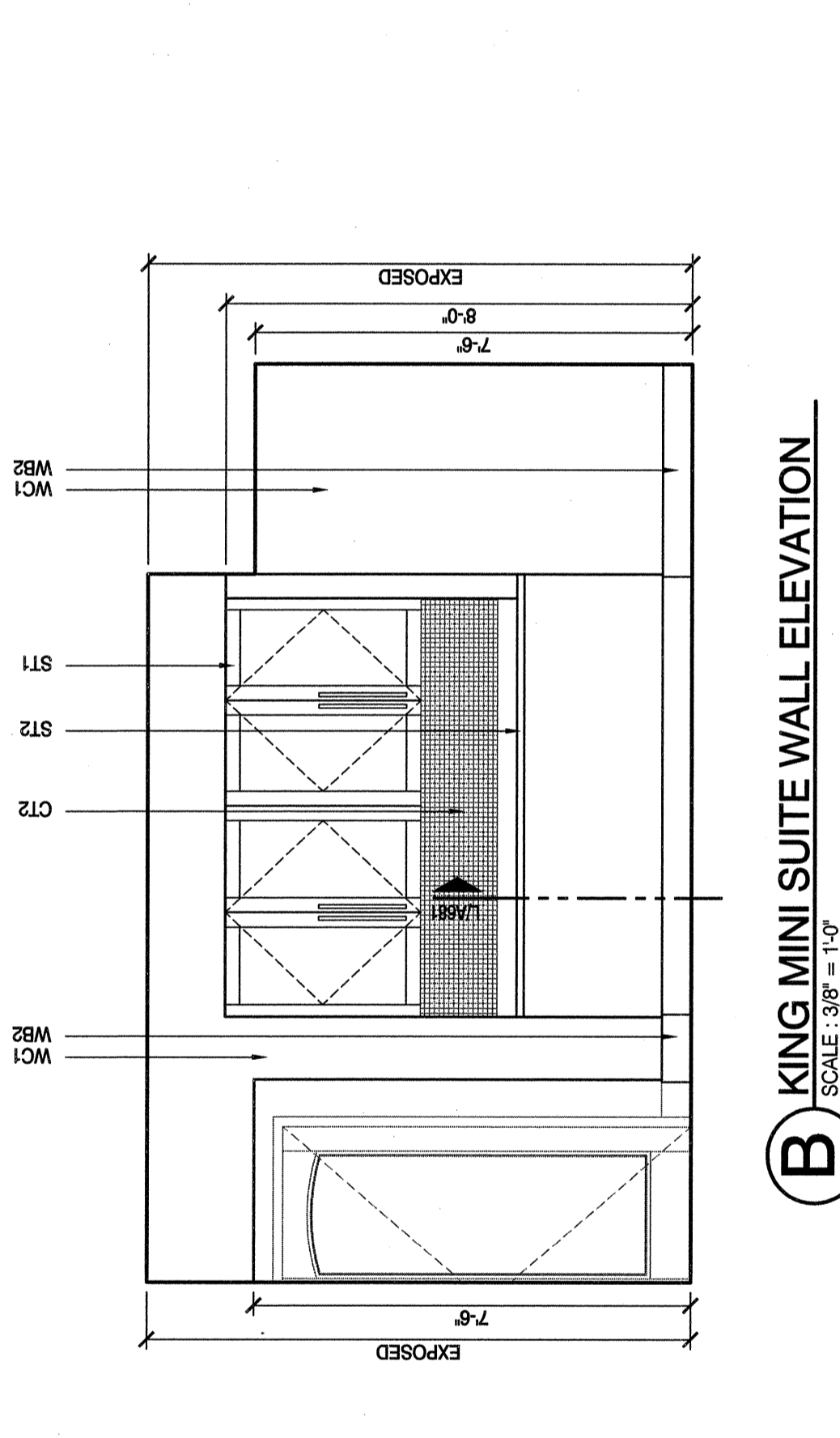
G KING MINI SUITE WALL ELEVATION
 SCALE: 3/8" = 1'-0"



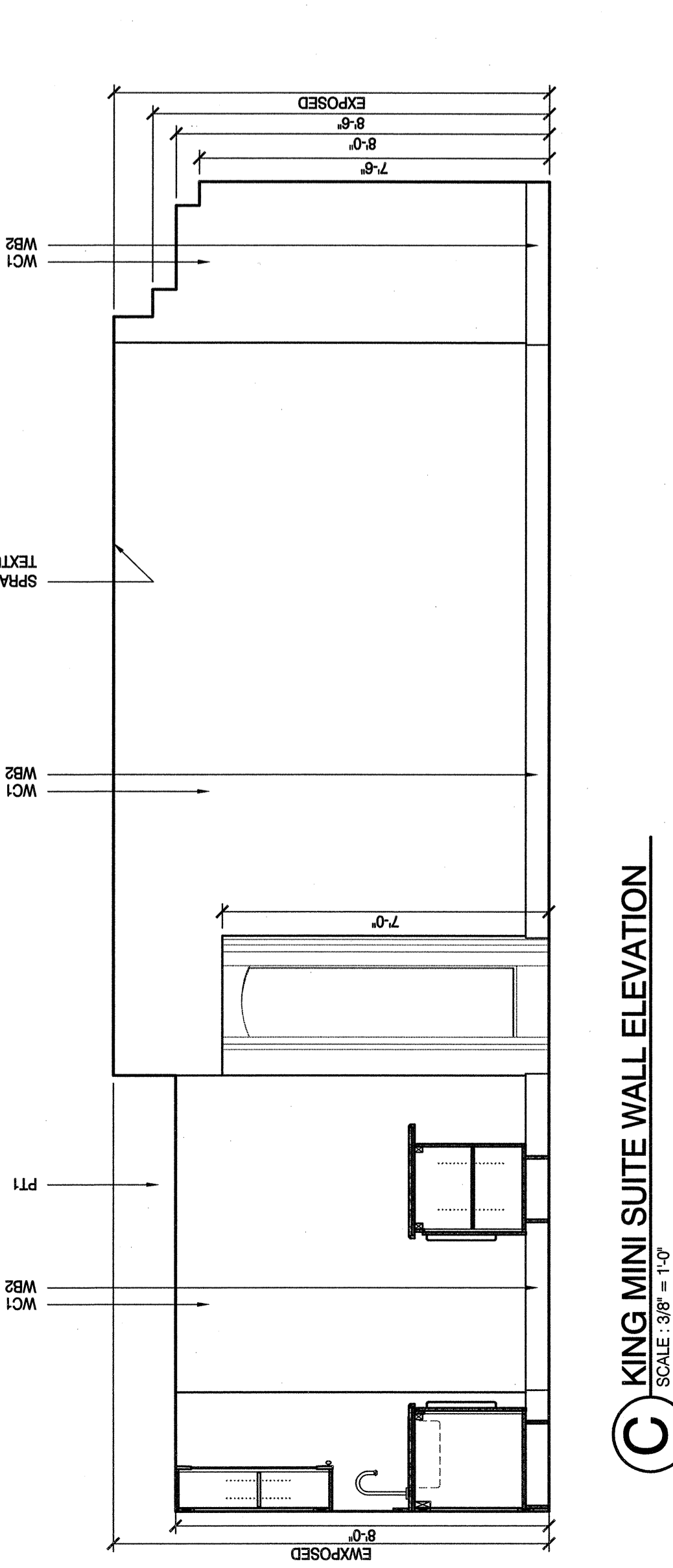
H KING MINI SUITE WALL ELEVATION
 SCALE: 3/8" = 1'-0"



A KING MINI SUITE WALL ELEVATION
 SCALE: 3/8" = 1'-0"



B KING MINI SUITE WALL ELEVATION
 SCALE: 3/8" = 1'-0"



C KING MINI SUITE WALL ELEVATION
 SCALE: 3/8" = 1'-0"