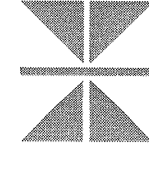




2007
CHEROKEE CASINO
EXPANSION
 Coocosa, Oklahoma

ARCHITECT:



Thalden & Bond Architects
A Member of the American Firm

16 East 10th Street, Suite 500
 Tulsa, Oklahoma 74104
 (918) 597-7445

St. Louis, MO Las Vegas, NV

THALDEN BOYD ARCHITECTS, LLC

COPYRIGHT 2007

THESE DRAWINGS AND SPECIFICATIONS ARE THE PROPERTY OF THALDEN BOYD ARCHITECTS, LLC. NO PART OF THESE DRAWINGS OR SPECIFICATIONS MAY BE REPRODUCED OR TRANSMITTED IN ANY FORM OR BY ANY MEANS, ELECTRONIC OR MECHANICAL, WITHOUT THE WRITTEN PERMISSION OF THALDEN BOYD ARCHITECTS, LLC.

CONSULTANTS:

CIVIL ENGINEERING:

4124 E. FLAKE
 TULSA, OKLAHOMA 74108
 PHONE: (918) 524-5078
 FAX: (918) 524-5078

MECHANICAL ELECTRICAL PLUMBING ENGINEERING:

PRINCEDALE ERINSON ASSOCIATES
 2821 W. HENDERSON, SUITE 200
 PRINCEDALE, OKLAHOMA 74906
 PHONE: (918) 238-8900
 FAX: (918) 238-8901
 www.erinson.com

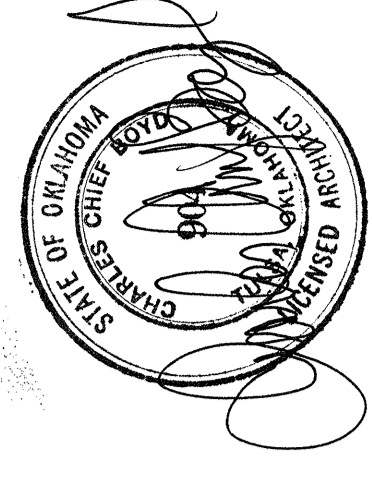
STRUCTURAL ENGINEERING:

ADVANCED ENGINEERS, INC.
 CONSULTING ENGINEERS, INC.
 8500 JEFFERSON, N.E.
 ALBUQUERQUE, NEW MEXICO 87110
 PHONE: (505) 344-4090
 FAX: (505) 343-9739

FOODSERVICE CONSULTANT:

BLANSELL & ASSOCIATES
 1000 S. MAIN AVENUE
 TULSA, OKLAHOMA 74106
 PHONE: (918) 749-1000
 FAX: (918) 749-2804

SEAL:



REVISIONS:

1. 04/10/2008 HOTEL FINISH/HOCKEY

2. 05/06/2008 CONSTRUCTION DOCUMENTS

3.

4.

5.

6.

7.

8.

9.

10.

NO. BY DATE

TITLE:

JUNIOR SUITE INTERIOR

WALL ELEVATIONS

PROJECT NO.: 06412

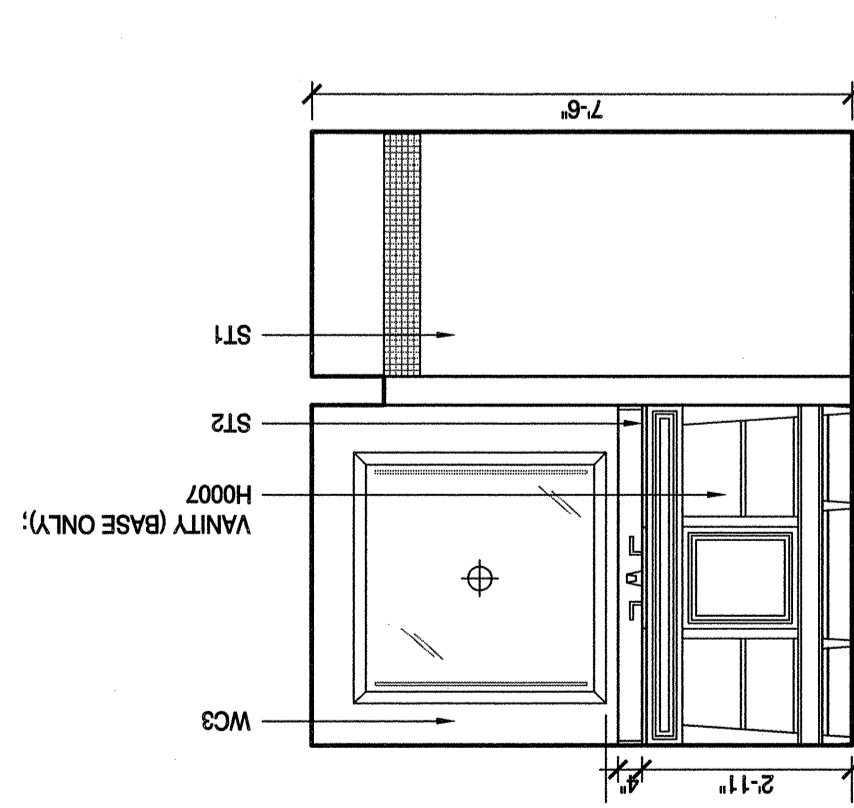
DATE: 02/16/2008

SCALE: AS SHOWN

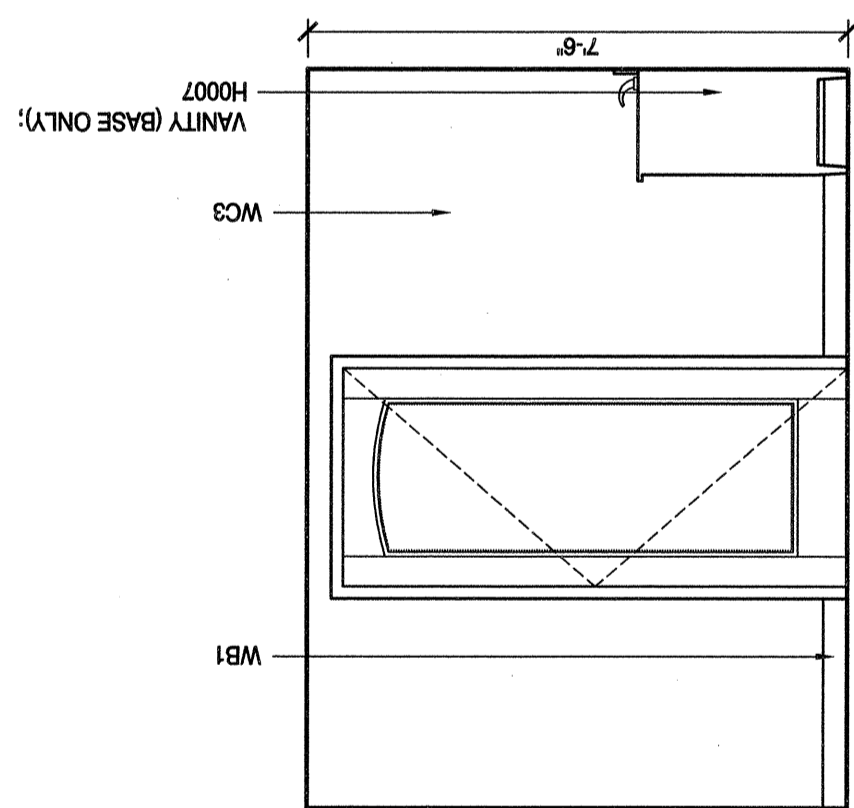
CONSTRUCTION DOCUMENTS

DRAWING NO.

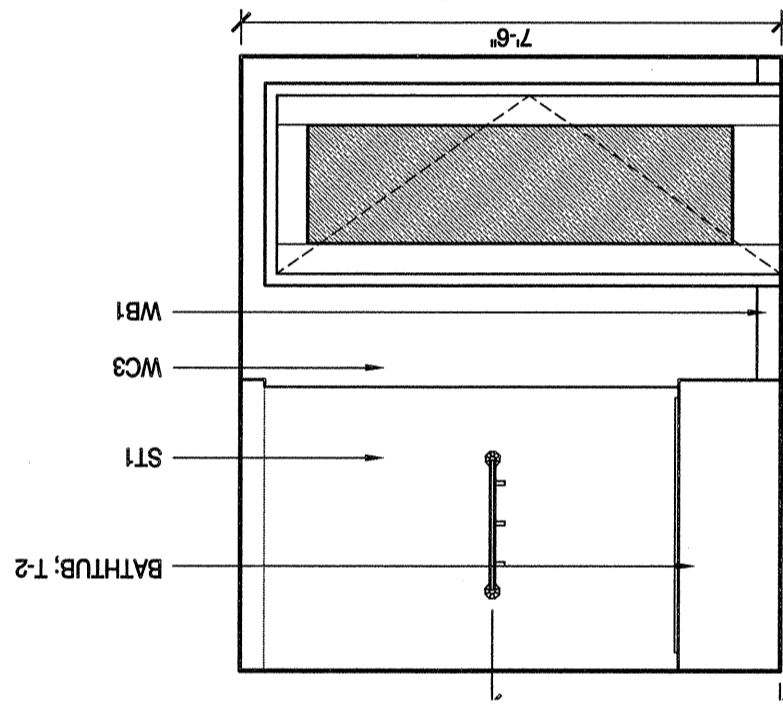
A633



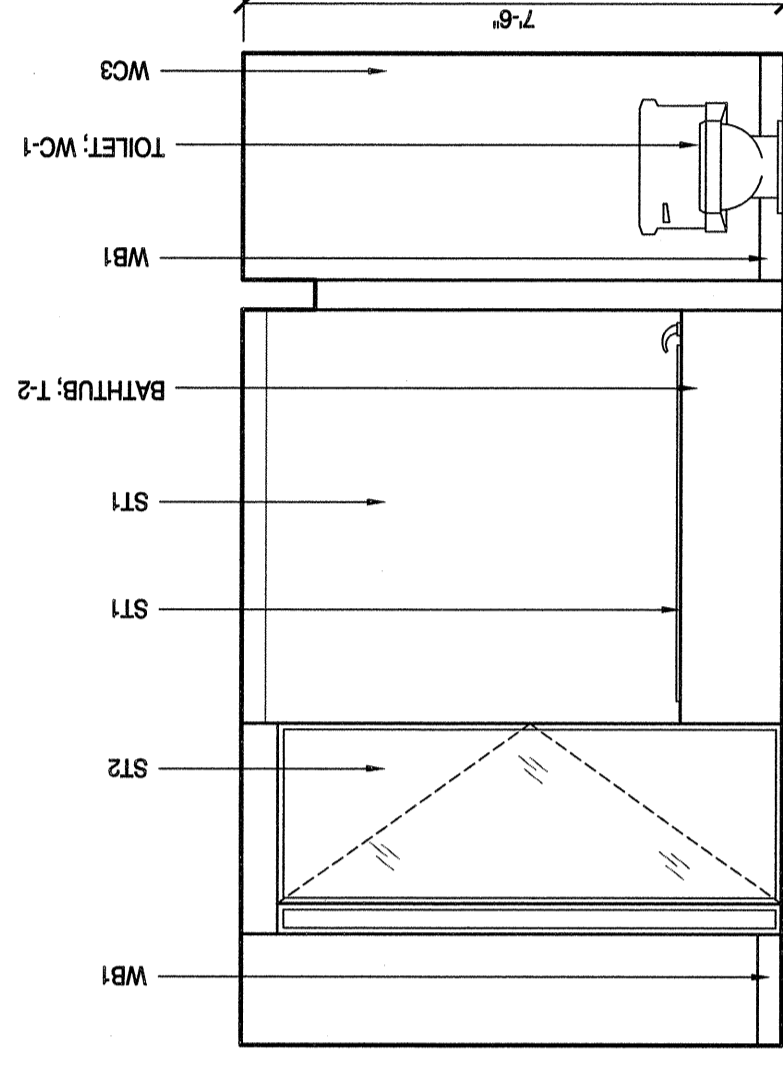
J JUNIOR SUITE WALL ELEVATION
 SCALE: 3/8" = 1'-0"



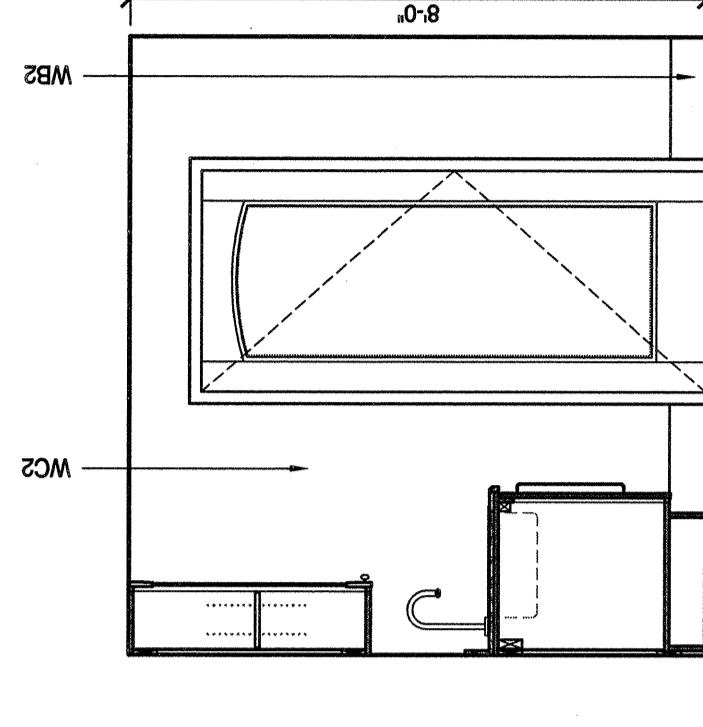
H JUNIOR SUITE WALL ELEVATION
 SCALE: 3/8" = 1'-0"



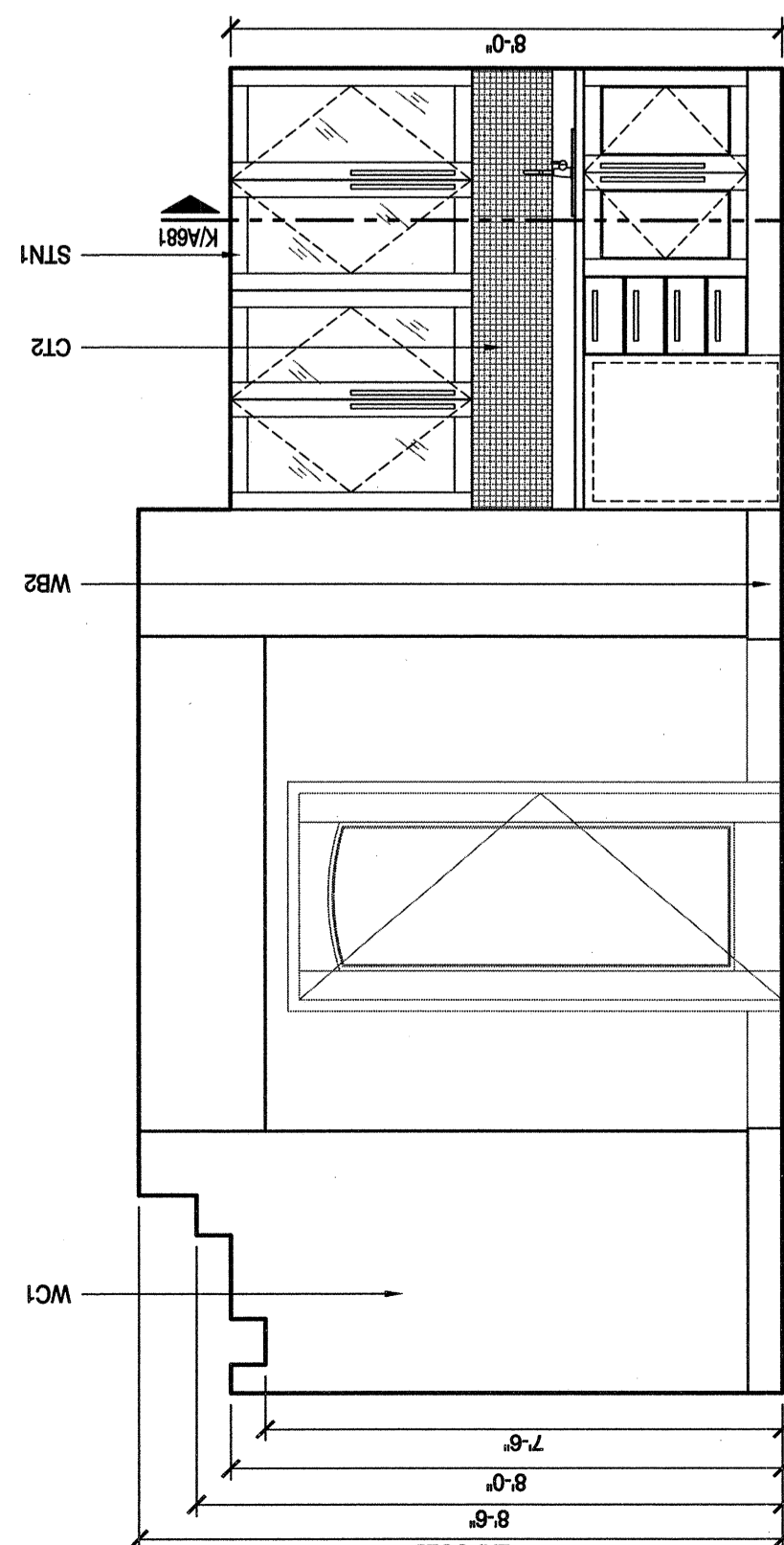
G JUNIOR SUITE WALL ELEVATION
 SCALE: 3/8" = 1'-0"



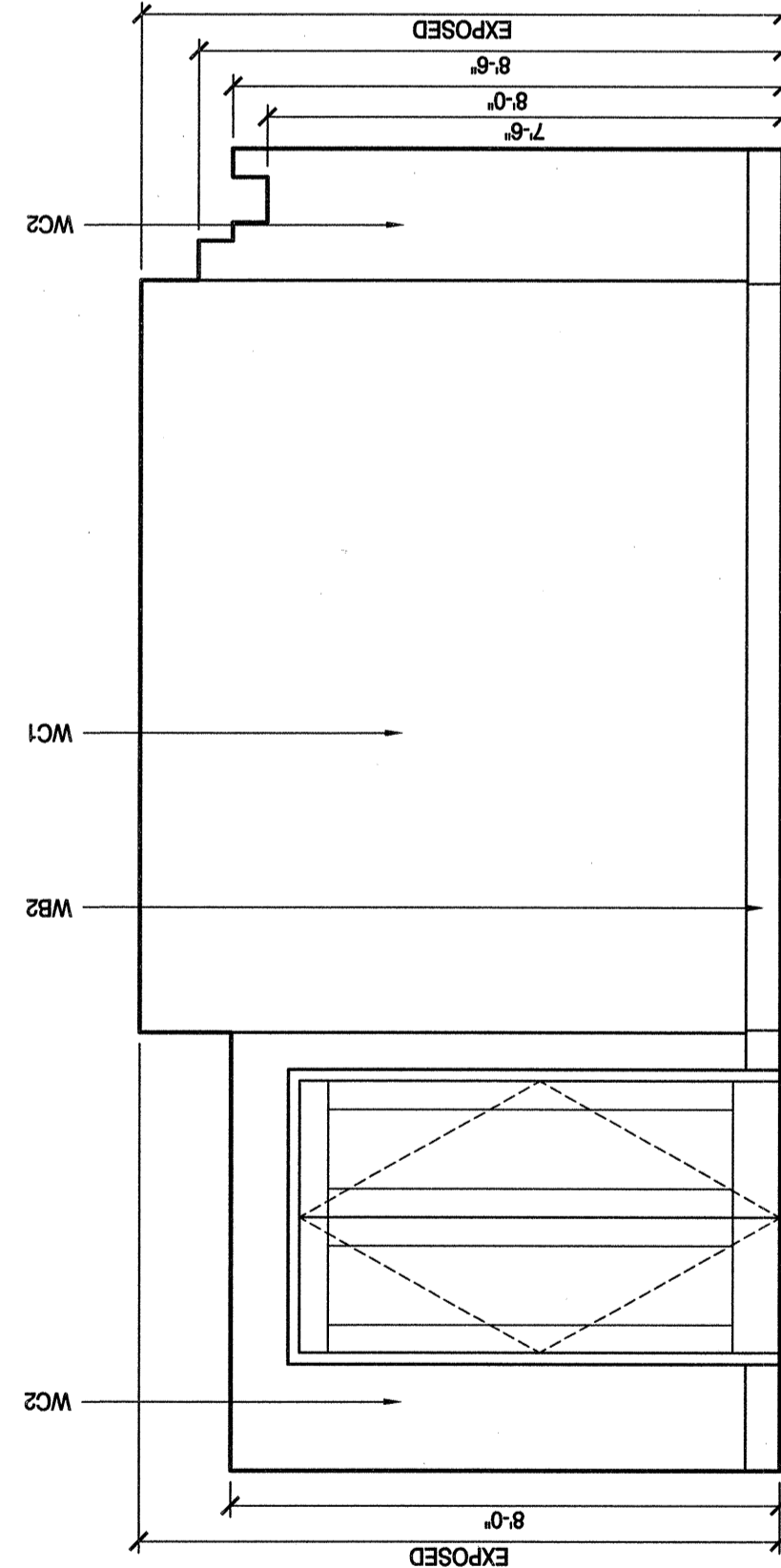
F JUNIOR SUITE WALL ELEVATION
 SCALE: 3/8" = 1'-0"



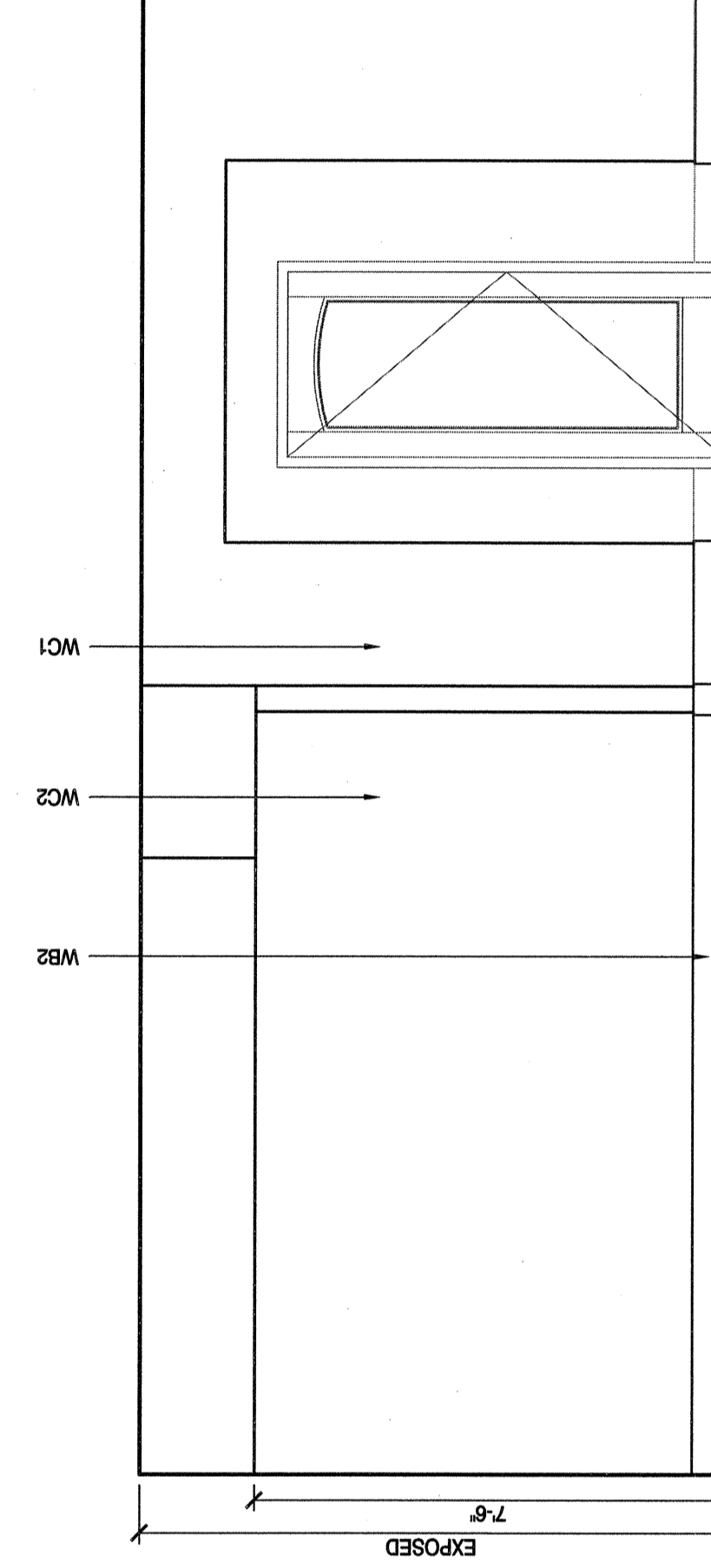
E JUNIOR SUITE WALL ELEVATION
 SCALE: 3/8" = 1'-0"



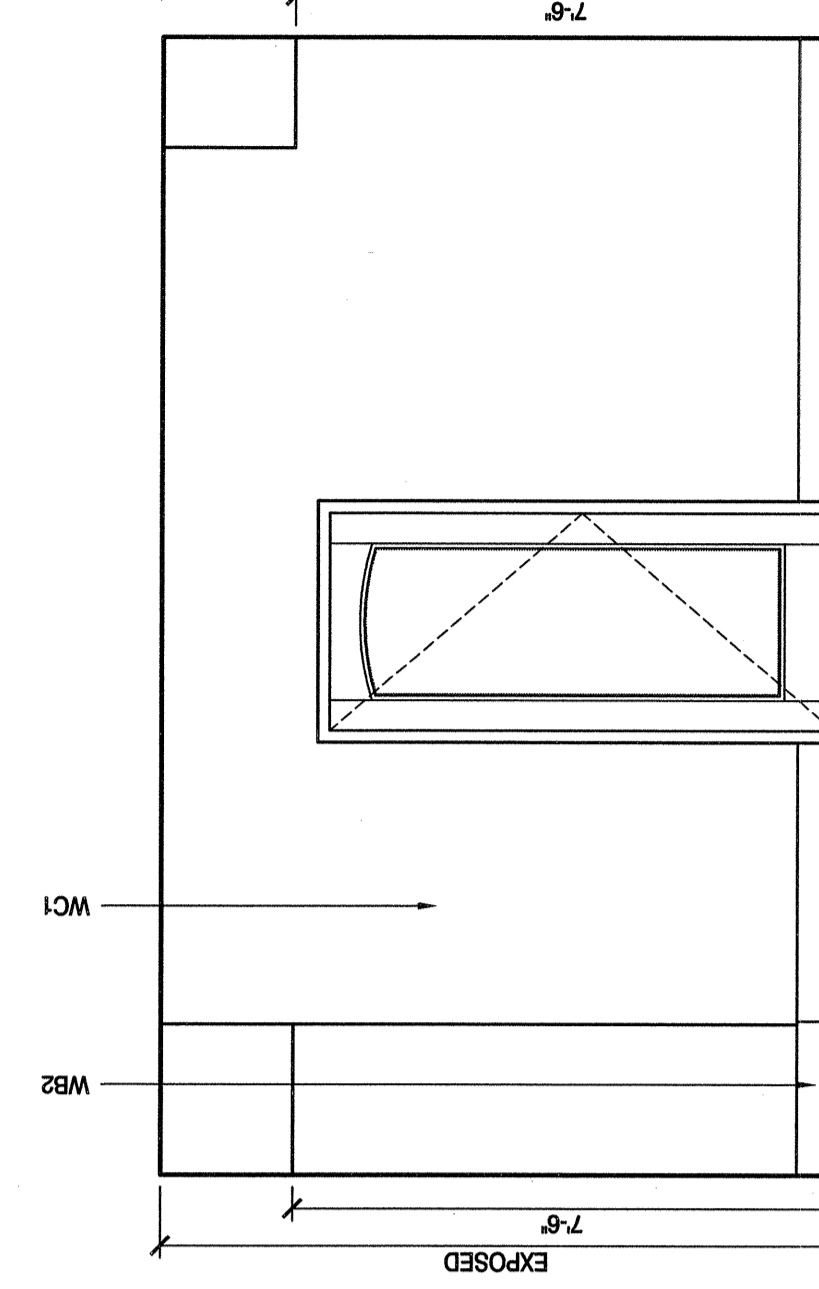
D JUNIOR SUITE WALL ELEVATION
 SCALE: 3/8" = 1'-0"



C JUNIOR SUITE WALL ELEVATION
 SCALE: 3/8" = 1'-0"



B JUNIOR SUITE WALL ELEVATION
 SCALE: 3/8" = 1'-0"



A JUNIOR SUITE WALL ELEVATION
 SCALE: 3/8" = 1'-0"