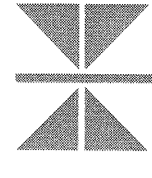




2007
**CHEROKEE CASINO
 EXPANSION**
 Cherokee, Oklahoma

ARCHITECT:



Thalden & Boyd Architects

A Modern Architectural Firm
 16 East 15th Street, Suite 200
 St. Louis, MO 63103
 (314) 997-7446
 (314) 997-7446

THALDEN & BOYD ARCHITECTS, LLC

COPYRIGHT 2007

THESE DRAWINGS AND DOCUMENTS ARE THE PROPERTY OF THALDEN & BOYD ARCHITECTS, LLC. NO PART OF THESE DRAWINGS OR DOCUMENTS MAY BE REPRODUCED OR TRANSMITTED IN ANY FORM OR BY ANY MEANS, ELECTRONIC OR MECHANICAL, WITHOUT THE WRITTEN PERMISSION OF THALDEN & BOYD ARCHITECTS, LLC.

CONSULTANTS:

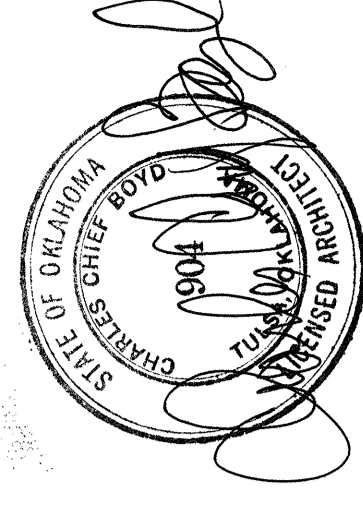
CIVIL ENGINEERING:
 TUSA CONSULTANTS
 4124 E 82 PLACE
 TUSA, OKLAHOMA 74136
 PHONE: (918) 834-4273
 FAX: (918) 834-4278

MECHANICAL ELECTRICAL & PLUMBING ENGINEERING:
 FINEMEAN EMBROSDOR ASSOCIATES
 2827 W. 11th Street, Suite 200
 HENDERSON, NV 89002
 PHONE: (702) 298-8800
 FAX: (702) 298-8801
 www.finemean.com

STRUCTURAL ENGINEERING:
 CONSULTING ENGINEERS, INC.
 850 JEFFERSON, NE
 ALBUQUERQUE, NM 87109
 PHONE: (505) 344-4300
 FAX: (505) 344-5759

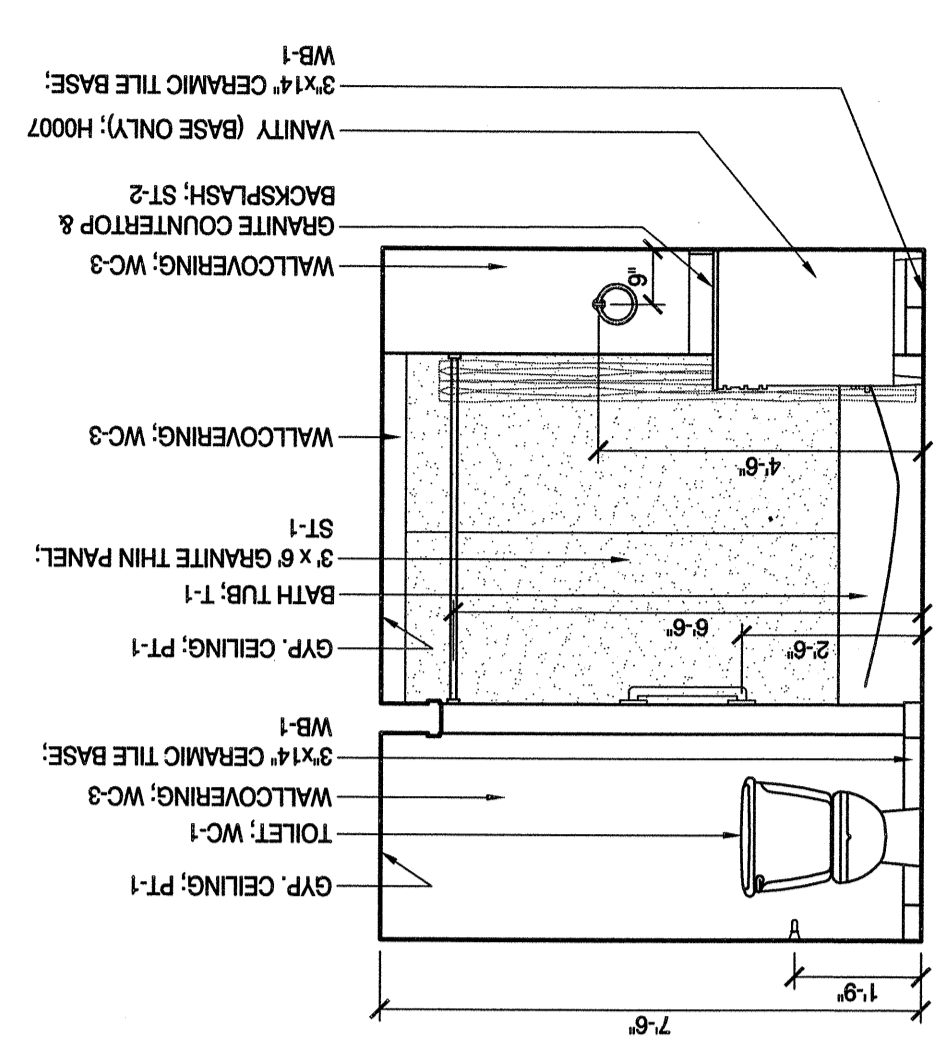
FOODSERVICE CONSULTANT:
 BLASDEL & ASSOCIATES
 1000 SOUTH LEWIS AVE
 OKLAHOMA CITY, OKLAHOMA
 PHONE: (405) 749-1833
 FAX: (405) 749-5804

SEALED:

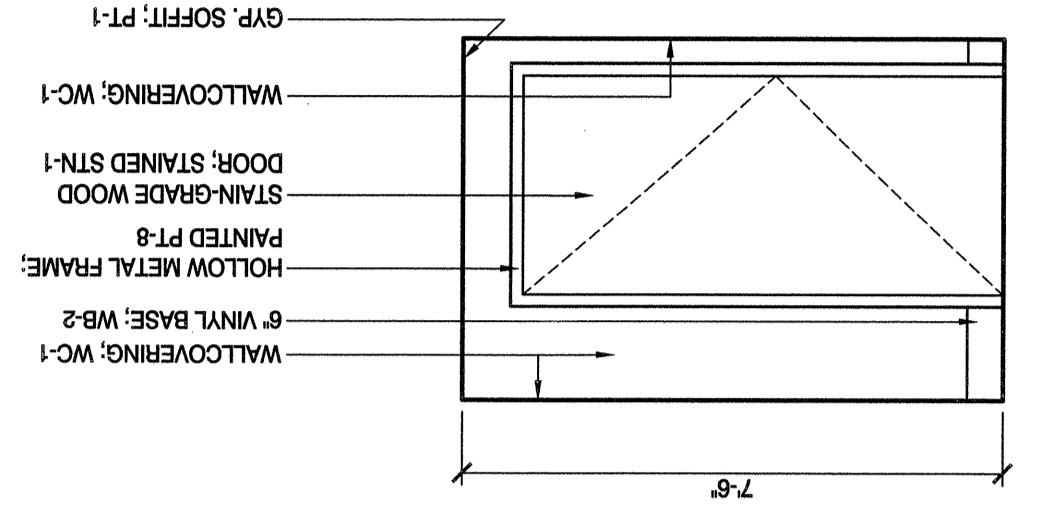


REVISIONS:	04/10/2008 HOTEL FINISH/HOCKEY	
04/28/2008 CONSTRUCTION DOCUMENTS		
NO.	BY	DATE
PROJECT NO. 06412		
DATE: 02/15/2008		
SCALE: AS SHOWN		
CONSTRUCTION DOCUMENTS		
DRAWING NO.		

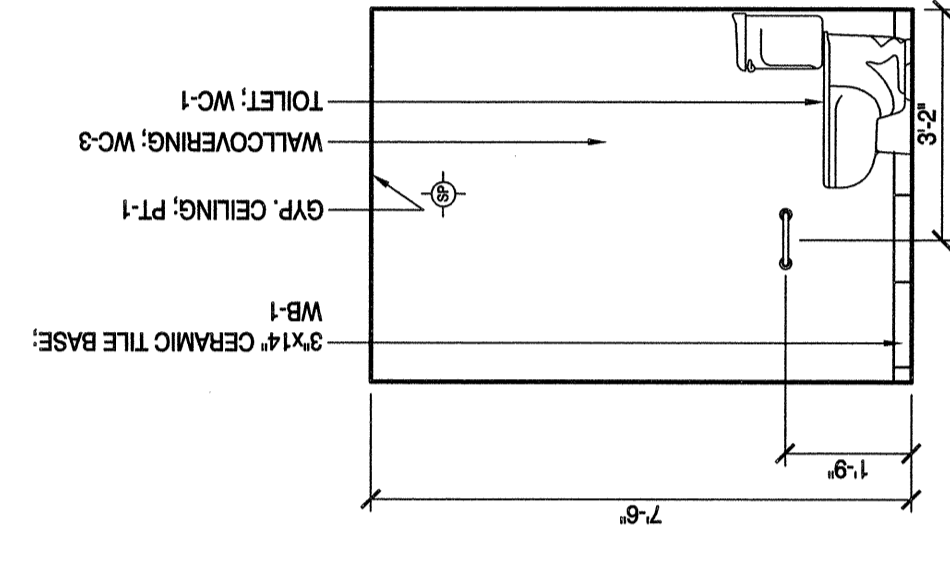
A634



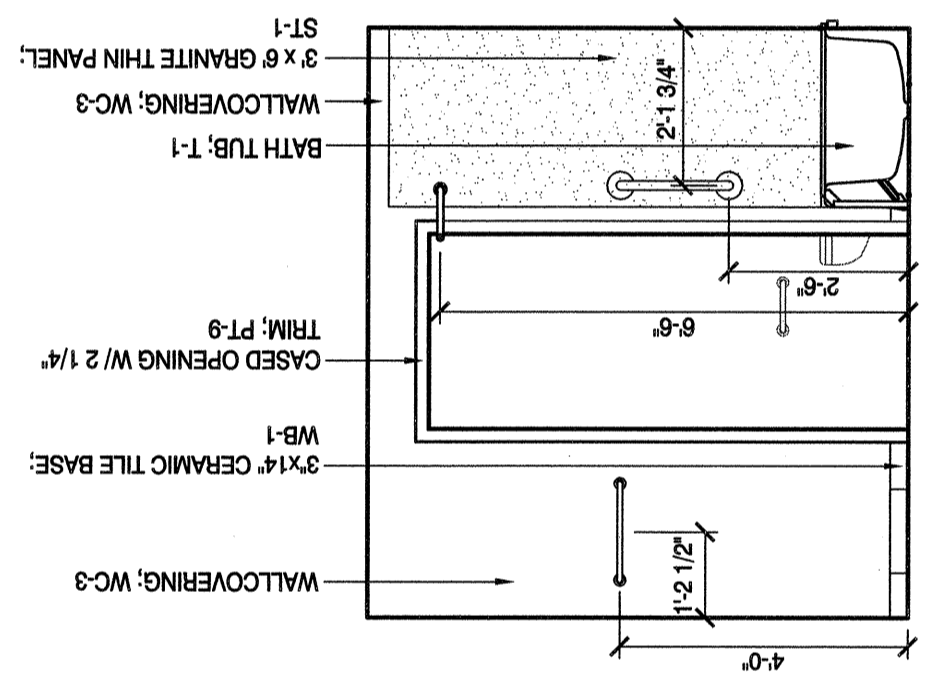
K DELUXE DOUBLE QUEEN WALL ELEVATION
 SCALE: 3/8" = 1'-0"



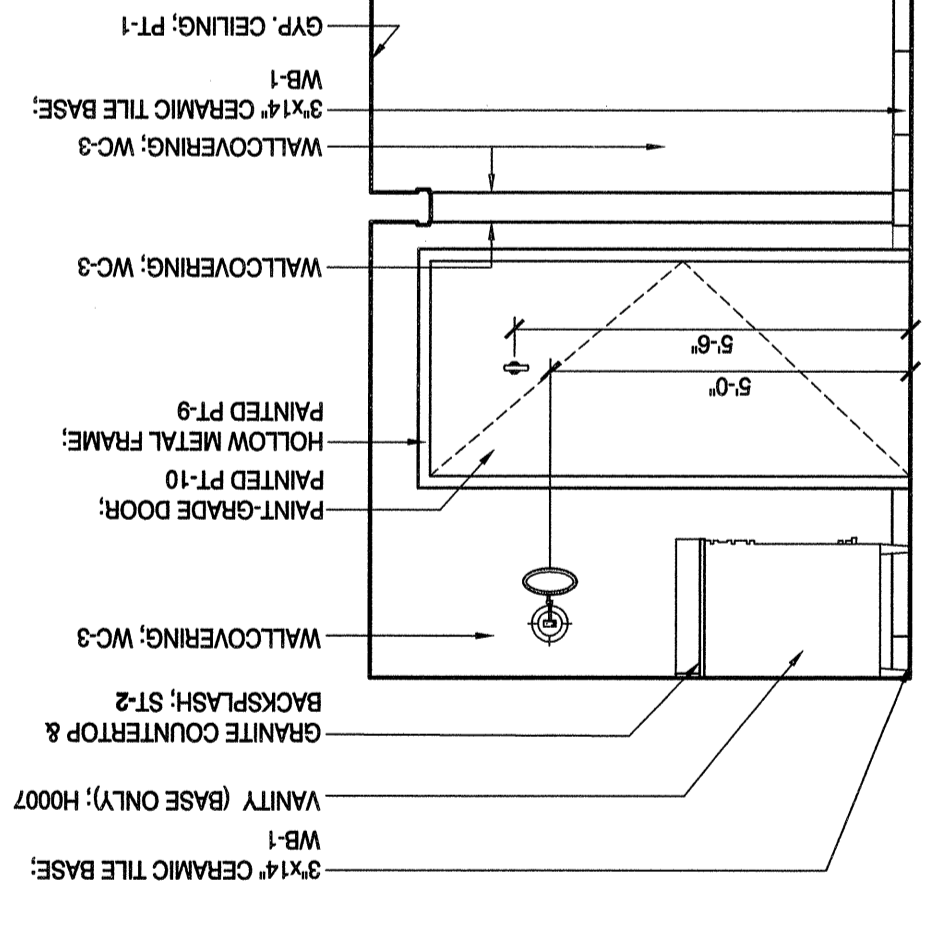
E DELUXE DOUBLE QUEEN WALL ELEVATION
 SCALE: 3/8" = 1'-0"



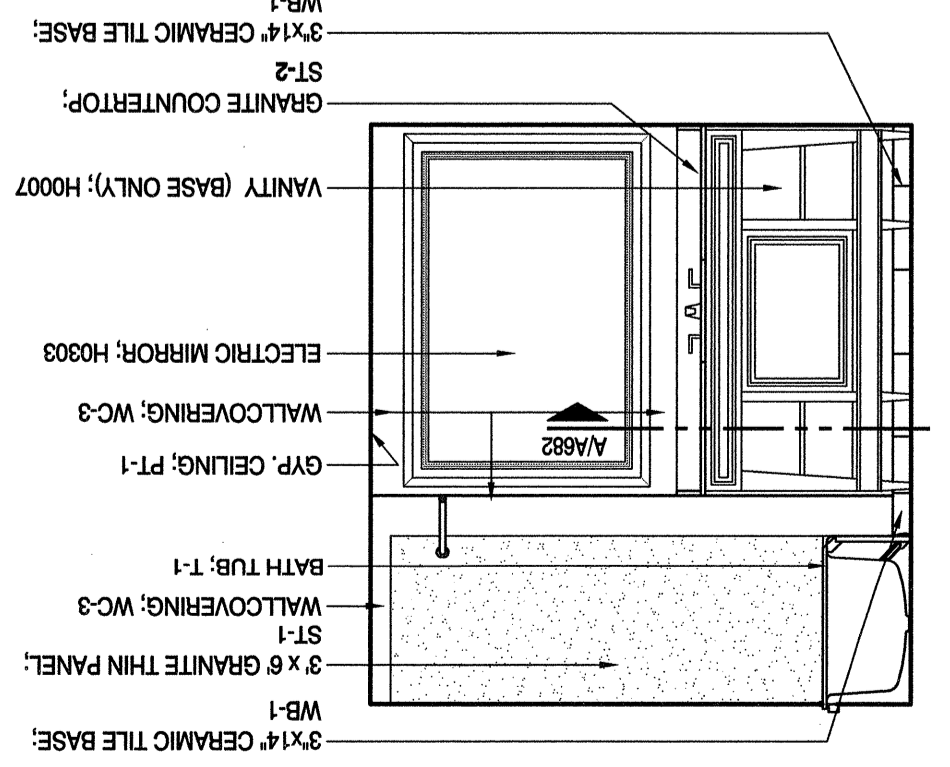
F DELUXE DOUBLE QUEEN WALL ELEVATION
 SCALE: 3/8" = 1'-0"



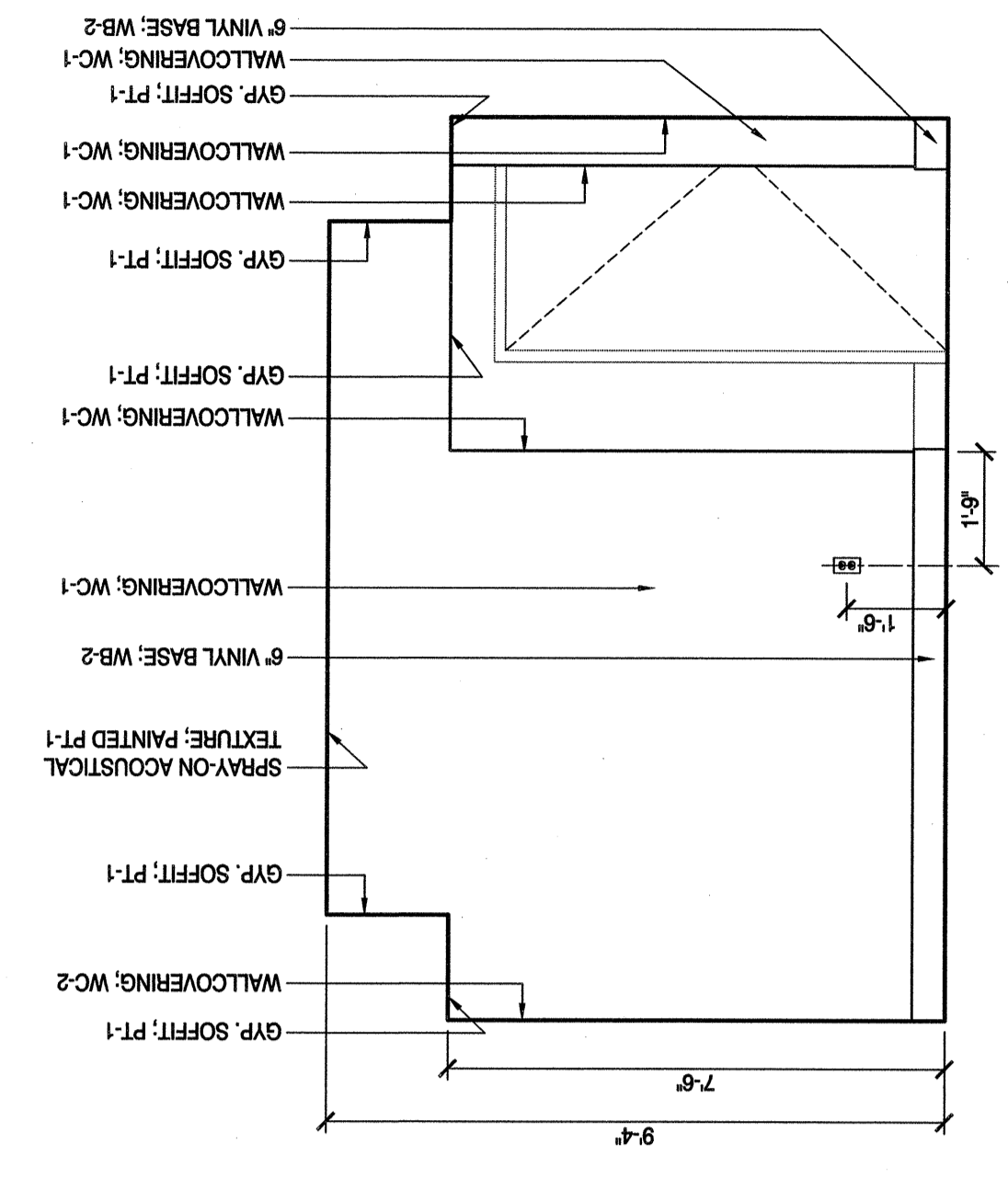
G DELUXE DOUBLE QUEEN WALL ELEVATION
 SCALE: 3/8" = 1'-0"



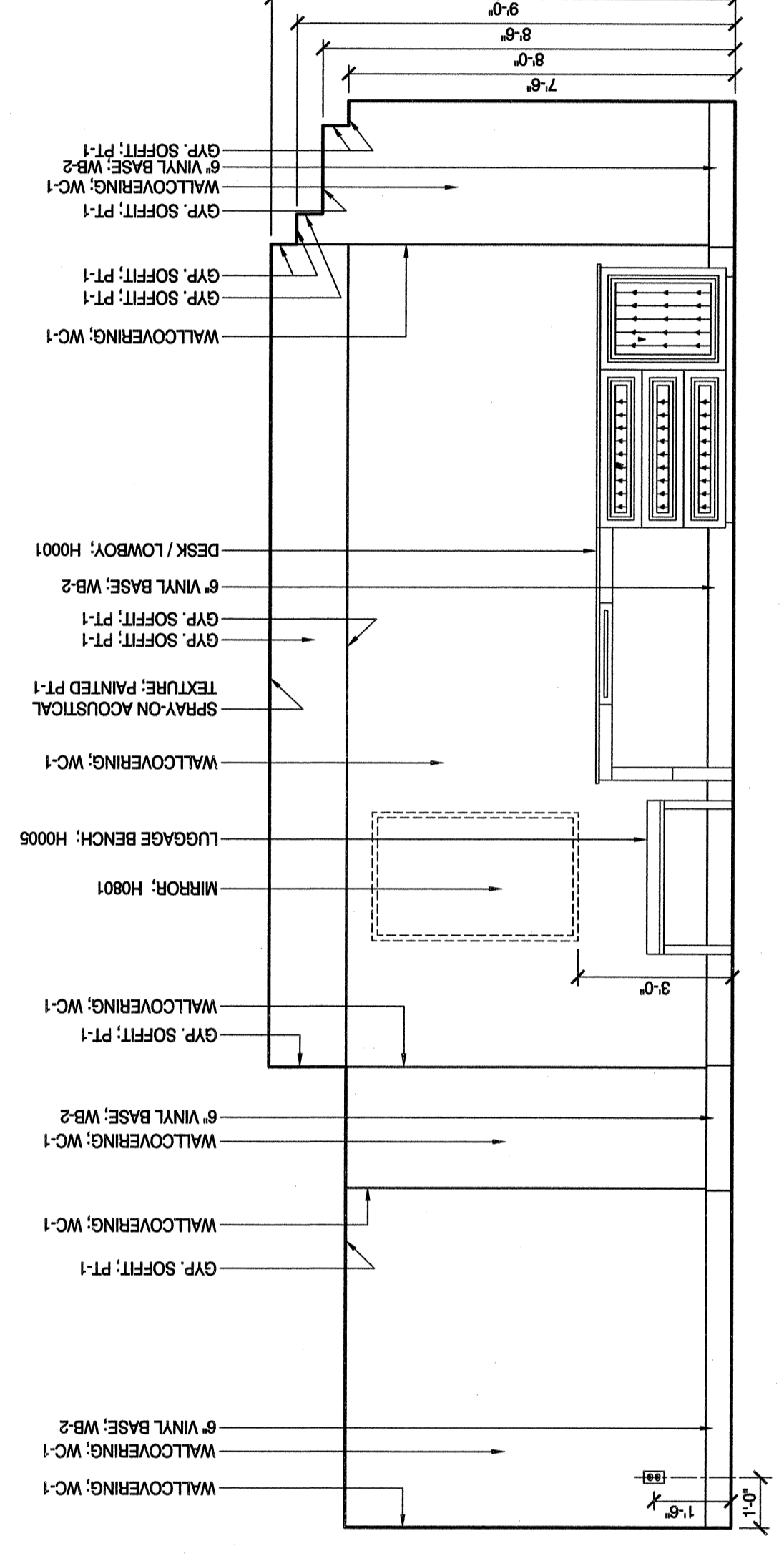
H DELUXE DOUBLE QUEEN WALL ELEVATION
 SCALE: 3/8" = 1'-0"



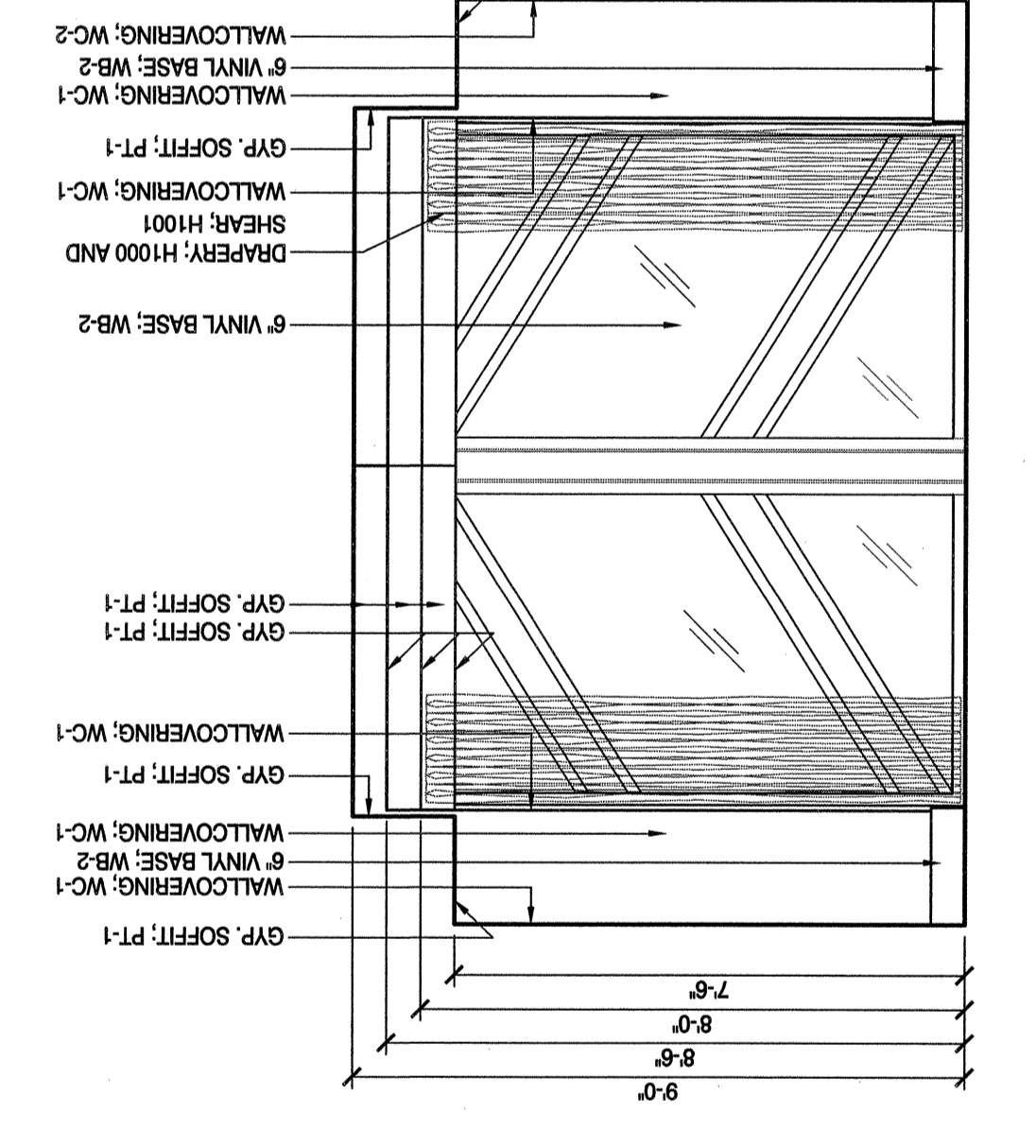
J DELUXE DOUBLE QUEEN WALL ELEVATION
 SCALE: 3/8" = 1'-0"



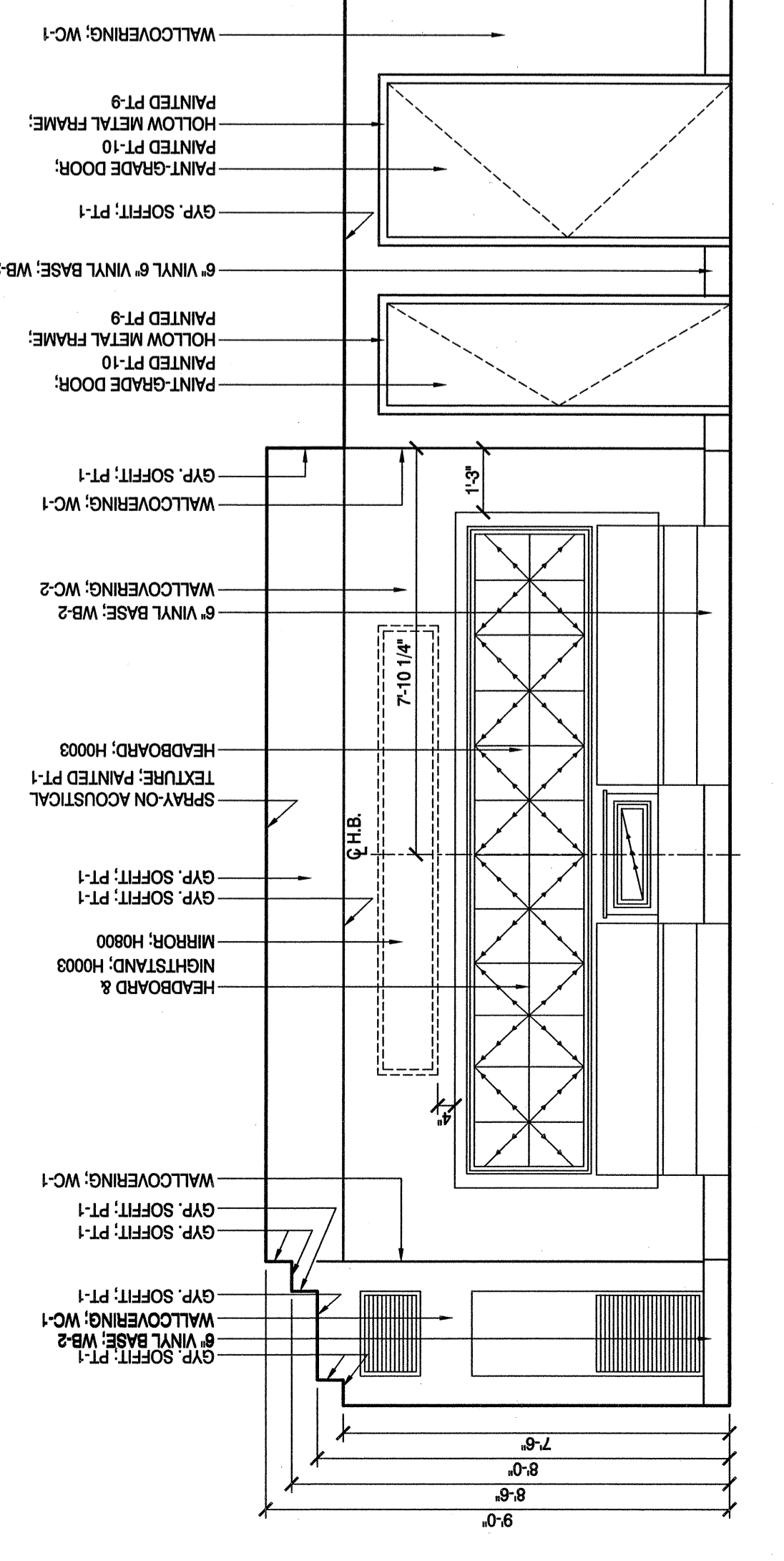
A DELUXE DOUBLE QUEEN WALL ELEVATION
 SCALE: 3/8" = 1'-0"



B DELUXE DOUBLE QUEEN WALL ELEVATION
 SCALE: 3/8" = 1'-0"



C DELUXE DOUBLE QUEEN WALL ELEVATION
 SCALE: 3/8" = 1'-0"



D DELUXE DOUBLE QUEEN WALL ELEVATION
 SCALE: 3/8" = 1'-0"