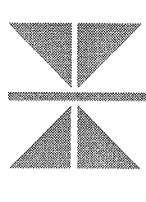


2007
**CHEROKEE CASINO
 EXPANSION**
 Canton, Oklahoma

ARCHITECT:



Thalden • Boyd Architects
A Native American Firm

16 East Oklahoma Street, Suite 200
 Oklahoma City, Oklahoma 73101
 (405) 527-7445
 St. Louis, MO Las Vegas, NV

THALDEN BOYD ARCHITECTS, LLC
 COPYRIGHT © 2007

THIS DRAWING AND ALL RIGHTS THEREIN ARE RESERVED BY THALDEN BOYD ARCHITECTS, LLC. NO PART OF THIS DRAWING MAY BE REPRODUCED OR TRANSMITTED IN ANY FORM OR BY ANY MEANS, ELECTRONIC OR MECHANICAL, WITHOUT PERMISSION IN WRITING FROM THALDEN BOYD ARCHITECTS, LLC.

CONSULTANTS:

ONE ENGINEERING:
 4742 E. 62nd PLACE
 OKLAHOMA CITY, OKLAHOMA 73149
 PHONE: (405) 751-7716
 FAX: (405) 751-4078

MECHANICAL ELECTRICAL & PLUMBING ENGINEERING:
 FINEGAN PERDUE ASSOCIATES
 2827 W. HENDERSON, NV 89002-0700
 PHONE: (702) 293-4001
 FAX: (702) 293-4001
 www.fineganperdue.com

STRUCTURAL ENGINEERING:
 CONSULTING ENGINEERS, INC.
 850 JEFFERSON, NE
 ALBUQUERQUE, NM 87102-0718
 PHONE: (505) 344-4000
 FAX: (505) 344-5279

FOODSERVICE CONSULTANT:
 BLASDEL & ASSOCIATES
 1000 N. UNIVERSITY AVENUE
 TULSA, OKLAHOMA 74106
 PHONE: (918) 749-6833
 FAX: (918) 749-6834

SEAL:



REVISIONS:

DATE	DESCRIPTION
04/10/2008	HOTEL INT. FINISH PROPOSE
05/09/2008	CONSTRUCTION DOCUMENTS

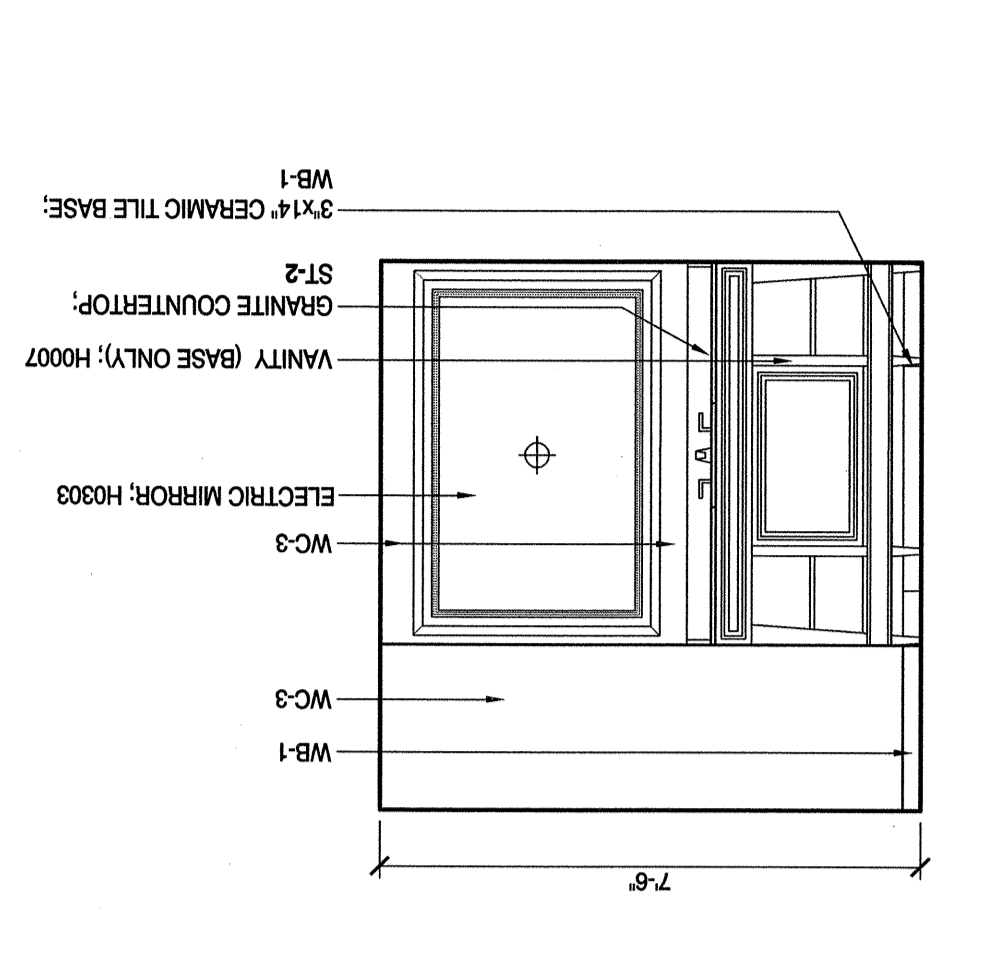
NO. BY DATE

TITLE:
**FULL SUITE INTERIOR
 WALL ELEVATIONS**

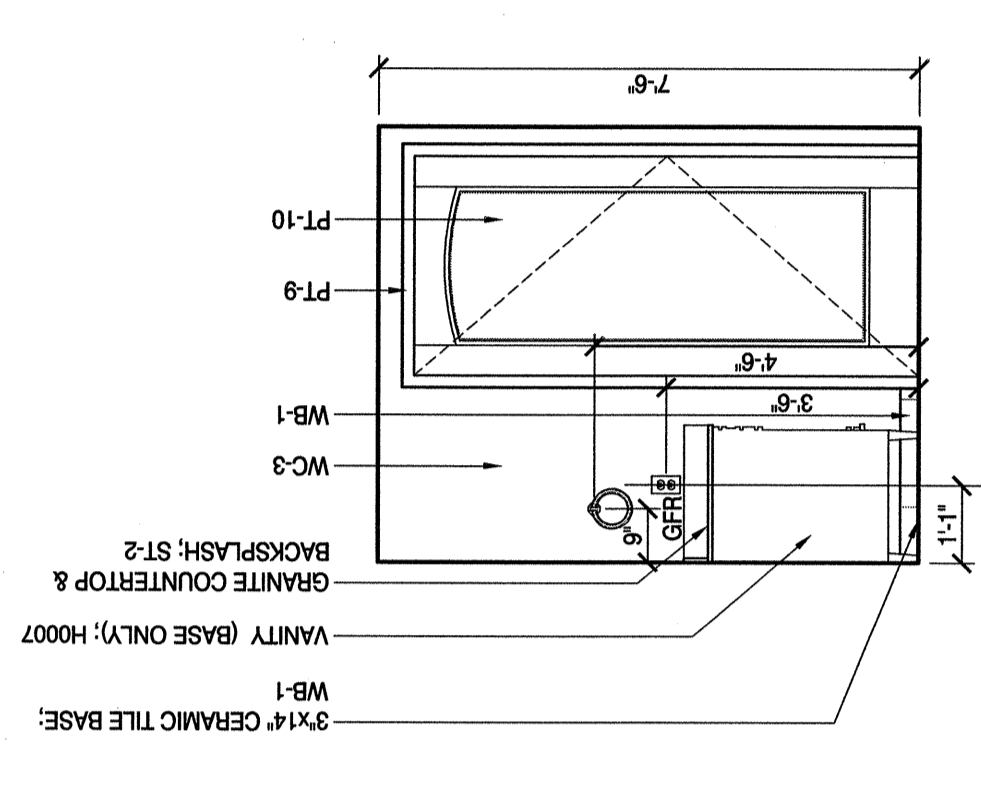
PROJECT NO. 06412
 DATE: 05/15/2008
 SCALE: AS SHOWN

CONSTRUCTION DOCUMENTS

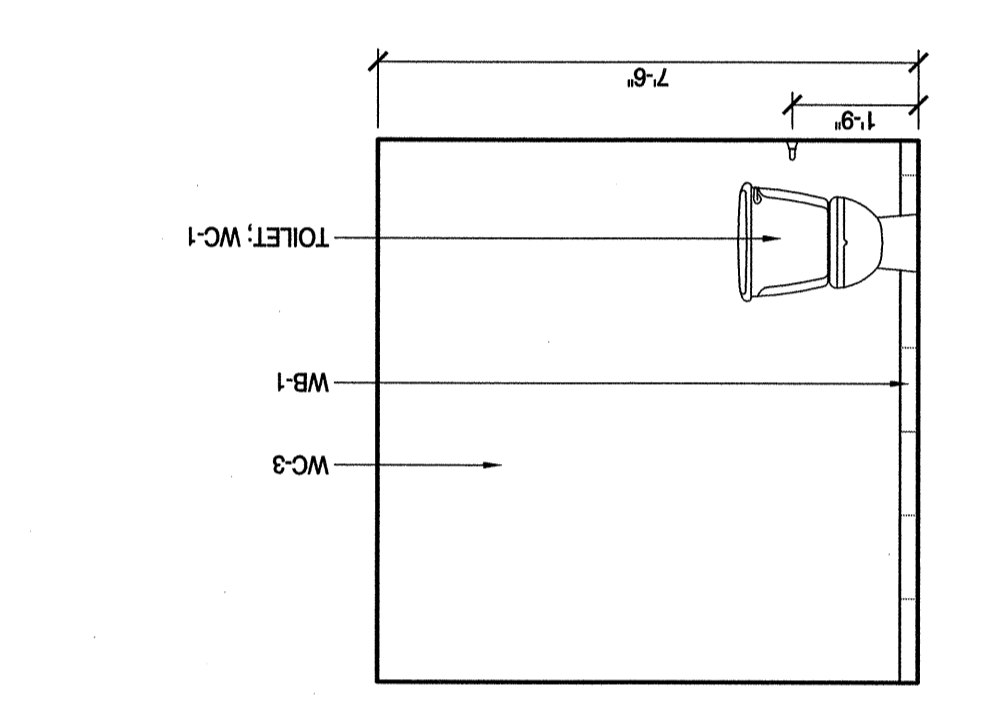
DRAWING NO.
A635



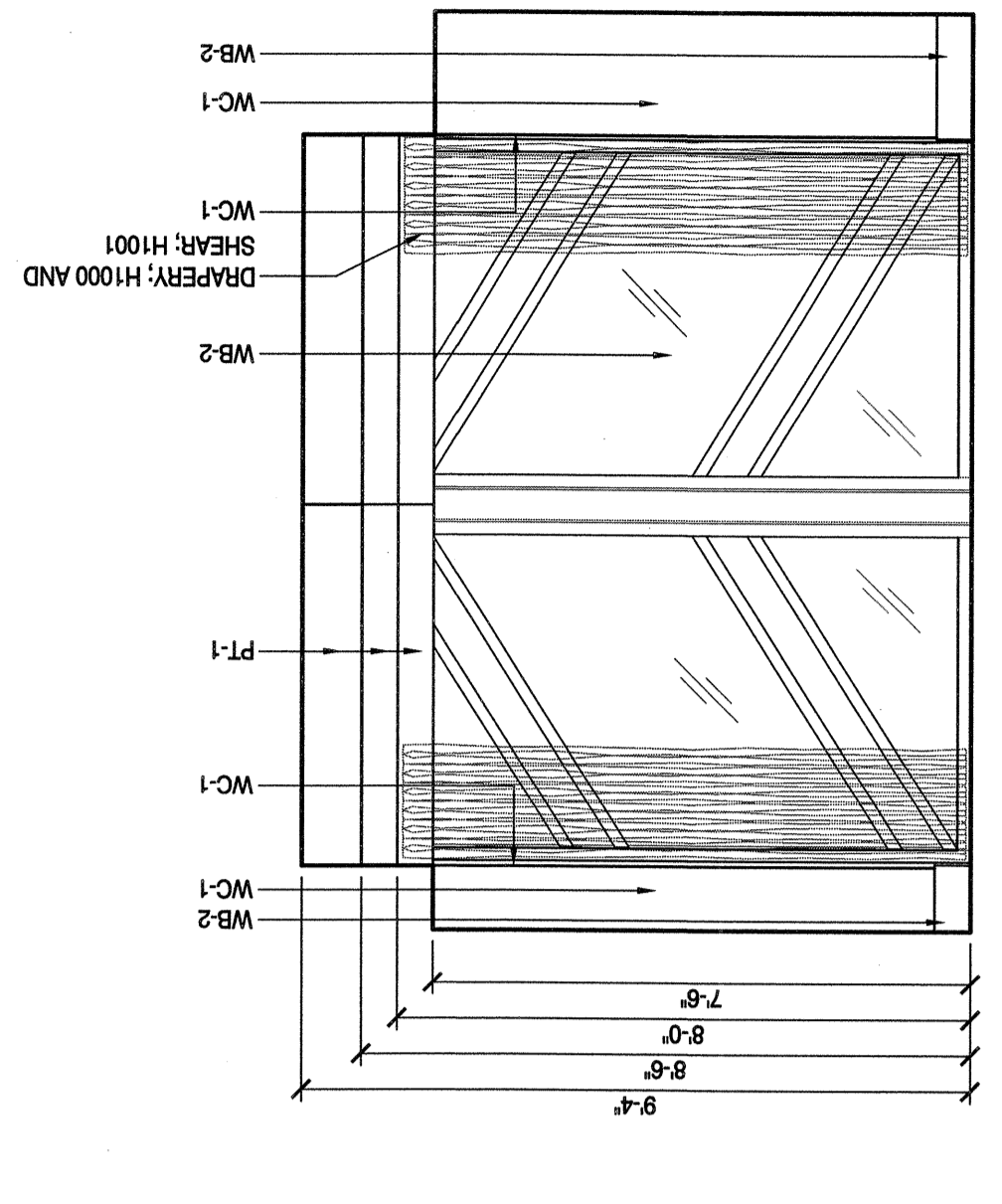
T FULL SUITE INT. WALL ELEVATION
 SCALE: 3/8" = 1'-0"



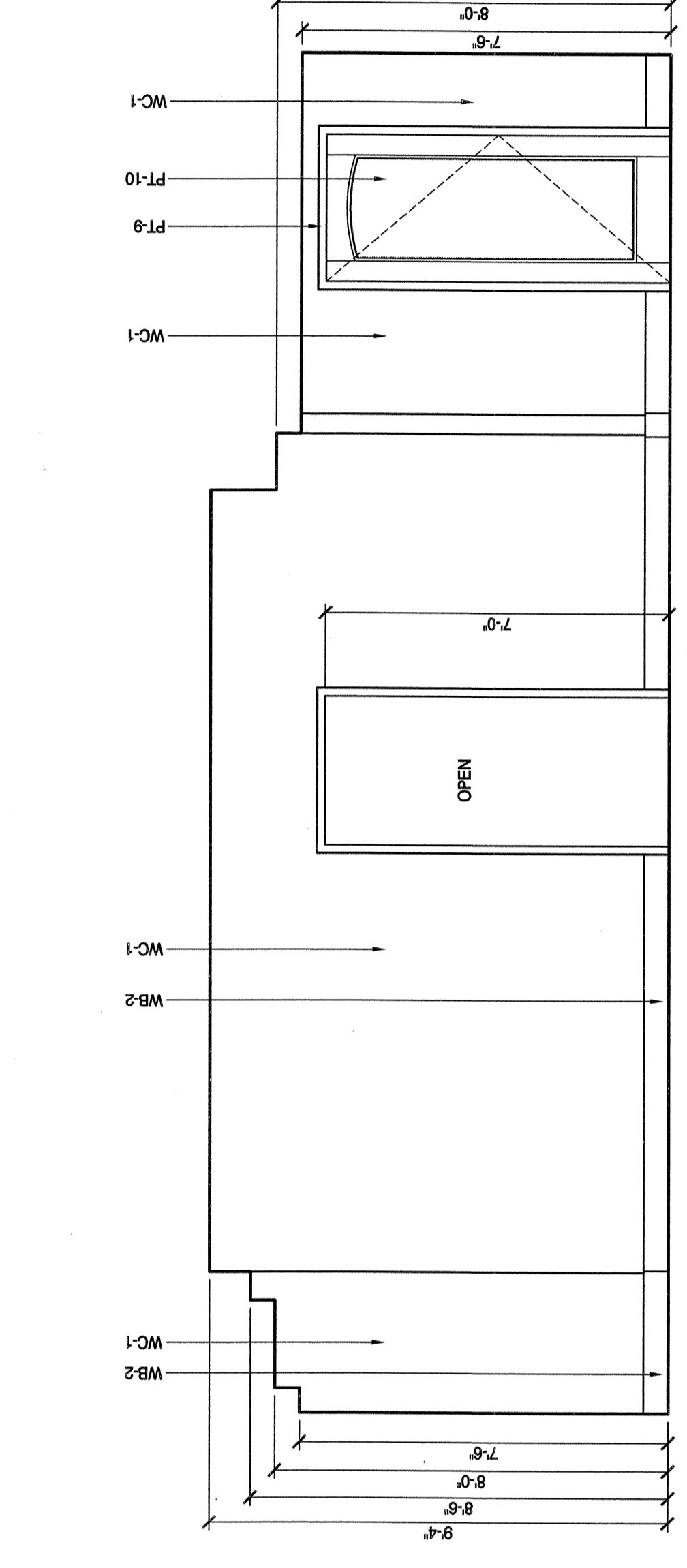
S FULL SUITE INT. WALL ELEVATION
 SCALE: 3/8" = 1'-0"



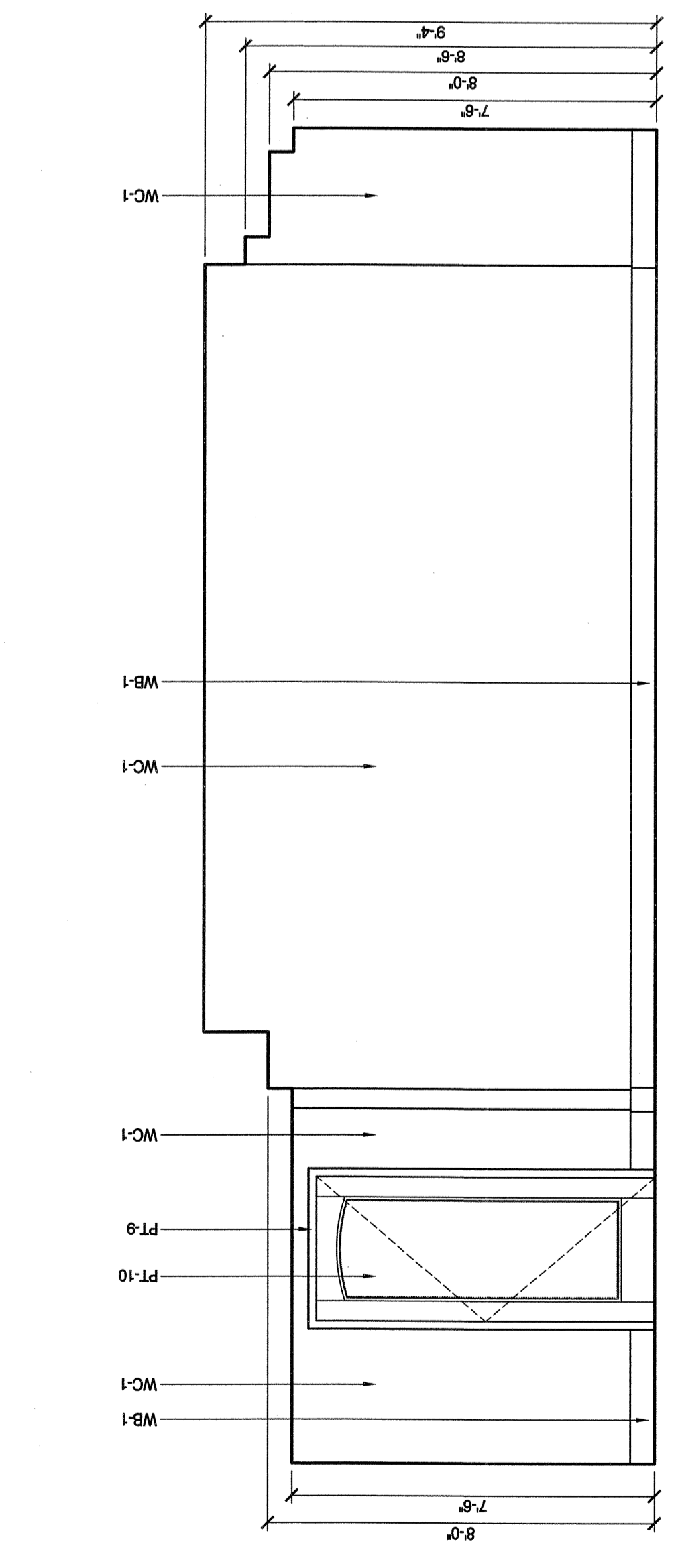
U FULL SUITE INT. WALL ELEVATION
 SCALE: 3/8" = 1'-0"



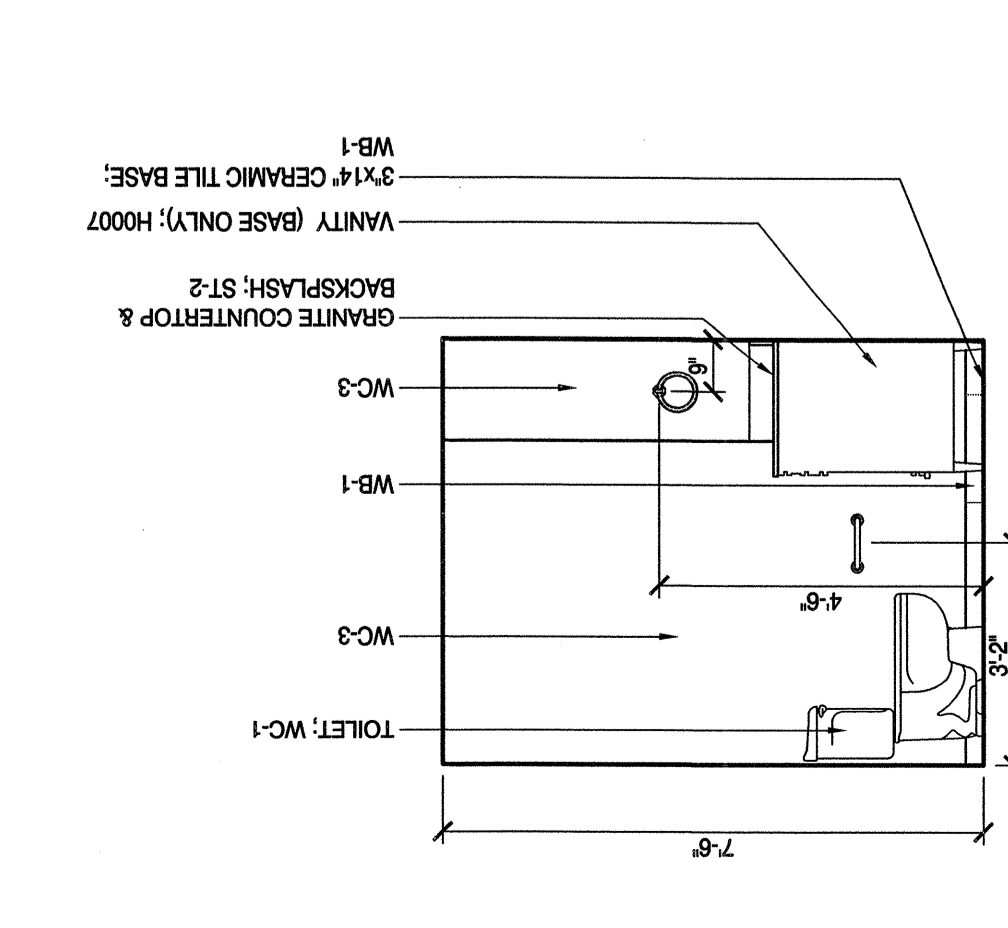
M FULL SUITE INT. WALL ELEVATION
 SCALE: 3/8" = 1'-0"



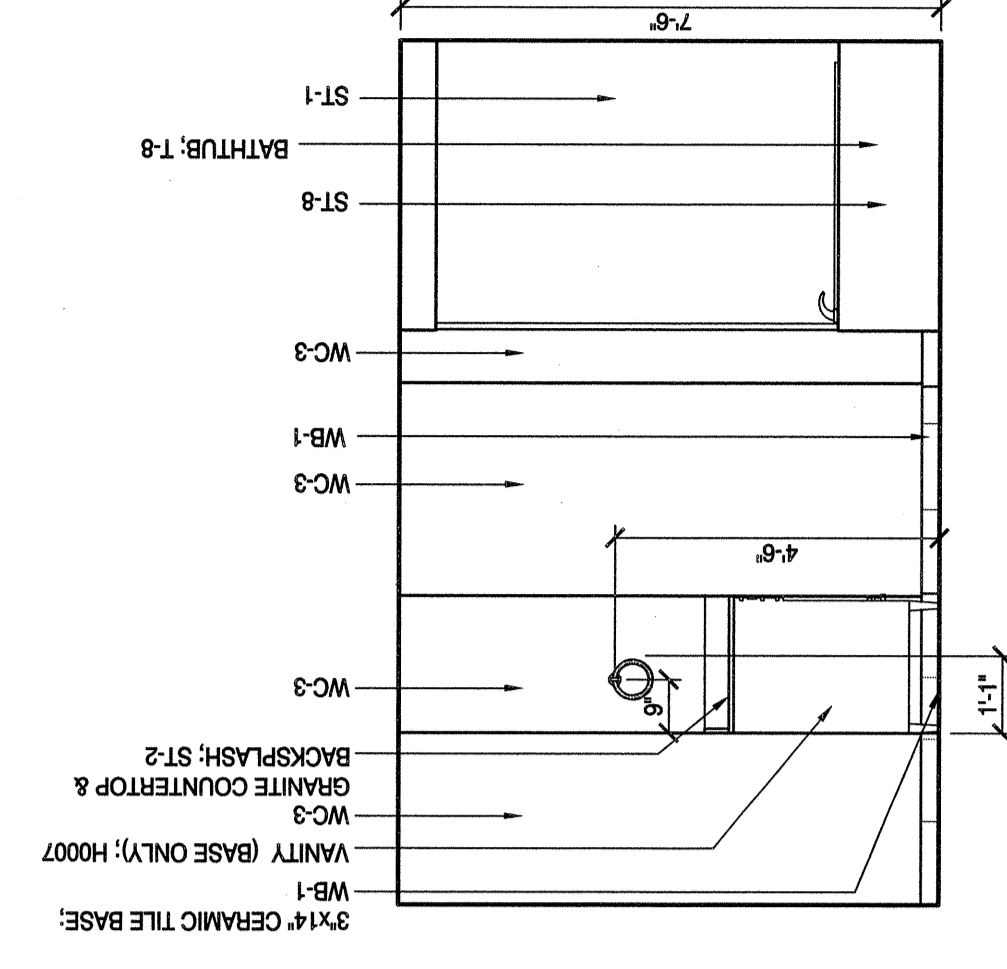
N FULL SUITE INT. WALL ELEVATION
 SCALE: 3/8" = 1'-0"



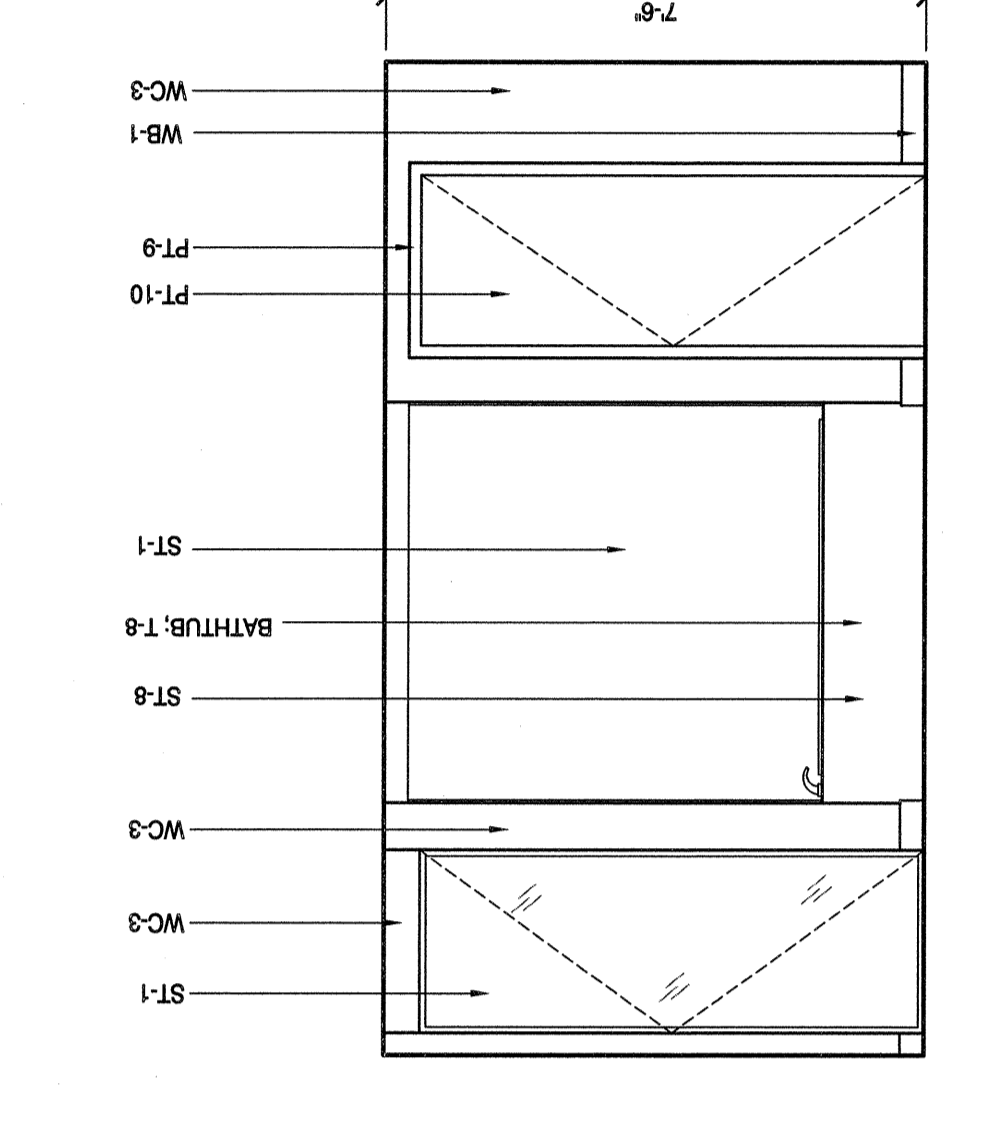
P FULL SUITE INT. WALL ELEVATION
 SCALE: 3/8" = 1'-0"



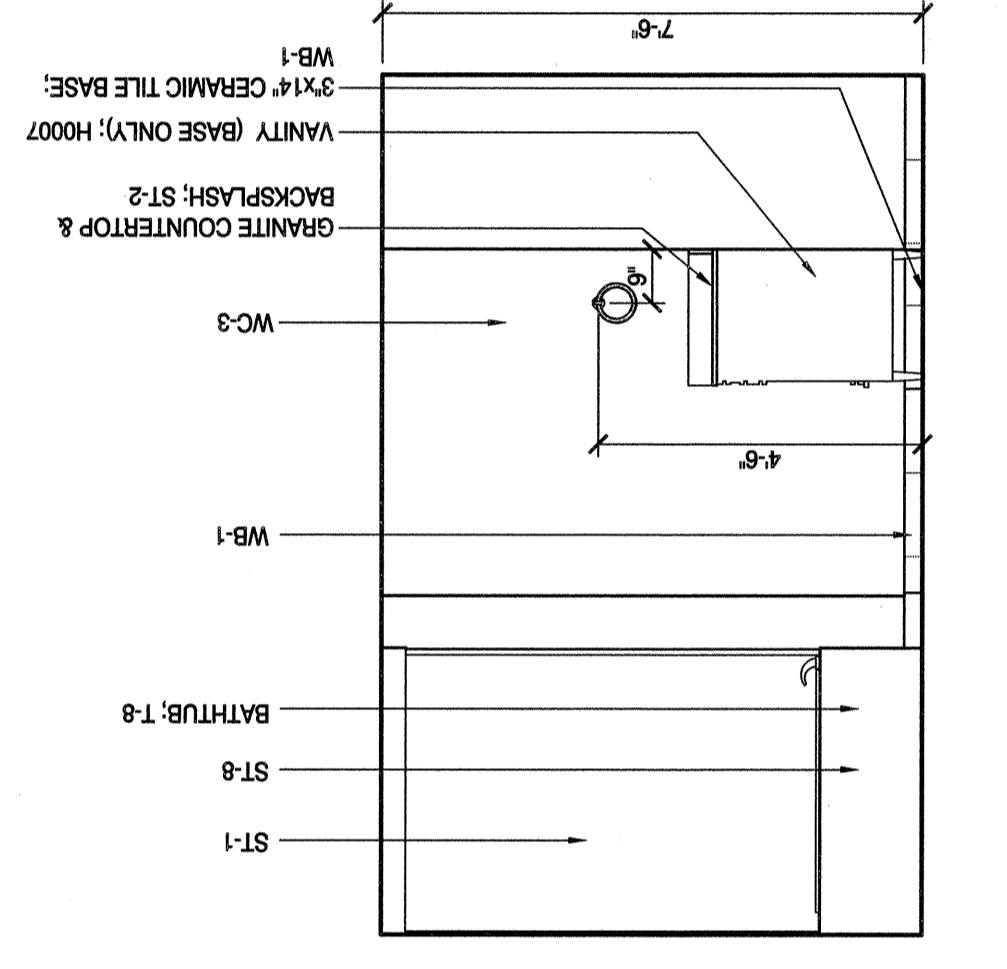
Q FULL SUITE INT. WALL ELEVATION
 SCALE: 3/8" = 1'-0"



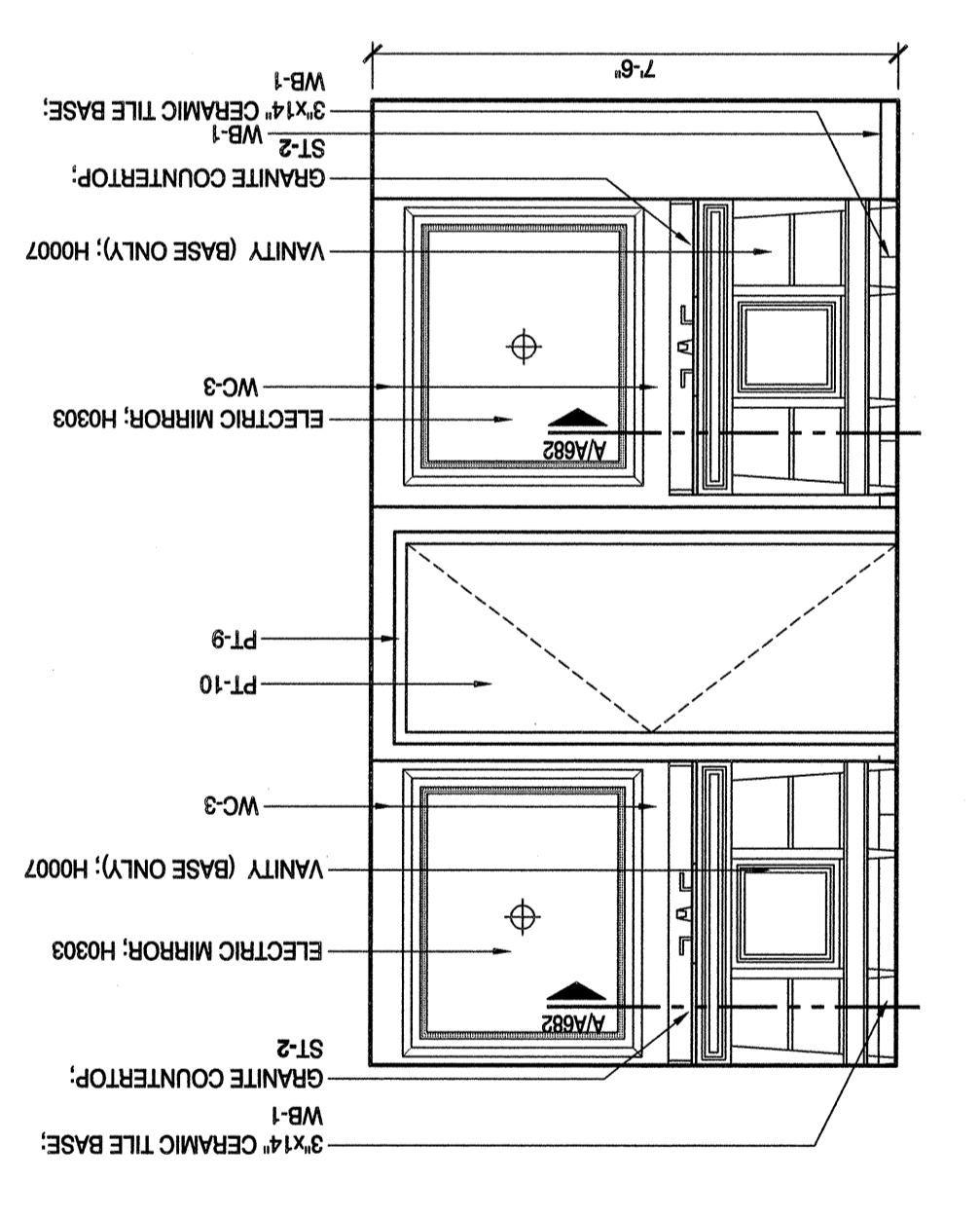
F FULL SUITE INT. WALL ELEVATION
 SCALE: 3/8" = 1'-0"



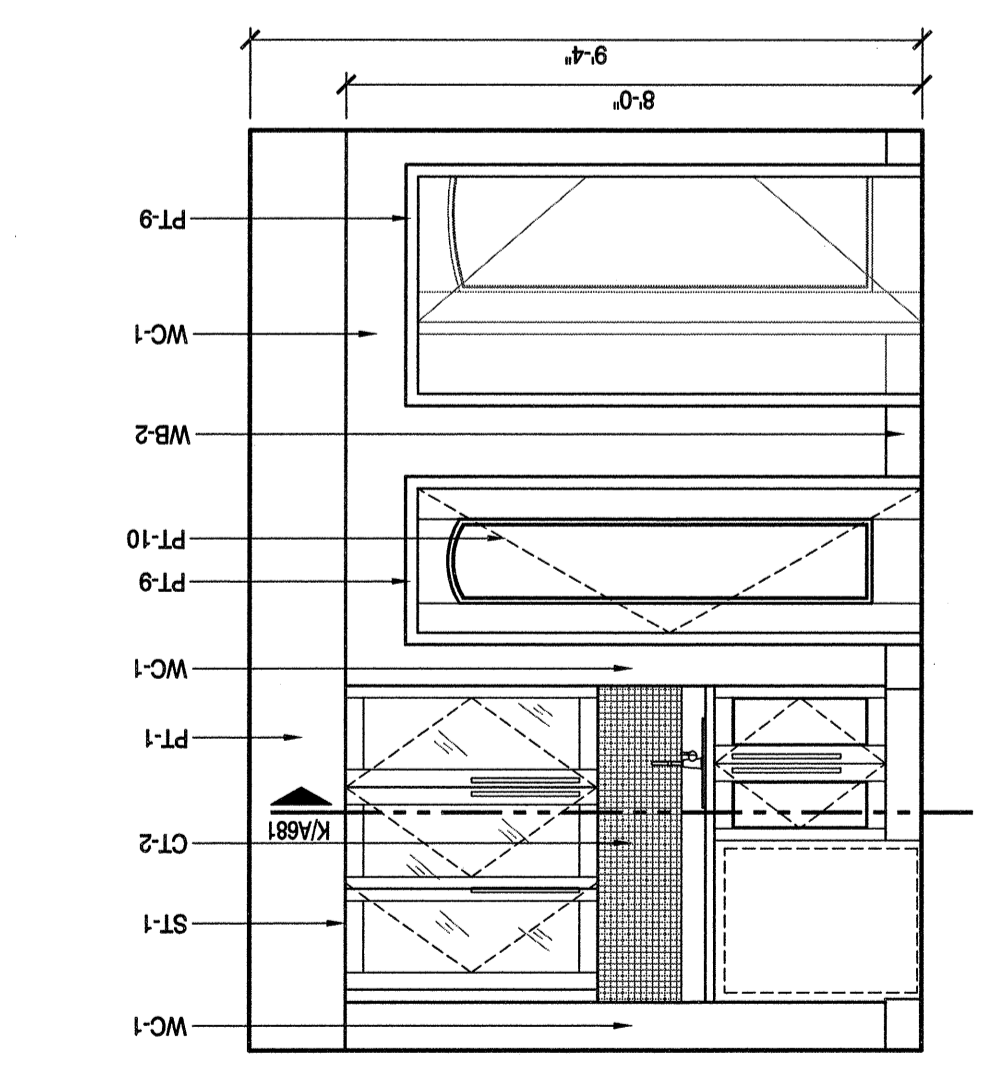
G FULL SUITE INT. WALL ELEVATION
 SCALE: 3/8" = 1'-0"



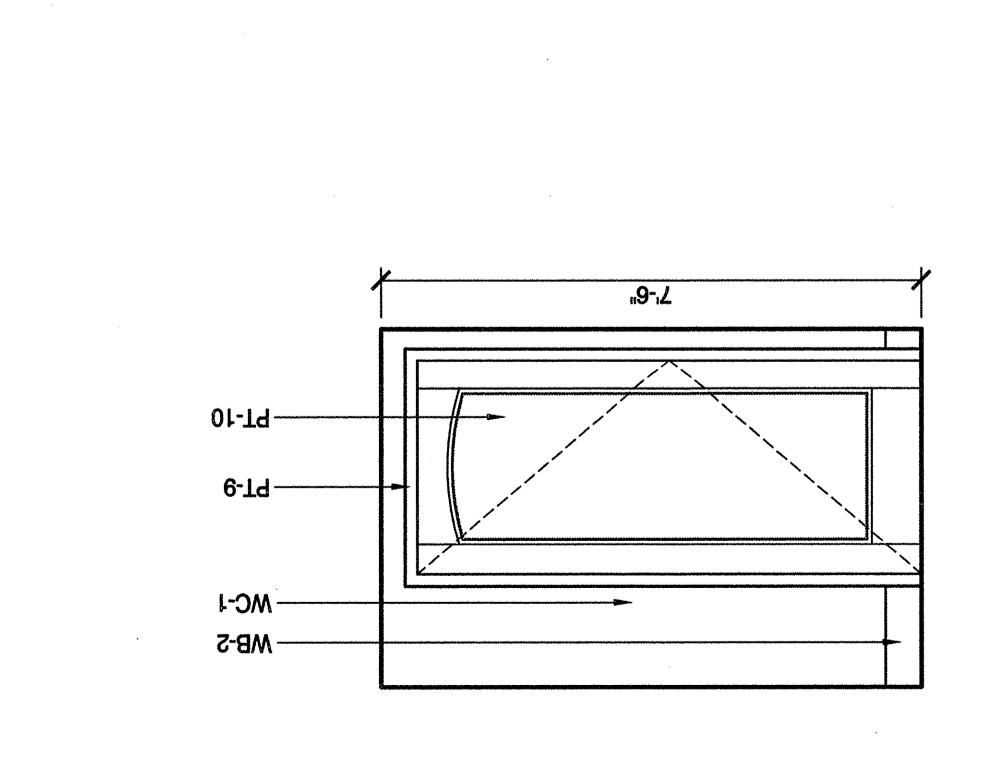
H FULL SUITE INT. WALL ELEVATION
 SCALE: 3/8" = 1'-0"



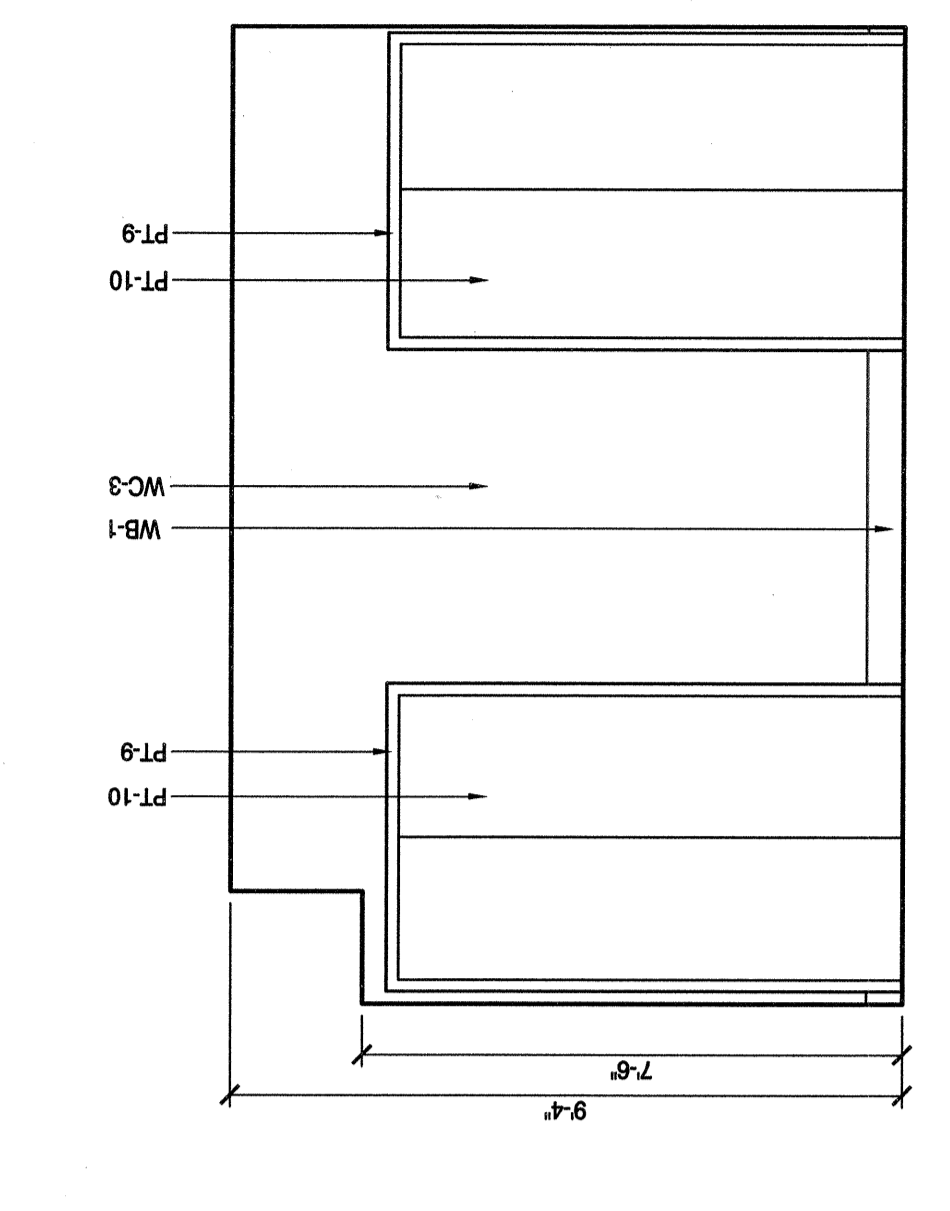
J FULL SUITE INT. WALL ELEVATION
 SCALE: 3/8" = 1'-0"



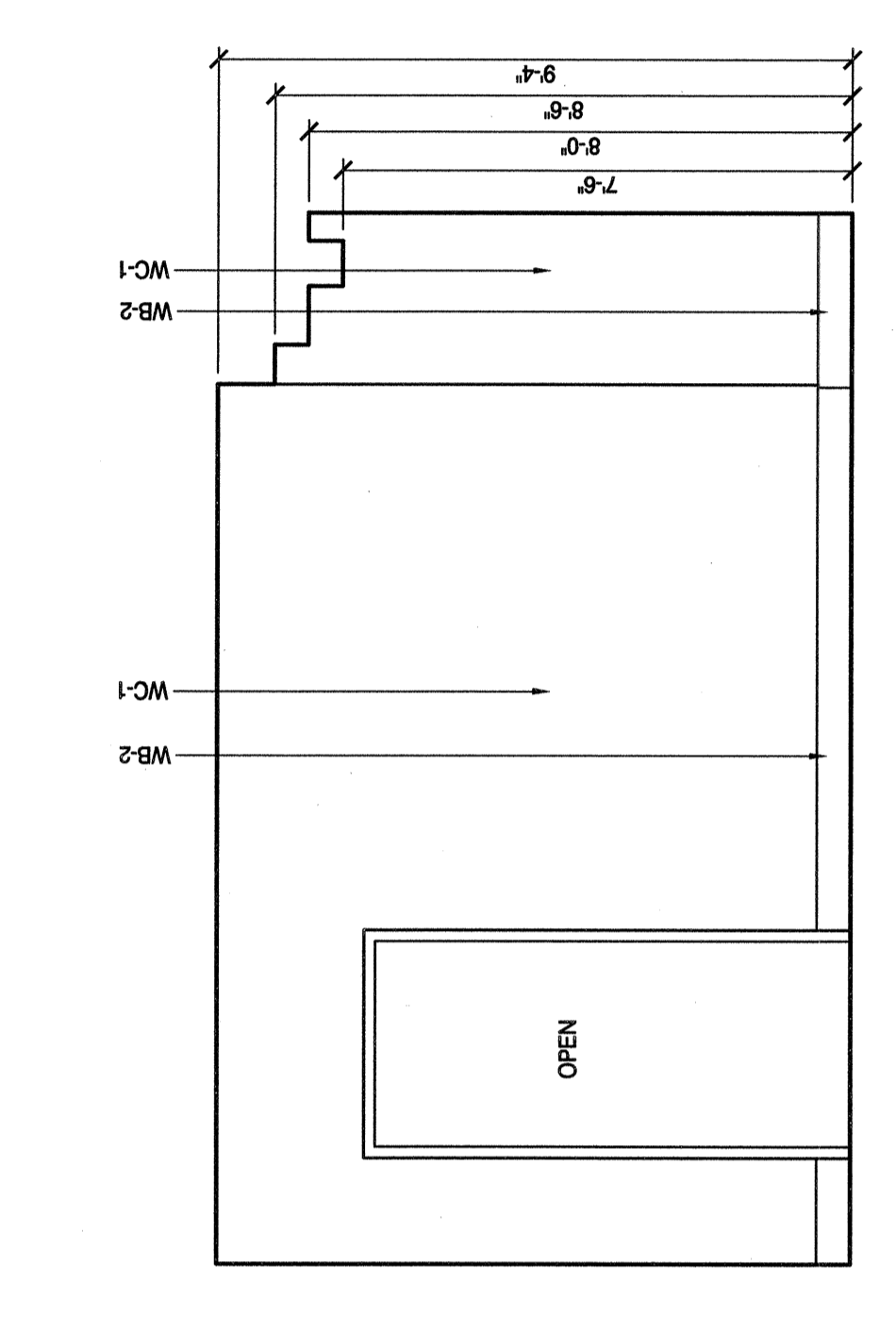
K FULL SUITE INT. WALL ELEVATION
 SCALE: 3/8" = 1'-0"



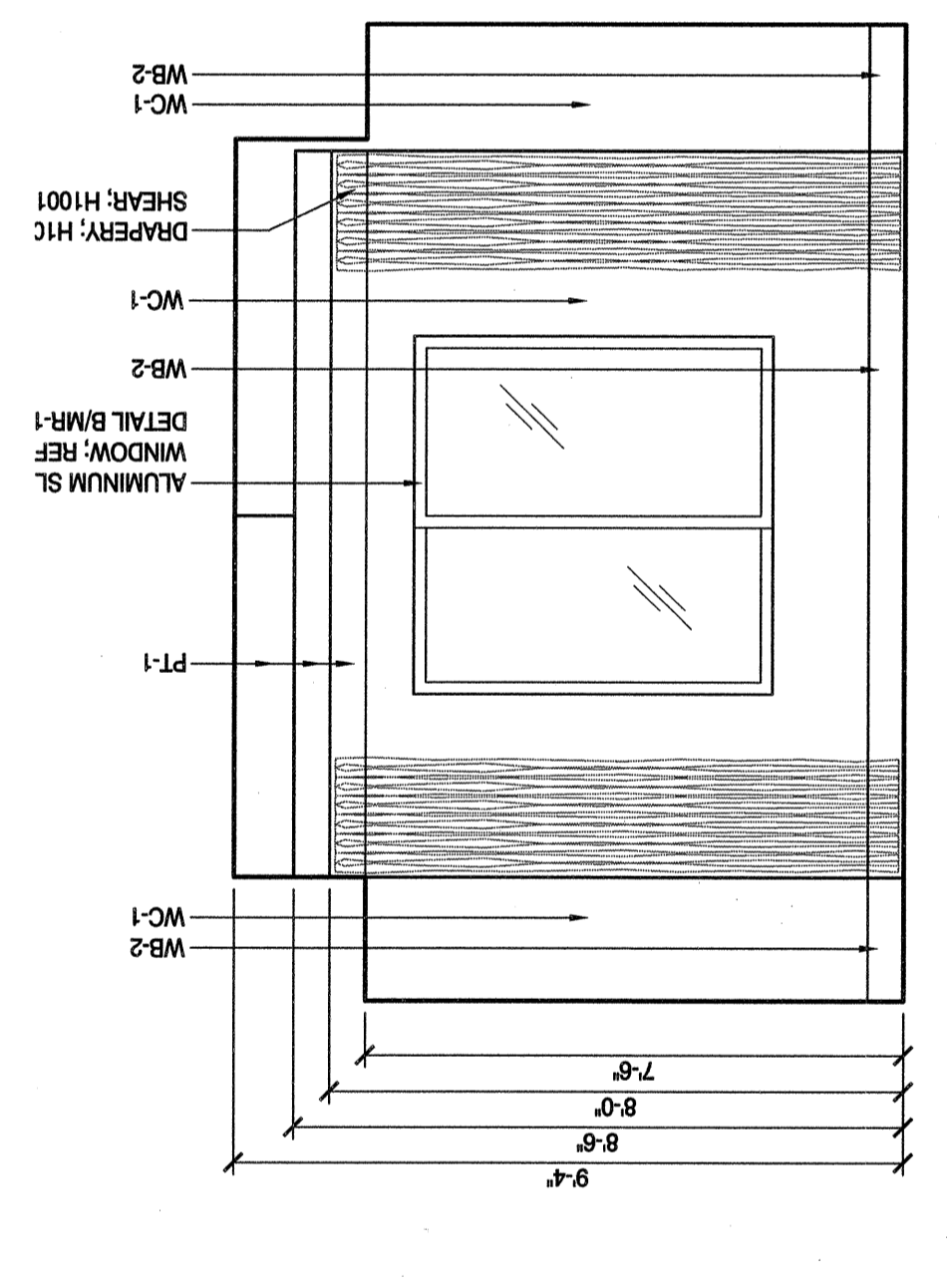
L FULL SUITE INT. WALL ELEVATION
 SCALE: 3/8" = 1'-0"



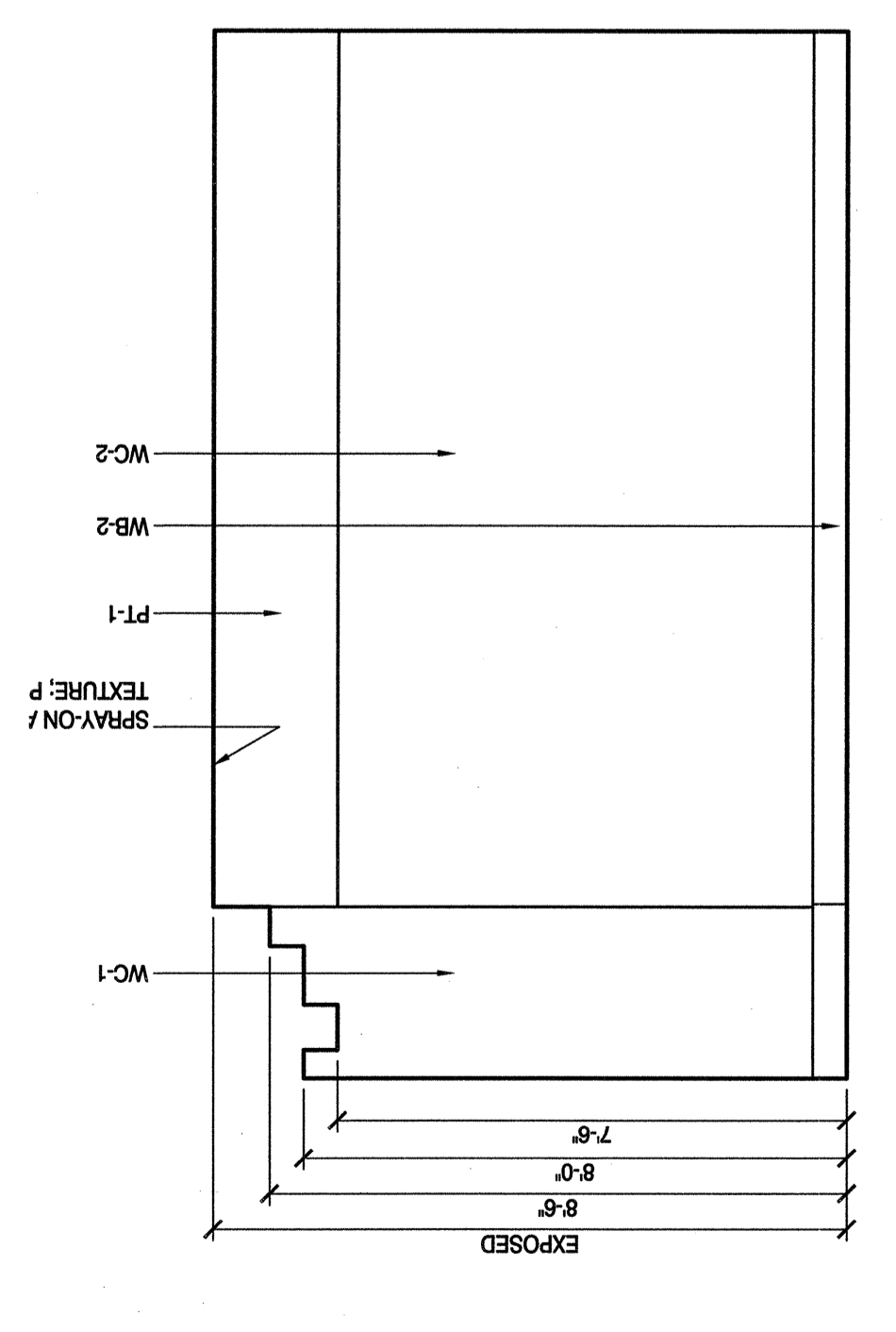
A FULL SUITE INT. WALL ELEVATION
 SCALE: 3/8" = 1'-0"



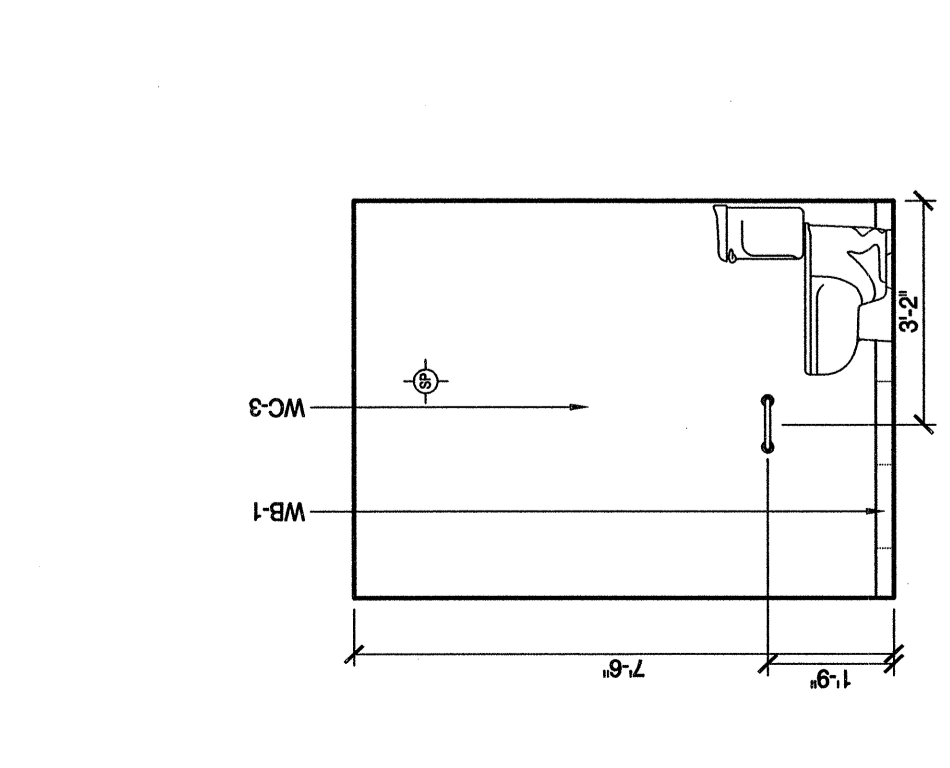
B FULL SUITE INT. WALL ELEVATION
 SCALE: 3/8" = 1'-0"



C FULL SUITE INT. WALL ELEVATION
 SCALE: 3/8" = 1'-0"



D FULL SUITE INT. WALL ELEVATION
 SCALE: 3/8" = 1'-0"



E FULL SUITE INT. WALL ELEVATION
 SCALE: 3/8" = 1'-0"