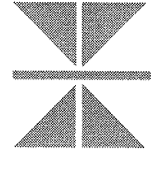




2007
**CHEROKEE CASINO
 EXPANSION**
 Canton, Oklahoma

ARCHITECT:



Thalden Boyd Architects
A Native American Firm

16 South Tower, Suite 200
 Tulsa, Oklahoma 74118
 (918) 587-7445
 St. Louis, MO Las Vegas, NV

THALDEN BOYD ARCHITECTS, LLC

COPYRIGHT 2007

THIS DESIGN AND DRAWING ARE CONSIDERED THE PROPERTY OF THALDEN BOYD ARCHITECTS, LLC. NO PART OF THIS DESIGN OR DRAWING MAY BE REPRODUCED OR TRANSMITTED IN ANY FORM OR BY ANY MEANS, ELECTRONIC OR MECHANICAL, WITHOUT PERMISSION IN WRITING FROM THALDEN BOYD ARCHITECTS, LLC.

CONSULTANTS:

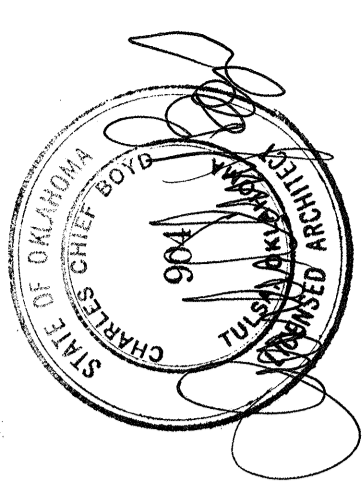
CIVIL ENGINEERING:
 4124 E. 63RD PLAZA
 TULSA, OKLAHOMA 74118
 PHONE: (918) 584-5078
 FAX: (918) 584-5078

MECHANICAL, ELECTRICAL & PLUMBING ENGINEERING:
 PFM CONSULTING ASSOCIATES
 2625 N. WILSON ROAD, SUITE 100
 HENDERSON, NV 89002
 PHONE: (702) 269-8651
 FAX: (702) 269-8651
 www.pfmeng.com

STRUCTURAL ENGINEERING:
 CONSULTING ENGINEERS, INC.
 8650 JEFFERSON, N.E.
 ALBUQUERQUE, NM 87119
 PHONE: (505) 344-4000
 FAX: (505) 344-9759

FOODSERVICE CONSULTANT:
 BLASDEL & ASSOCIATES
 1000 N. UNIVERSITY AVENUE, SUITE 100
 TULSA, OKLAHOMA 74116
 PHONE: (918) 749-1853
 FAX: (918) 749-8204

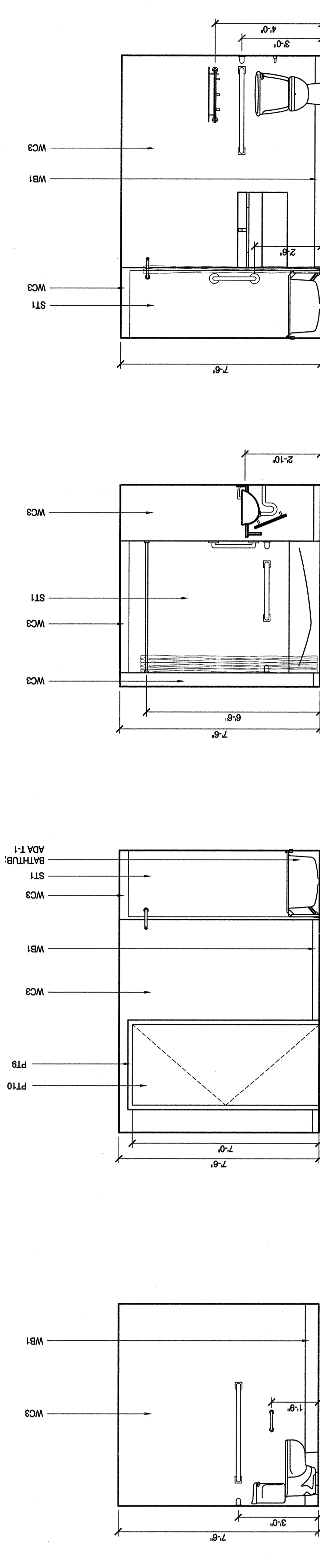
SEAL:



REVISIONS:	NO.	BY	DATE
04/10/2008 HOTEL FINISH PACKAGE			
05/09/2008 CONSTRUCTION DOCUMENTS			

TITLE:
ADA KING ROOM INTERIOR WALL ELEVATIONS
PROJECT NO. 05472
DATE: 05/15/2008
SCALE: AS SHOWN

CONSTRUCTION DOCUMENTS
 DRAWING NO. **A636**

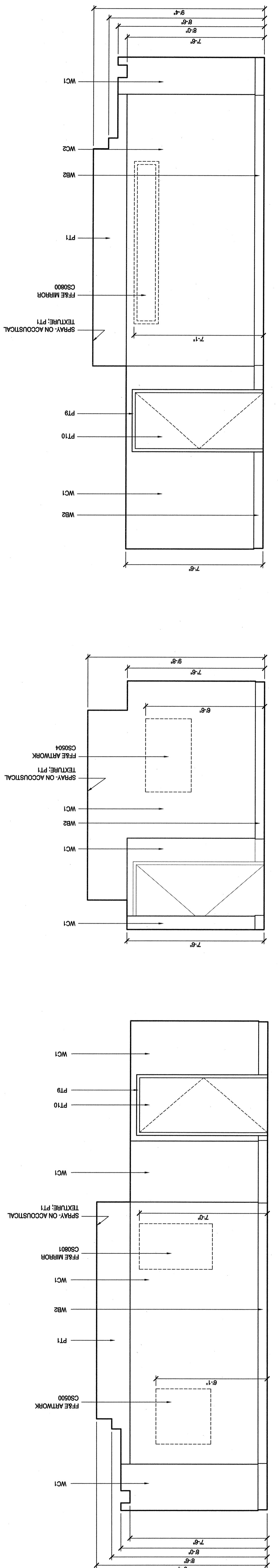


G ADA KING ROOM INTERIOR ELEVATION
 SCALE: 3/8" = 1'-0"

F ADA KING ROOM INTERIOR ELEVATION
 SCALE: 3/8" = 1'-0"

E ADA KING ROOM INTERIOR ELEVATION
 SCALE: 3/8" = 1'-0"

D ADA KING ROOM INTERIOR ELEVATION
 SCALE: 3/8" = 1'-0"



C ADA KING ROOM INTERIOR ELEVATION
 SCALE: 3/8" = 1'-0"

B ADA KING ROOM INTERIOR ELEVATION
 SCALE: 3/8" = 1'-0"

A ADA KING ROOM INTERIOR ELEVATION
 SCALE: 3/8" = 1'-0"