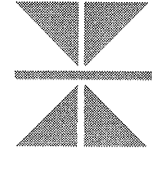


2007  
**CHEROKEE CASINO  
 EXPANSION**  
 Cherokee, Oklahoma

ARCHITECT:



**Thalden & Boyd Architects**  
 A Member of the Boyd Group

16 East 10th Street, Suite 500  
 St. Louis, MO 63103  
 (314) 997-7445

100 West 10th Street, Suite 200  
 Las Vegas, NV  
 (702) 259-8800

THALDEN & BOYD ARCHITECTS, LLC  
 COPYRIGHT 2007

THESE DRAWINGS AND DIMENSIONS ARE CONSIDERED TO BE THE PROPERTY OF THALDEN & BOYD ARCHITECTS, LLC. NO PART OF THESE DRAWINGS OR DIMENSIONS MAY BE REPRODUCED OR TRANSMITTED IN ANY FORM OR BY ANY MEANS, ELECTRONIC OR MECHANICAL, WITHOUT THE WRITTEN PERMISSION OF THALDEN & BOYD ARCHITECTS, LLC.

CONSULTANTS:

CIVIL ENGINEERING:  
 CH2M HILL

424 E. 8th PLAZA  
 TULSA, OKLAHOMA 74106  
 (918) 581-1111  
 FAX: (918) 584-5078

MECHANICAL ELECTRICAL & PLUMBING ENGINEERING:  
 FINESTAN ERICKSON ASSOCIATES

2827 W. 11th STREET  
 HENDERSON, NV 89002  
 (702) 269-8800  
 FAX: (702) 269-8801  
 www.finestane.com

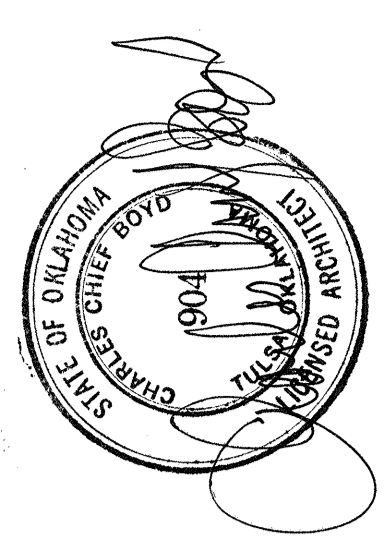
STRUCTURAL ENGINEERING:  
 CONSULTING ENGINEERS, INC.

800 JEFFERSON LANE  
 SUITE 200  
 ALBUQUERQUE, NM 87105  
 PHONE: (505) 344-4200  
 FAX: (505) 345-9759

FOODSERVICE CONSULTANT:  
 BLASER & ASSOCIATES

1000 EAST 10TH AVENUE  
 TULSA, OKLAHOMA 74106  
 PHONE: (918) 749-1800  
 FAX: (918) 749-8804

SEAL:



REVISIONS:

04/10/2008 HOTEL INT FINISHROCKE

05/09/2008 CONSTRUCTION DOCUMENTS

NO. BY DATE

TITLE:

ADA FULL SUITE INTERIOR WALL ELEVATIONS

PROJECT NO.: 06412

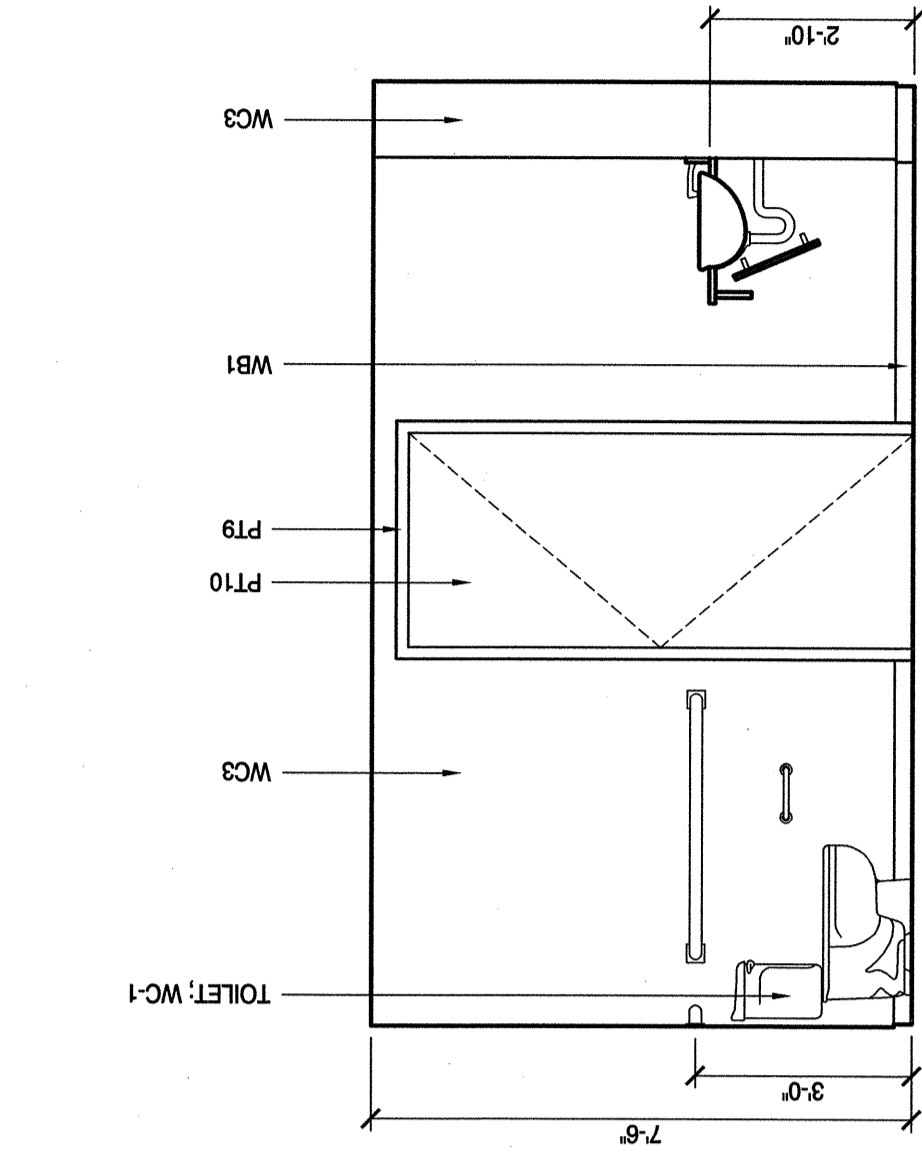
DATE: 02/18/2008

SCALE: AS SHOWN

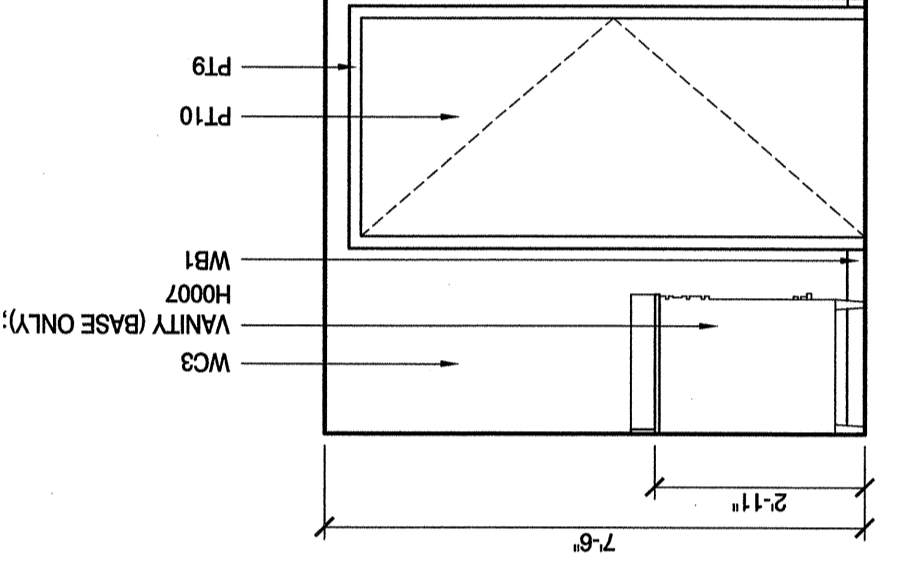
CONSTRUCTION DOCUMENTS

DRAWING NO.

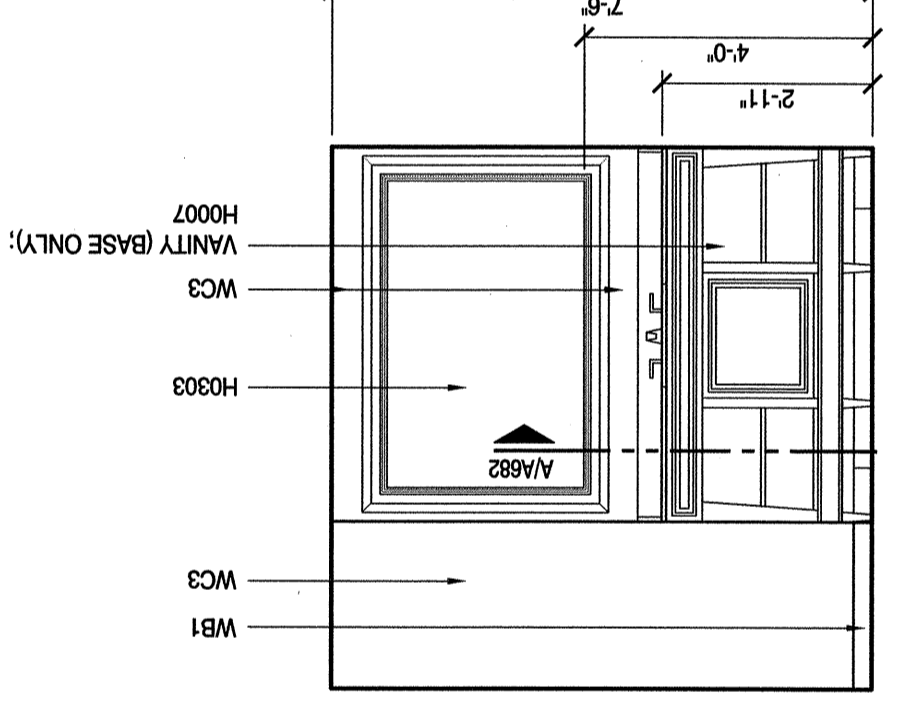
A637



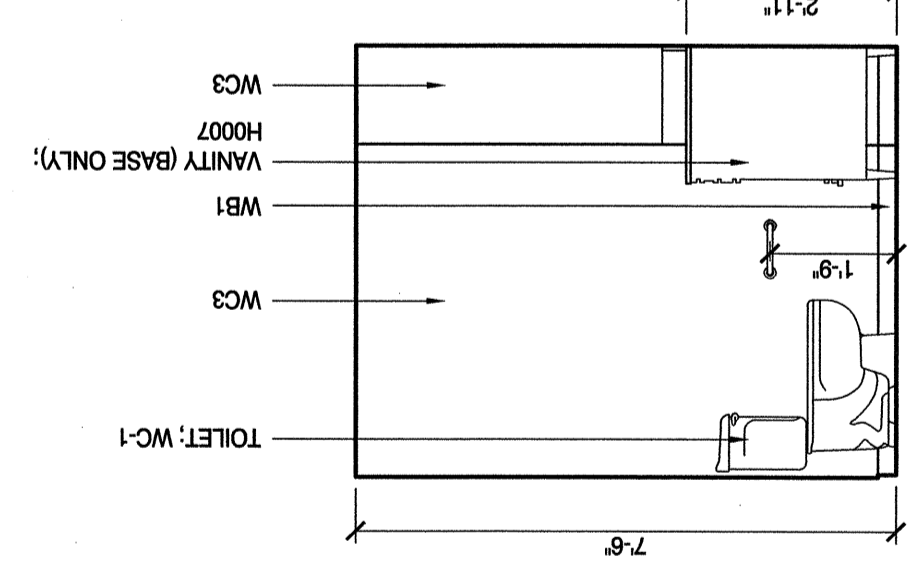
**T** ADA FULL SUITE INTERIOR ELEVATION  
 SCALE: 3/8" = 1'-0"



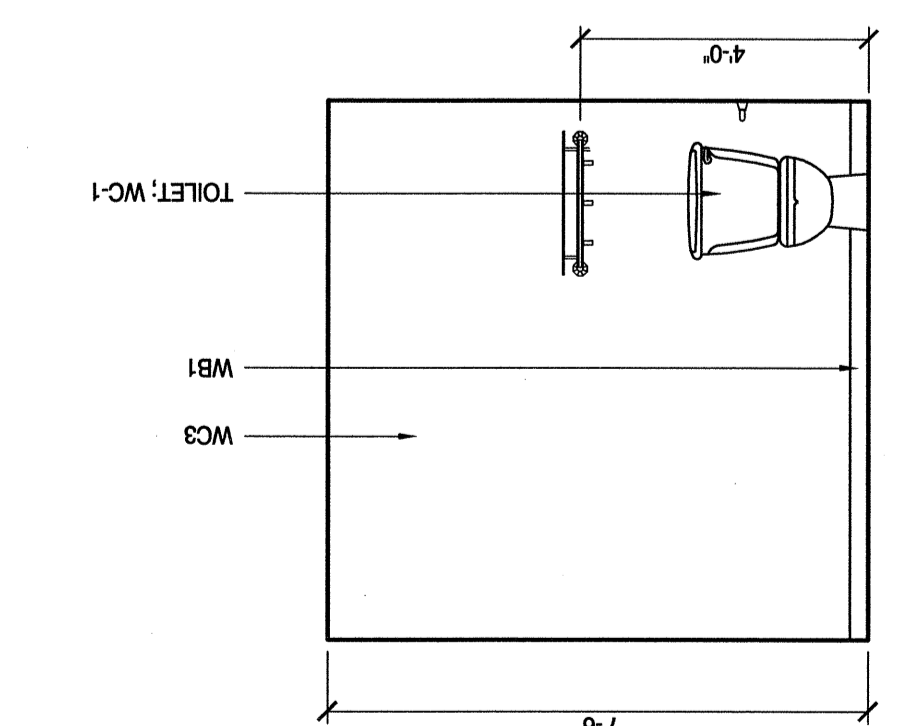
**P** ADA FULL SUITE INTERIOR ELEVATION  
 SCALE: 3/8" = 1'-0"



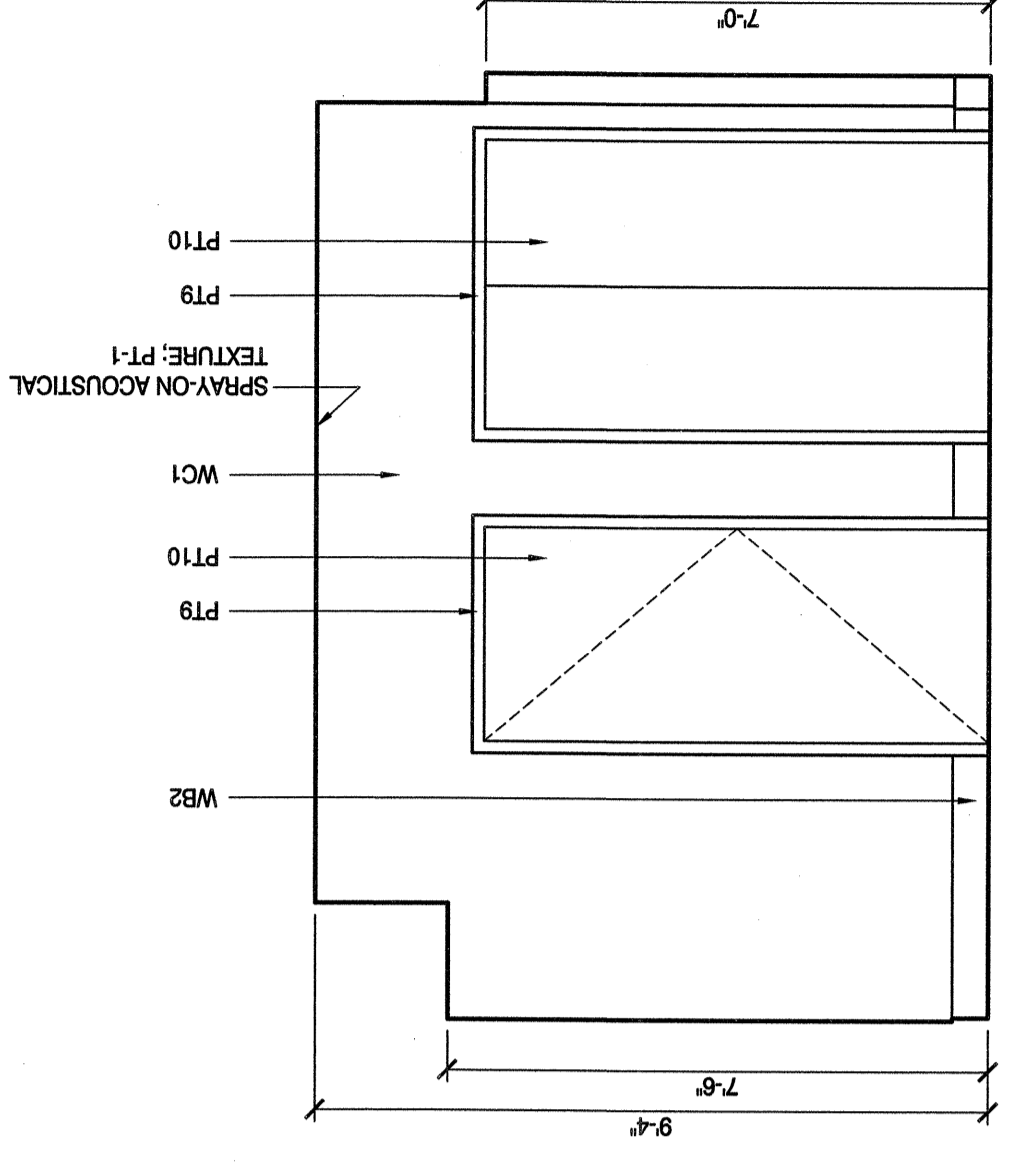
**R** ADA FULL SUITE INTERIOR ELEVATION  
 SCALE: 3/8" = 1'-0"



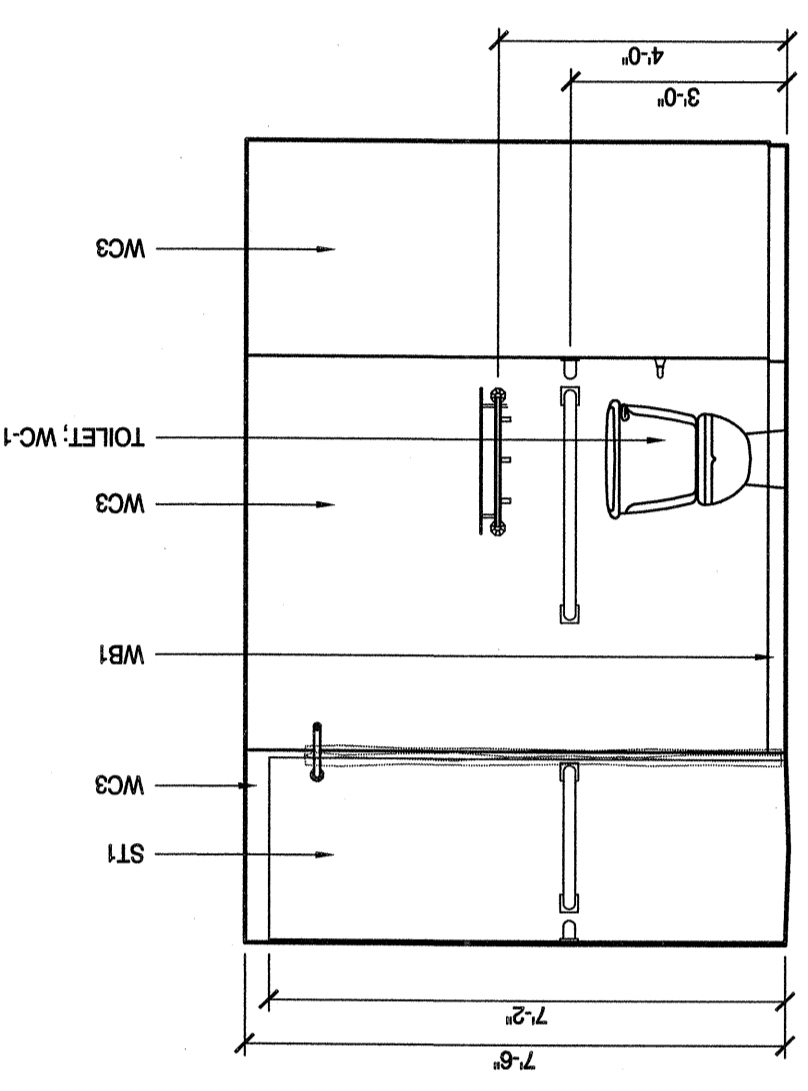
**S** ADA FULL SUITE INTERIOR ELEVATION  
 SCALE: 3/8" = 1'-0"



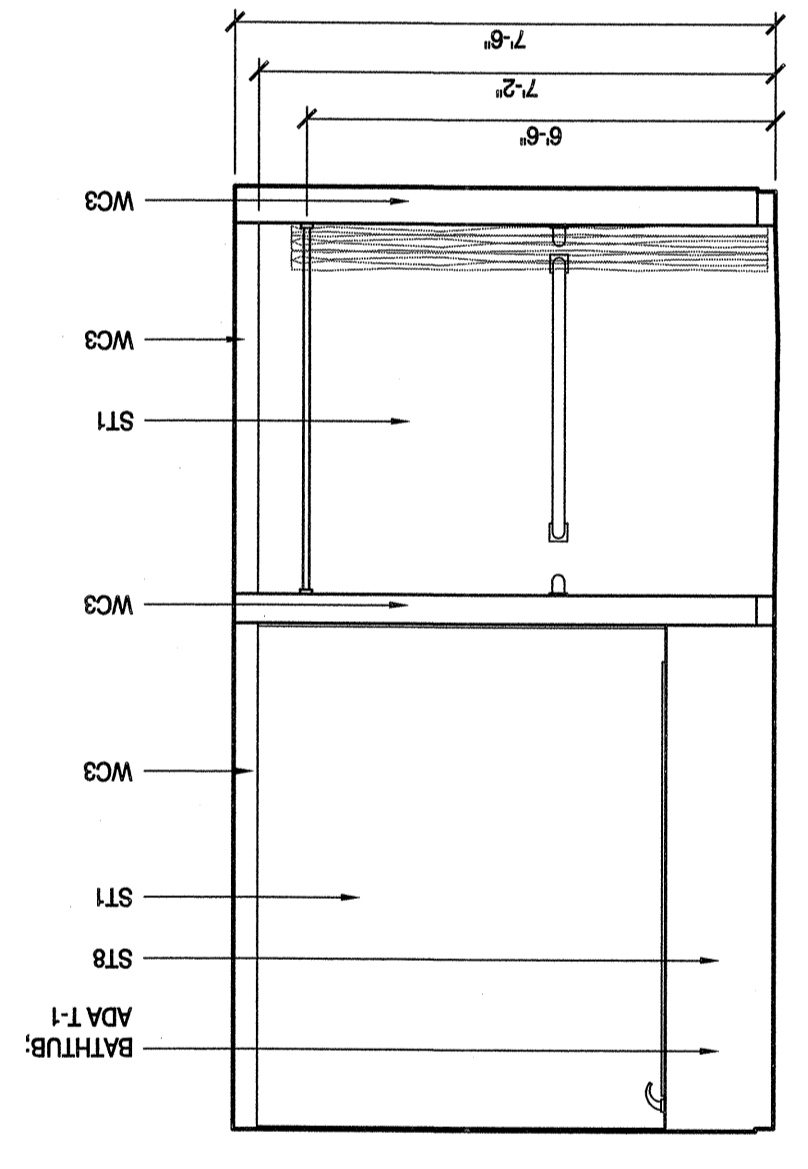
**M** ADA FULL SUITE INTERIOR ELEVATION  
 SCALE: 3/8" = 1'-0"



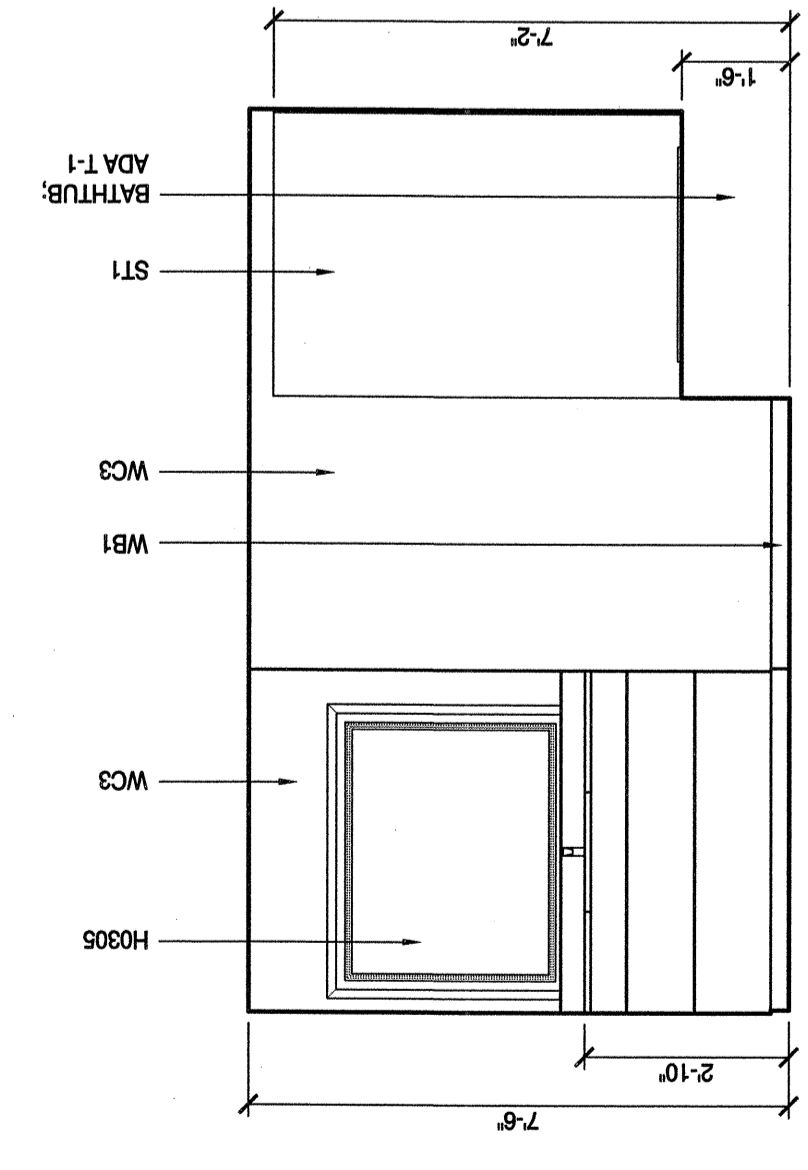
**J** ADA FULL SUITE INTERIOR ELEVATION  
 SCALE: 3/8" = 1'-0"



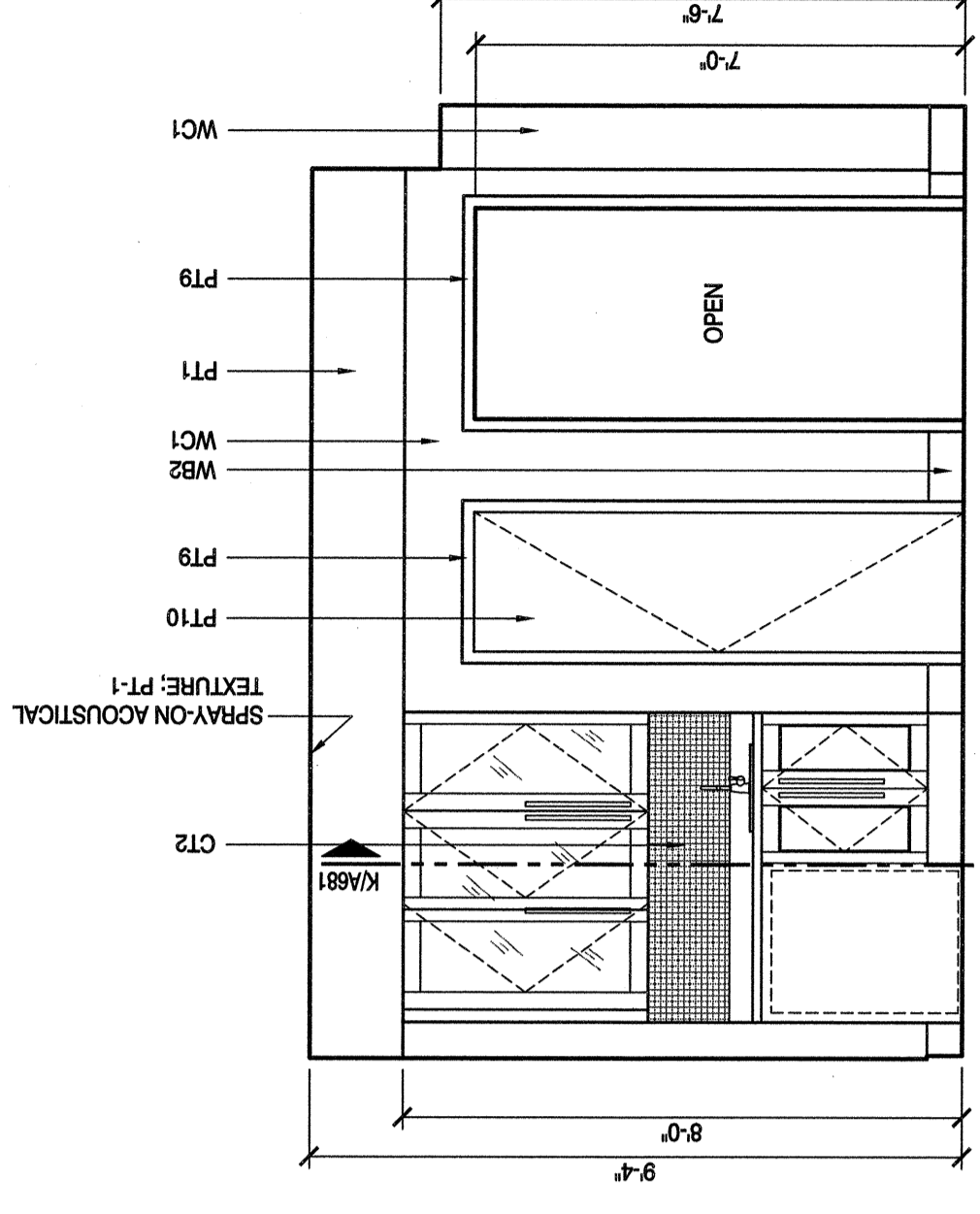
**K** ADA FULL SUITE INTERIOR ELEVATION  
 SCALE: 3/8" = 1'-0"



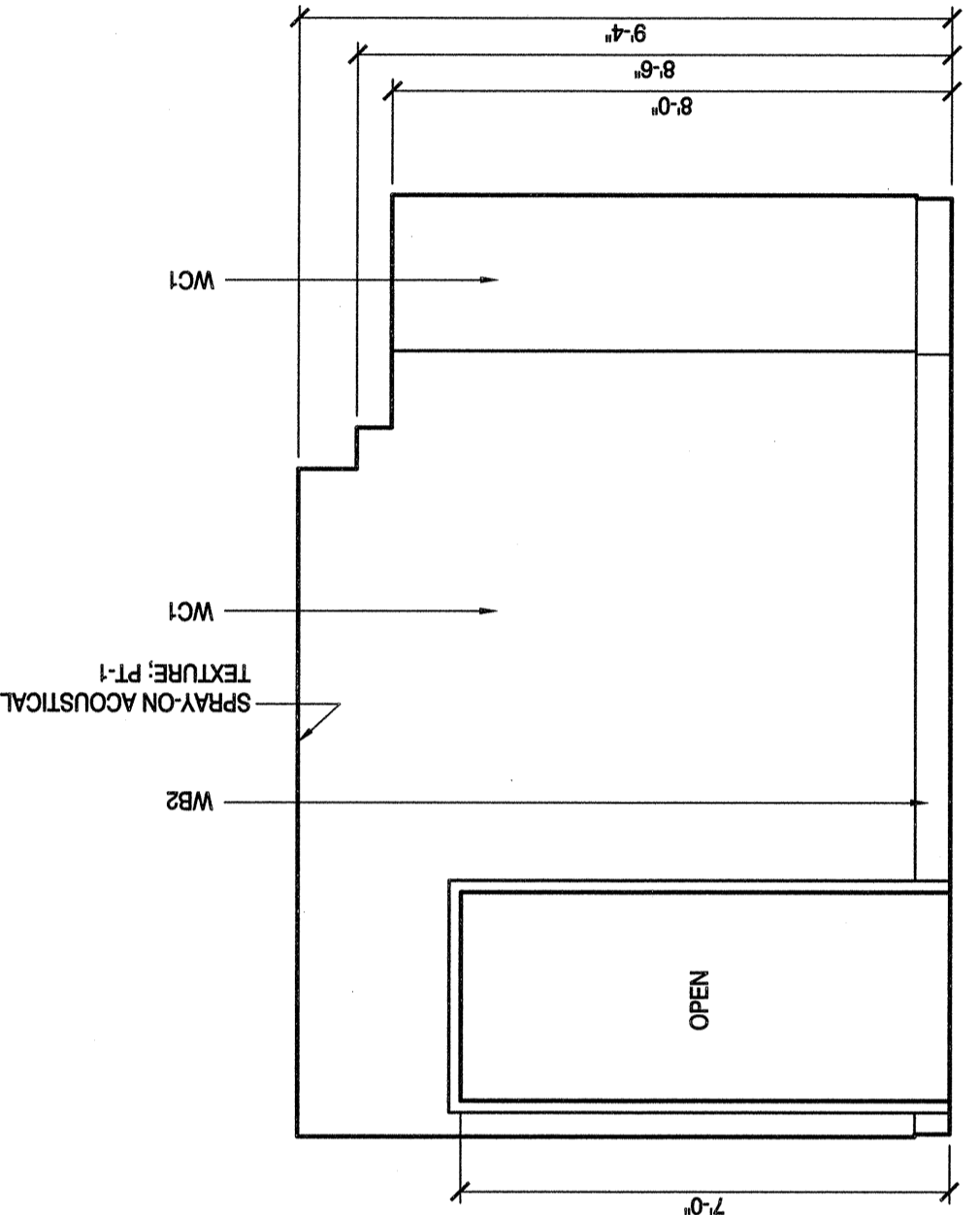
**L** ADA FULL SUITE INTERIOR ELEVATION  
 SCALE: 3/8" = 1'-0"



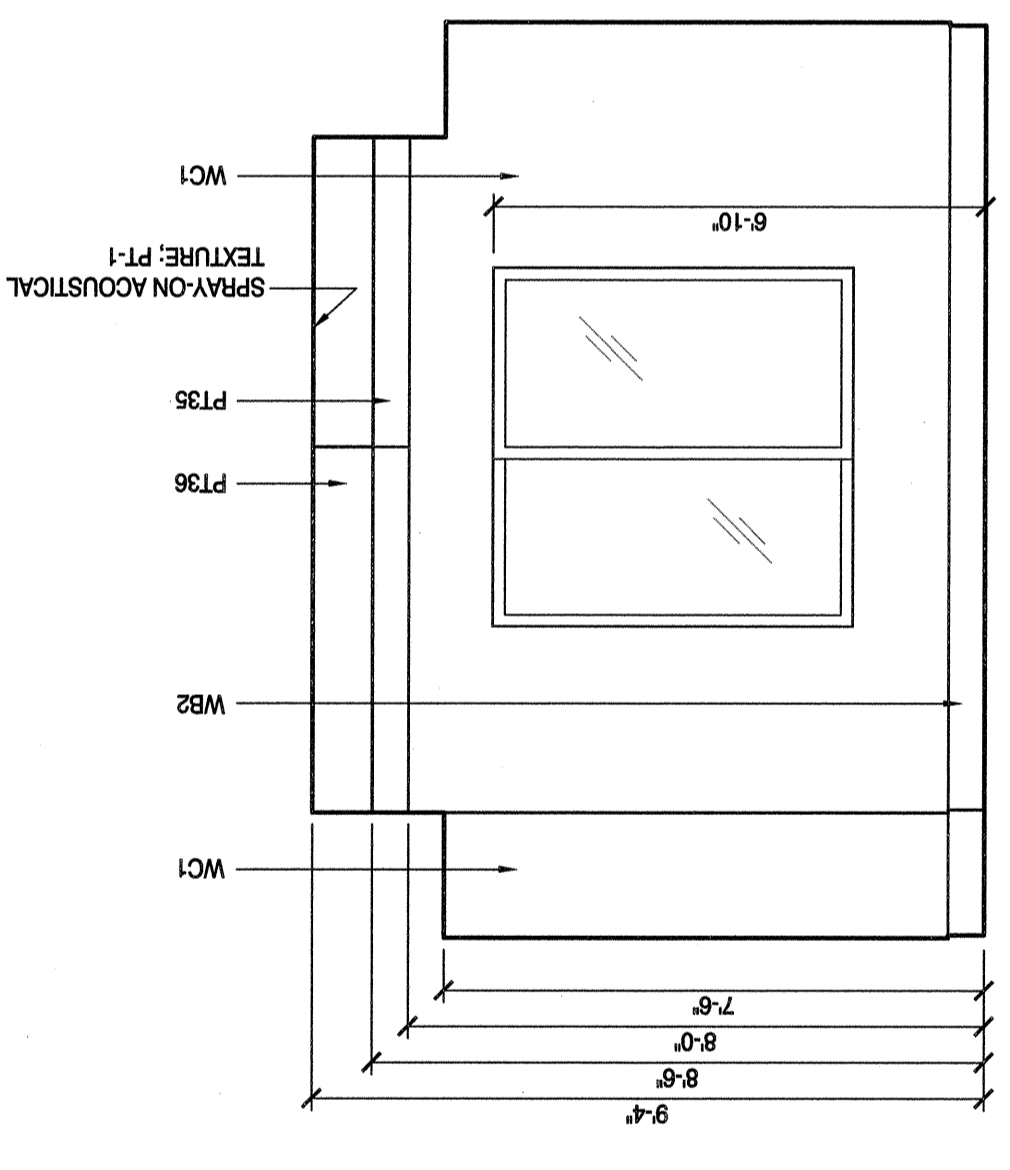
**M** ADA FULL SUITE INTERIOR ELEVATION  
 SCALE: 3/8" = 1'-0"



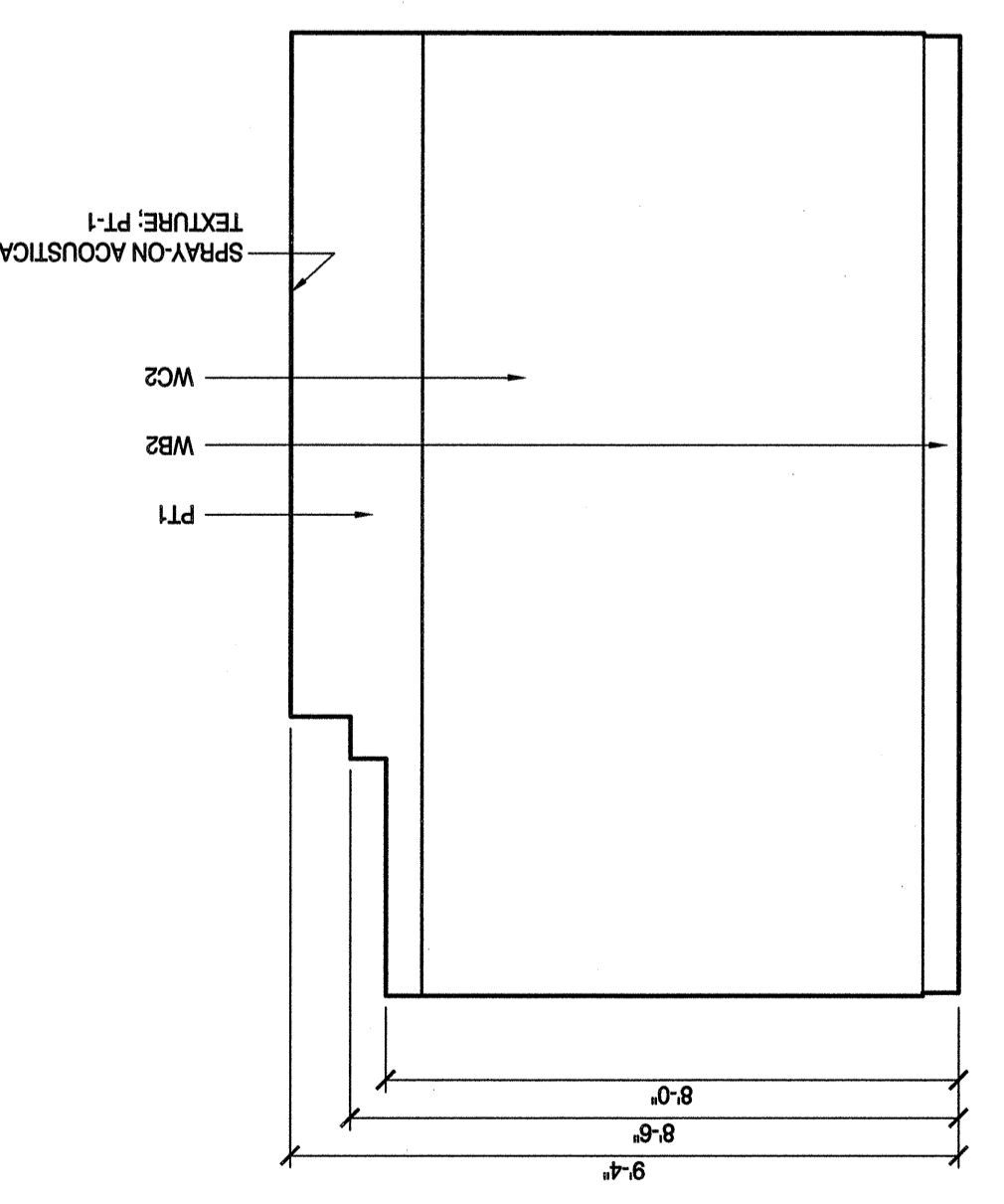
**E** ADA FULL SUITE INTERIOR ELEVATION  
 SCALE: 3/8" = 1'-0"



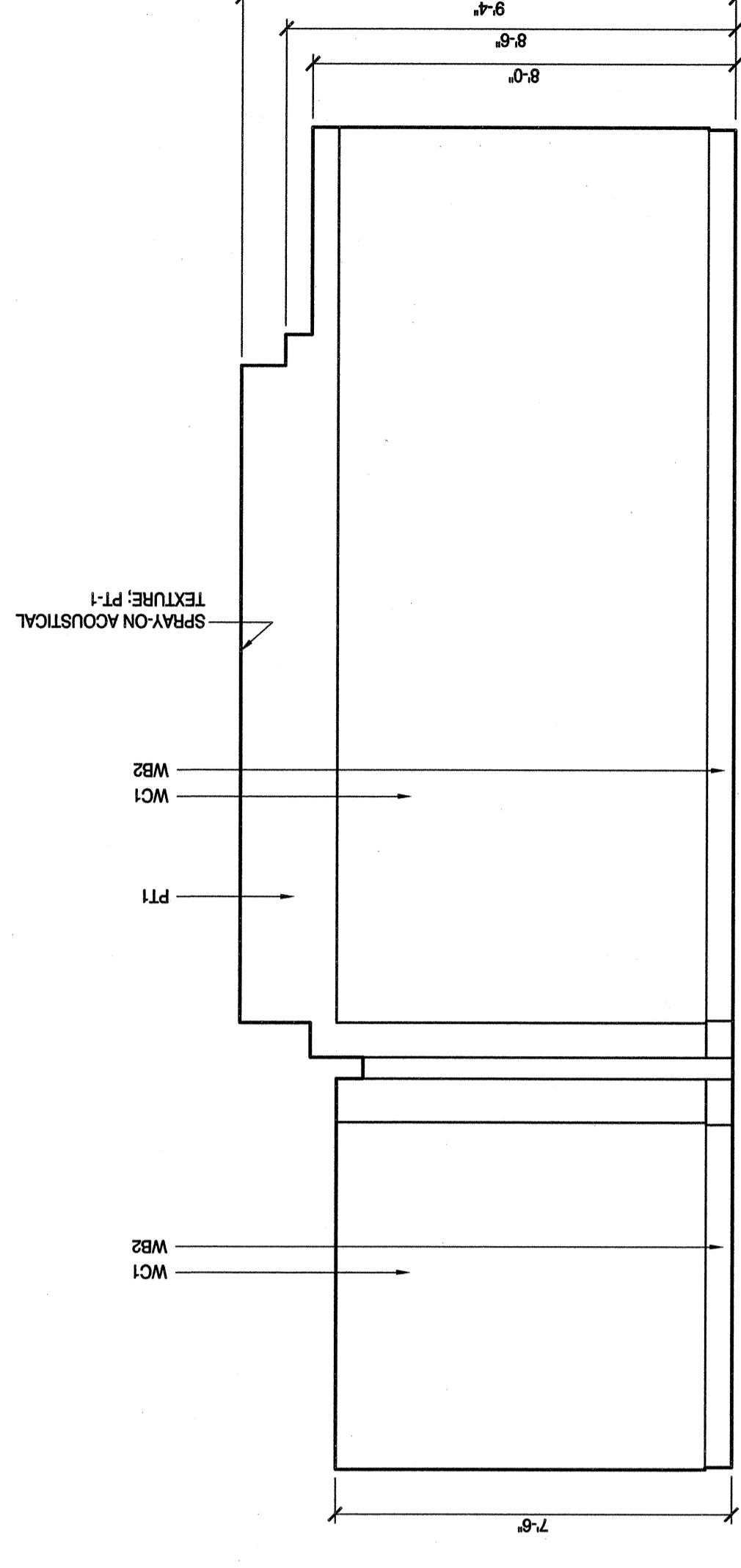
**F** ADA FULL SUITE INTERIOR ELEVATION  
 SCALE: 3/8" = 1'-0"



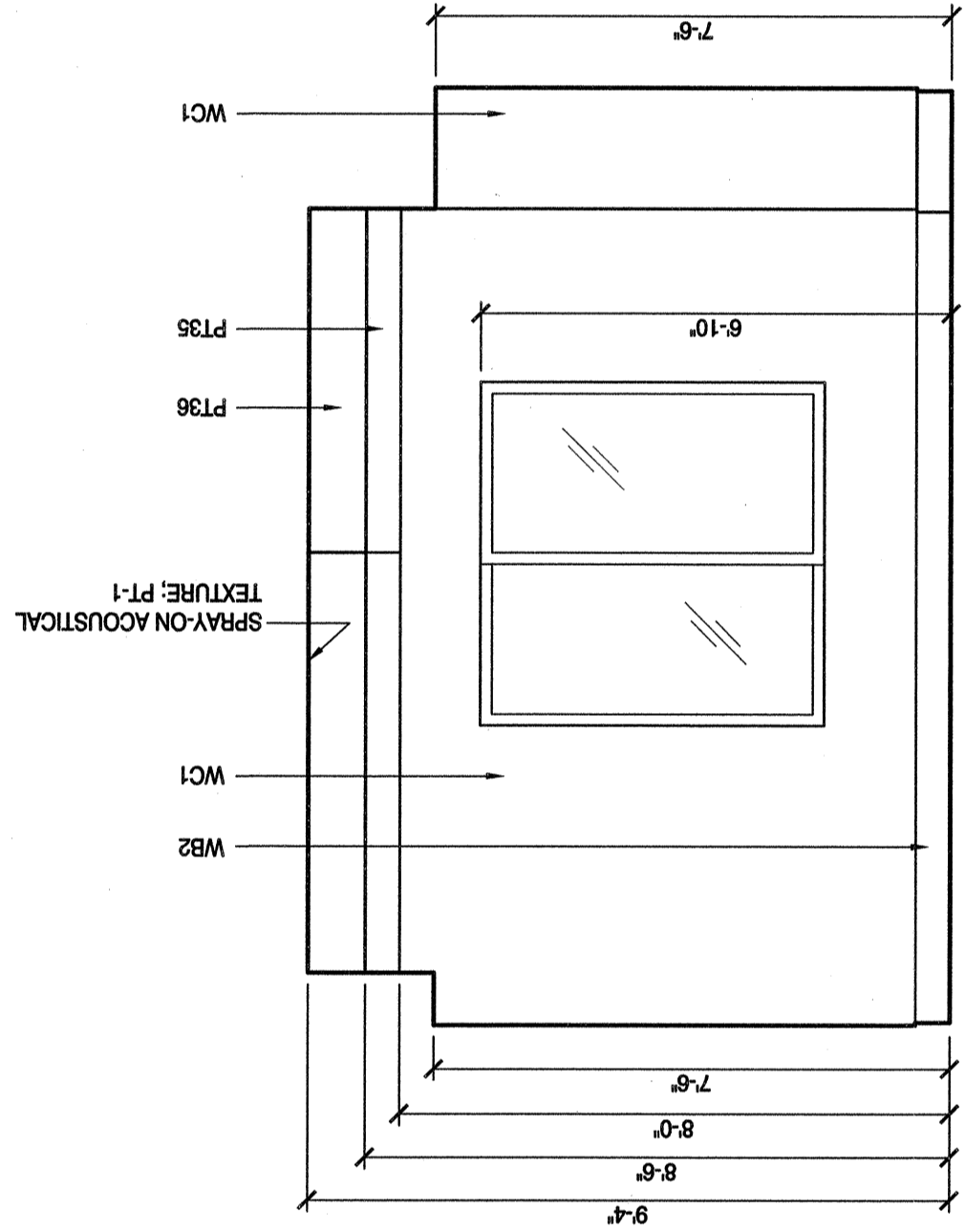
**G** ADA FULL SUITE INTERIOR ELEVATION  
 SCALE: 3/8" = 1'-0"



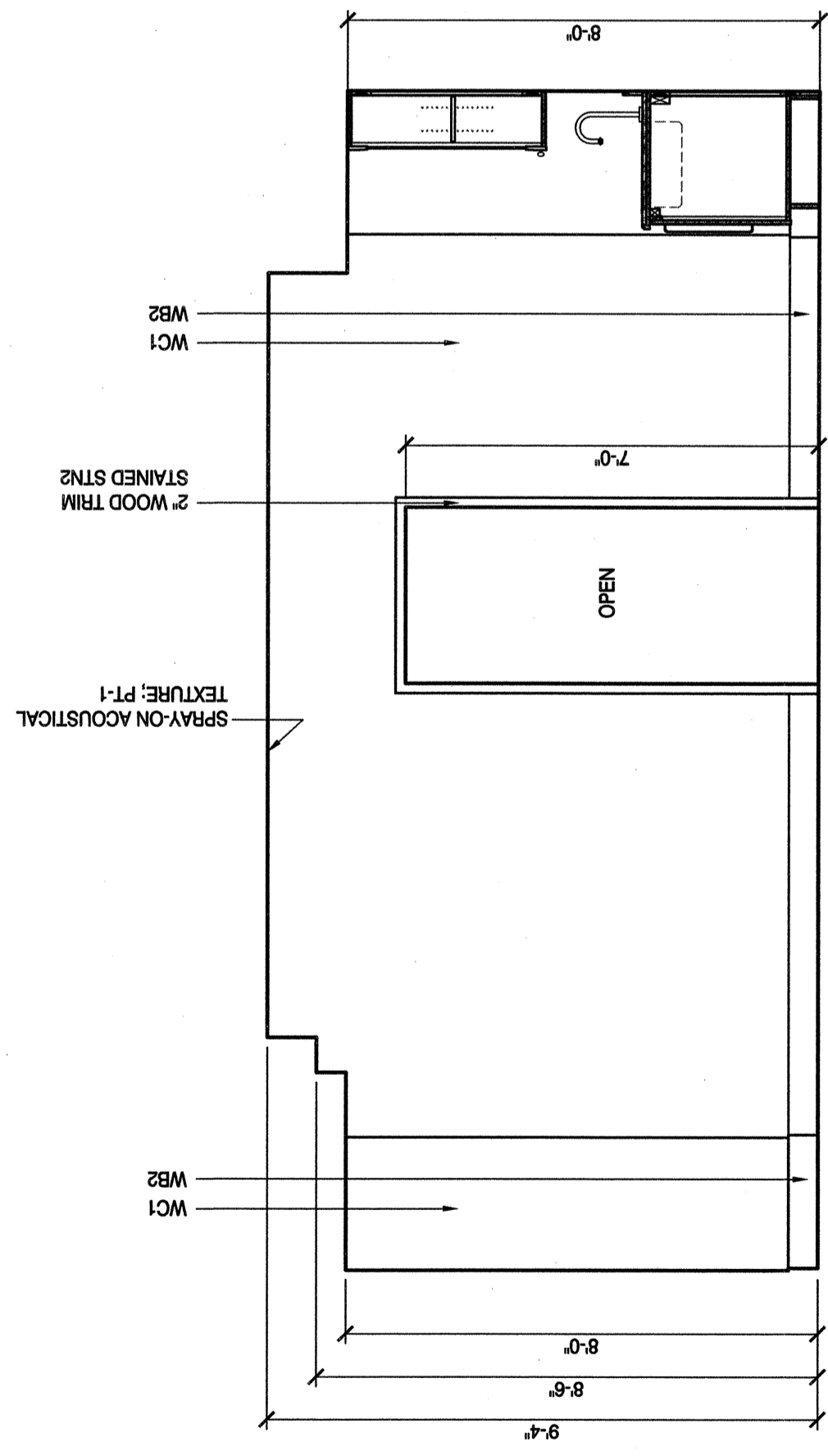
**H** ADA FULL SUITE INTERIOR ELEVATION  
 SCALE: 3/8" = 1'-0"



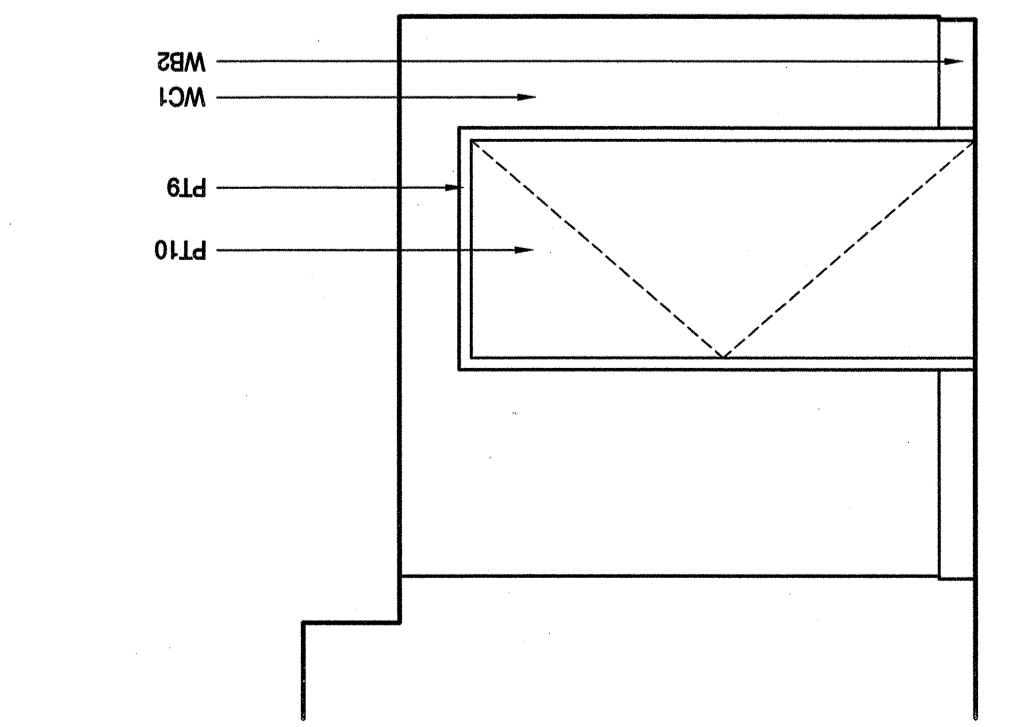
**A** ADA FULL SUITE INTERIOR ELEVATION  
 SCALE: 3/8" = 1'-0"



**B** ADA FULL SUITE INTERIOR ELEVATION  
 SCALE: 3/8" = 1'-0"



**C** ADA FULL SUITE INTERIOR ELEVATION  
 SCALE: 3/8" = 1'-0"



**D** ADA FULL SUITE INTERIOR ELEVATION  
 SCALE: 3/8" = 1'-0"

**D** ADA FULL SUITE INTERIOR ELEVATION  
 SCALE: 3/8" = 1'-0"