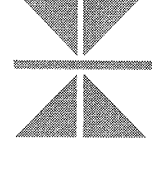




2007  
**CHEROKEE CASINO  
 EXPANSION**  
 Cantonese, Oklahoma

ARCHITECT:



**Thalden & Boyd Architects**  
*A Native Cherokee Firm*

18 East Oak Street, Suite 200  
 P.O. Box 18418  
 (918) 977-7445  
 St. Louis, MO    Las Vegas, NV

**THALDEN & BOYD ARCHITECTS, LLC**

COPYRIGHT 2007

THESE DRAWINGS AND DOCUMENTS ARE THE PROPERTY OF THALDEN & BOYD ARCHITECTS, LLC. THEY MAY NOT BE REPRODUCED OR TRANSMITTED IN ANY FORM OR BY ANY MEANS, ELECTRONIC OR MECHANICAL, WITHOUT THE WRITTEN PERMISSION OF THALDEN & BOYD ARCHITECTS, LLC.

CONSULTANTS:

CIVIL ENGINEERS:

4124 E. 6<sup>TH</sup> PLACE  
 TULSA, OKLAHOMA 74116  
 PHONE: (918) 584-5076  
 FAX: (918) 584-5078

MECHANICAL, ELECTRICAL & PLUMBING ENGINEERING:

PHINNEAN ERIKSON ASSOCIATES  
 2825 W. 11<sup>TH</sup> AVENUE, SUITE 200  
 HENDERSON, NV 89002  
 PHONE: (702) 269-8600  
 FAX: (702) 269-8601  
 www.phinnean.com

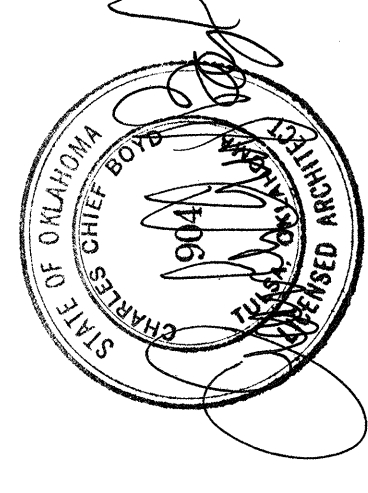
STRUCTURAL ENGINEERING:

CONSULTING ENGINEERS, INC.  
 8800 JEFFERSON, N.E.  
 ALBUQUERQUE, NM 87119  
 PHONE: (505) 344-4090  
 FAX: (505) 343-9759

FOODSERVICE CONSULTANT:

BLASSEL & ASSOCIATES  
 1000 W. 11<sup>TH</sup> AVENUE, SUITE 200  
 TULSA, OKLAHOMA 74116  
 PHONE: (918) 749-1853  
 FAX: (918) 749-5824

SEAL:



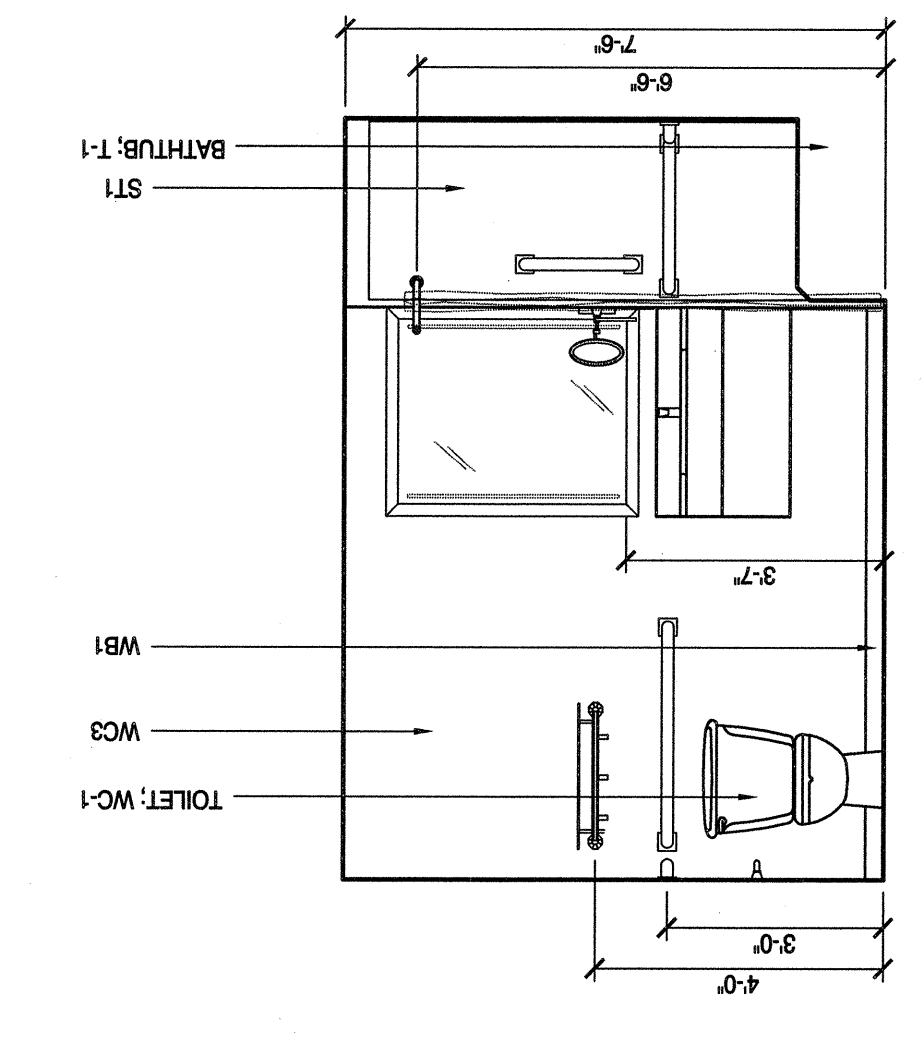
REVISIONS	DATE	BY	DATE
A	04/10/2008	HOTEL INT'NS PACKAGE	
B	05/09/2008	CONSTRUCTION DOCUMENTS	
C			
D			
E			
F			
G			
H			
I			
J			
K			
L			
M			
N			
O			
P			
Q			
R			
S			
T			
U			
V			
W			
X			
Y			
Z			

TITLE:  
**ADA QUEEN MINI SUITE  
 INTERIOR WALL  
 ELEVATIONS**

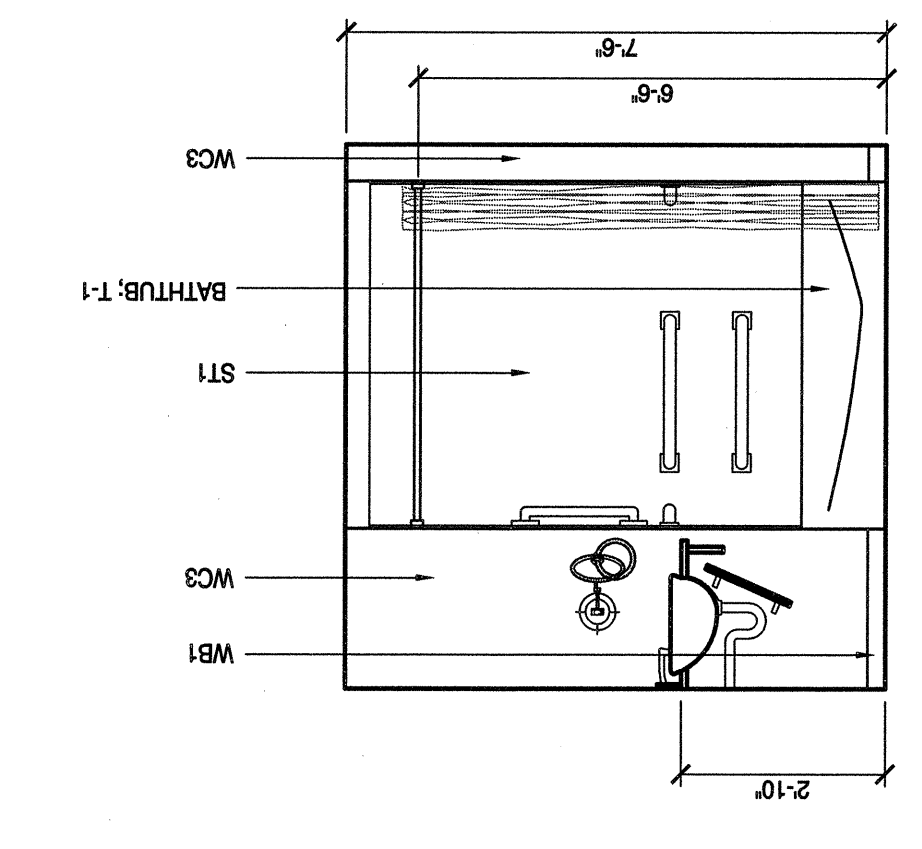
PROJECT NO. 06412  
 DATE: 05/19/2008  
 SCALE: AS SHOWN

CONSTRUCTION DOCUMENTS  
 DRAWING NO.

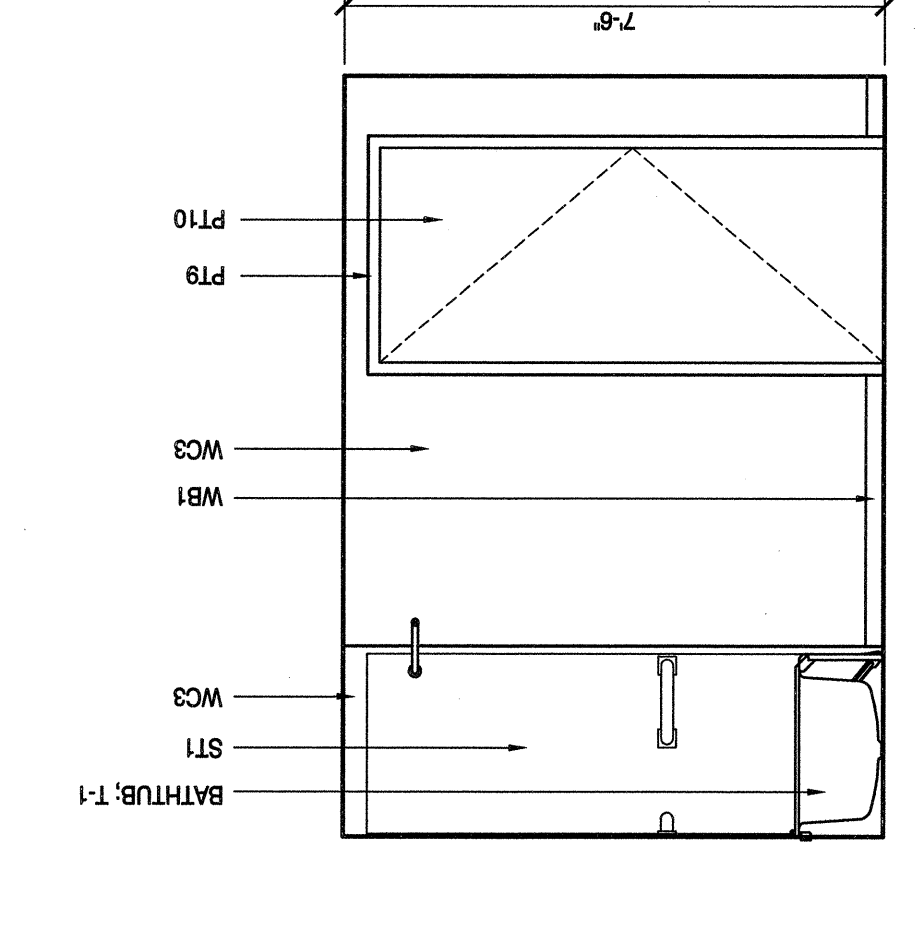
**A638**



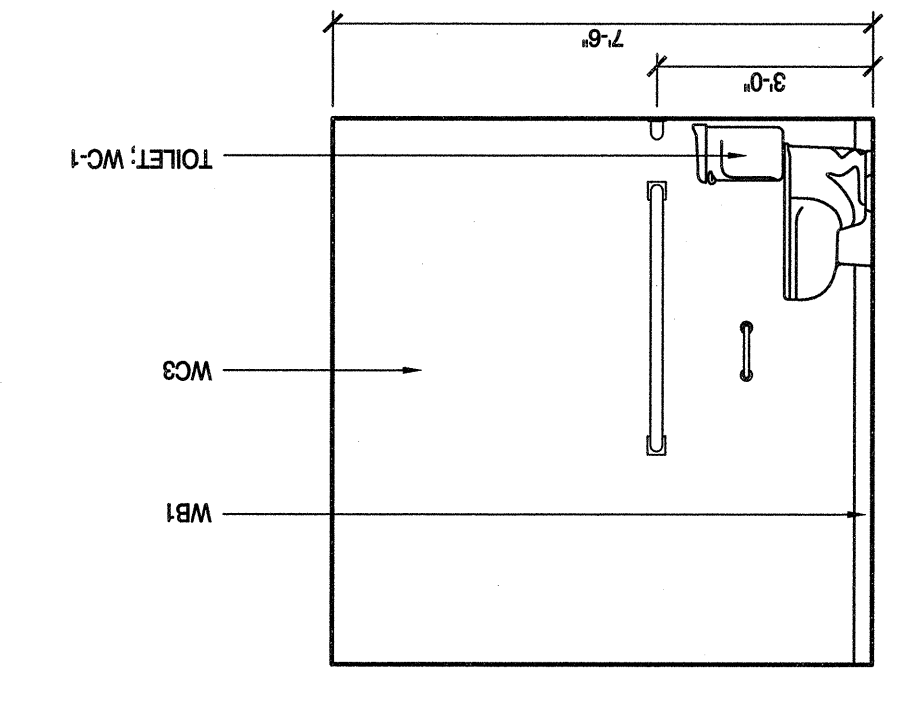
**ADA QUEEN MINI SUITE  
 INTERIOR ELEVATION**  
 SCALE: 3/8" = 1'-0"



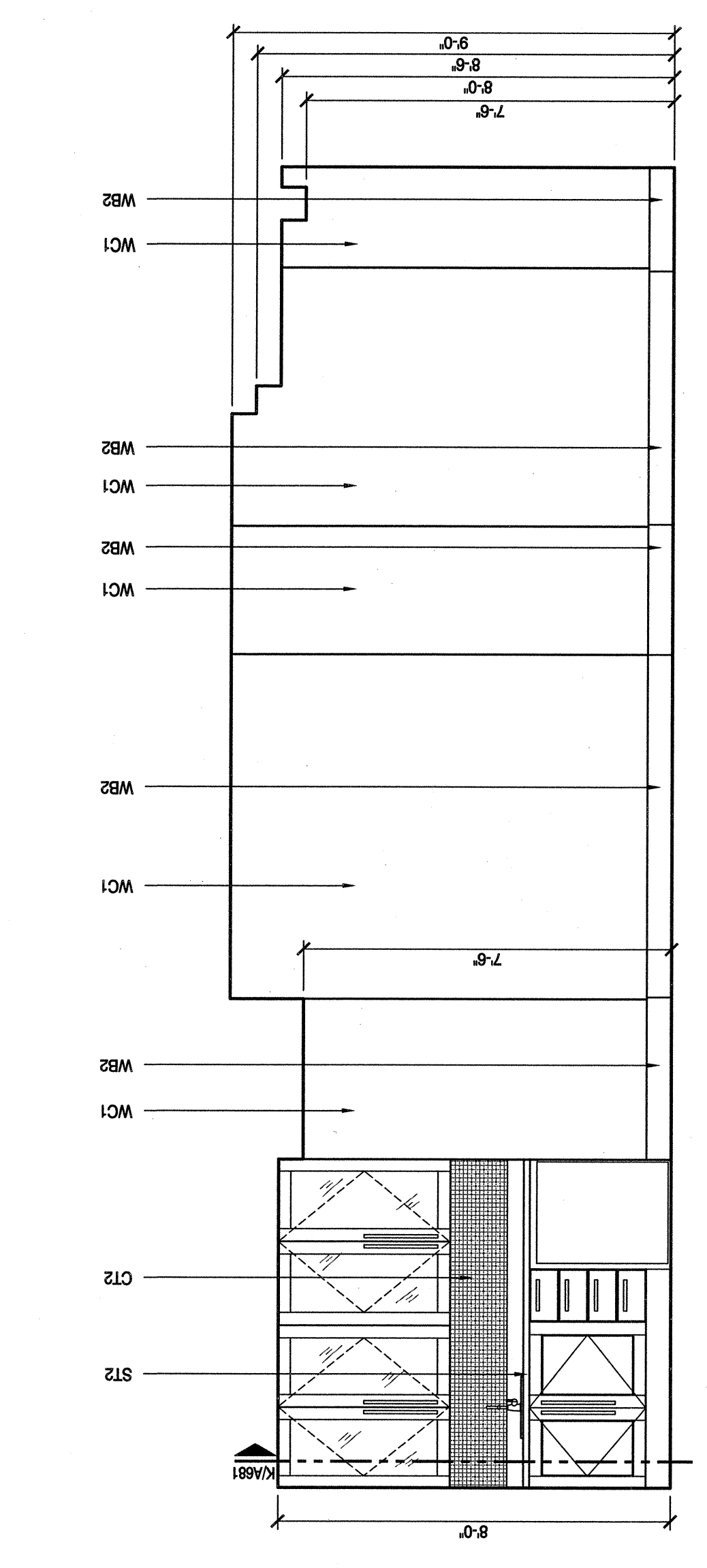
**ADA QUEEN MINI SUITE  
 INTERIOR ELEVATION**  
 SCALE: 3/8" = 1'-0"



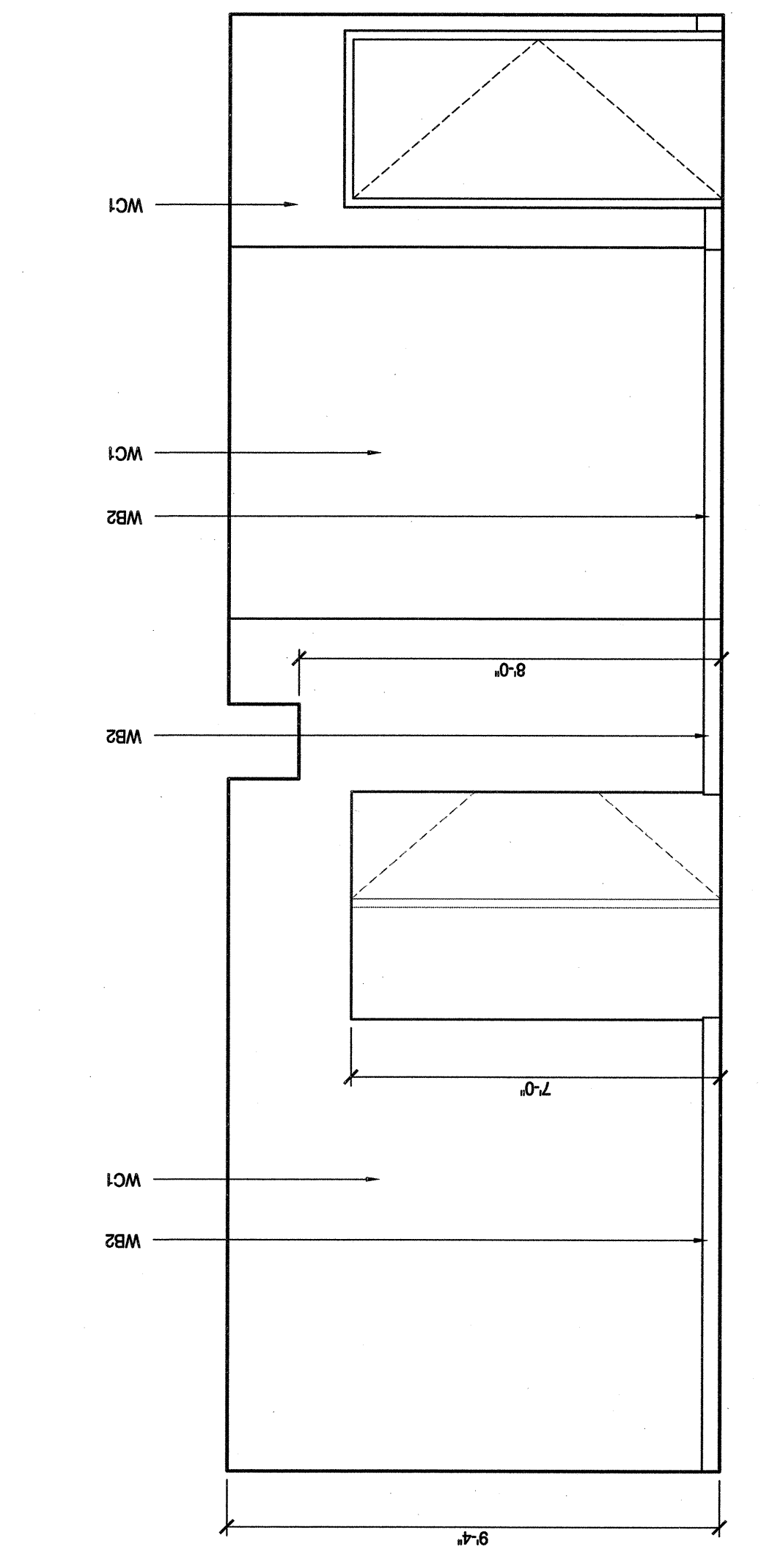
**ADA QUEEN MINI SUITE  
 INTERIOR ELEVATION**  
 SCALE: 3/8" = 1'-0"



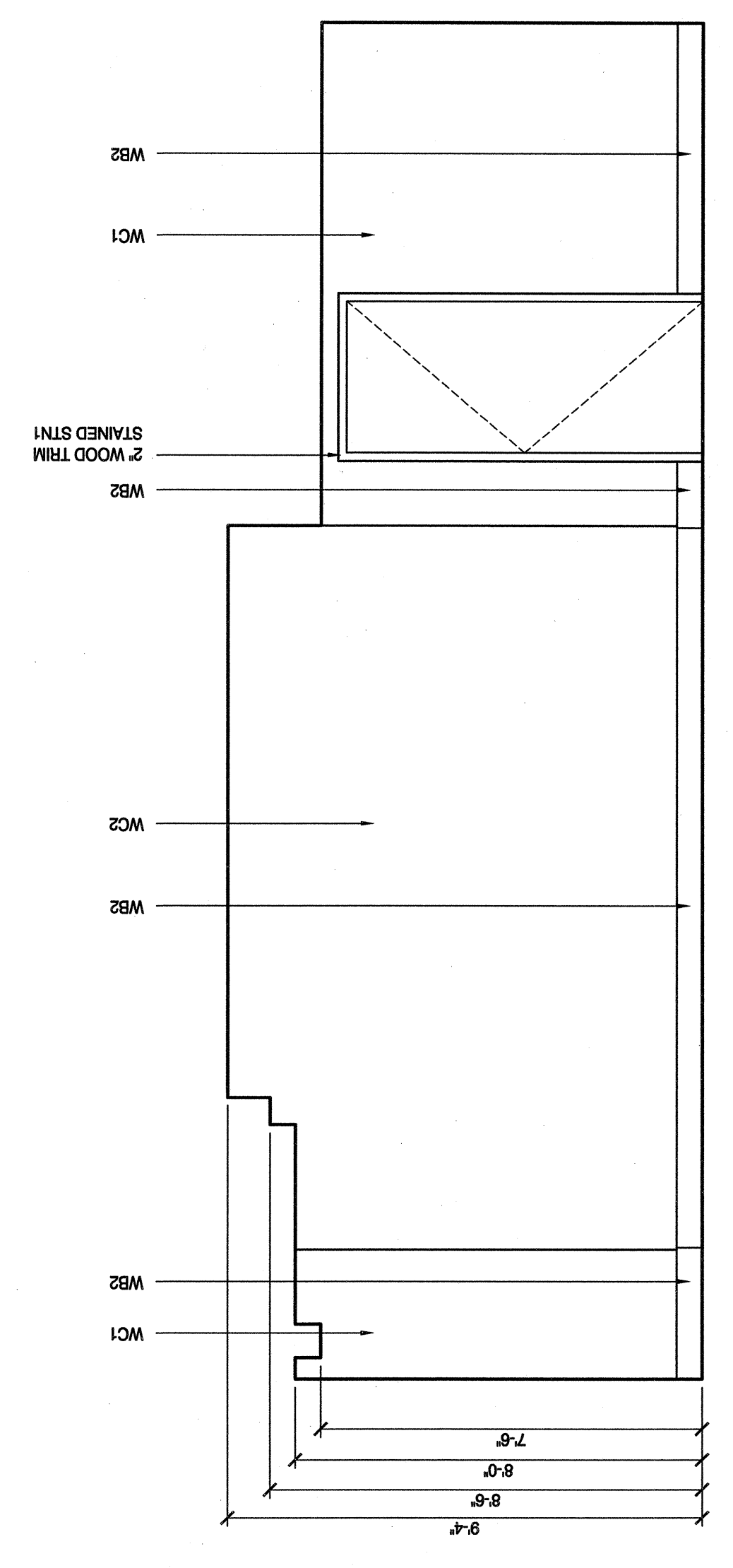
**ADA QUEEN MINI SUITE  
 INTERIOR ELEVATION**  
 SCALE: 3/8" = 1'-0"



**ADA QUEEN MINI SUITE INTERIOR ELEVATION**  
 SCALE: 3/8" = 1'-0"



**ADA QUEEN MINI SUITE INTERIOR ELEVATION**  
 SCALE: 3/8" = 1'-0"



**ADA QUEEN MINI SUITE INTERIOR ELEVATION**  
 SCALE: 3/8" = 1'-0"