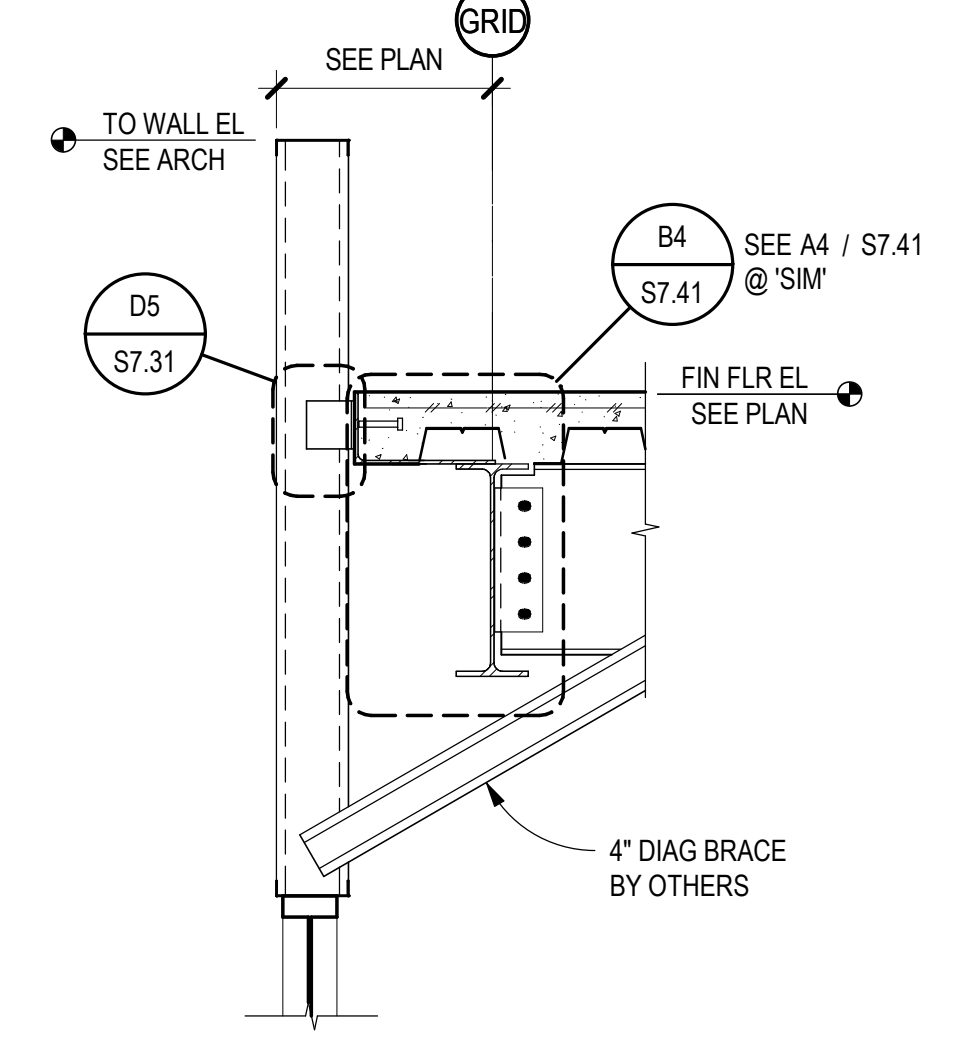
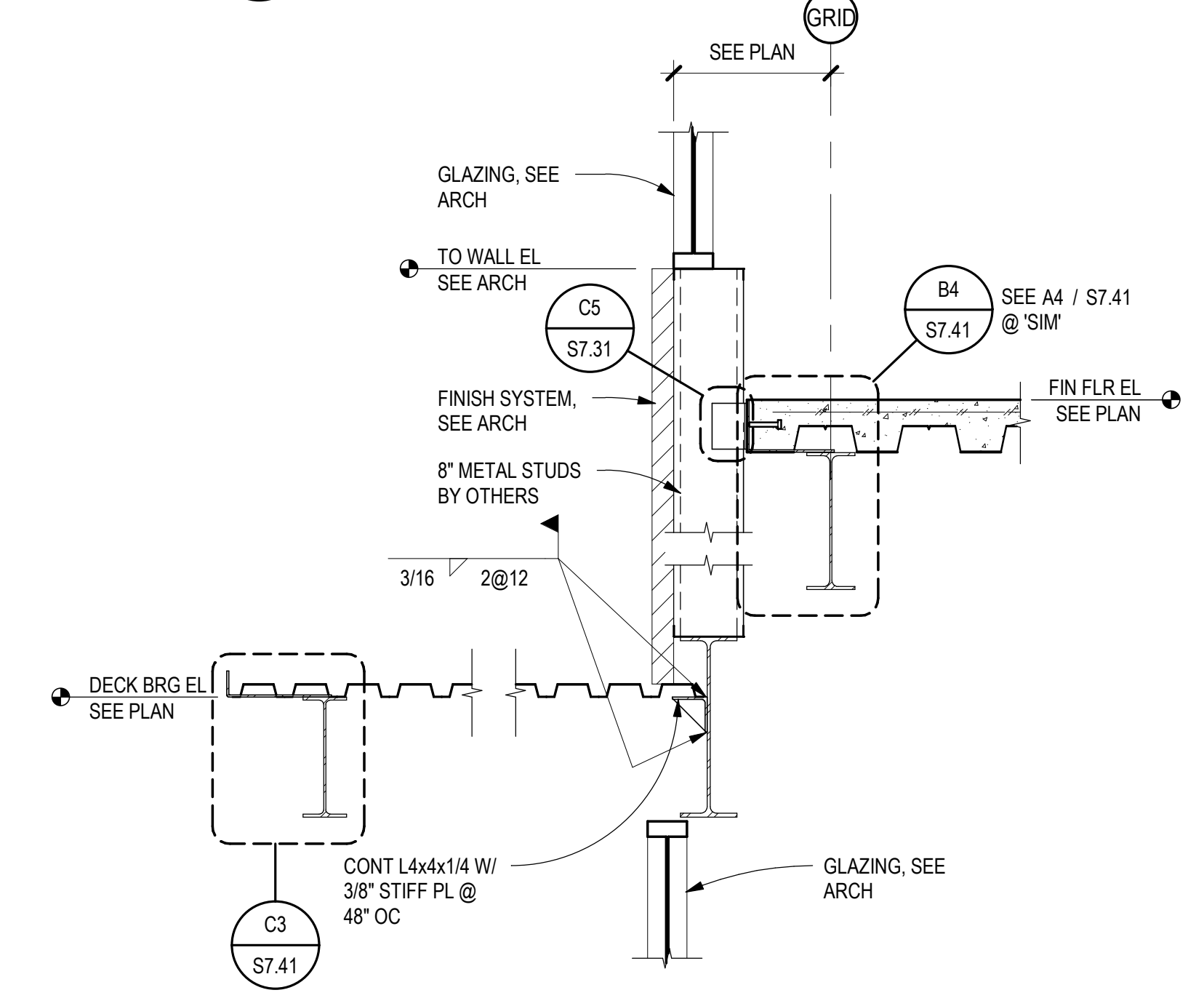


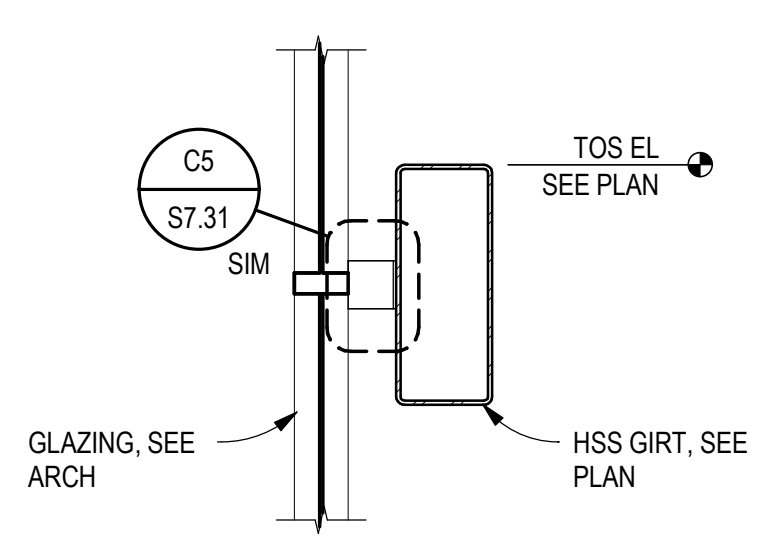
D5 FRAMING SECTION AT OUTRIGGERS
SCALE: 3/4" = 1'-0"



C5 ROOF FRAMING SECTION
SCALE: 3/4" = 1'-0"

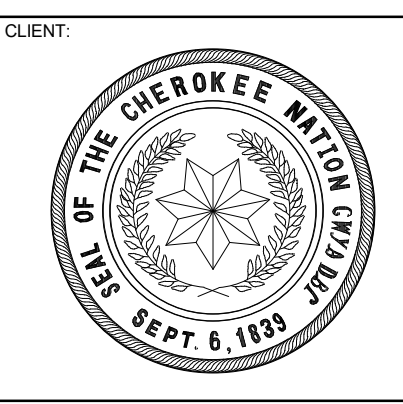


B5 FLOOR FRAMING SECTION
SCALE: 3/4" = 1'-0"



A5 FLOOR FRAMING SECTION
SCALE: 3/4" = 1'-0"

NOTE:
LATERAL DEFLECTION CONNECTION ONLY. CONNECTION FROM GLAZING TO STRUCTURE BY OTHERS



COLLEGE OF
Osteopathic Medicine
AT THE CHEROKEE NATION
TAHLEQUAH, OKLAHOMA

KEY PLAN:

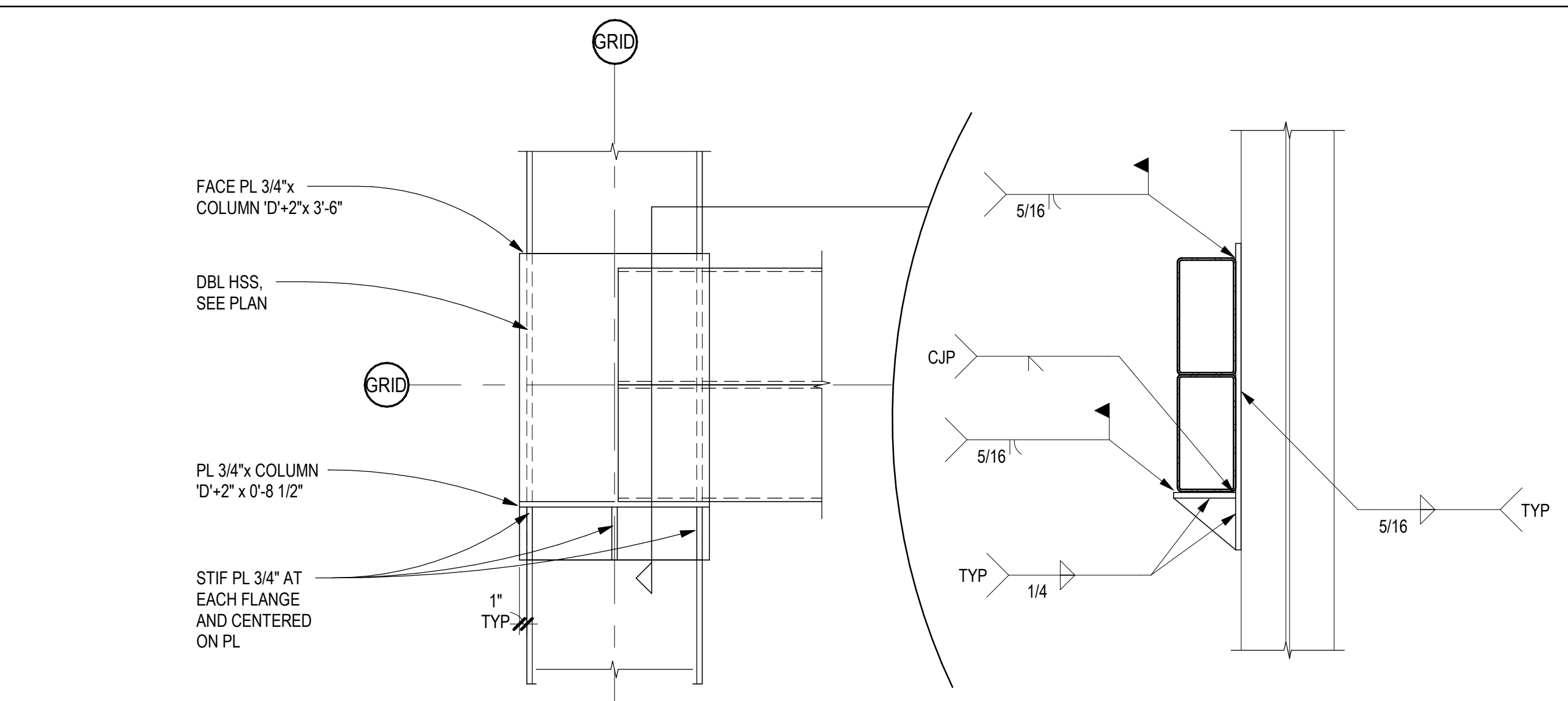
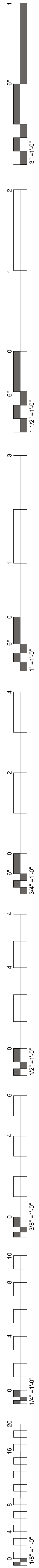
PROJECT PHASE:
BID PACKAGE 04

#	DATE	REVISIONS DESCRIPTION

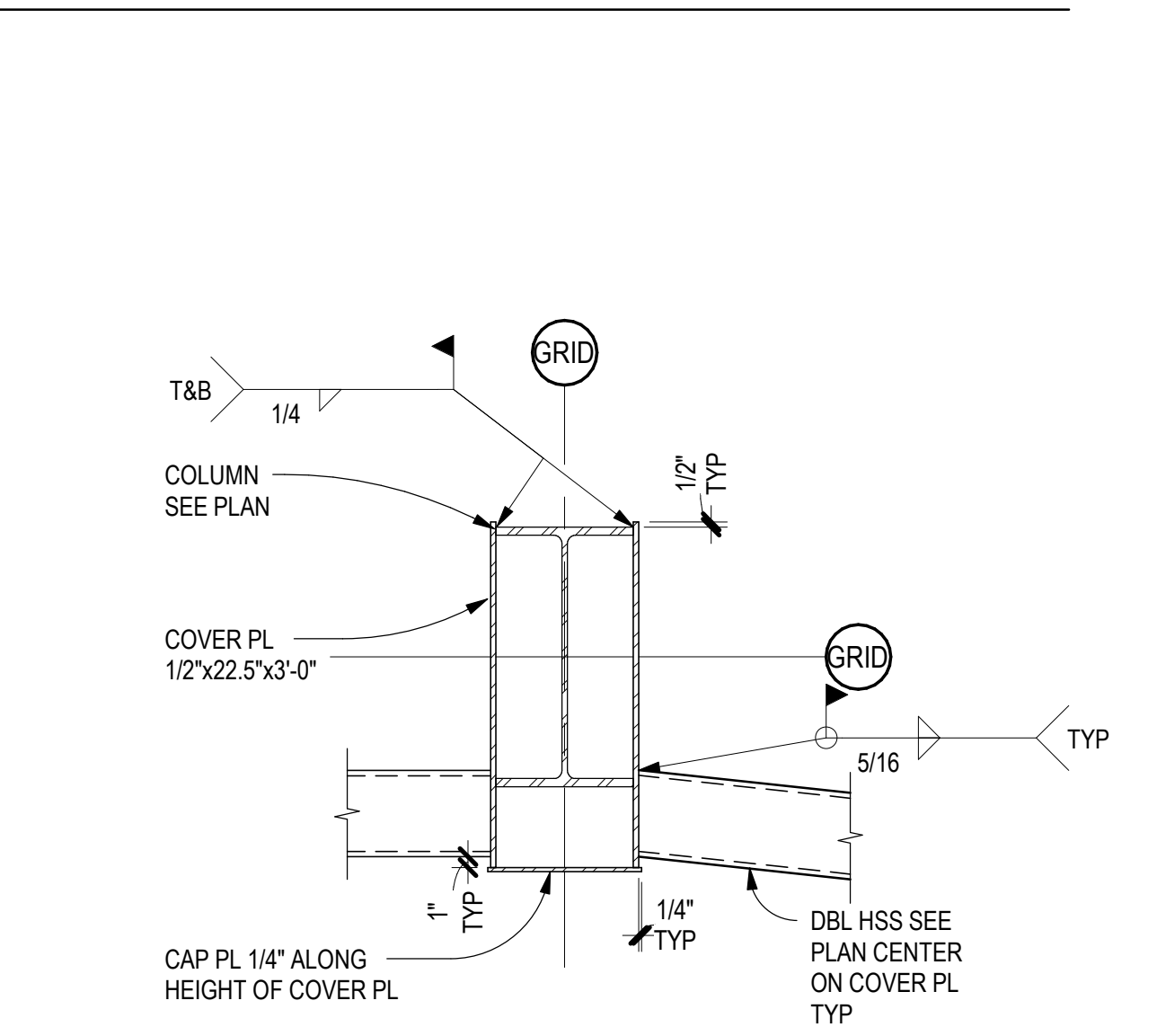
DATE: 05-10-19 JOB NUMBER: 17-13

SHEET NUMBER:
S3.23

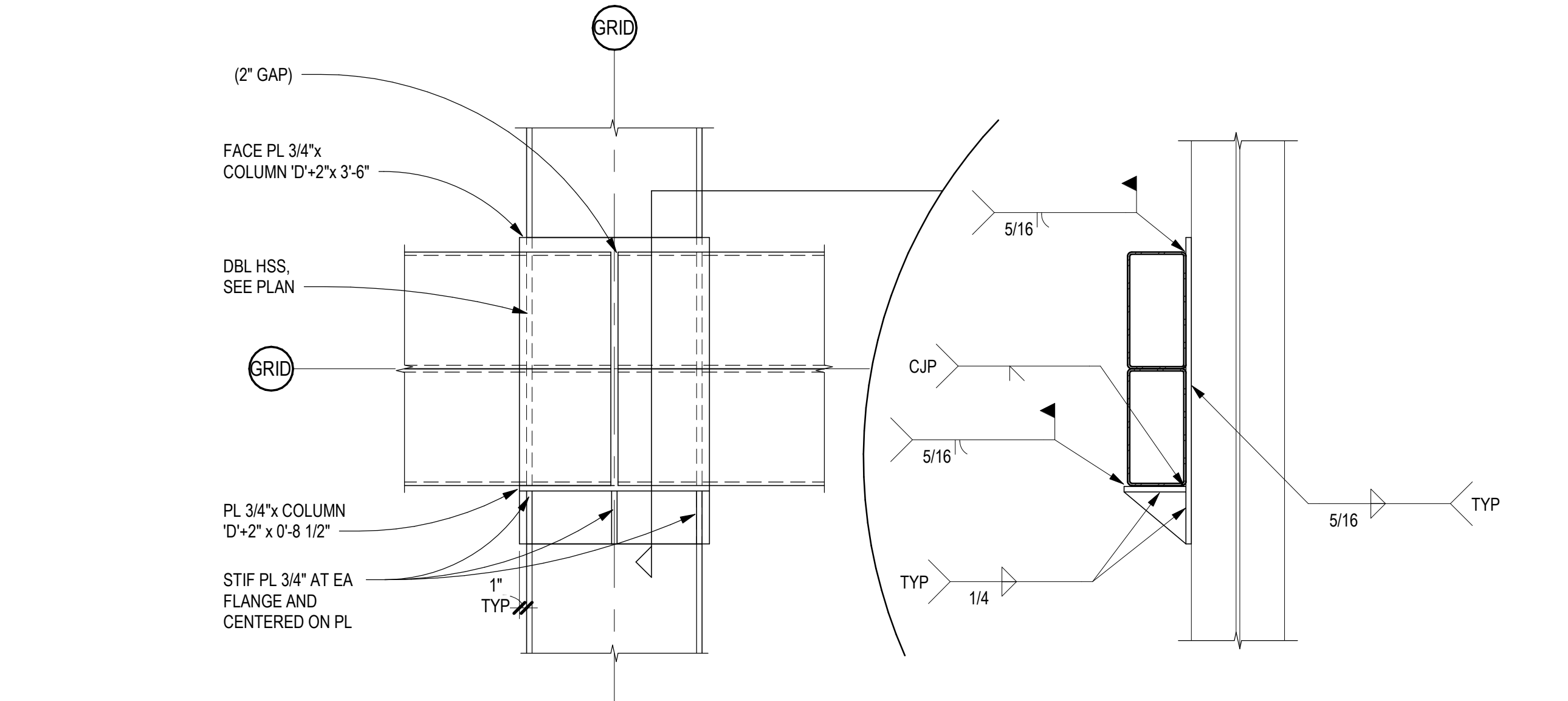
FRAMING SECTIONS



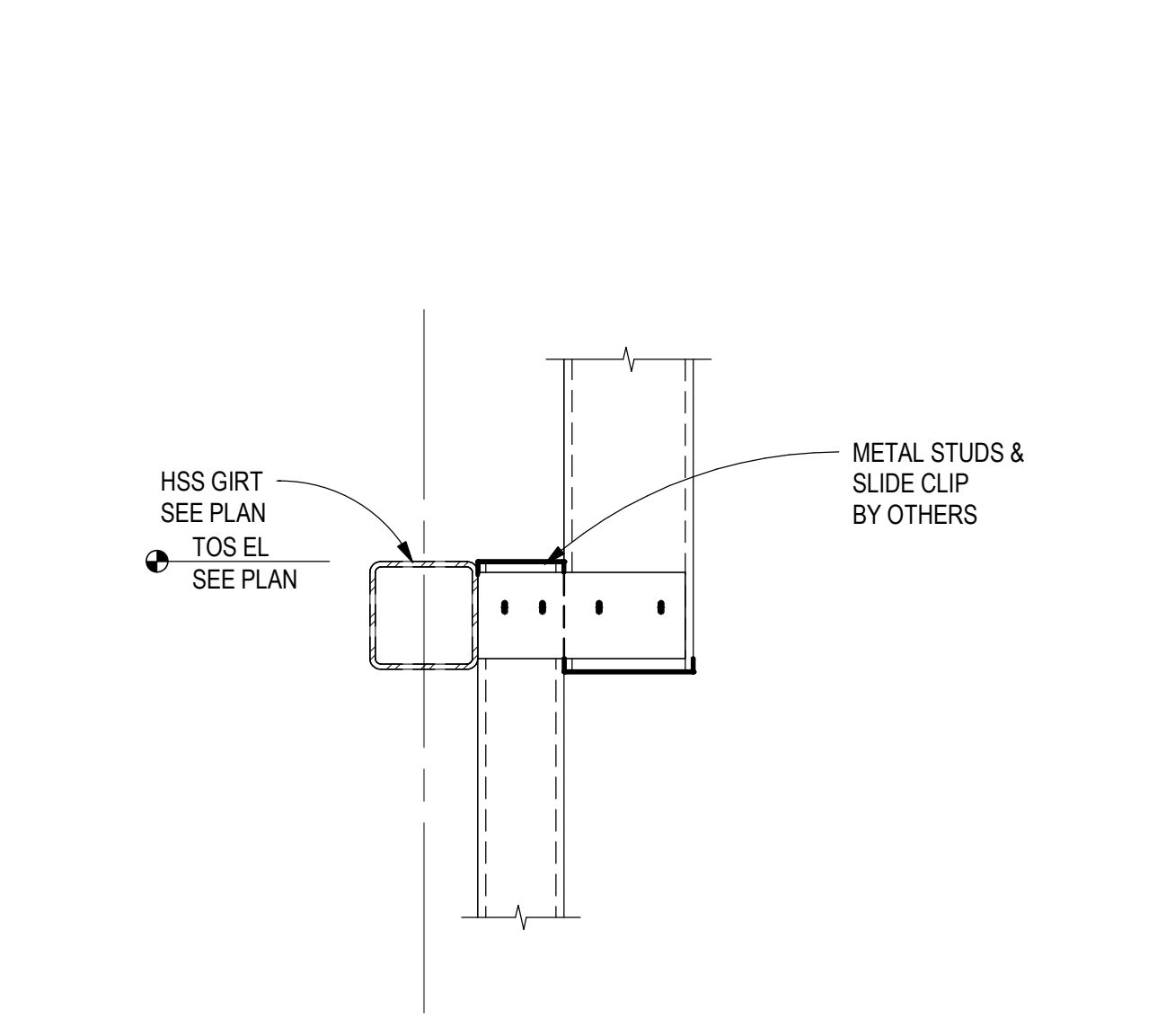
D3 WIND GIRT DETAIL
SCALE: 3/4" = 1'-0"



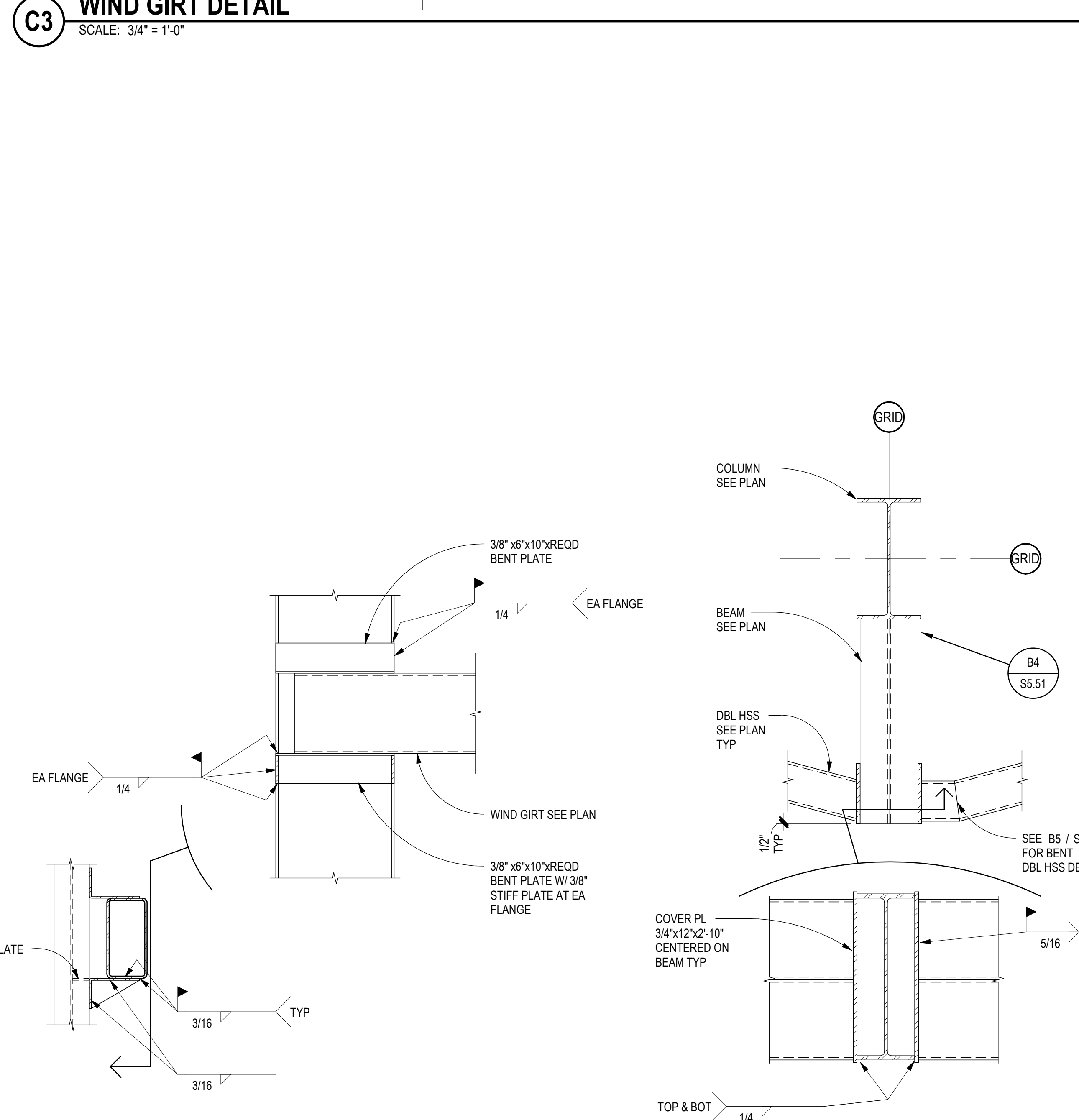
D5 GIRT AT COLUMN
SCALE: 3/4" = 1'-0"



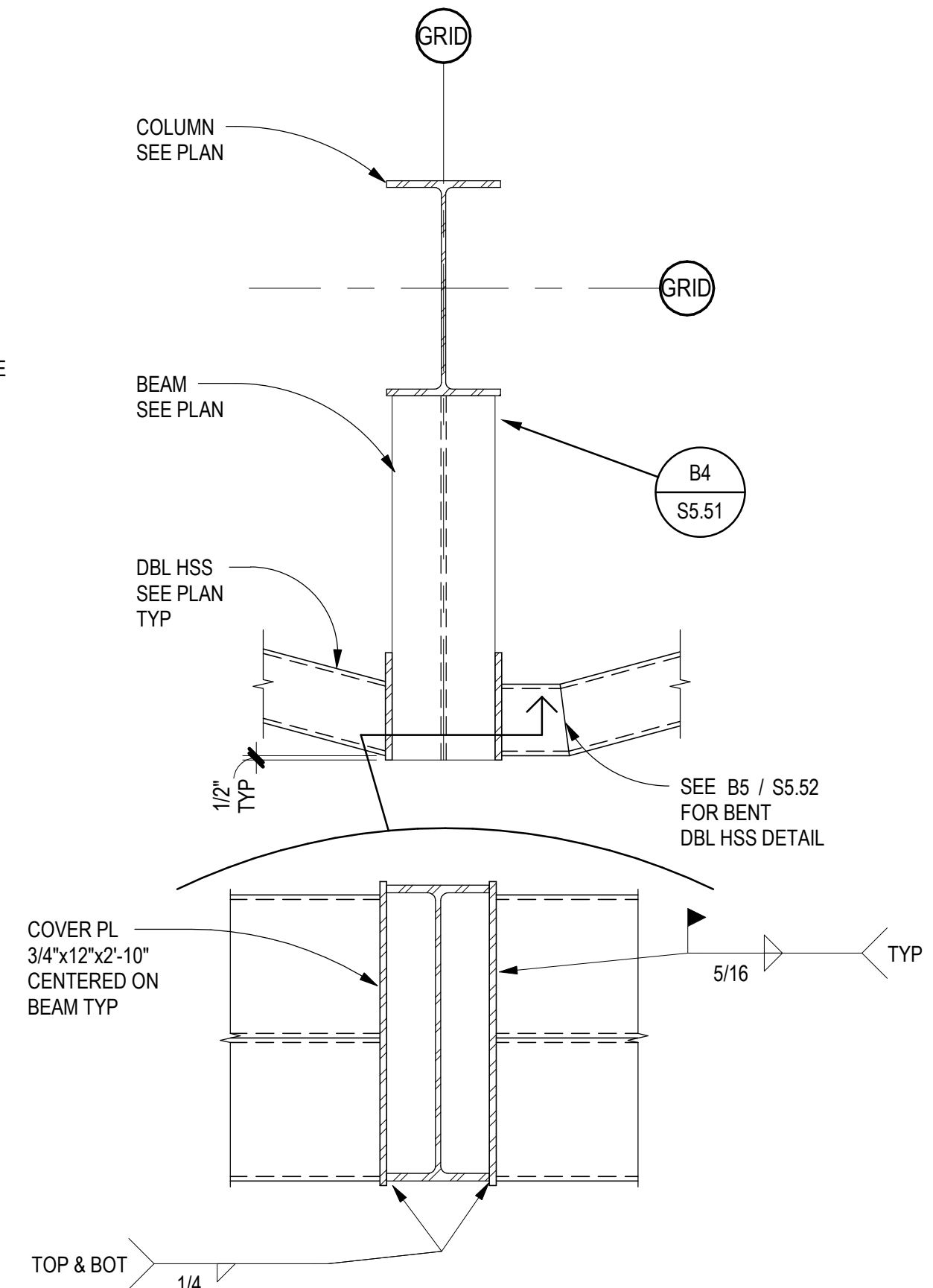
C3 WIND GIRT DETAIL
SCALE: 3/4" = 1'-0"



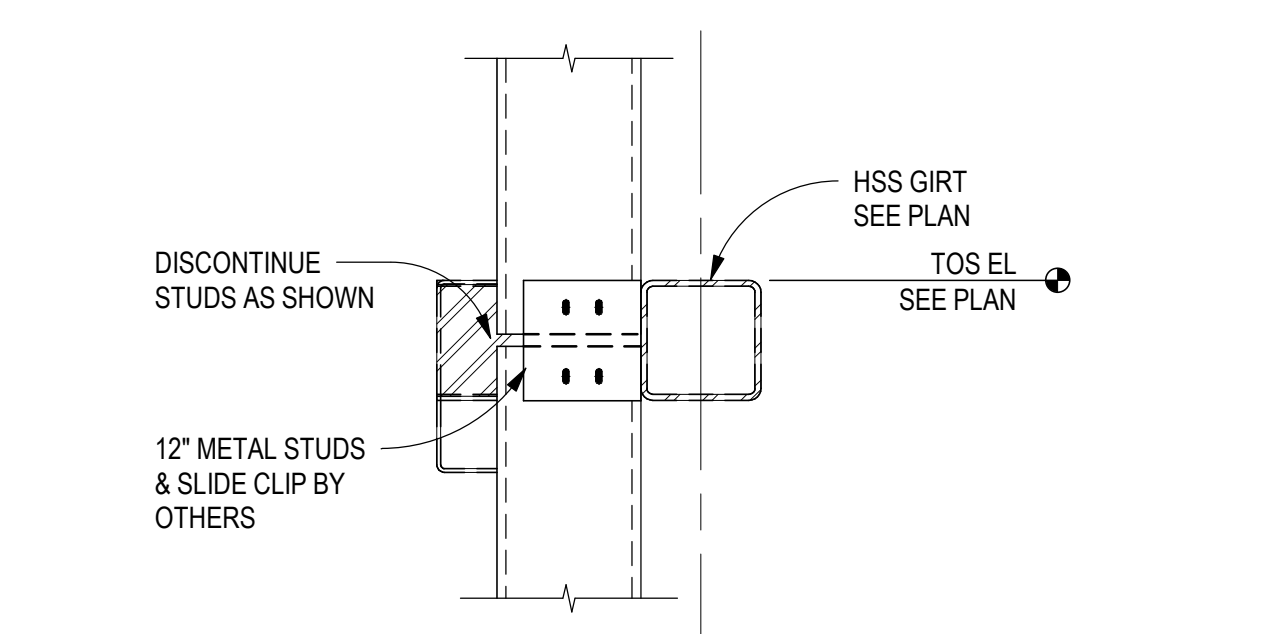
C5 SLIDE CLIP DETAIL 1
SCALE: 3/4" = 1'-0"



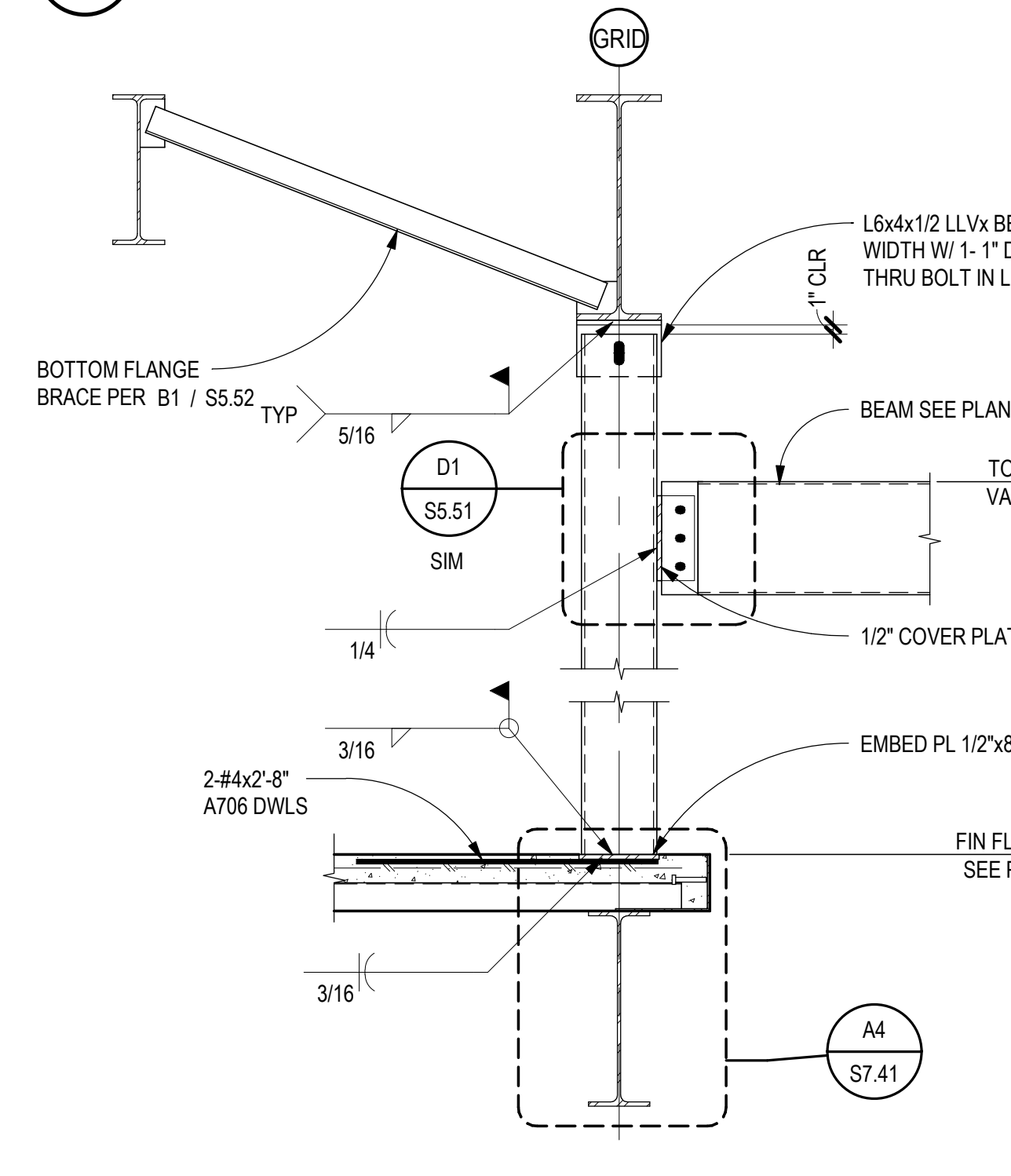
A3 HSS BEAM TO COLUMN FLANGE
SCALE: 3/4" = 1'-0"



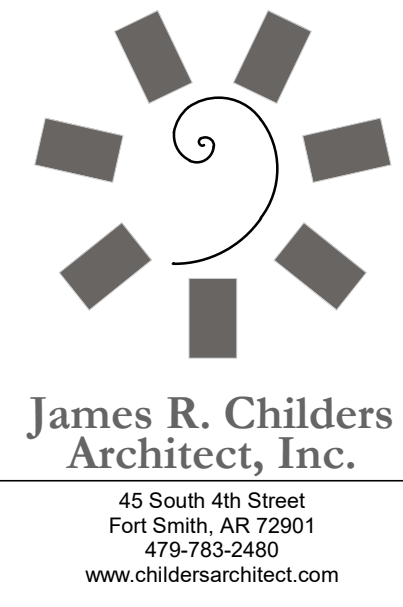
A4 GIRT AT COLUMN
SCALE: 3/4" = 1'-0"



B5 SLIDE CLIP DETAIL
SCALE: 3/4" = 1'-0"



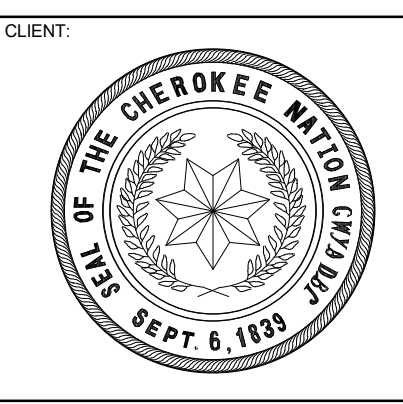
A5 FLOOR POST DETAIL
SCALE: 3/4" = 1'-0"



James R. Childers Architect, Inc.
45 South 4th Street
Fort Smith, AR 72901
479-783-2450
www.childersarchitect.com



Chavez-Grievies Consulting Engineers, Inc.
4700 Lincoln Road, Suite 102, Ardmore, OK 73401
505-344-4000 505-343-8759 (fax)



COLLEGE OF
Osteopathic Medicine
AT THE CHEROKEE NATION
TAHLEQUAH, OKLAHOMA



KEY PLAN:

--	--

PROJECT PHASE:
BID PACKAGE 04

#	DATE	REVISIONS	DESCRIPTION

DATE: 05-10-19 JOB NUMBER: 17-13

SHEET NUMBER:

S5.54

STEEL DETAILS