

Midmark Prepared for:

Cherokee Nation Wilma P. Mankiller Clinic
Stilwell, Oklahoma

Presented by:

Interior Logistics
1316 E. 35th Pl.
Tulsa, OK 74105
(918) 382-9120



Interior Logistics



Midmark Drawings

Project Name: Stilwell Cherokee Clinic

Project #: MS181039

Phase: 01

Rev: K

Date: 5/13/2020

Project Rep: Spencer Davenport

Sdavenport@midmark.com

Designer: Jenni Brunswick Ext: 128291

jbrunswick@midmark.com

Phone: 1-800-MIDMARK

Fax: 1-800-365-2499

These drawings are the sole property of Midmark Corporation and are to be used for illustration only. Actual product appearance may vary.



Midmark Quotation

Terms & Conditions

Project Information:

Project Name: Stilwell Cherokee Clinic
Project #: MS181039 **Phase:** 01 **Rev:** K
Agreement: Medical Indirect GSA Pricing

Midmark Rep Information:

Project Rep: Spencer Davenport
Email: Sdavenport@midmark.com

Designer Information:

Designer: Jenni Brunswick Ext: 128291
Email: jbrunswick@midmark.com
Phone: 1-800-MIDMARK **Fax:** 1-800-365-2499

Midmark Order Policy

- Order will not be sent to scheduling until a purchase order, signed drawing and field measurements (if applicable) are received.
- Installation is not included unless noted otherwise.
- Taxes and plumbing hook-ups are not included in the pricing.

Order Changes

- All changes should happen before the receipt of the order.
- Order changes made after receipt of an order may incur a change fee and a shipping date change. This fee will cover materials, labor, and handling costs.
- All changes must be submitted in writing. Upon review and approval of changes, the order will be moved to the next available ship date.

Delayed/Rescheduled Ship Dates

- Request to reschedule orders that have not been built will be moved to the next available ship date.
- Request to reschedule or delay shipment of orders that have been built will incur storage and handling fees until shipped.

Order Cancellation

- Cancellation 48 hours from time of order placement is subject to penalty. An assessment will be made at time of cancellation to determine the amount of penalty including material, labor and handling costs.
- Cancellations must be received in writing. Non-standard color and custom configuration orders may not be cancelled without penalty.

Return of Merchandise

- Custom Cabinetry is built-to-order and is non-returnable.

Shipping and Receiving Policy

- Cabinetry Packaging: Boxed. Cabinetry accessories and equipment will be boxed.
- Orders shipped via common LTL carrier or full truckload carrier.
- Please specify your preferred delivery date.
- Preferred delivery date is not guaranteed based on Midmark lead time and carrier's availability.
- Please specify if delivery site is NOT able to accept delivery on a full-size 53' truck and trailer.
- Report any damaged goods or short shipments to the freight carrier and contact Midmark Corporation immediately.
- Please specify if lift gate is required.
- Customer is responsible for freight unless discussed otherwise during quoting.
- Optional delivery services available for additional charges include: customer assisted inside delivery, guaranteed delivery and Premier Delivery Service. Please call for a quote for these additional services.

Lead Times

- Cabinetry lead time on standard items and color: 4-8 weeks**
- Equipment lead time: 1-2 weeks**

****Lead times are subject to change based on volume and quantities**

GSA

- Contract # V797P-4435B / Duns #: 005036025 / Cage Code: 90768 / Tax ID #: 34-4269370 / SAM Registered / GSA Advantage.
- Terms: 2% 30 days excluding credit card orders / Credit card accepted.
- F.O.B. Destination: normal loading dock within the contiguous USA / POE to AK, HI, PR and Intl.
- If a dealer or contractor is purchasing on behalf the government, Midmark requires written permission from the government facility confirming this agreement prior to placing the order.
- Send Orders to: Orders-Casework@midmark.com



Approvals

Project Name: Stilwell Cherokee Clinic

Project #: MS181039

Phase: 01 **Rev:** K

I acknowledge the following for all applicable pages:

Approved

Revised to Reflect

Colors & Finishes

[]

[]

Configurations, Sizes & Field Measurements

[]

[]

Terms, Conditions & Delivery Instructions

[]

[]

Signature _____

Date _____

Cabinetry

Panel Styles: Serenity

Handle Types: TBD

Handle Finishes: Brushed Nickel



Earth

Countertops

Materials: Solid Surface



TBD Solid Surface



www.midmark.com
design@midmark.com
Phone: 1-800-MIDMARK

Project Name: **Stilwell Cherokee Clinic**

Project #: **MS181039**

Phase #: **01**

Rev: **K**

**Signed Drawings Required To
Process Order**

Floor Plan View

(Signature)

(Date)

See Cover Page For Terms and Conditions





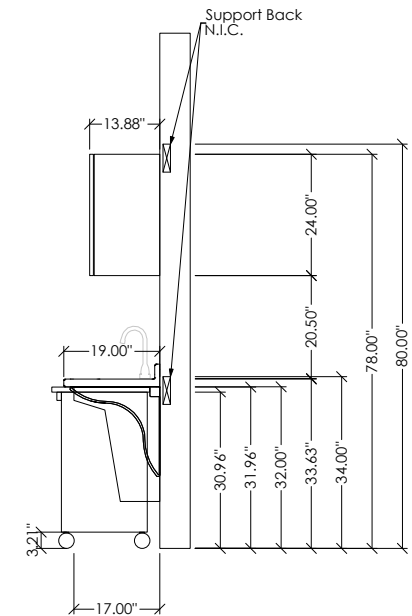
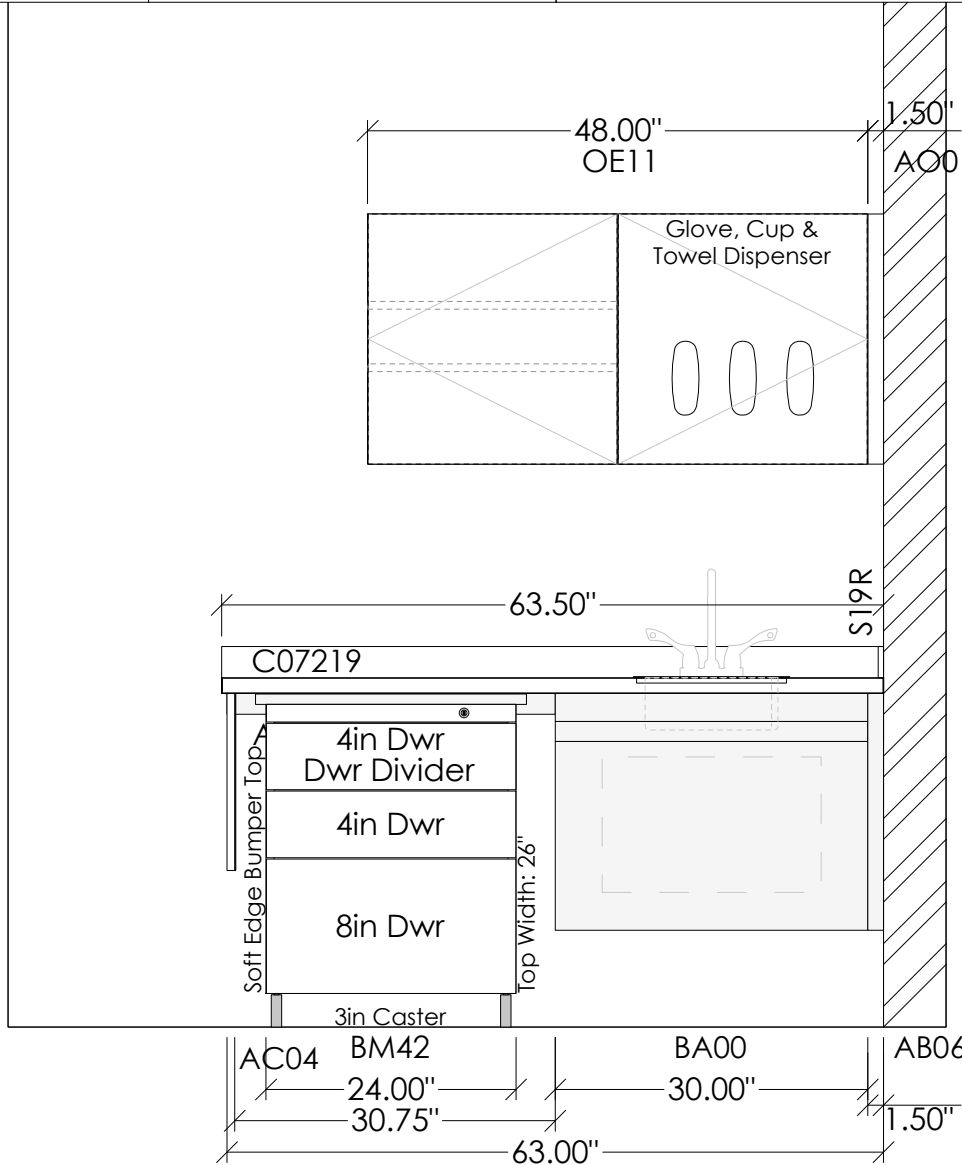
www.midmark.com
design@midmark.com
Phone: 1-800-MIDMARK

Project Name: Stilwell Cherokee Clinic		Project #: MS181039		Phase #: 01		Rev: K	
Base Finish:	487-Earth	Tasklight:	None	Top Material:	Solid Surface		
Upper Finish:	487-Earth	Grommet:	None	Top Color:	TBD Solid Surface		
Panel Style:	Serenity Panel	Cutout:	None	Note:			
Handle:	Brushed Nickel TBD	Note:		Sink:	CSK-S131105-2		
Lock:	T105 Keyed Locking (See Elevation)	Note:		Faucet:	CFT-3GS4WB-2		

Signed Drawings Required To Process Order

(Signature) (Date)

See Cover Page For Terms and Conditions



01-00-07 Lactation

See Countertop Detail Sheet: Solid Surface A, Rolled Edge w/ Int BS 1" x 3"



www.midmark.com
design@midmark.com
Phone: 1-800-MIDMARK

Project Name: **Stilwell Cherokee Clinic**

Project #: **MS181039**

Phase #: **01**

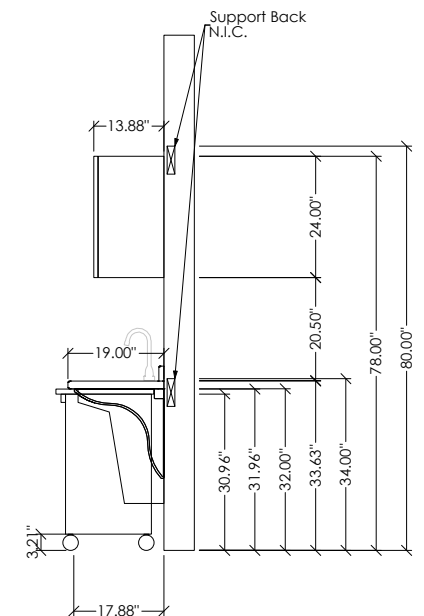
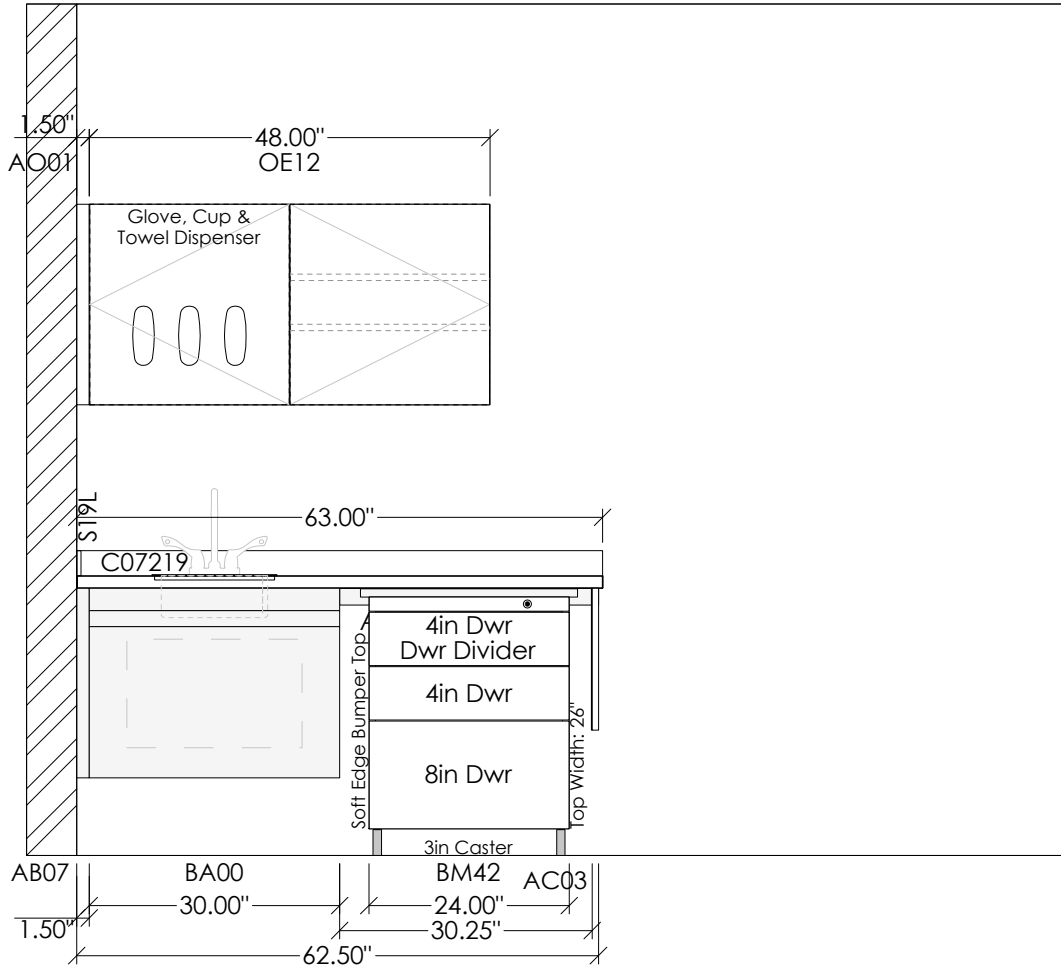
Rev: **K**

Signed Drawings Required To Process Order

Base Finish:	487-Earth	Tasklight:	None	Top Material:	Solid Surface
Upper Finish:	487-Earth	Grommet:	None	Top Color:	TBD Solid Surface
Panel Style:	Serenity Panel	Ultrasonic:	None	Note:	
Handle:	Brushed Nickel TBD	Note:		Sink:	CSK-S131105-2
Lock:	T105 Keyed Locking (See Elevation)	Note:		Faucet:	CFT-3GS4WB-2

(Signature)

(Date)



01-07-07 PT Trtmt

See Countertop Detail Sheet: Solid Surface D, Rolled Edge w/ Set-On BS 1" x 3"



www.midmark.com
design@midmark.com
Phone: 1-800-MIDMARK

Project Name: **Stilwell Cherokee Clinic**

Project #: **MS181039**

Phase #: **01**

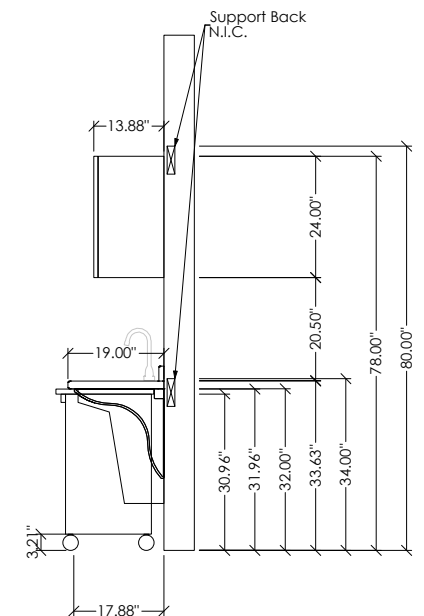
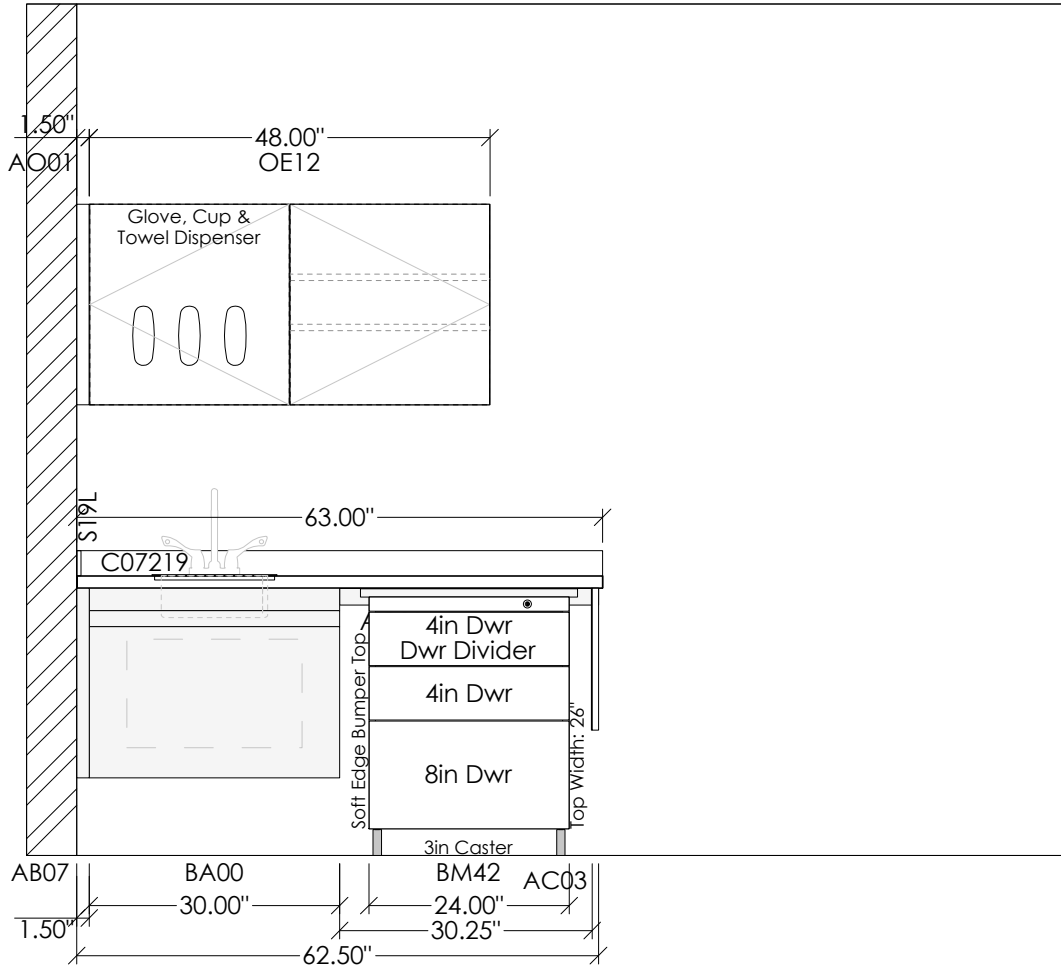
Rev: **K**

Signed Drawings Required To Process Order

Base Finish:	487-Earth	Tasklight:	None	Top Material:	Solid Surface
Upper Finish:	487-Earth	Grommet:	None	Top Color:	TBD Solid Surface
Panel Style:	Serenity Panel	Ultrasonic:	None	Note:	
Handle:	Brushed Nickel TBD	Note:		Sink:	CSK-S131105-2
Lock:	T105 Keyed Locking (See Elevation)	Note:		Faucet:	CFT-3GS4WB-2

(Signature)

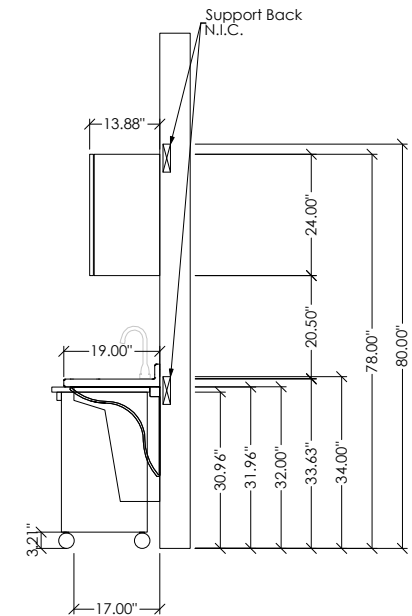
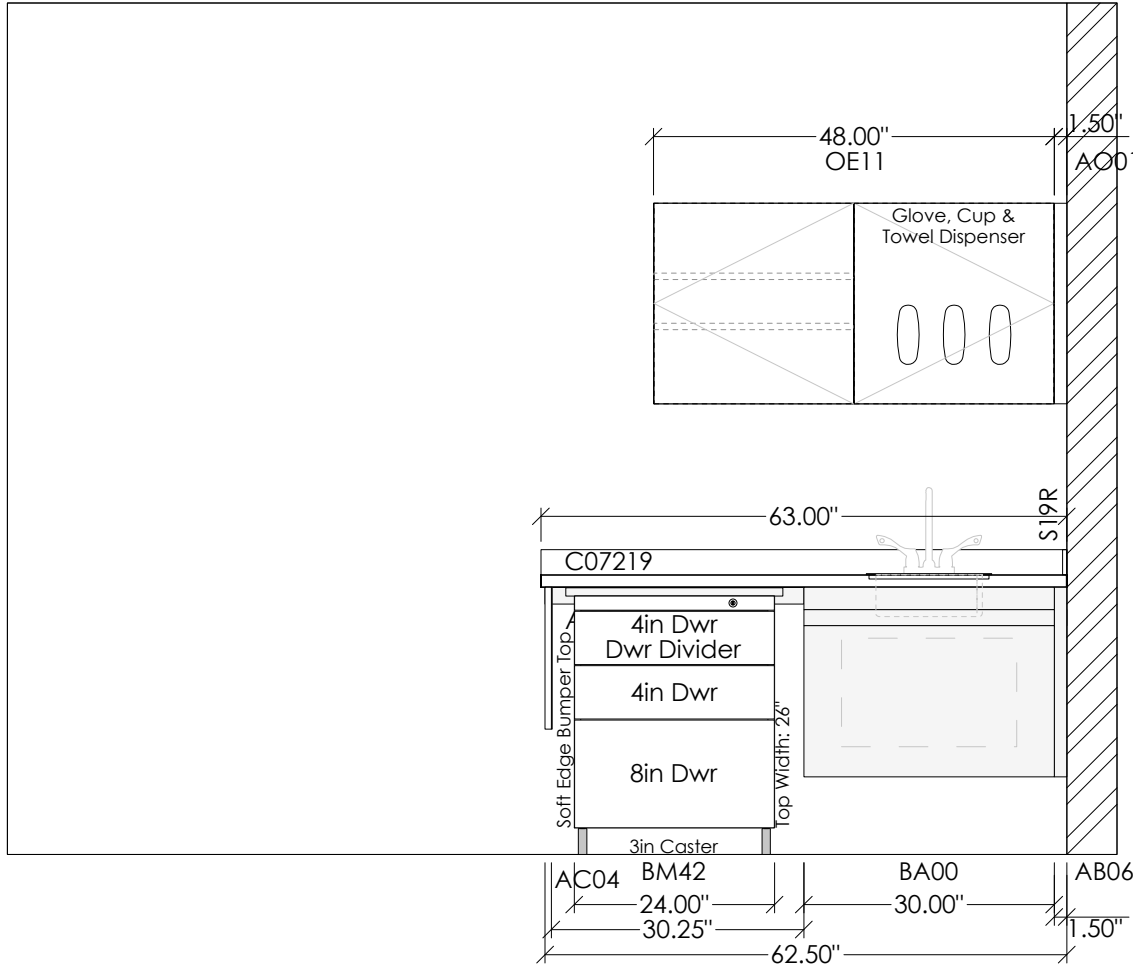
(Date)





www.midmark.com
design@midmark.com
Phone: 1-800-MIDMARK

Project Name: Stilwell Cherokee Clinic		Project #: MS181039		Phase #: 01		Rev: K	
Base Finish:	487-Earth	Tasklight:	None	Top Material:	Solid Surface		Signed Drawings Required To Process Order <hr/> (Signature) (Date)
Upper Finish:	487-Earth	Grommet:	None	Top Color:	TBD Solid Surface		
Panel Style:	Serenity Panel	Ultrasonic:	None	Note:			
Handle:	Brushed Nickel TBD	Note:		Sink:	CSK-S131105-2		
Lock:	T105 Keyed Locking (See Elevation)	Note:		Faucet:	CFT-3GS4WB-2		





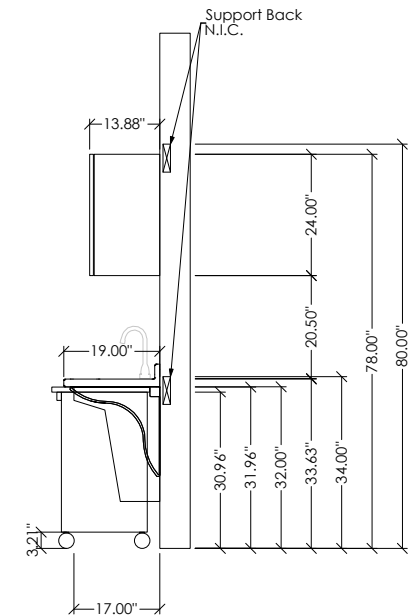
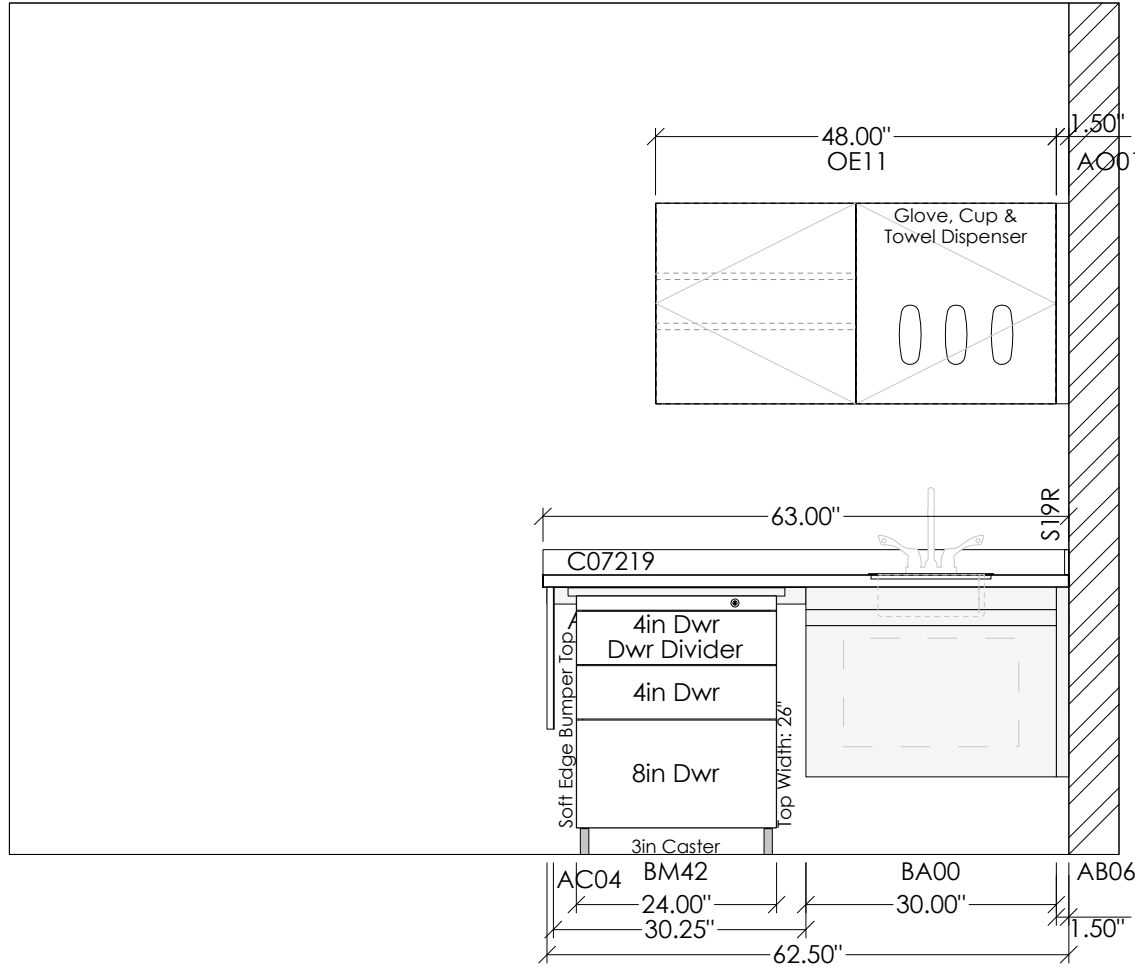
www.midmark.com
design@midmark.com
Phone: 1-800-MIDMARK

Project Name: Stilwell Cherokee Clinic		Project #: MS181039		Phase #: 01		Rev: K	
Base Finish:	487-Earth	Tasklight:	None	Top Material:	Solid Surface		
Upper Finish:	487-Earth	Grommet:	None	Top Color:	TBD Solid Surface		
Panel Style:	Serenity Panel	Ultrasonic:	None	Note:			
Handle:	Brushed Nickel TBD	Note:		Sink:	CSK-S131105-2		
Lock:	T105 Keyed Locking (See Elevation)	Note:		Faucet:	CFT-3GS4WB-2		

Signed Drawings Required To Process Order

(Signature)

(Date)





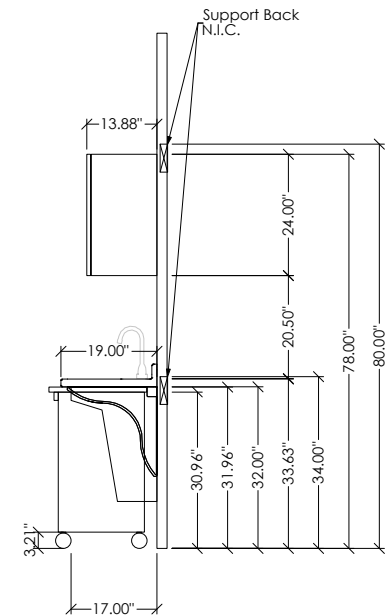
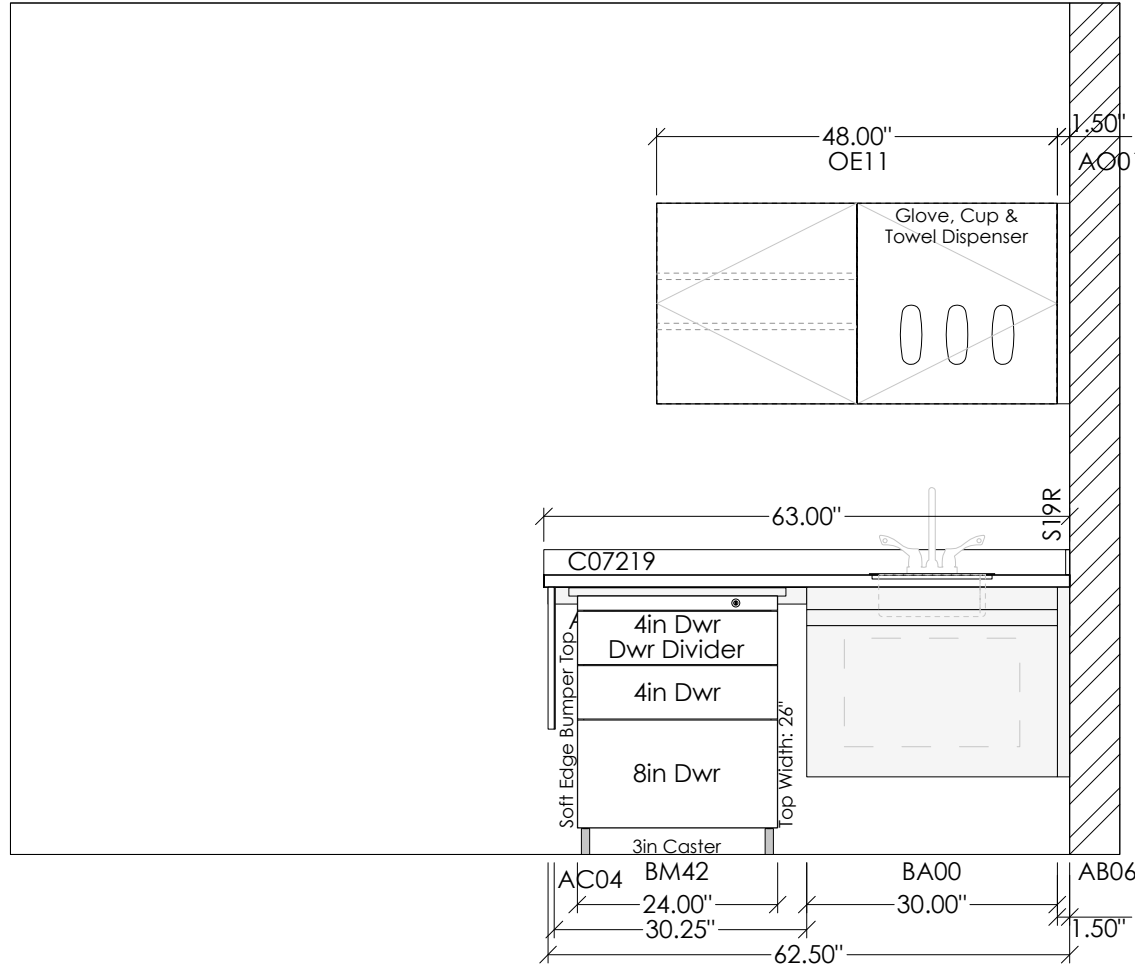
www.midmark.com
design@midmark.com
Phone: 1-800-MIDMARK

Project Name: Stilwell Cherokee Clinic		Project #: MS181039		Phase #: 01		Rev: K	
Base Finish:	487-Earth	Tasklight:	None	Top Material:	Solid Surface		
Upper Finish:	487-Earth	Grommet:	None	Top Color:	TBD Solid Surface		
Panel Style:	Serenity Panel	Ultrasonic:	None	Note:			
Handle:	Brushed Nickel TBD	Note:		Sink:	CSK-S131105-2		
Lock:	T105 Keyed Locking (See Elevation)	Note:		Faucet:	CFT-3GS4WB-2		

Signed Drawings Required To Process Order

(Signature)

(Date)





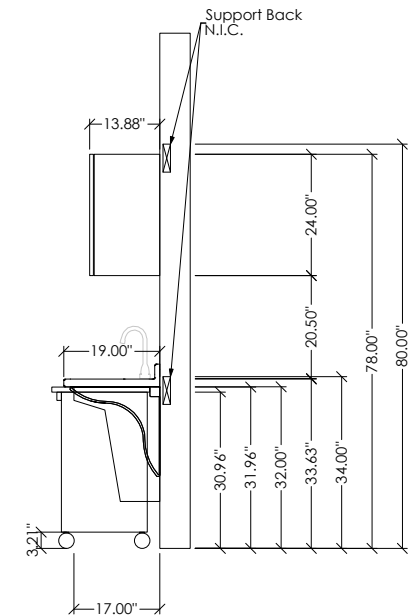
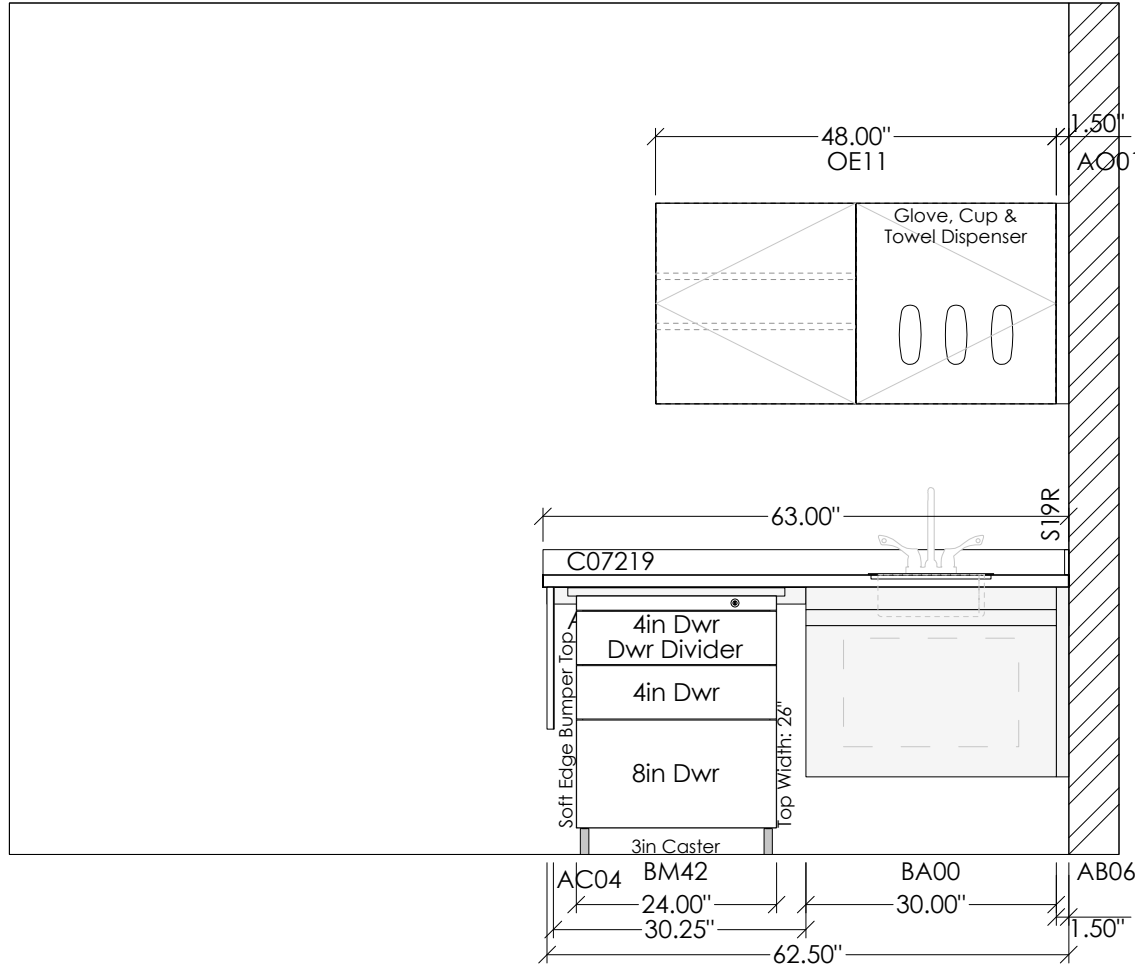
www.midmark.com
design@midmark.com
Phone: 1-800-MIDMARK

Project Name: Stilwell Cherokee Clinic		Project #: MS181039		Phase #: 01		Rev: K	
Base Finish:	487-Earth	Tasklight:	None	Top Material:	Solid Surface		
Upper Finish:	487-Earth	Grommet:	None	Top Color:	TBD Solid Surface		
Panel Style:	Serenity Panel	Ultrasonic:	None	Note:			
Handle:	Brushed Nickel TBD	Note:		Sink:	CSK-S131105-2		
Lock:	T105 Keyed Locking (See Elevation)	Note:		Faucet:	CFT-3GS4WB-2		

Signed Drawings Required To Process Order

(Signature)

(Date)





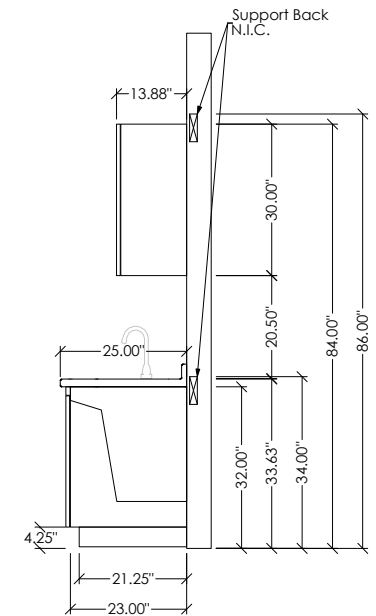
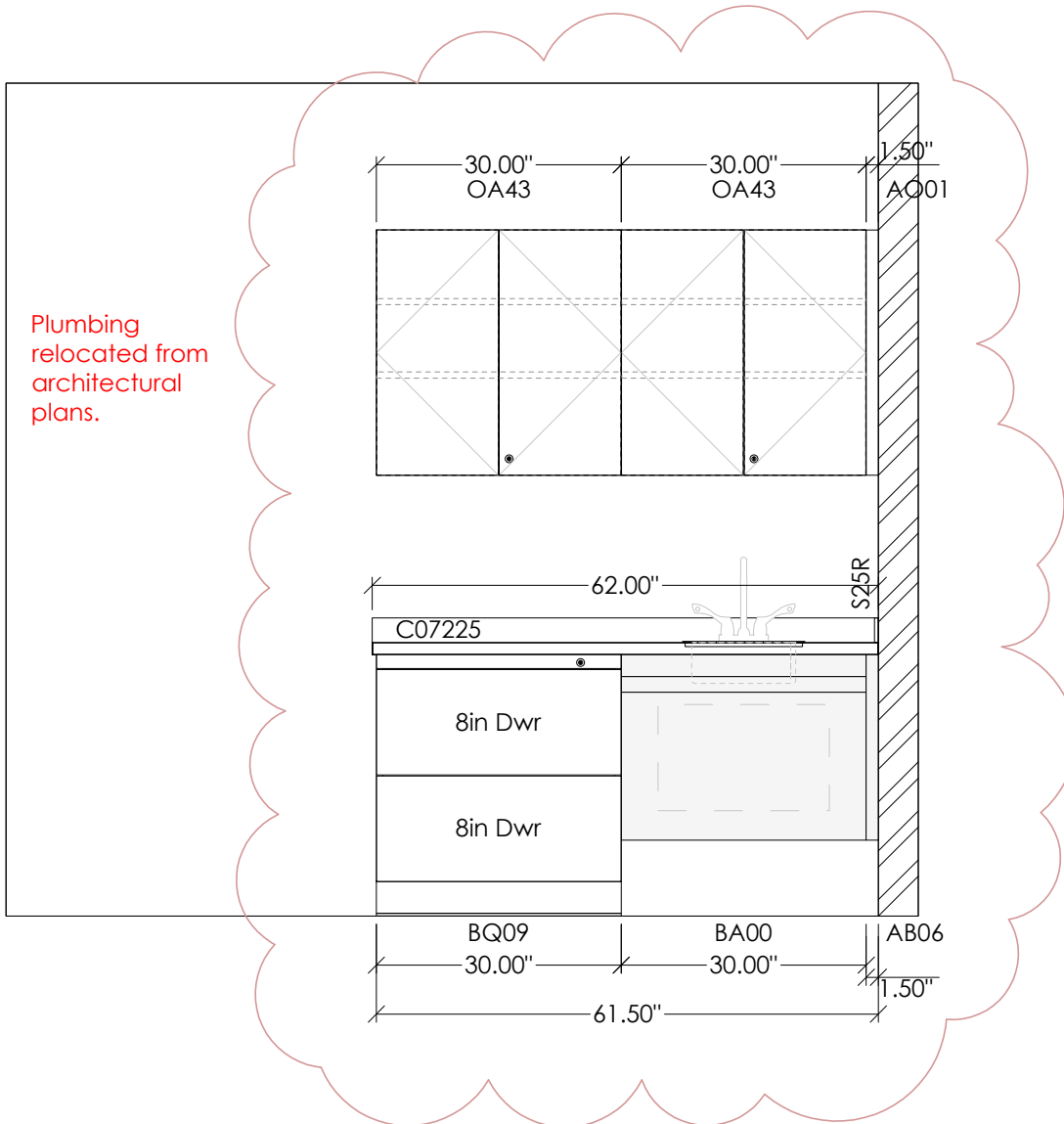
www.midmark.com
design@midmark.com
Phone: 1-800-MIDMARK

Project Name: Stilwell Cherokee Clinic		Project #: MS181039		Phase #: 01		Rev: K	
Base Finish:	487-Earth	Tasklight:	None	Top Material:	Solid Surface		
Upper Finish:	487-Earth	Grommet:	None	Top Color:	TBD Solid Surface		
Panel Style:	Serenity Panel	Ultrasonic:	None	Note:			
Handle:	Brushed Nickel TBD	Note:		Sink:	CSK-S131105-2		
Lock:	T105 Keyed Locking (See Elevation)	Note:		Faucet:	CFT-3GS4WB-2		

Signed Drawings Required To Process Order

(Signature)

(Date)





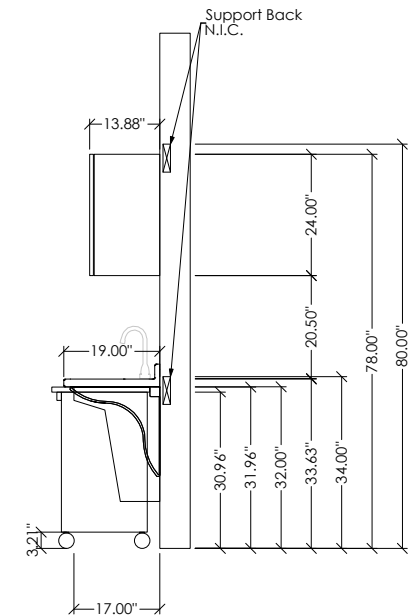
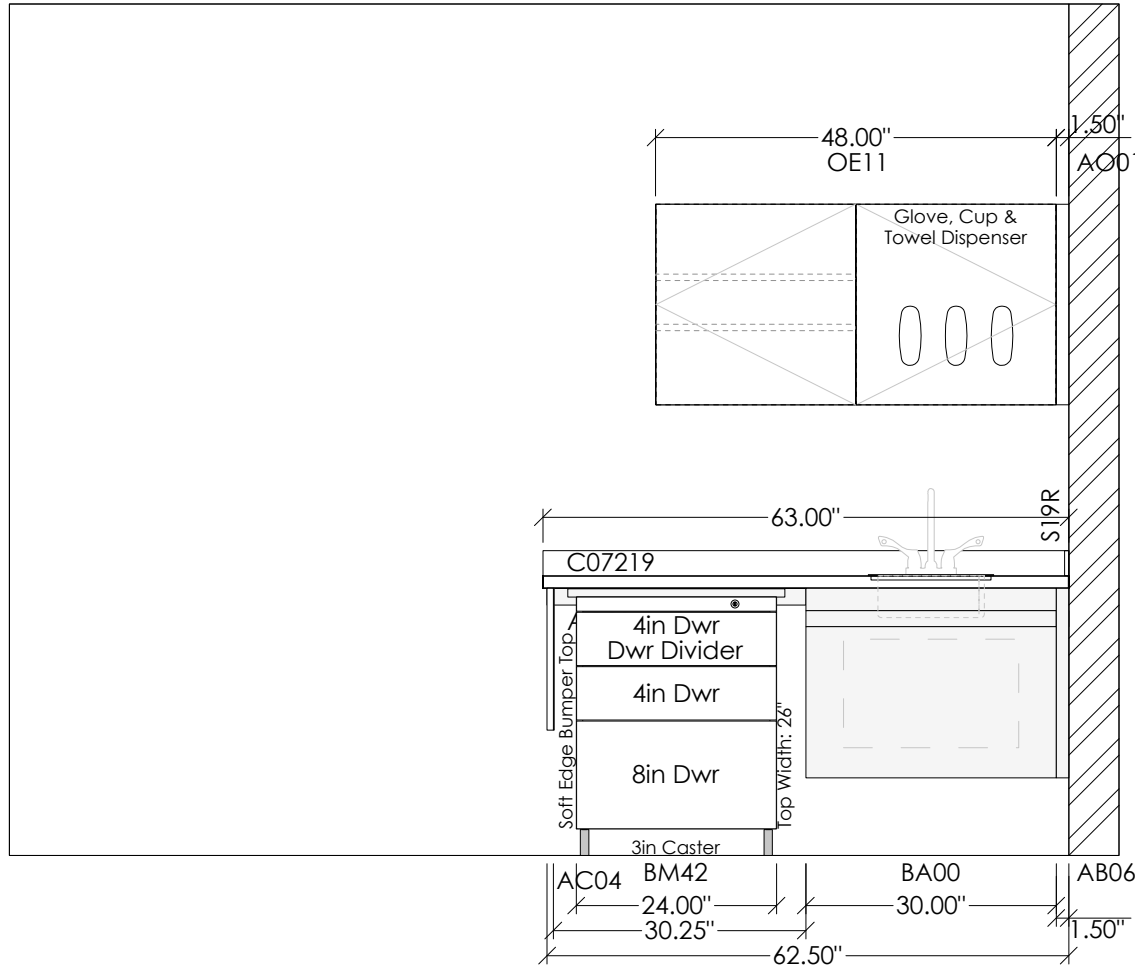
www.midmark.com
design@midmark.com
Phone: 1-800-MIDMARK

Project Name: Stilwell Cherokee Clinic		Project #: MS181039		Phase #: 01		Rev: K	
Base Finish:	487-Earth	Tasklight:	None	Top Material:	Solid Surface		
Upper Finish:	487-Earth	Grommet:	None	Top Color:	TBD Solid Surface		
Panel Style:	Serenity Panel	Ultrasonic:	None	Note:			
Handle:	Brushed Nickel TBD	Note:		Sink:	CSK-S131105-2		
Lock:	T105 Keyed Locking (See Elevation)	Note:		Faucet:	CFT-3GS4WB-2		

Signed Drawings Required To Process Order

(Signature)

(Date)





www.midmark.com
design@midmark.com
Phone: 1-800-MIDMARK

Project Name: **Stilwell Cherokee Clinic**

Project #: **MS181039**

Phase #: **01**

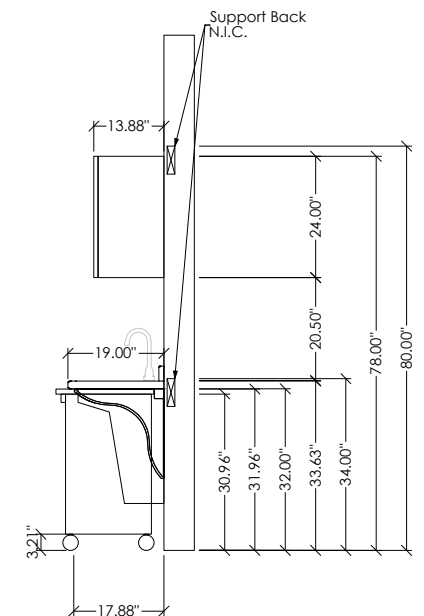
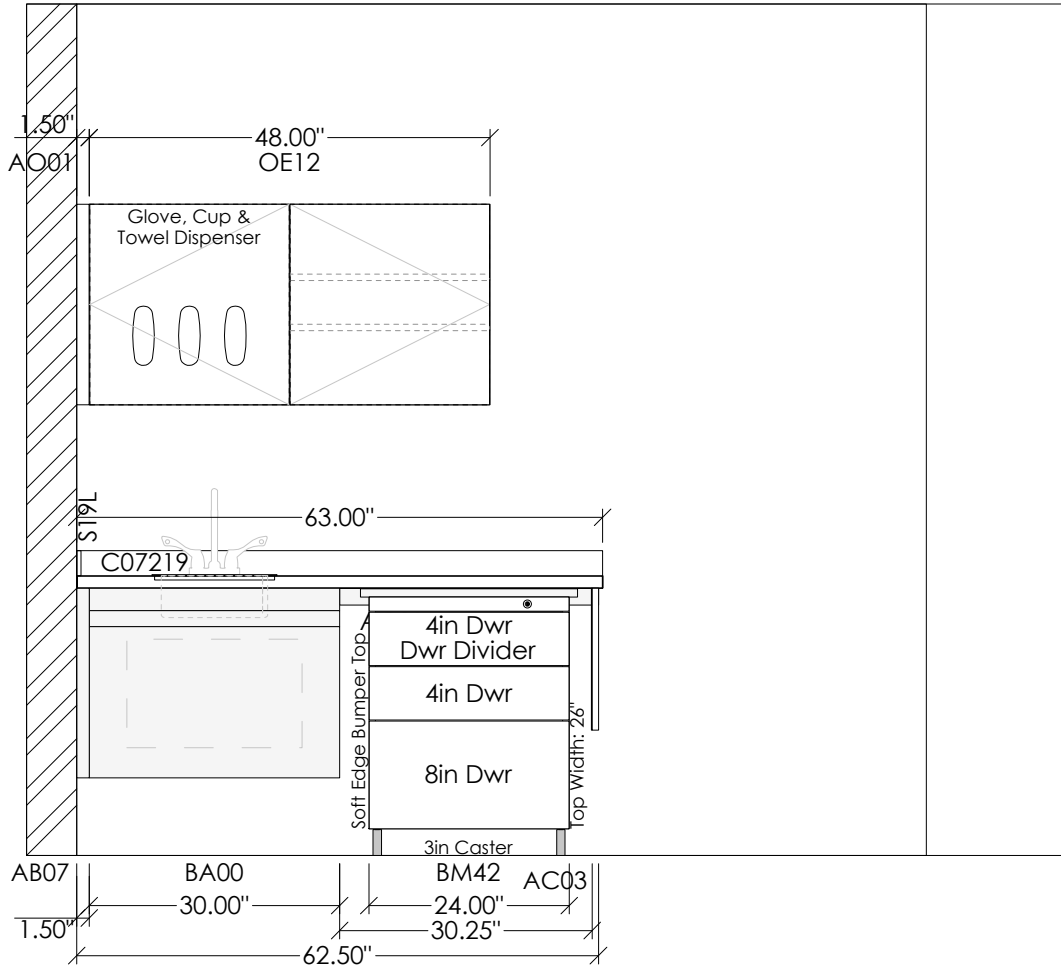
Rev: **K**

Signed Drawings Required To Process Order

Base Finish:	487-Earth	Tasklight:	None	Top Material:	Solid Surface
Upper Finish:	487-Earth	Grommet:	None	Top Color:	TBD Solid Surface
Panel Style:	Serenity Panel	Ultrasonic:	None	Note:	
Handle:	Brushed Nickel TBD	Note:		Sink:	CSK-S131105-2
Lock:	T105 Keyed Locking (See Elevation)	Note:		Faucet:	CFT-3GS4WB-2

(Signature)

(Date)





www.midmark.com
 design@midmark.com
 Phone: 1-800-MIDMARK

Project Name: **Stilwell Cherokee Clinic**

Project #: **MS181039**

Phase #: **01**

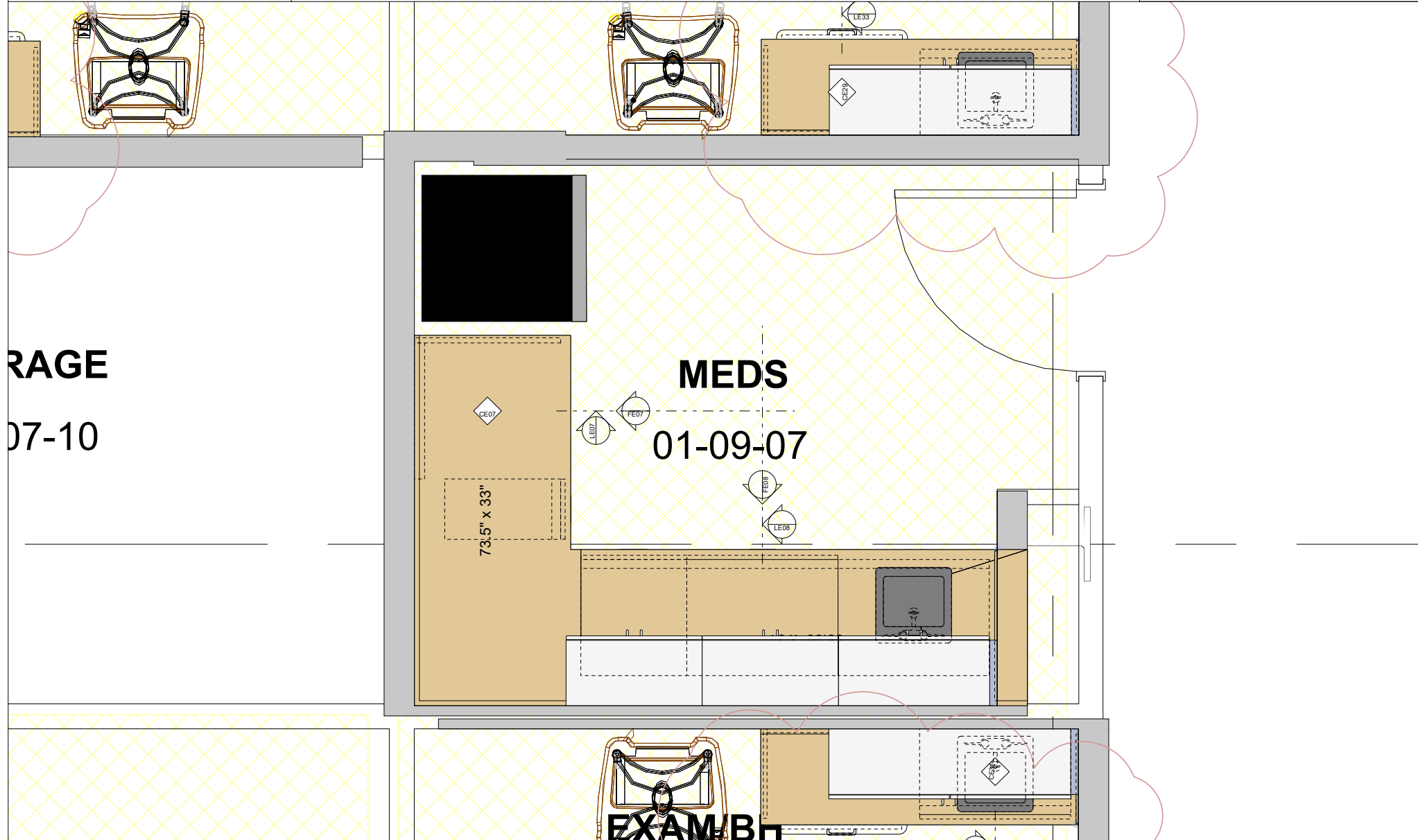
Rev: **K**

**Signed Drawings Required To
 Process Order**

Room Plan View

(Signature)

(Date)



RAGE
 07-10

01-09-07 Meds



www.midmark.com
design@midmark.com
Phone: 1-800-MIDMARK

Project Name: **Stilwell Cherokee Clinic**

Project #: **MS181039**

Phase #: **01**

Rev: **K**

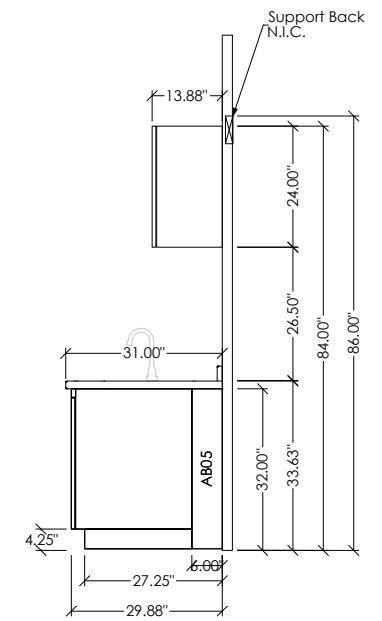
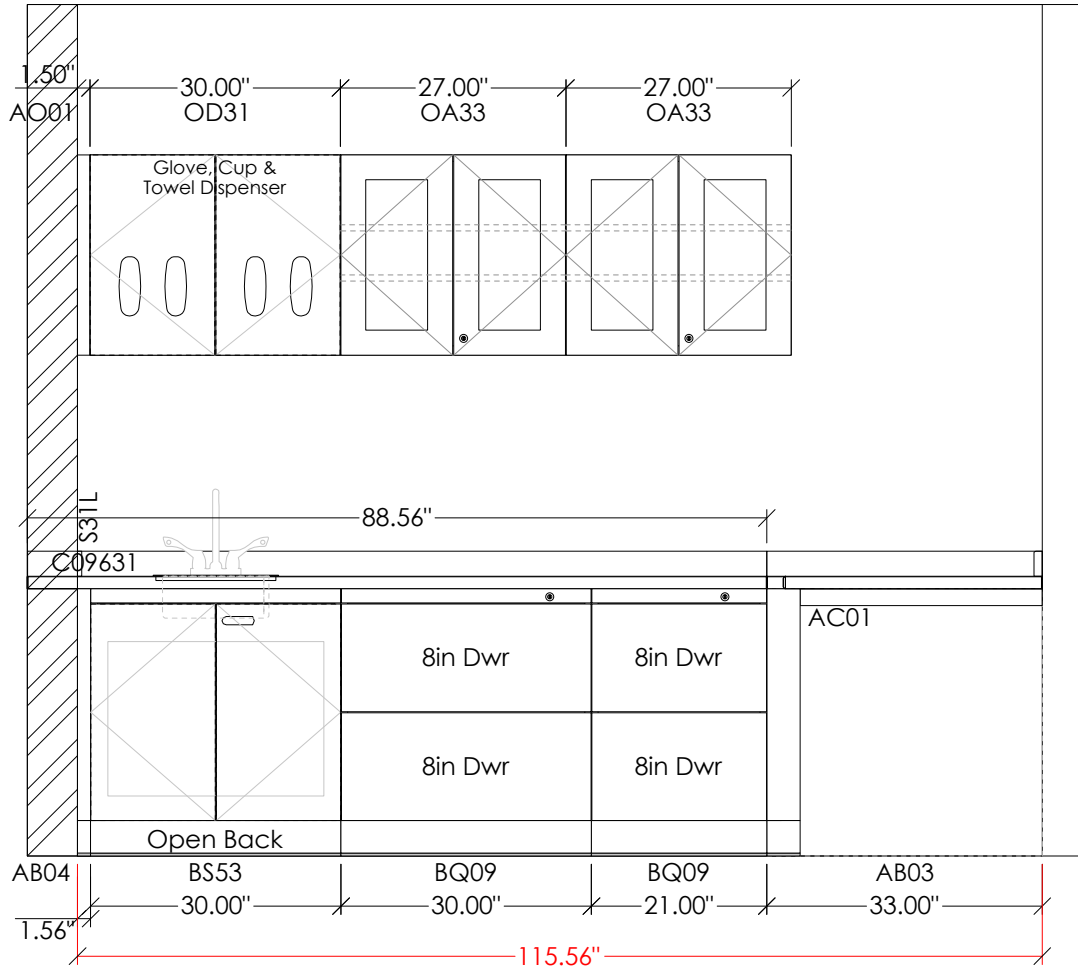
Signed Drawings Required To Process Order

Base Finish:	487-Earth	Tasklight:	None	Top Material:	Solid Surface
Upper Finish:	487-Earth	Grommet:	None	Top Color:	TBD Solid Surface
Panel Style:	Serenity Panel	Cutout:	None	Note:	
Handle:	Brushed Nickel TBD	Note:		Sink:	CSK-S131105-2
Lock:	T105	Note:	Field Measurement Required	Faucet:	CFT-3GS4WB-2

(Signature)

(Date)

See Cover Page For Terms and Conditions





www.midmark.com
 design@midmark.com
 Phone: 1-800-MIDMARK

Project Name: **Stilwell Cherokee Clinic**

Project #: **MS181039**

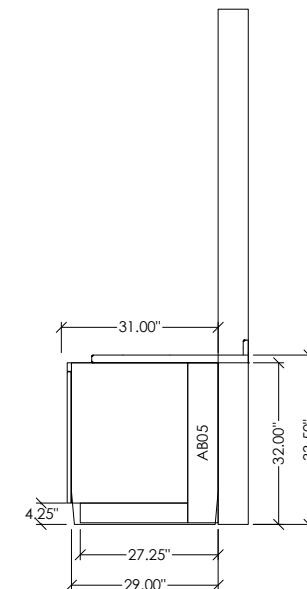
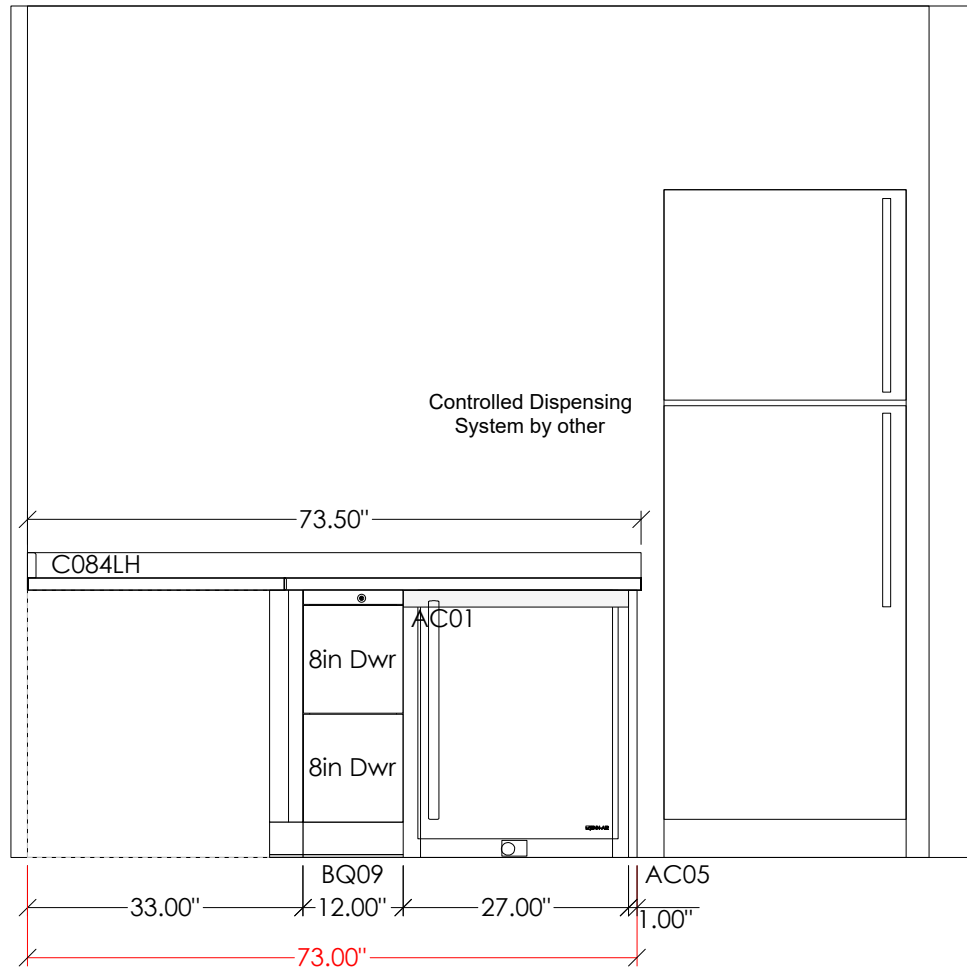
Phase #: **01**

Rev: **K**

Signed Drawings Required To Process Order

Base Finish:	487-Earth	Tasklight:	None	Top Material:	Solid Surface
Upper Finish:		Grommet:	None	Top Color:	TBD Solid Surface
Panel Style:	Serenity Panel	Cutout:	None	Note:	
Handle:	Brushed Nickel TBD	Note:		Sink:	None
Lock:	T105 Keyed Locking (See Elevation)	Note:	Field Measurement Required	Faucet:	None

(Signature) (Date)
 See Cover Page For Terms and Conditions





www.midmark.com
design@midmark.com
Phone: 1-800-MIDMARK

Project Name: **Stilwell Cherokee Clinic**

Project #: **MS181039**

Phase #: **01**

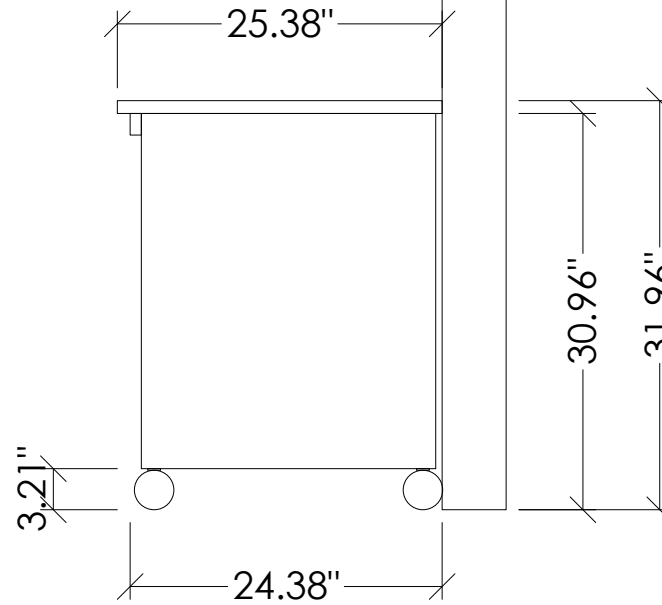
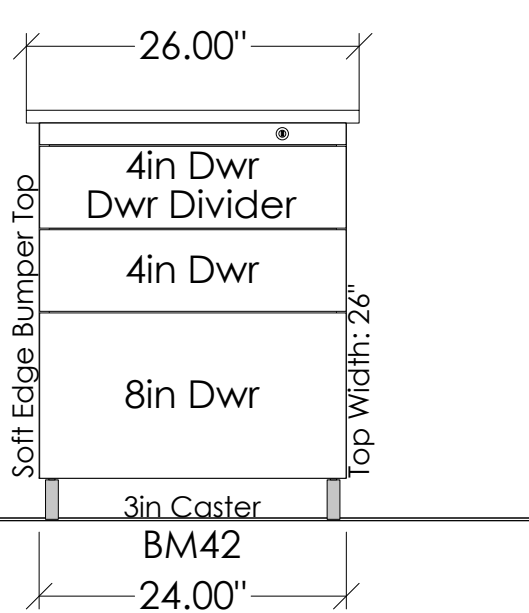
Rev: **K**

Signed Drawings Required To Process Order

Base Finish:	487-Earth	Tasklight:	None	Top Material:	None
Upper Finish:		Grommet:	None	Top Color:	None
Panel Style:	Serenity Panel	Ultrasonic:	None	Note:	
Handle:	Brushed Nickel TBD	Note:		Sink:	None
Lock:	T105 Keyed Locking (See Elevation)	Note:		Faucet:	None

(Signature)

(Date)



01-09-11 Treatment Cart



www.midmark.com
 design@midmark.com
 Phone: 1-800-MIDMARK

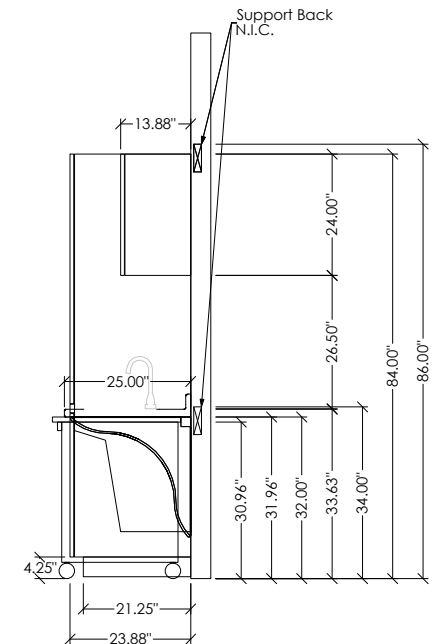
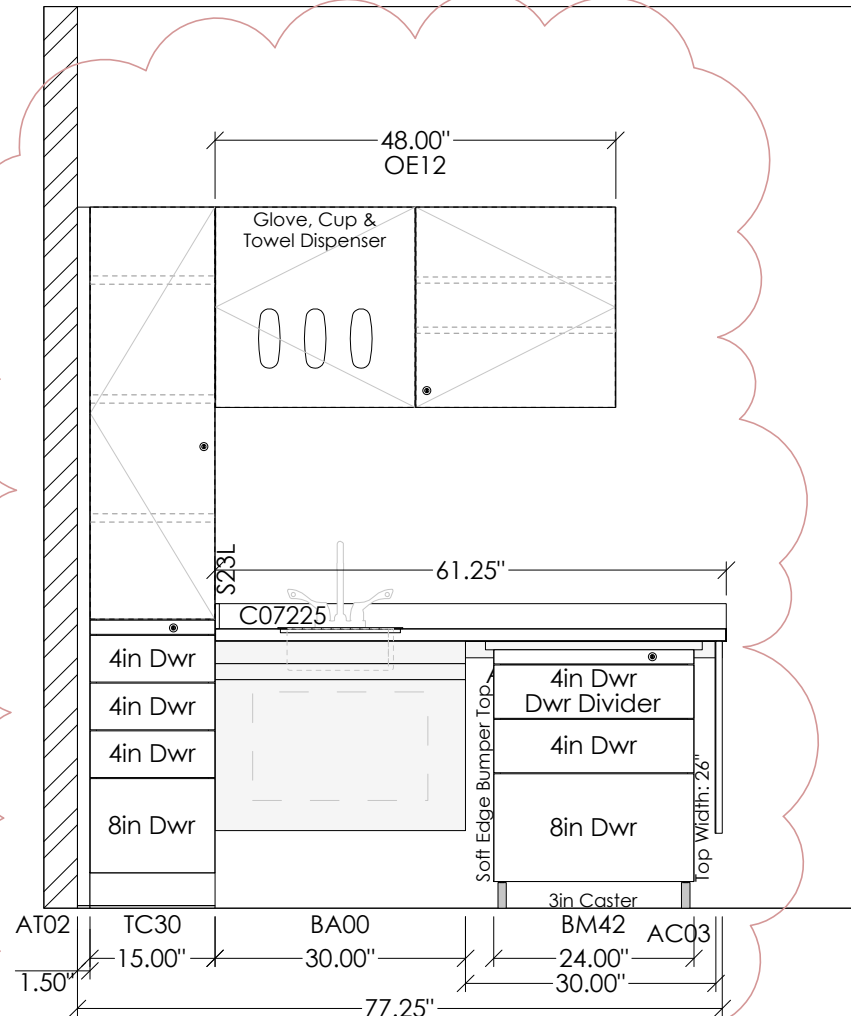
Project Name: Stilwell Cherokee Clinic		Project #: MS181039		Phase #: 01		Rev: K	
Base Finish:	487-Earth	Tasklight:	None	Top Material:	Solid Surface		
Upper Finish:	487-Earth	Grommet:	None	Top Color:	TBD Solid Surface		
Panel Style:	Serenity Panel	Ultrasonic:	None	Note:			
Handle:	Brushed Nickel TBD	Note:		Sink:	CSK-S131105-2		
Lock:	T105 Keyed Locking (See Elevation)	Note:		Faucet:	CFT-3GS4WB-2		

Signed Drawings Required To Process Order

(Signature)

(Date)

Plumbing relocated from architectural plans.





www.midmark.com
 design@midmark.com
 Phone: 1-800-MIDMARK

Project Name: **Stilwell Cherokee Clinic**

Project #: **MS181039**

Phase #: **01**

Rev: **K**

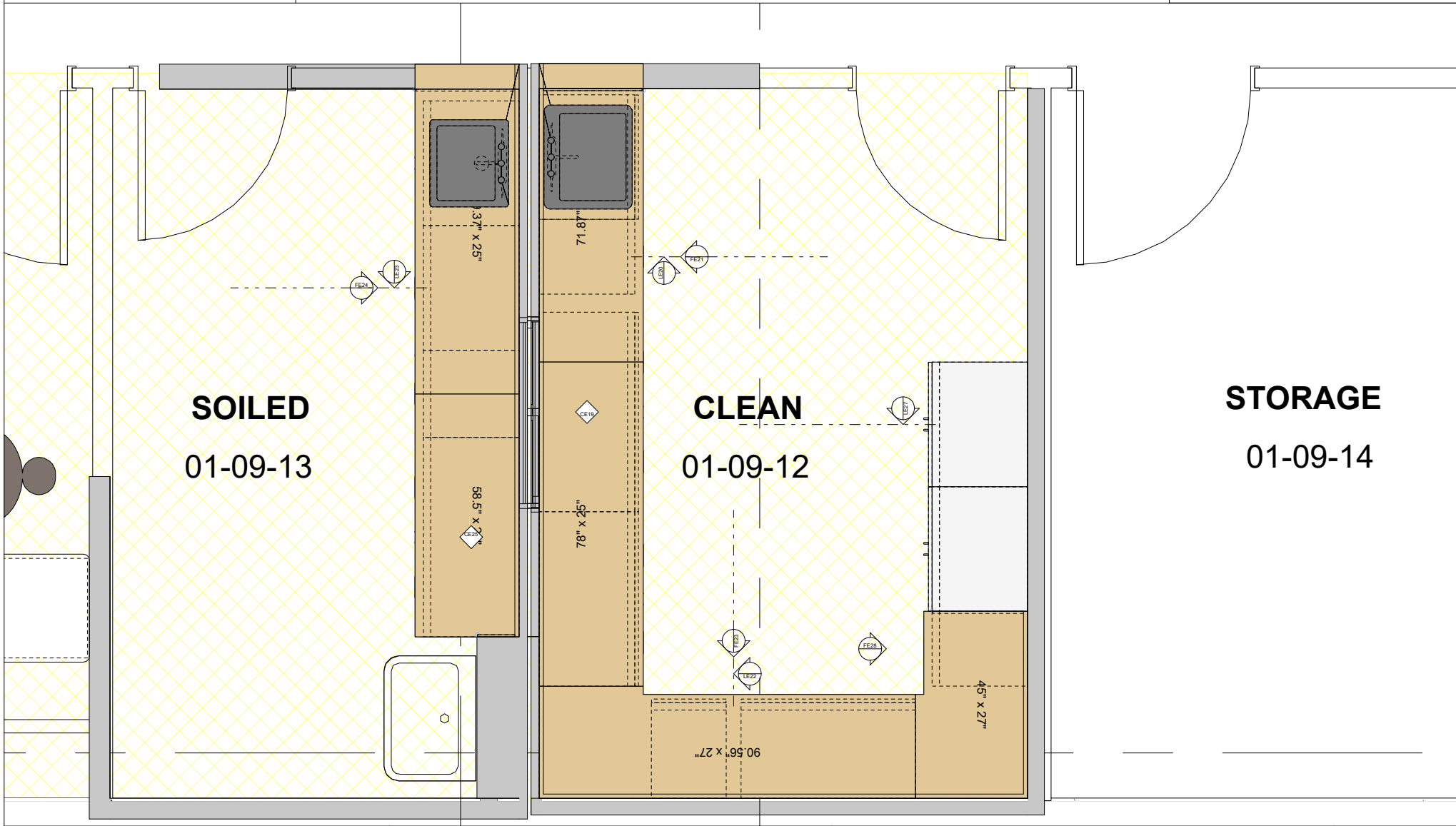
**Signed Drawings Required To
 Process Order**

Room Plan View

(Signature)

(Date)

See Cover Page For Terms and Conditions



01-09-12 Clean



www.midmark.com
design@midmark.com
Phone: 1-800-MIDMARK

Project Name: **Stilwell Cherokee Clinic**

Project #: **MS181039**

Phase #: **01**

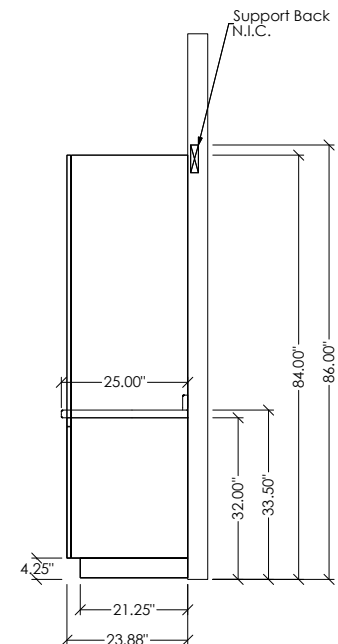
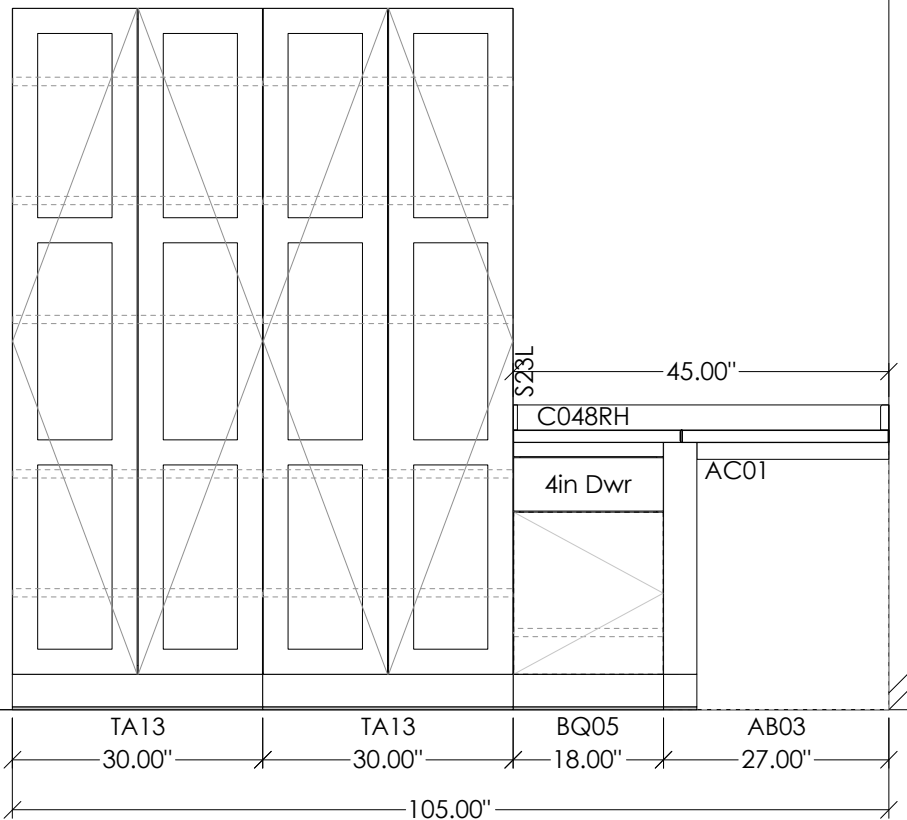
Rev: **K**

Signed Drawings Required To Process Order

Base Finish:	487-Earth	Tasklight:	None	Top Material:	Solid Surface
Upper Finish:		Grommet:	None	Top Color:	TBD Solid Surface
Panel Style:	Serenity Panel	Ultrasonic:	None	Note:	
Handle:	Brushed Nickel TBD	Note:		Sink:	None
Lock:	No Lock	Note:		Faucet:	None

(Signature)

(Date)





www.midmark.com
design@midmark.com
Phone: 1-800-MIDMARK

Project Name: **Stilwell Cherokee Clinic**

Project #: **MS181039**

Phase #: **01**

Rev: **K**

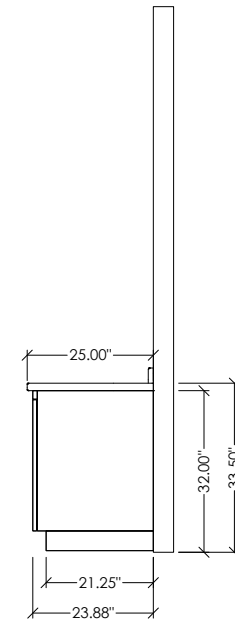
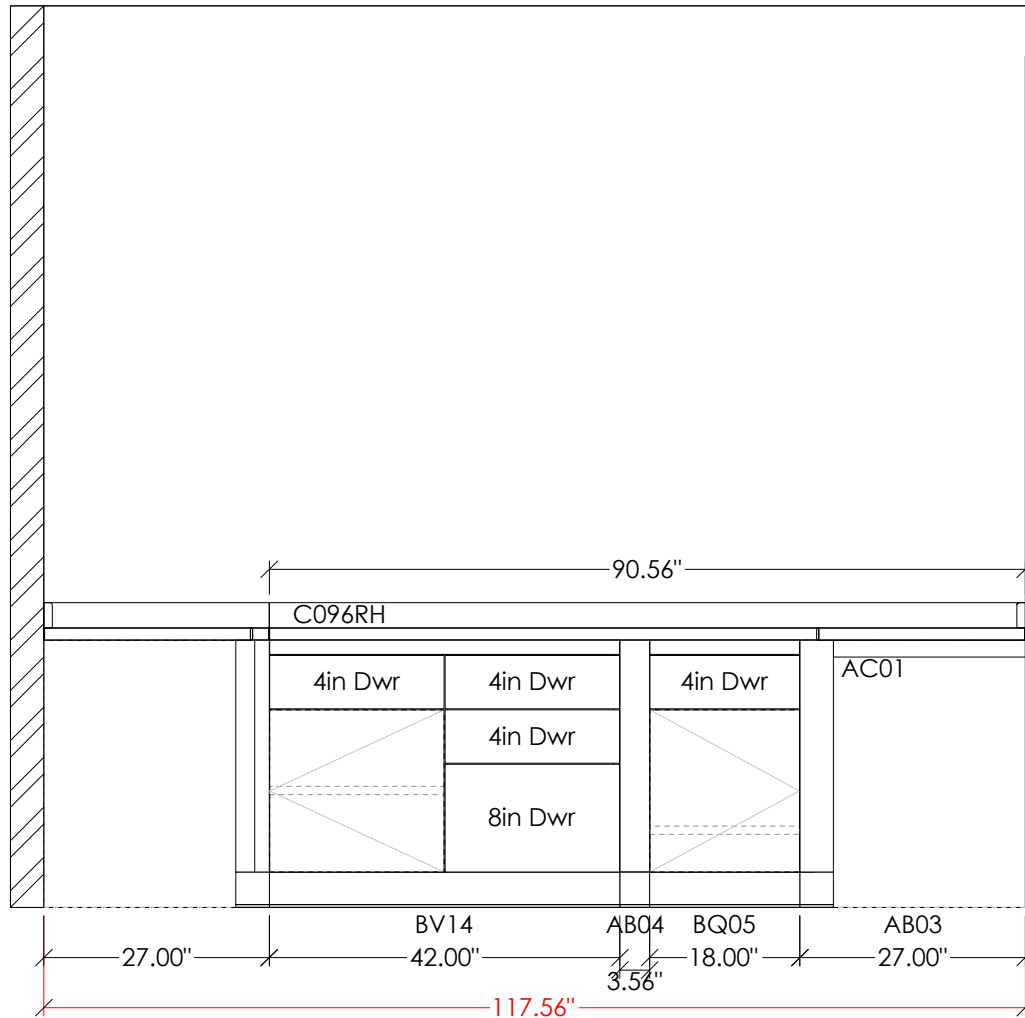
Signed Drawings Required To Process Order

Base Finish:	487-Earth	Tasklight:	None	Top Material:	Solid Surface
Upper Finish:		Grommet:	None	Top Color:	TBD Solid Surface
Panel Style:	Serenity Panel	Cutout:	None	Note:	
Handle:	Brushed Nickel TBD	Note:		Sink:	None
Lock:	No Lock	Note:	Field Measurement Required	Faucet:	None

(Signature)

(Date)

See Cover Page For Terms and Conditions





www.midmark.com
design@midmark.com
Phone: 1-800-MIDMARK

Project Name: **Stilwell Cherokee Clinic**

Project #: **MS181039**

Phase #: **01**

Rev: **K**

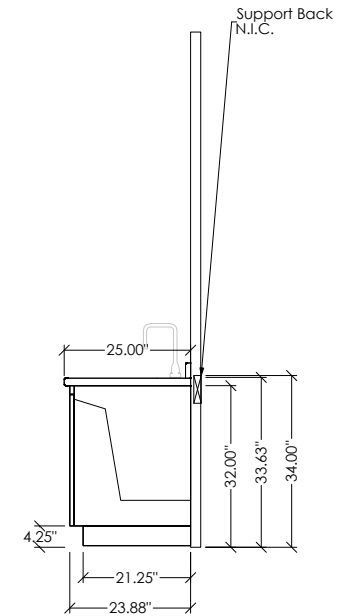
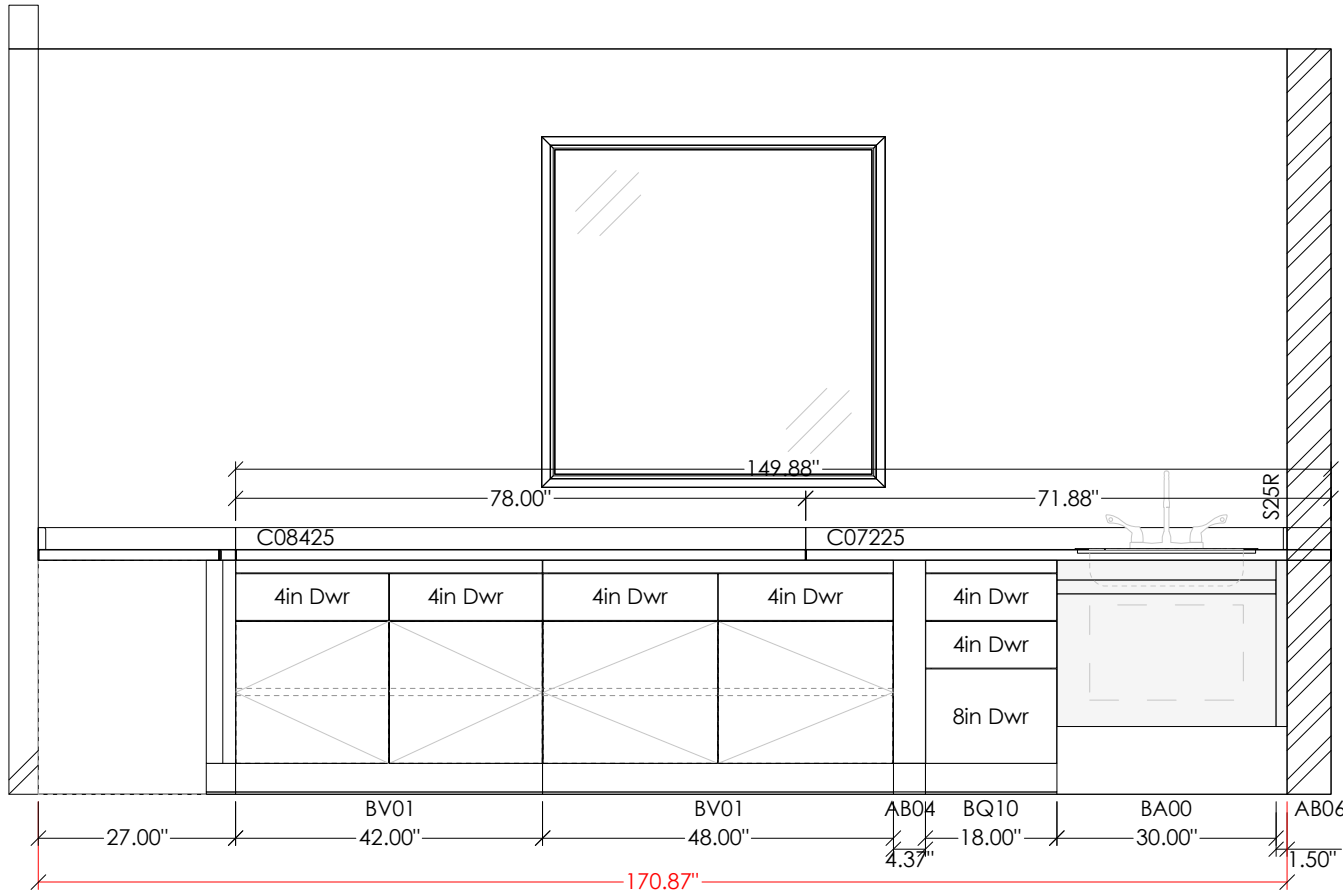
Signed Drawings Required To Process Order

Base Finish:	487-Earth	Tasklight:	None	Top Material:	Solid Surface
Upper Finish:		Grommet:	None	Top Color:	TBD Solid Surface
Panel Style:	Serenity Panel	Cutout:	None	Note:	
Handle:	Brushed Nickel TBD	Note:		Sink:	CSK-S211605-3
Lock:	No Lock	Note:	Field Measurement Required	Faucet:	CFT-6GS4WB-3

(Signature)

(Date)

See Cover Page For Terms and Conditions



01-09-12 Clean

See Countertop Detail Sheet: Solid Surface D, Rolled Edge w/ Set-On BS 1" x 3"



www.midmark.com
design@midmark.com
Phone: 1-800-MIDMARK

Project Name: **Stilwell Cherokee Clinic**

Project #: **MS181039**

Phase #: **01**

Rev: **K**

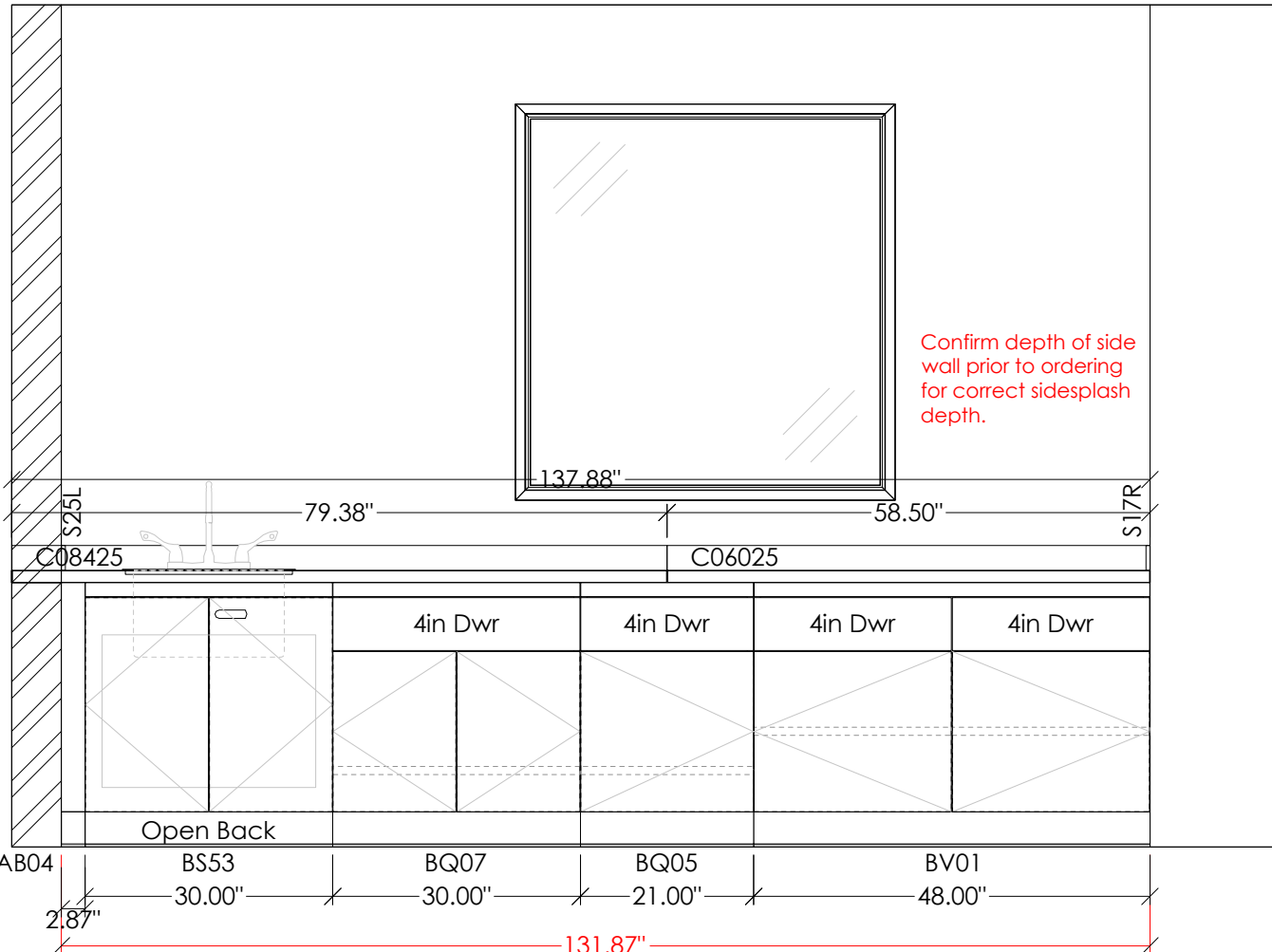
Signed Drawings Required To Process Order

Base Finish:	487-Earth	Tasklight:	None	Top Material:	Solid Surface
Upper Finish:		Grommet:	None	Top Color:	TBD Solid Surface
Panel Style:	Serenity Panel	Cutout:	None	Note:	
Handle:	Brushed Nickel TBD	Note:		Sink:	CSK-S181411-3
Lock:	Keyless Locking (See Elevation)	Note:	Field Measurement Required	Faucet:	CFT-6GS4WB-3

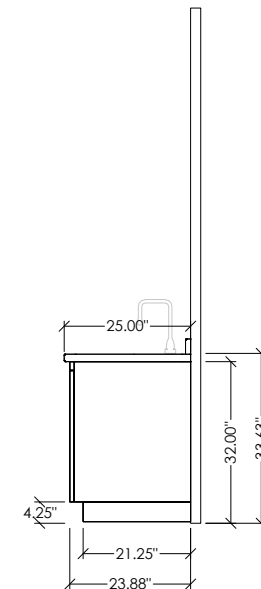
(Signature)

(Date)

See Cover Page For Terms and Conditions



Confirm depth of side wall prior to ordering for correct sidesplash depth.





www.midmark.com
 design@midmark.com
 Phone: 1-800-MIDMARK

Project Name: **Stilwell Cherokee Clinic**

Project #: **MS181039**

Phase #: **01**

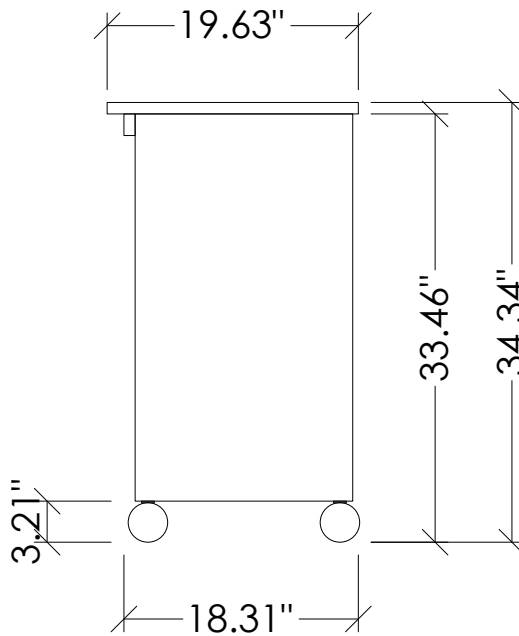
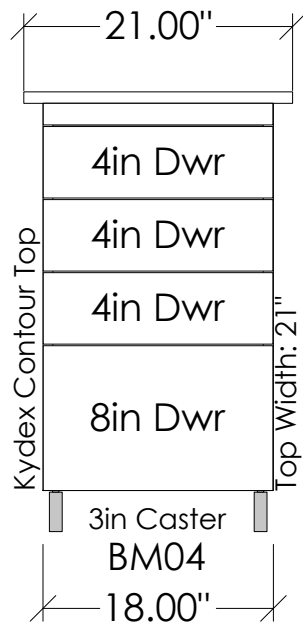
Rev: **K**

Signed Drawings Required To Process Order

Base Finish:	487-Earth	Tasklight:	None	Top Material:	None
Upper Finish:		Grommet:	None	Top Color:	None
Panel Style:	Serenity Panel	Ultrasonic:	None	Note:	
Handle:	Brushed Nickel TBD	Note:		Sink:	None
Lock:	No Lock	Note:		Faucet:	None

(Signature)

(Date)





www.midmark.com
 design@midmark.com
 Phone: 1-800-MIDMARK

Project Name: Stilwell Cherokee Clinic		Project #: MS181039		Phase #: 01		Rev: K	
Base Finish:	487-Earth	Tasklight:	None	Top Material:	Solid Surface		
Upper Finish:	487-Earth	Grommet:	None	Top Color:	TBD Solid Surface		
Panel Style:	Serenity Panel	Ultrasonic:	None	Note:			
Handle:	Brushed Nickel TBD	Note:		Sink:	CSK-S131105-2		
Lock:	T105 Keyed Locking (See Elevation)	Note:		Faucet:	CFT-3GS4WB-2		

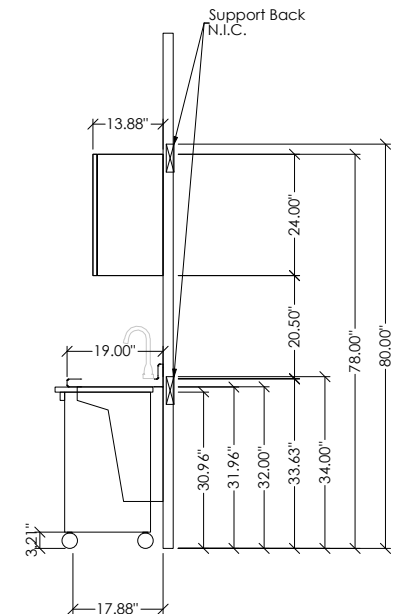
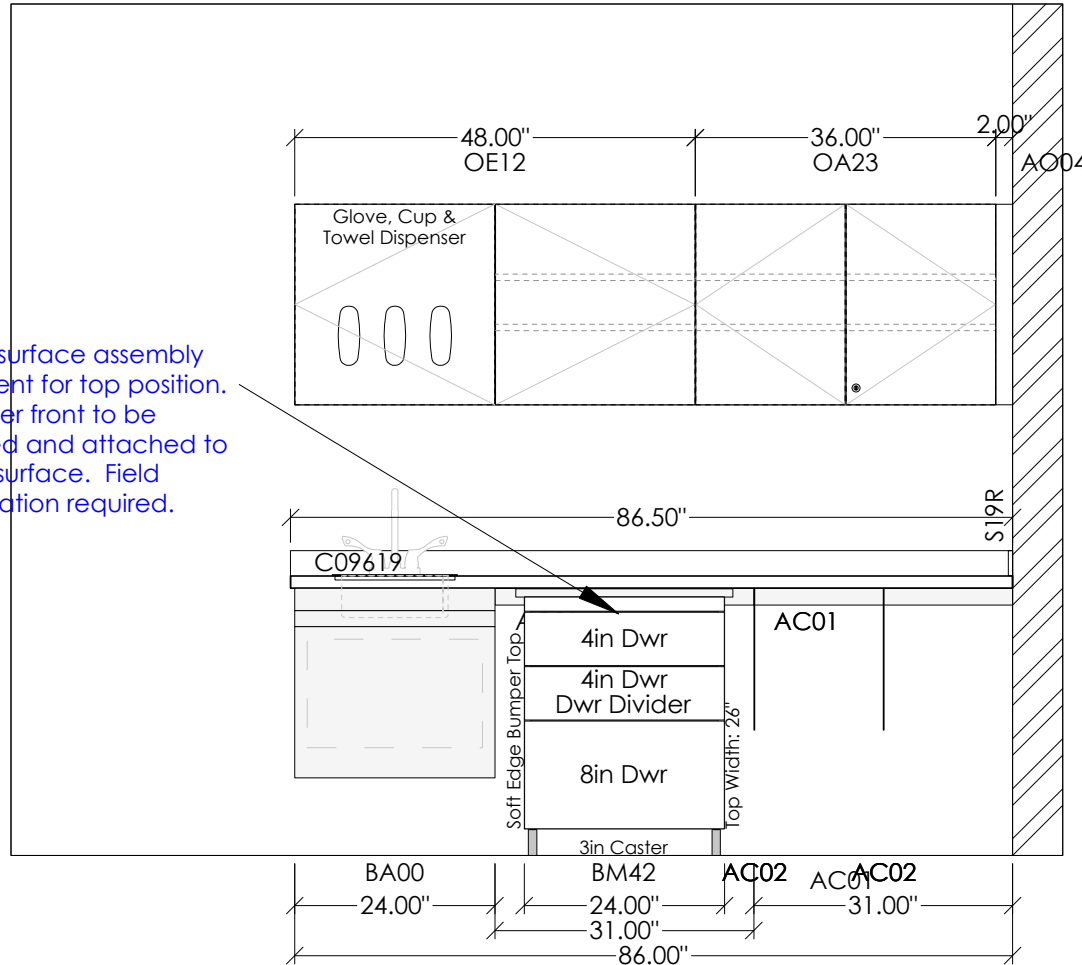
Signed Drawings Required To Process Order

(Signature)

(Date)



Writing surface assembly being sent for top position. 4" drawer front to be removed and attached to writing surface. Field modification required.





www.midmark.com
 design@midmark.com
 Phone: 1-800-MIDMARK

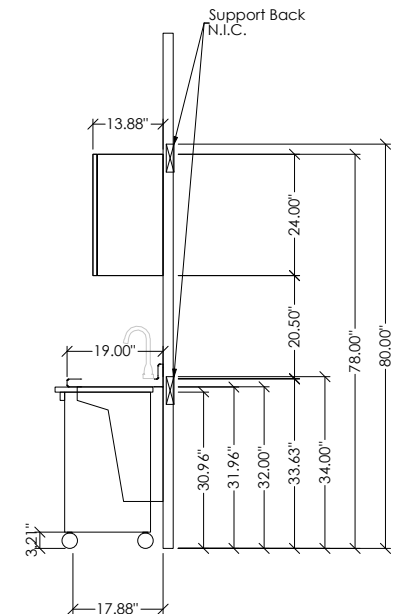
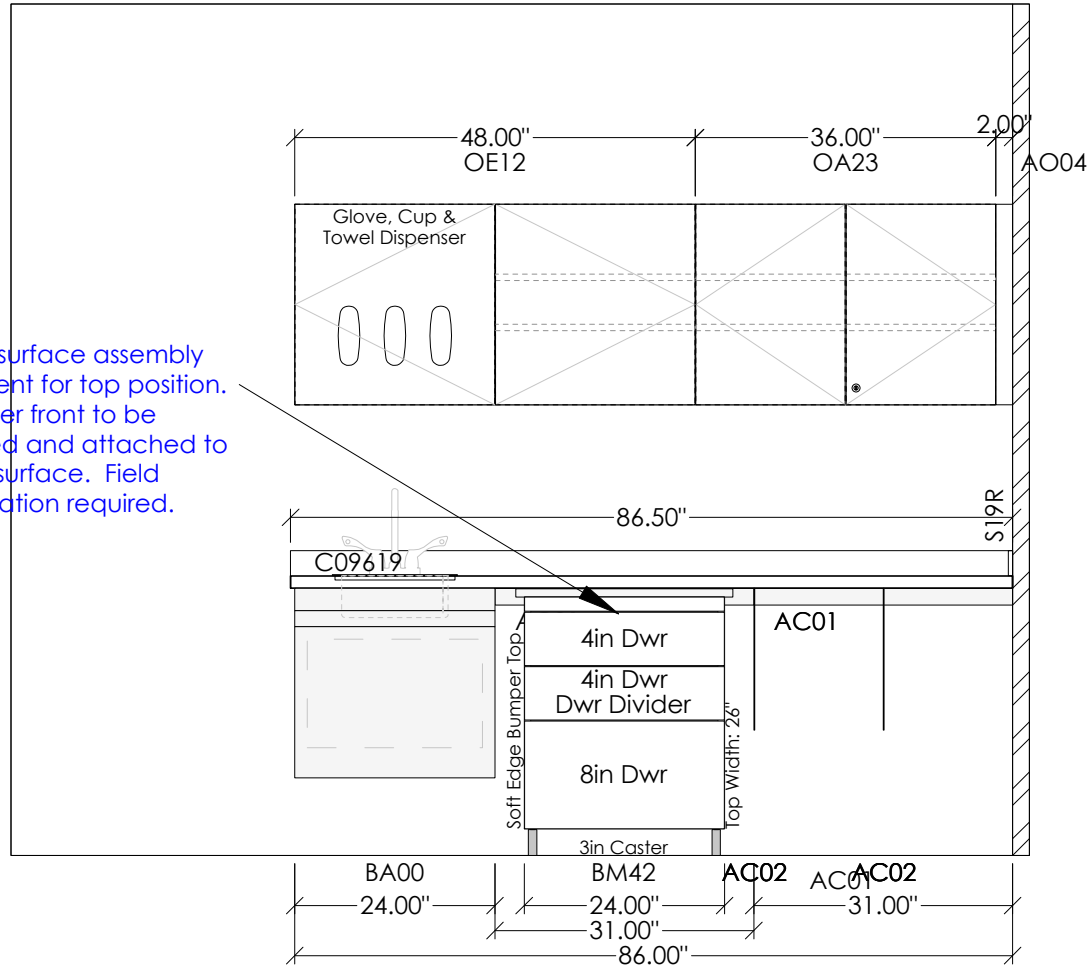
Project Name: Stilwell Cherokee Clinic		Project #: MS181039		Phase #: 01		Rev: K	
Base Finish:	487-Earth	Tasklight:	None	Top Material:	Solid Surface		
Upper Finish:	487-Earth	Grommet:	None	Top Color:	TBD Solid Surface		
Panel Style:	Serenity Panel	Ultrasonic:	None	Note:			
Handle:	Brushed Nickel TBD	Note:		Sink:	CSK-S131105-2		
Lock:	T105 Keyed Locking (See Elevation)	Note:		Faucet:	CFT-3GS4WB-2		

Signed Drawings Required To Process Order

(Signature)

(Date)

Writing surface assembly being sent for top position. 4" drawer front to be removed and attached to writing surface. Field modification required.





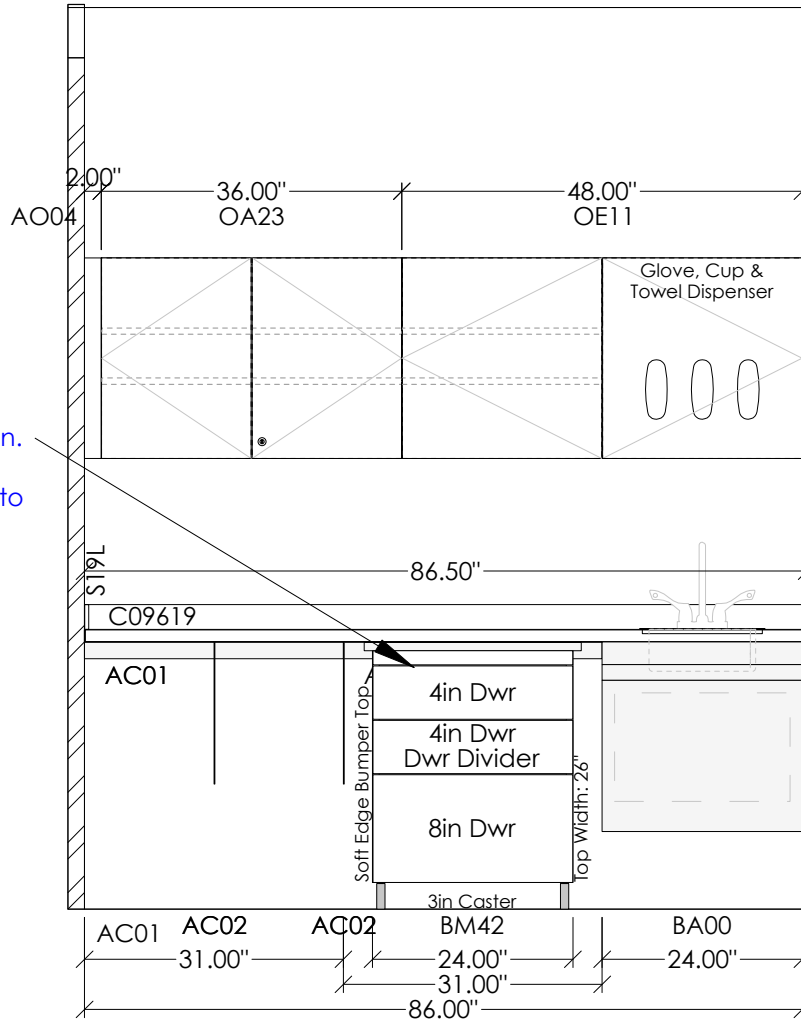
www.midmark.com
design@midmark.com
Phone: 1-800-MIDMARK

Project Name: Stilwell Cherokee Clinic		Project #: MS181039		Phase #: 01		Rev: K	
Base Finish:	487-Earth	Tasklight:	None	Top Material:	Solid Surface		
Upper Finish:	487-Earth	Grommet:	None	Top Color:	TBD Solid Surface		
Panel Style:	Serenity Panel	Ultrasonic:	None	Note:			
Handle:	Brushed Nickel TBD	Note:		Sink:	CSK-S131105-2		
Lock:	T105 Keyed Locking (See Elevation)	Note:		Faucet:	CFT-3GS4WB-2		

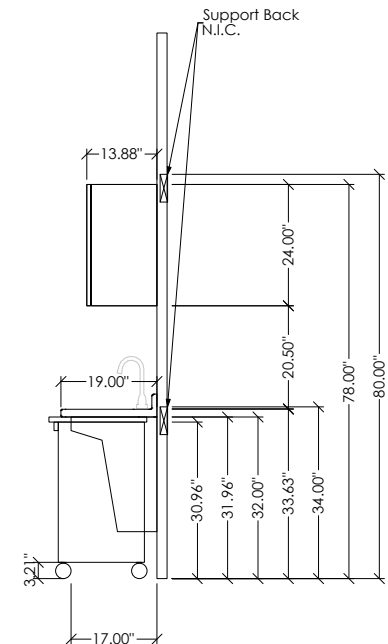
Signed Drawings Required To Process Order

(Signature)

(Date)



Writing surface assembly being sent for top position. 4" drawer front to be removed and attached to writing surface. Field modification required.





www.midmark.com
 design@midmark.com
 Phone: 1-800-MIDMARK

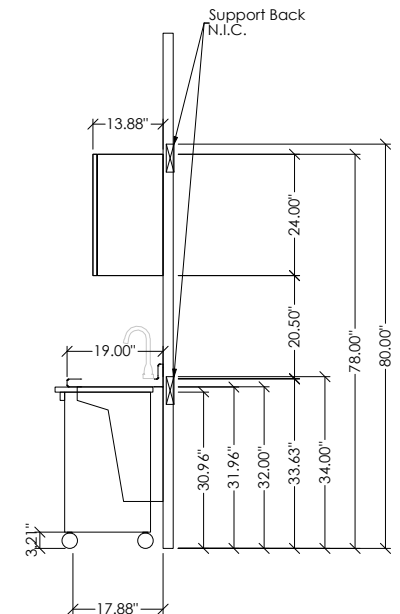
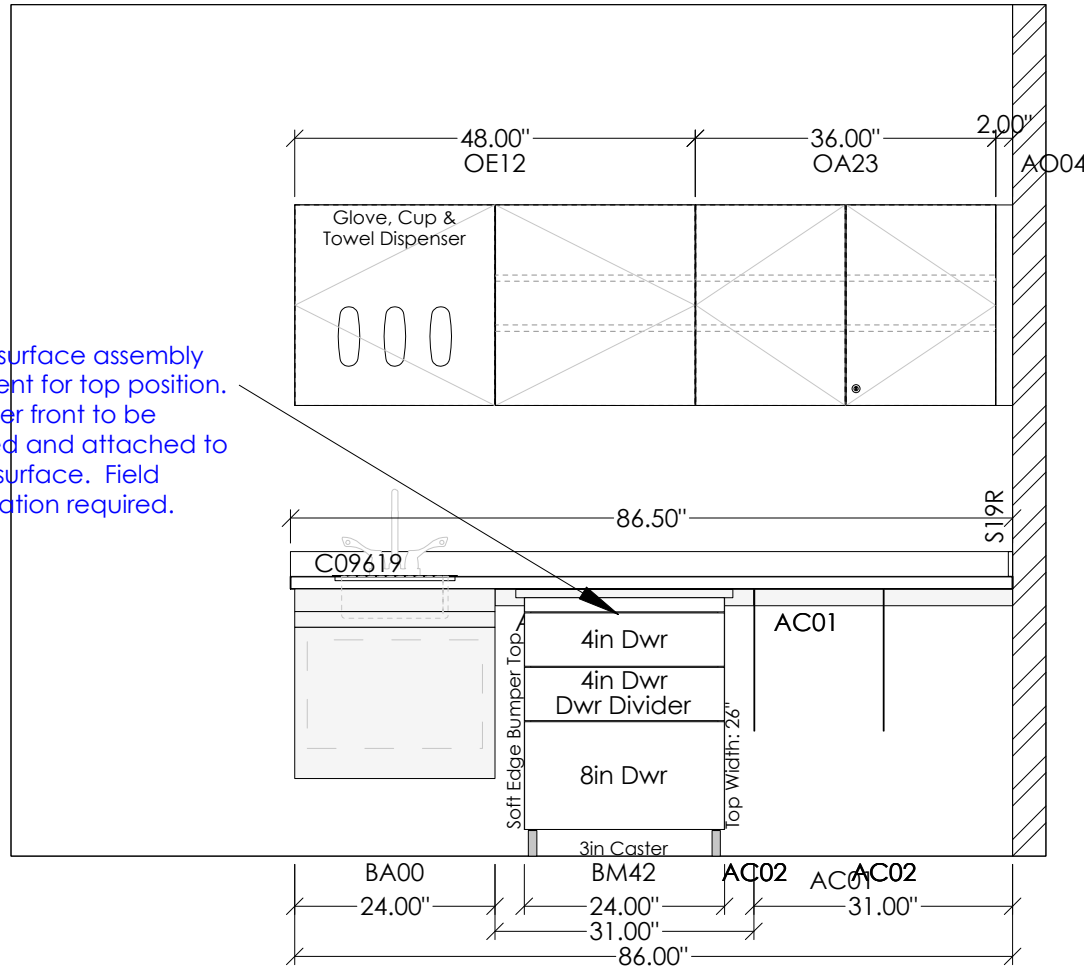
Project Name: Stilwell Cherokee Clinic		Project #: MS181039		Phase #: 01		Rev: K	
Base Finish:	487-Earth	Tasklight:	None	Top Material:	Solid Surface		
Upper Finish:	487-Earth	Grommet:	None	Top Color:	TBD Solid Surface		
Panel Style:	Serenity Panel	Ultrasonic:	None	Note:			
Handle:	Brushed Nickel TBD	Note:		Sink:	CSK-S131105-2		
Lock:	T105 Keyed Locking (See Elevation)	Note:		Faucet:	CFT-3GS4WB-2		

Signed Drawings Required To Process Order

(Signature) (Date)



Writing surface assembly being sent for top position. 4" drawer front to be removed and attached to writing surface. Field modification required.





www.midmark.com
design@midmark.com
Phone: 1-800-MIDMARK

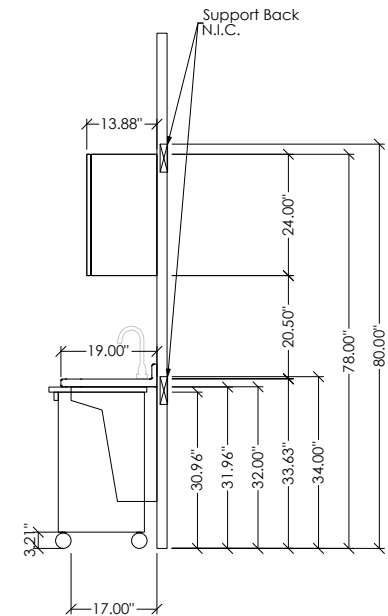
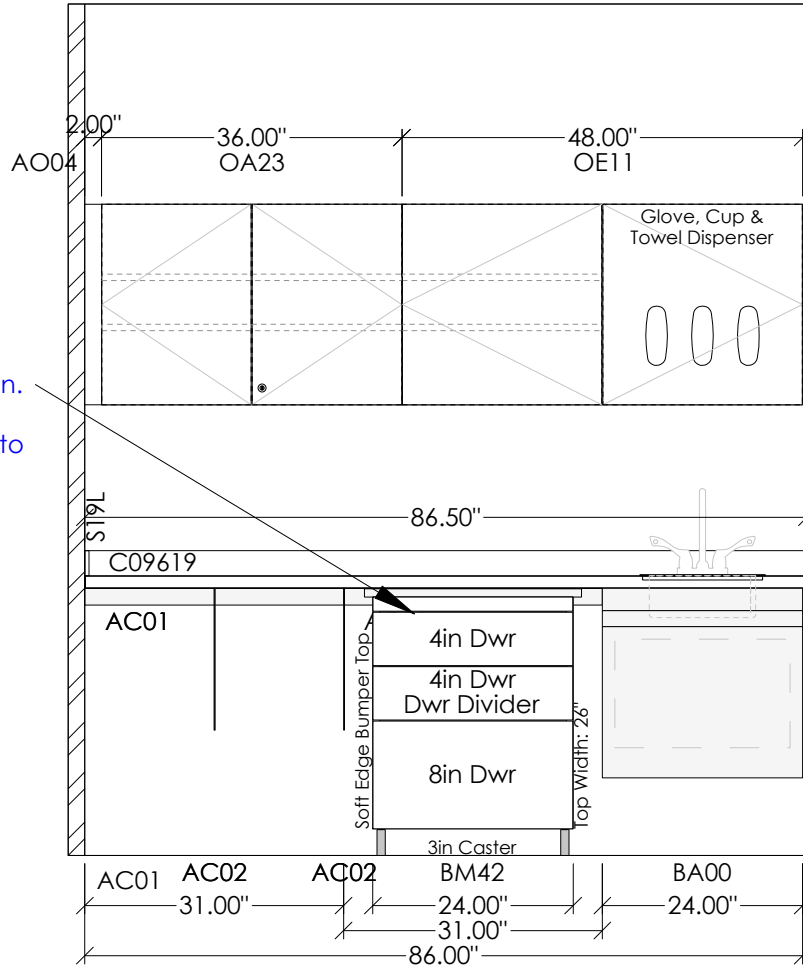
Project Name: Stilwell Cherokee Clinic		Project #: MS181039		Phase #: 01		Rev: K	
Base Finish:	487-Earth	Tasklight:	None	Top Material:	Solid Surface		
Upper Finish:	487-Earth	Grommet:	None	Top Color:	TBD Solid Surface		
Panel Style:	Serenity Panel	Ultrasonic:	None	Note:			
Handle:	Brushed Nickel TBD	Note:		Sink:	CSK-S131105-2		
Lock:	T105 Keyed Locking (See Elevation)	Note:		Faucet:	CFT-3GS4WB-2		

Signed Drawings Required To Process Order

(Signature)

(Date)

Writing surface assembly being sent for top position. 4" drawer front to be removed and attached to writing surface. Field modification required.





www.midmark.com
design@midmark.com
Phone: 1-800-MIDMARK

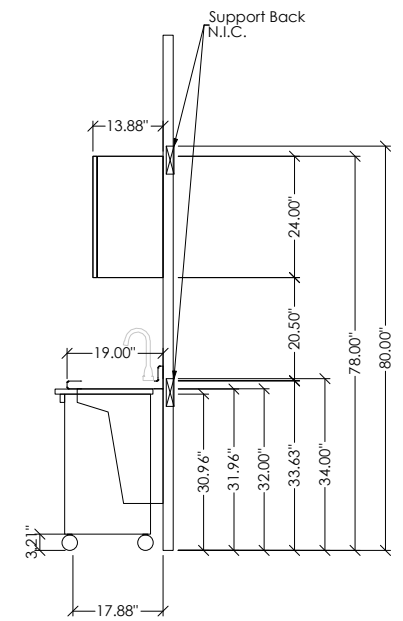
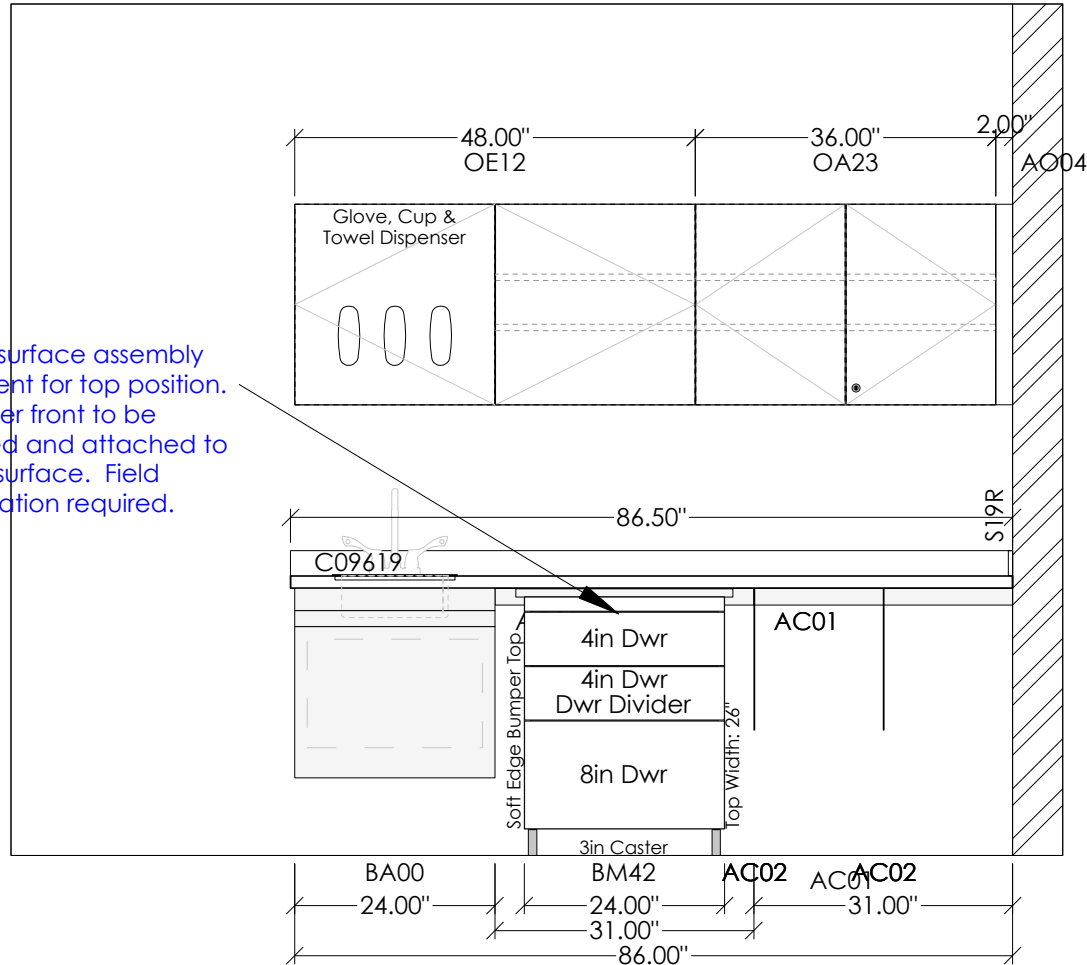
Project Name: Stilwell Cherokee Clinic		Project #: MS181039		Phase #: 01		Rev: K	
Base Finish:	487-Earth	Tasklight:	None	Top Material:	Solid Surface		
Upper Finish:	487-Earth	Grommet:	None	Top Color:	TBD Solid Surface		
Panel Style:	Serenity Panel	Ultrasonic:	None	Note:			
Handle:	Brushed Nickel TBD	Note:		Sink:	CSK-S131105-2		
Lock:	T105 Keyed Locking (See Elevation)	Note:		Faucet:	CFT-3GS4WB-2		

Signed Drawings Required To Process Order

(Signature)

(Date)

Writing surface assembly being sent for top position. 4" drawer front to be removed and attached to writing surface. Field modification required.





www.midmark.com
design@midmark.com
Phone: 1-800-MIDMARK

Project Name: **Stilwell Cherokee Clinic**

Project #: **MS181039**

Phase #: **01**

Rev: **K**

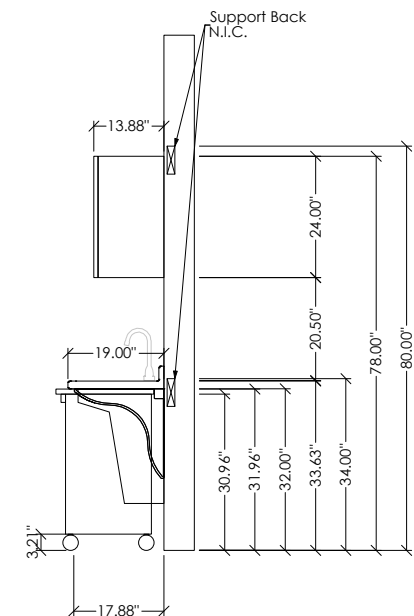
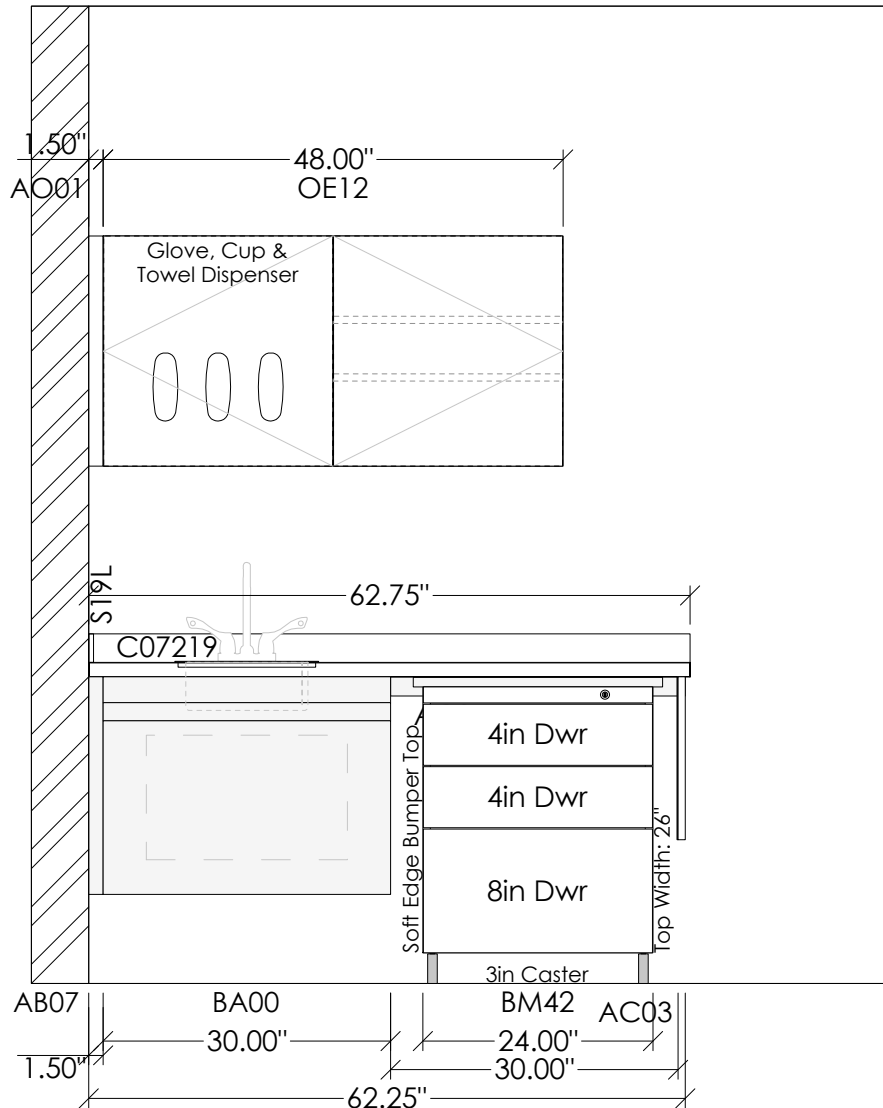
Signed Drawings Required To Process Order

Base Finish:	487-Earth	Tasklight:	None	Top Material:	Solid Surface
Upper Finish:	487-Earth	Grommet:	None	Top Color:	TBD Solid Surface
Panel Style:	Serenity Panel	Cutout:	None	Note:	
Handle:	Brushed Nickel TBD	Note:		Sink:	CSK-S131105-2
Lock:	T105 Keyed Locking (See Elevation)	Note:		Faucet:	CFT-3GS4WB-2

(Signature)

(Date)

See Cover Page For Terms and Conditions





www.midmark.com
design@midmark.com
Phone: 1-800-MIDMARK

Project Name: **Stilwell Cherokee Clinic**

Project #: **MS181039**

Phase #: **01**

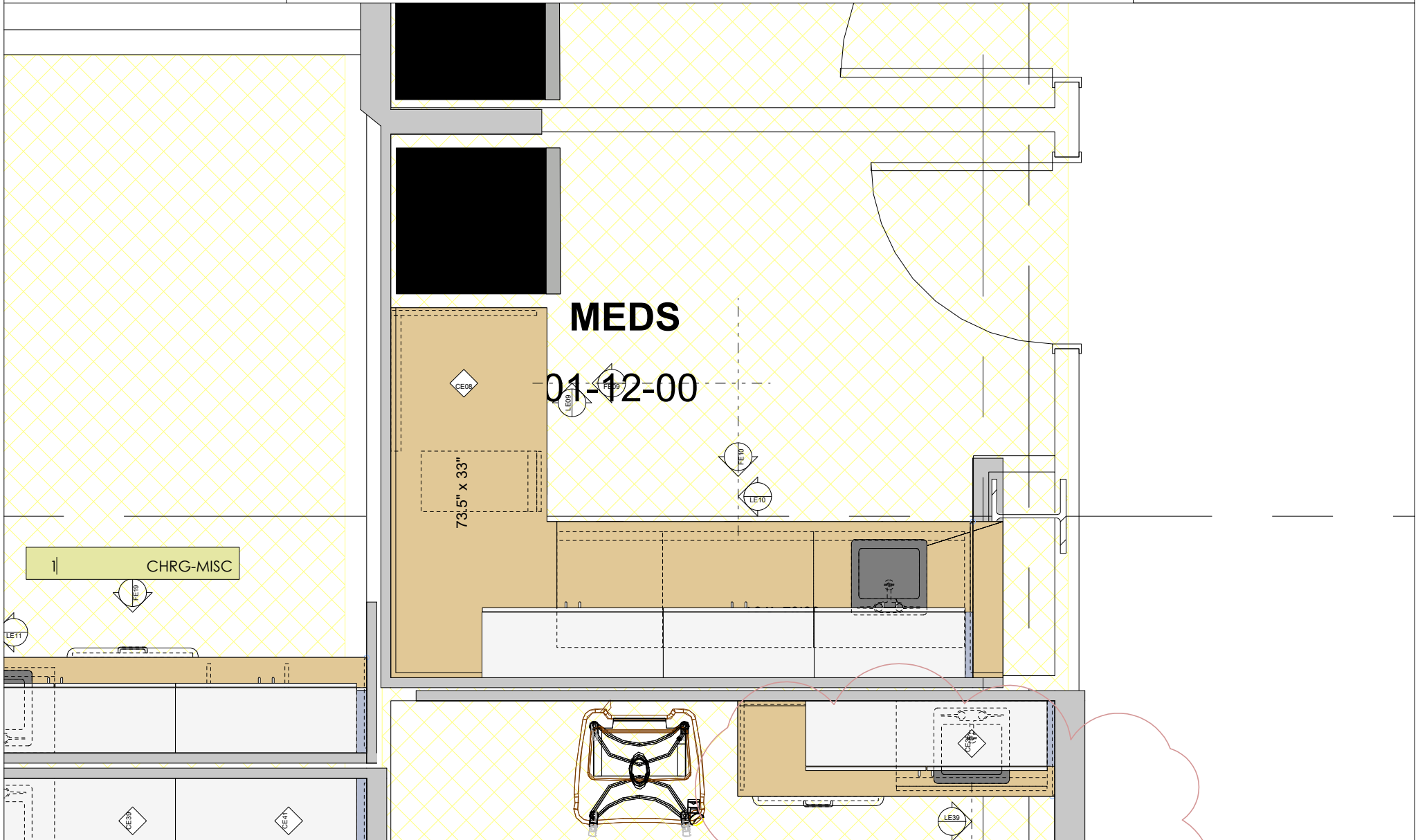
Rev: **K**

**Signed Drawings Required To
Process Order**

Room Plan View

(Signature)

(Date)

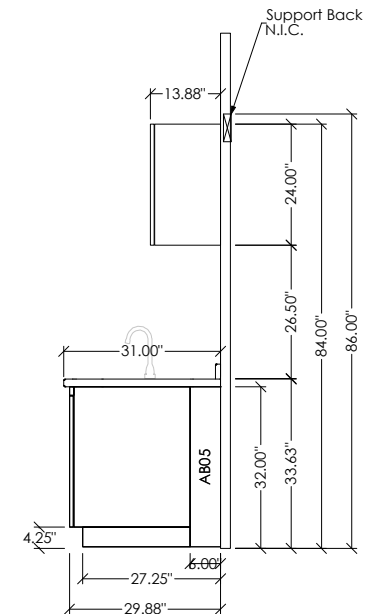
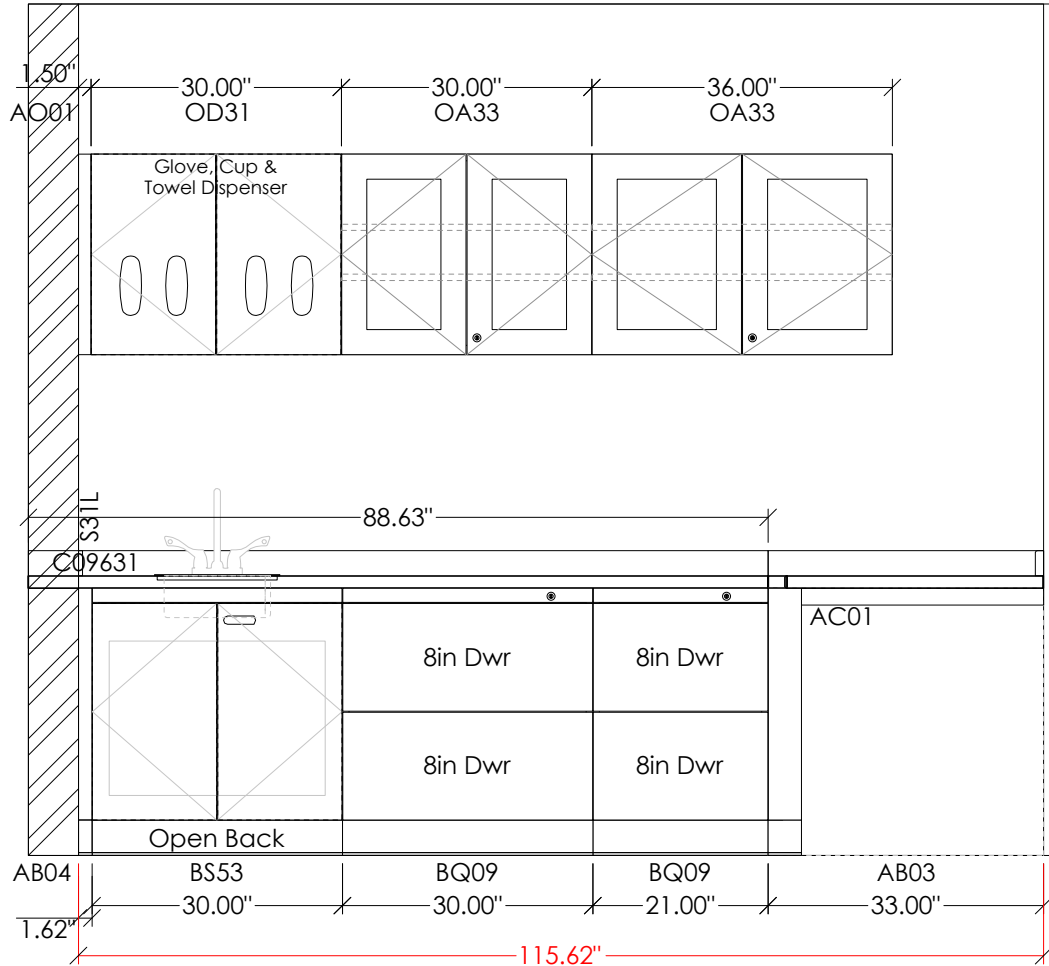


01-12-00 Meds



www.midmark.com
design@midmark.com
Phone: 1-800-MIDMARK

Project Name: Stilwell Cherokee Clinic		Project #: MS181039		Phase #: 01		Rev: K	
Base Finish:	487-Earth	Tasklight:	None	Top Material:	Solid Surface		Signed Drawings Required To Process Order <hr/> (Signature) (Date)
Upper Finish:	487-Earth	Grommet:	None	Top Color:	TBD Solid Surface		
Panel Style:	Serenity Panel	Ultrasonic:	None	Note:			
Handle:	Brushed Nickel TBD	Note:		Sink:	CSK-S131105-2		
Lock:	T105	Note:	Field Measurement Required	Faucet:	CFT-3GS4WB-2		





www.midmark.com
 design@midmark.com
 Phone: 1-800-MIDMARK

Project Name: **Stilwell Cherokee Clinic**

Project #: **MS181039**

Phase #: **01**

Rev: **K**

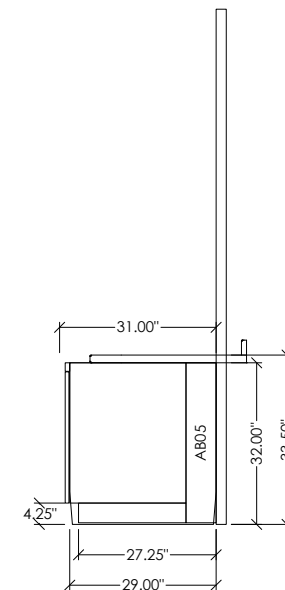
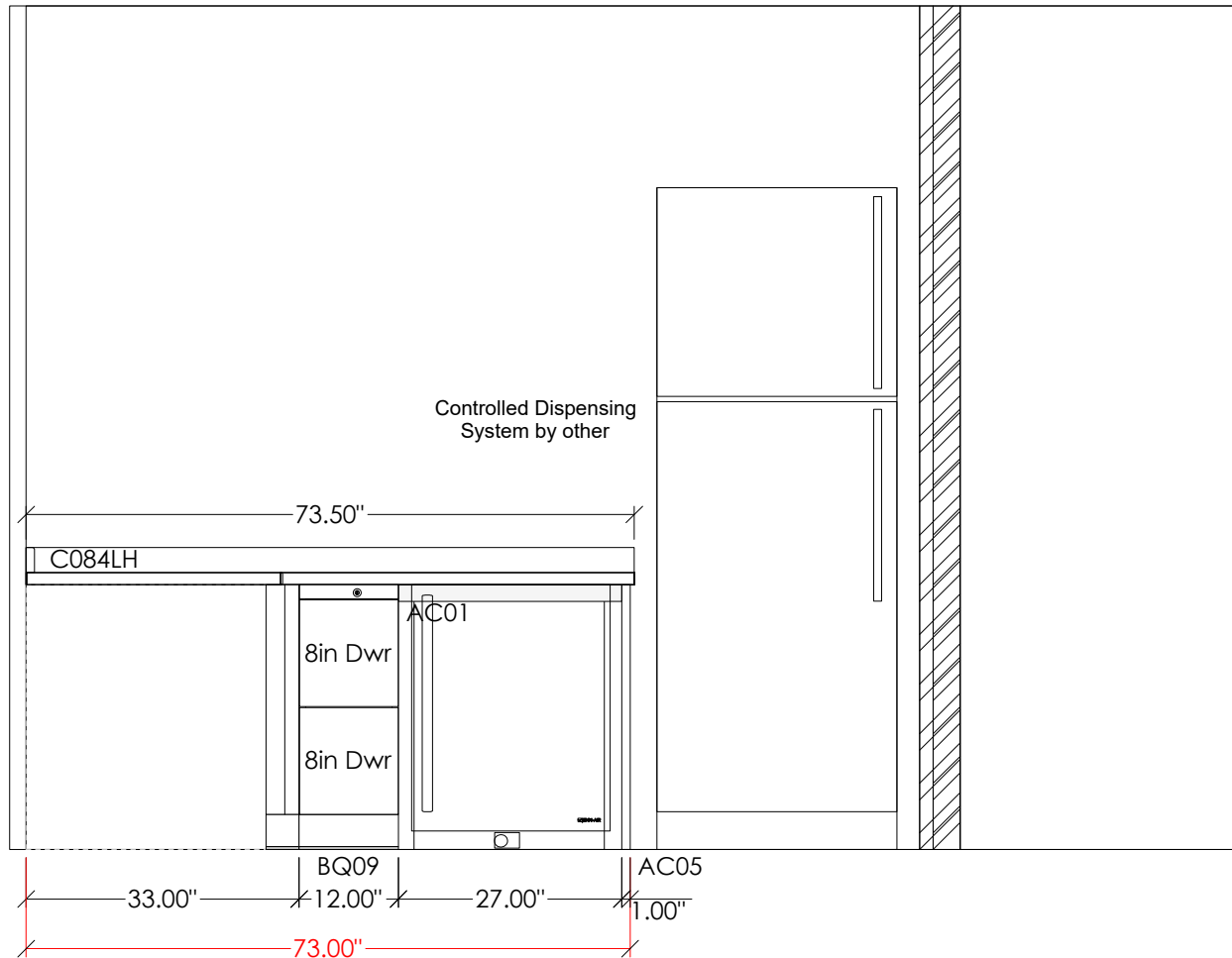
Signed Drawings Required To Process Order

Base Finish:	487-Earth	Tasklight:	None	Top Material:	Solid Surface
Upper Finish:		Grommet:	None	Top Color:	TBD Solid Surface
Panel Style:	Serenity Panel	Cutout:	None	Note:	
Handle:	Brushed Nickel TBD	Note:		Sink:	None
Lock:	T105 Keyed Locking (See Elevation)	Note:	Field Measurement Required	Faucet:	None

(Signature)

(Date)

See Cover Page For Terms and Conditions





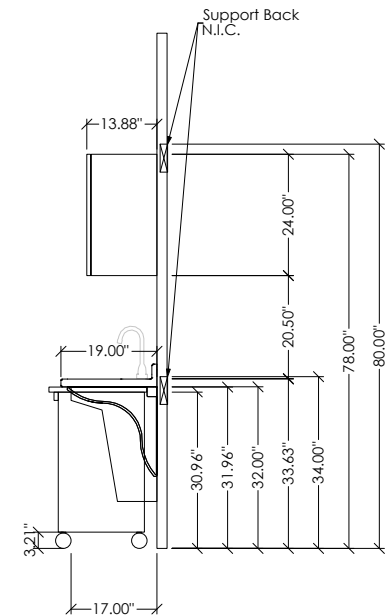
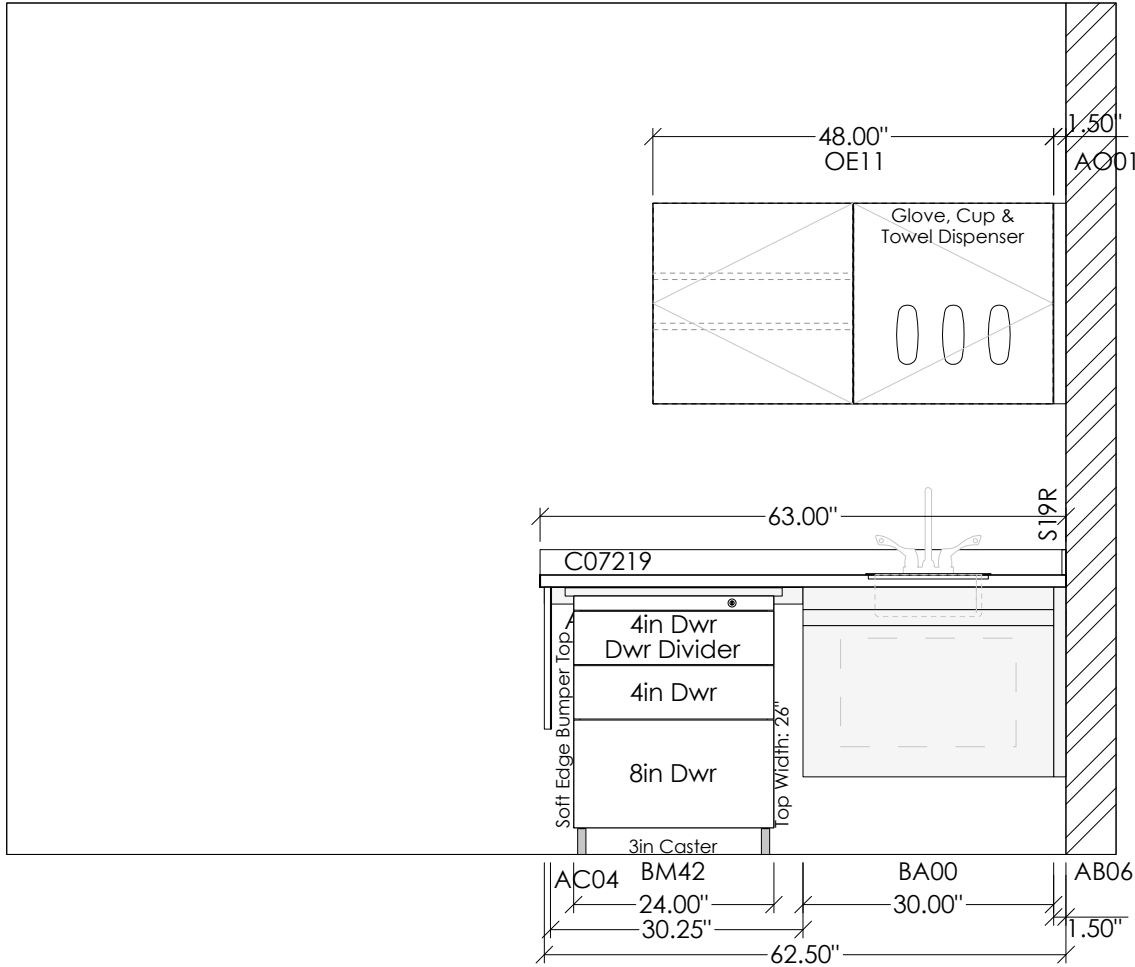
www.midmark.com
design@midmark.com
Phone: 1-800-MIDMARK

Project Name: Stilwell Cherokee Clinic		Project #: MS181039		Phase #: 01		Rev: K	
Base Finish:	487-Earth	Tasklight:	None	Top Material:	Solid Surface		
Upper Finish:	487-Earth	Grommet:	None	Top Color:	TBD Solid Surface		
Panel Style:	Serenity Panel	Ultrasonic:	None	Note:			
Handle:	Brushed Nickel TBD	Note:		Sink:	CSK-S131105-2		
Lock:	T105 Keyed Locking (See Elevation)	Note:		Faucet:	CFT-3GS4WB-2		

Signed Drawings Required To Process Order

(Signature)

(Date)





www.midmark.com
design@midmark.com
Phone: 1-800-MIDMARK

Project Name: **Stilwell Cherokee Clinic**

Project #: **MS181039**

Phase #: **01**

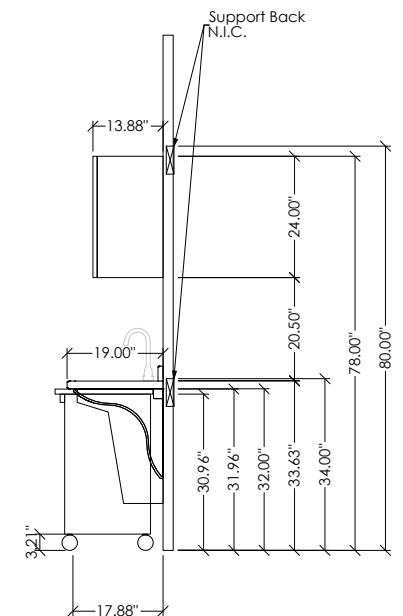
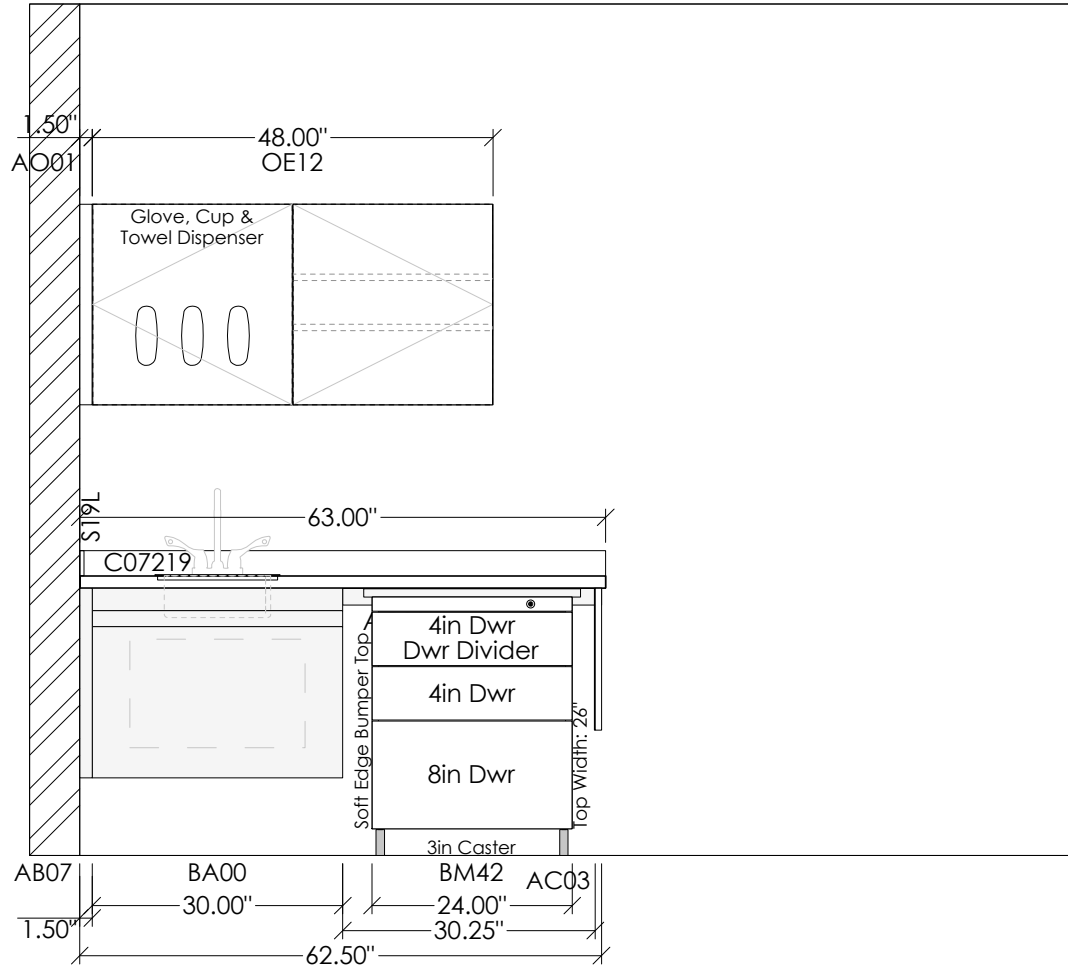
Rev: **K**

**Signed Drawings Required To
Process Order**

Base Finish:	487-Earth	Tasklight:	None	Top Material:	Solid Surface
Upper Finish:	487-Earth	Grommet:	None	Top Color:	TBD Solid Surface
Panel Style:	Serenity Panel	Ultrasonic:	None	Note:	
Handle:	Brushed Nickel TBD	Note:		Sink:	CSK-S131105-2
Lock:	T105 Keyed Locking (See Elevation)	Note:		Faucet:	CFT-3GS4WB-2

(Signature)

(Date)





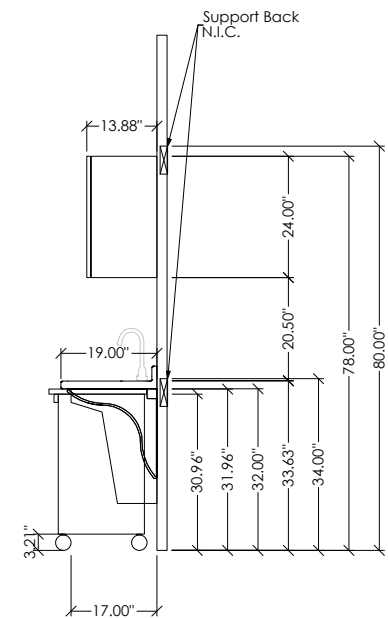
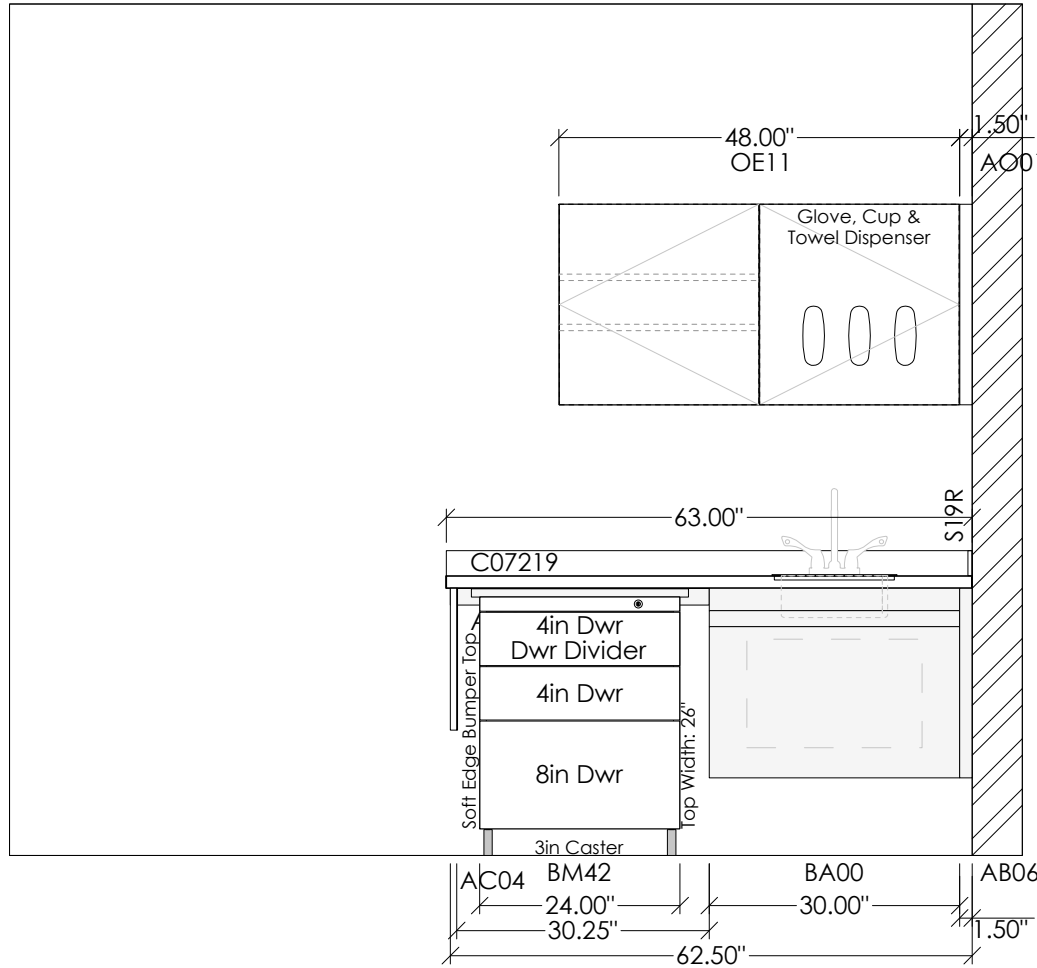
www.midmark.com
design@midmark.com
Phone: 1-800-MIDMARK

Project Name: Stilwell Cherokee Clinic		Project #: MS181039		Phase #: 01		Rev: K	
Base Finish:	487-Earth	Tasklight:	None	Top Material:	Solid Surface		
Upper Finish:	487-Earth	Grommet:	None	Top Color:	TBD Solid Surface		
Panel Style:	Serenity Panel	Ultrasonic:	None	Note:			
Handle:	Brushed Nickel TBD	Note:		Sink:	CSK-S131105-2		
Lock:	T105 Keyed Locking (See Elevation)	Note:		Faucet:	CFT-3GS4WB-2		

Signed Drawings Required To Process Order

(Signature)

(Date)





www.midmark.com
design@midmark.com
Phone: 1-800-MIDMARK

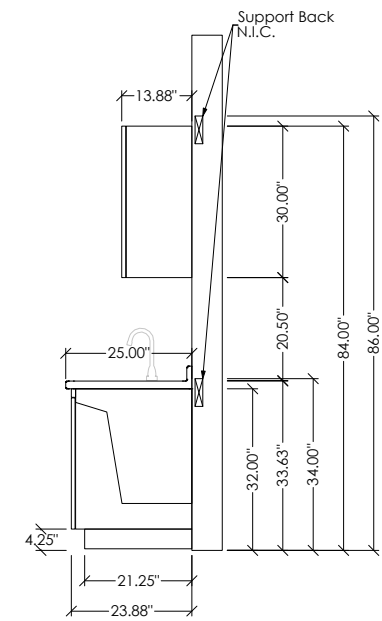
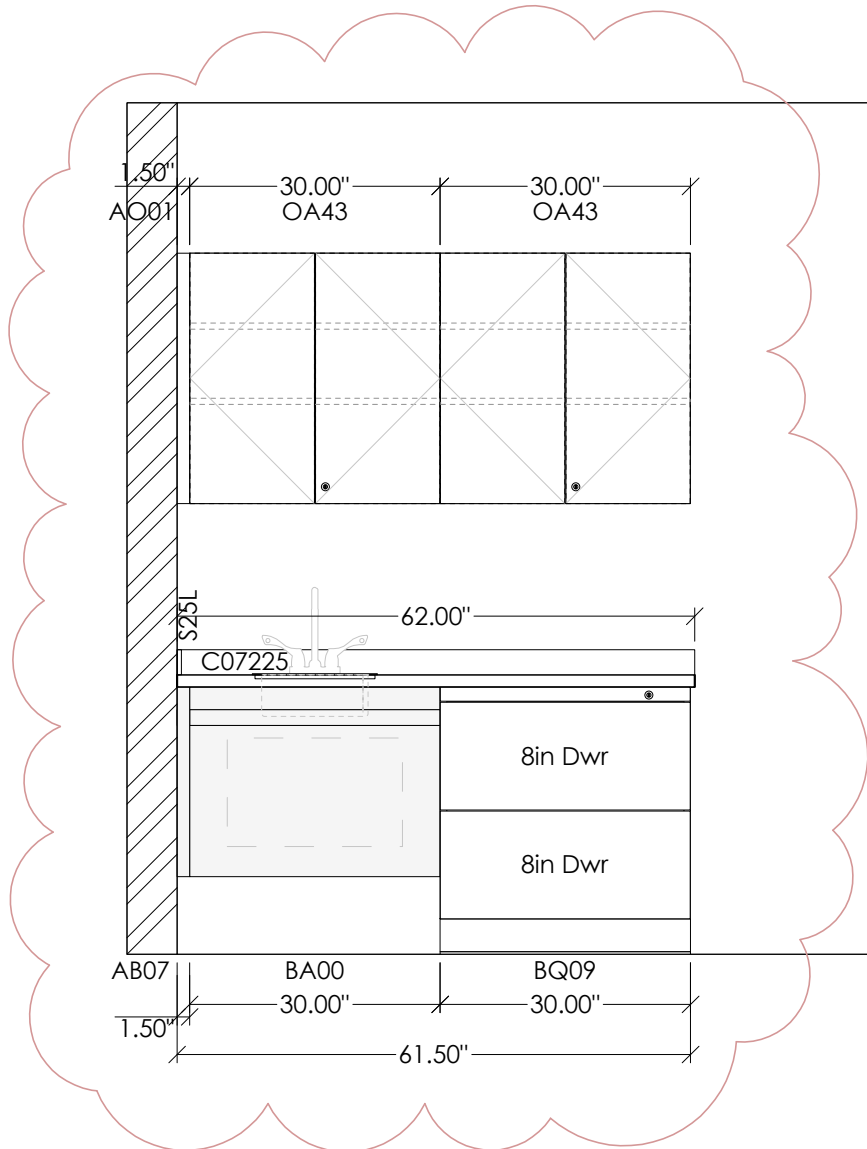
Project Name: Stilwell Cherokee Clinic		Project #: MS181039		Phase #: 01		Rev: K	
Base Finish:	487-Earth	Tasklight:	None	Top Material:	Solid Surface		
Upper Finish:	487-Earth	Grommet:	None	Top Color:	TBD Solid Surface		
Panel Style:	Serenity Panel	Ultrasonic:	None	Note:			
Handle:	Brushed Nickel TBD	Note:		Sink:	CSK-S131105-2		
Lock:	T105 Keyed Locking (See Elevation)	Note:		Faucet:	CFT-3GS4WB-2		

Signed Drawings Required To Process Order

(Signature)

(Date)

Plumbing relocated from architectural plans.





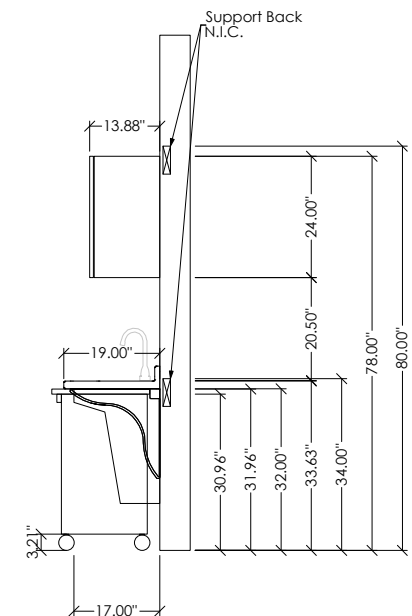
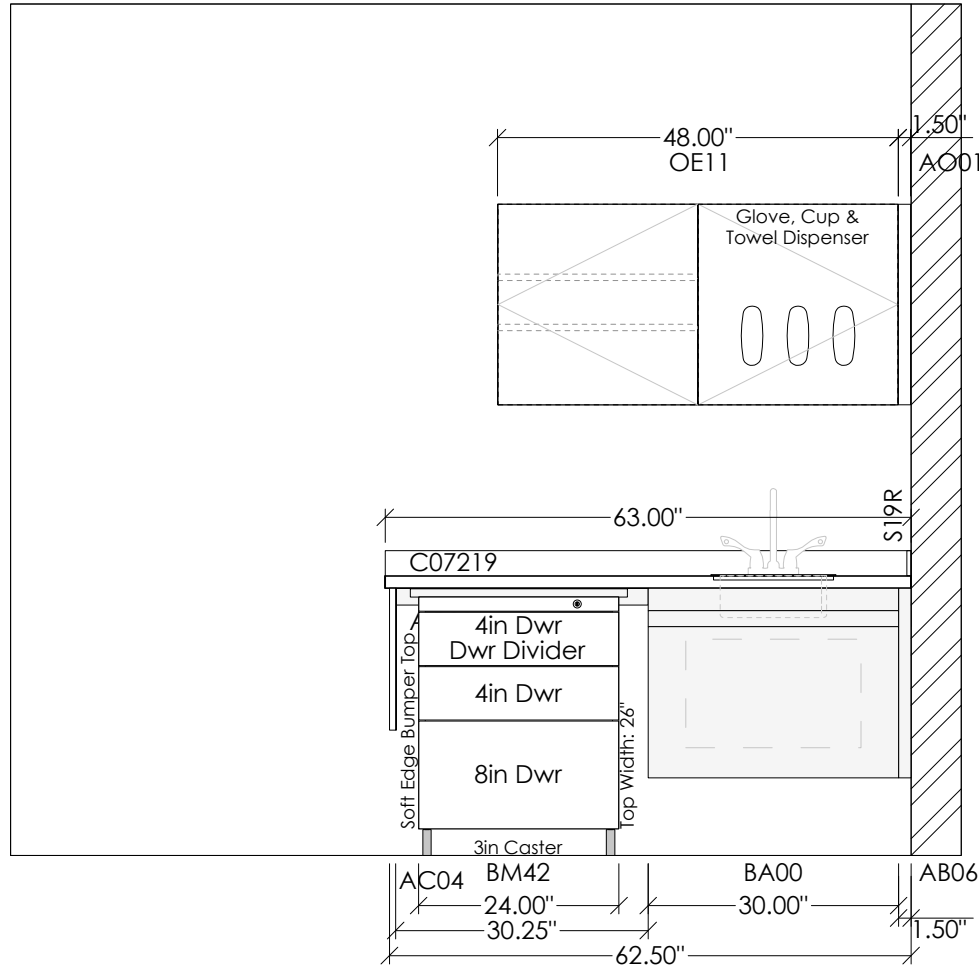
www.midmark.com
design@midmark.com
Phone: 1-800-MIDMARK

Project Name: Stilwell Cherokee Clinic		Project #: MS181039		Phase #: 01		Rev: K	
Base Finish:	487-Earth	Tasklight:	None	Top Material:	Solid Surface		
Upper Finish:	487-Earth	Grommet:	None	Top Color:	TBD Solid Surface		
Panel Style:	Serenity Panel	Ultrasonic:	None	Note:			
Handle:	Brushed Nickel TBD	Note:		Sink:	CSK-S131105-2		
Lock:	T105 Keyed Locking (See Elevation)	Note:		Faucet:	CFT-3GS4WB-2		

Signed Drawings Required To Process Order

(Signature)

(Date)





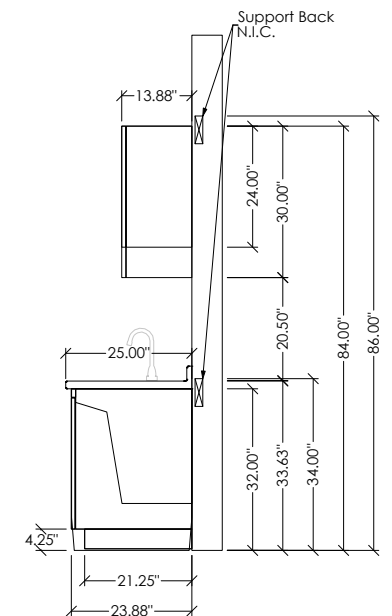
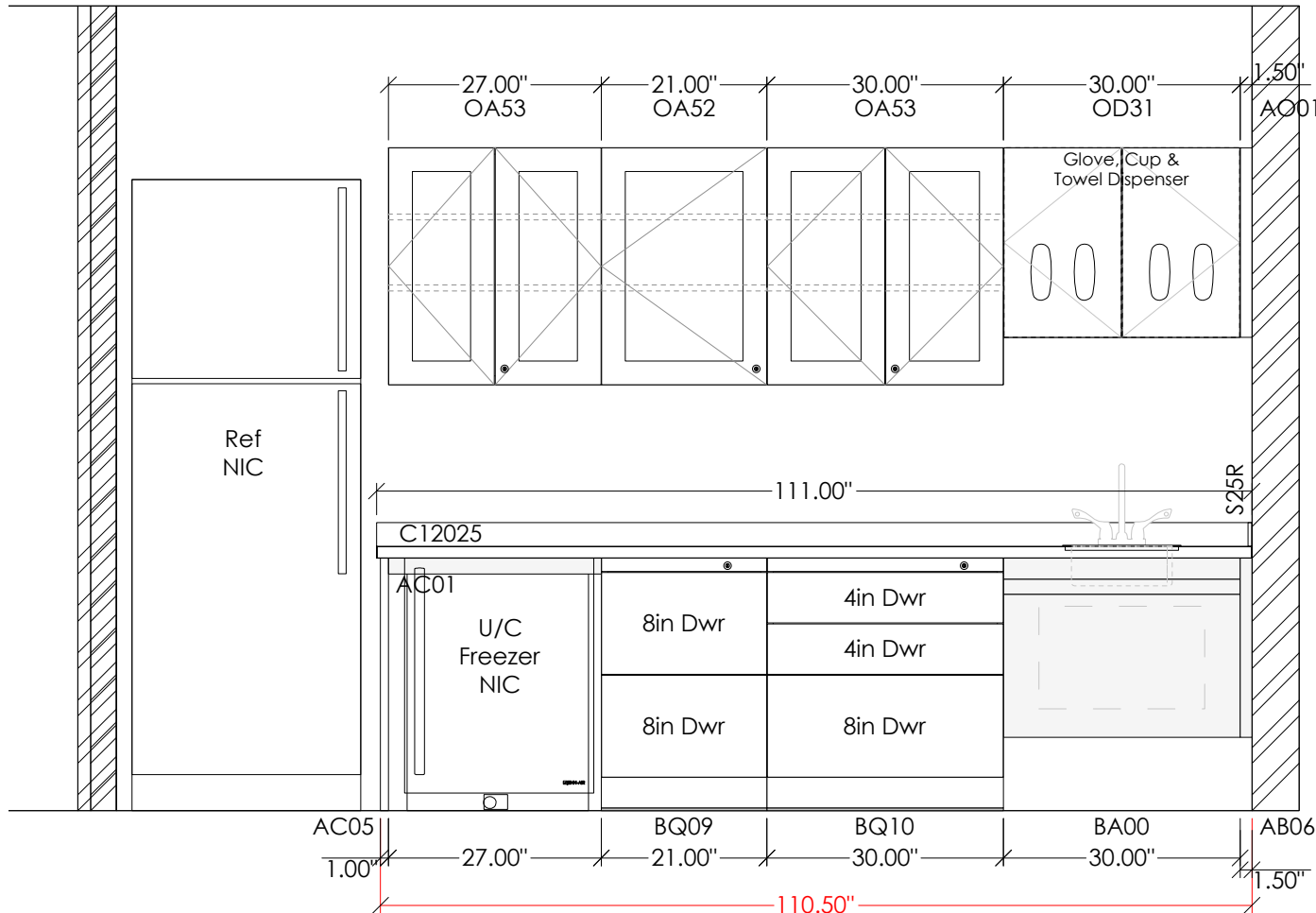
www.midmark.com
design@midmark.com
Phone: 1-800-MIDMARK

Project Name: Stilwell Cherokee Clinic		Project #: MS181039		Phase #: 01		Rev: K	
Base Finish:	487-Earth	Tasklight:	None	Top Material:	Solid Surface		
Upper Finish:	487-Earth	Grommet:	None	Top Color:	TBD Solid Surface		
Panel Style:	Serenity Panel	Cutout:	None	Note:			
Handle:	Brushed Nickel TBD	Note:		Sink:	CSK-S131105-2		
Lock:	T105 Keyed Locking (See Elevation)	Note:	Field Measurement Required	Faucet:	CFT-3GS4WB-2		

Signed Drawings Required To Process Order

(Signature) (Date)

See Cover Page For Terms and Conditions



Design Considerations:

- * Tops that exceed 144" or form an "L" or "U" shape will be sent as multiple pieces and require field seaming by a qualified solid surface fabricator.
- * Integrated and undermount sinks and chutes will be attached.
- * Sink and faucet cutouts provided only if sink and faucet are purchased from Midmark.
- * Tops will be manufactured based on the field measurements provided at the time of order. Tops may be sent long. See elevations for exact countertop width.
- * Side splashes next to tall towers and drop down ultrasonic areas will be nonwrapped (see detail drawing).
- * See color guide for standard color options. Confirm availability for nonstandard color options. Extended lead time will apply.

Material:

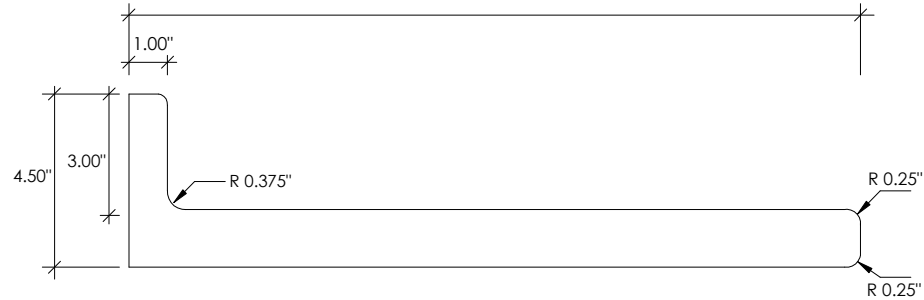
- * 1/2" thick solid surface material.

Features:

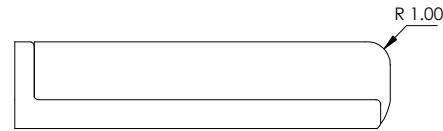
- * Outside corners of solid surface tops will have 3/8" radius.
- * Standard countertop overhang for base cabinets is 1/2".
- * Integrated solid surface sink will be
- * Loose set on side splash available.

Detail drawings:

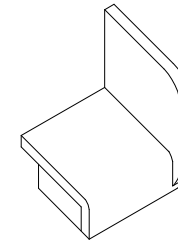
See Side Elevation



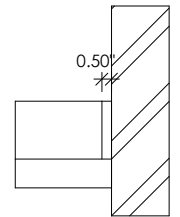
Countertop Detail



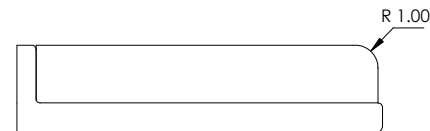
Wrapped Side Splash Detail



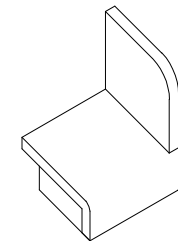
Wrapped Side Splash
Front Edge 3D



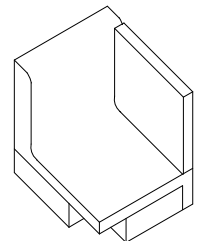
Side Splash Front Detail



Non Wrapped Side Splash Detail



Nonwrapped Side Splash
Front Edge 3D



Side Splash &
Backsplash 3D



Countertop Detail Sheet

Solid Surface Detail D Set-On Backsplash 1" x 3"

Design Considerations:

- * Tops that exceed 144" or form an "L" or "U" shape will be sent as multiple pieces and require field seaming by a qualified solid surface fabricator.
- * Integrated and undermount sinks and chutes will be attached.
- * Sink and faucet cutouts provided only if sink and faucet are purchased from Midmark.
- * Tops will be manufactured based on the field measurements provided at the time of order. Tops may be sent long. See elevations for exact countertop width.
- * Side splashes next to tall towers and drop down ultrasonic areas will be nonwrapped (see detail drawing).
- * See color guide for standard color options. Confirm availability for nonstandard color options. Extended lead time will apply.

Material:

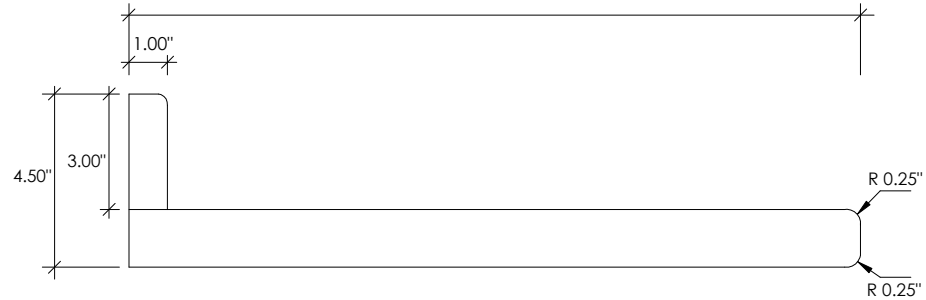
- * 1/2" thick solid surface material.

Features:

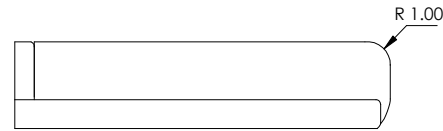
- * Outside corners of solid surface tops will have 3/8" radius.
- * Standard countertop overhang for base cabinets is 1/2".
- * Integrated solid surface sink will be
- * Loose set on side splash available.

Detail drawings:

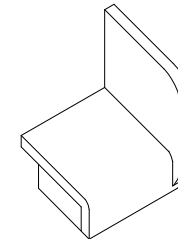
See Side Elevation



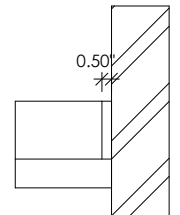
Countertop Detail



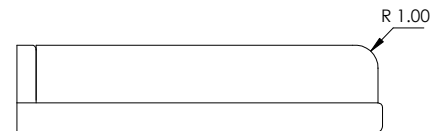
Wrapped Side Splash Detail



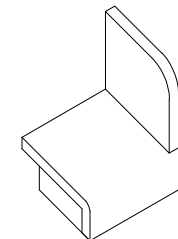
Wrapped Side Splash
Front Edge 3D



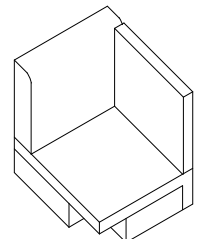
Side Splash Front Detail



Non Wrapped Side Splash Detail



Nonwrapped Side Splash
Front Edge 3D



Side Splash &
Backsplash 3D



Casework Detail Sheet

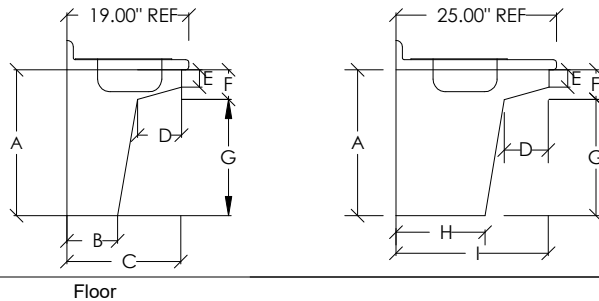
Wall Mount Sink

For Reference Only. Not all cabinet depths may be used in project quotation.

Wall Mount Sink BA00 Cabinet

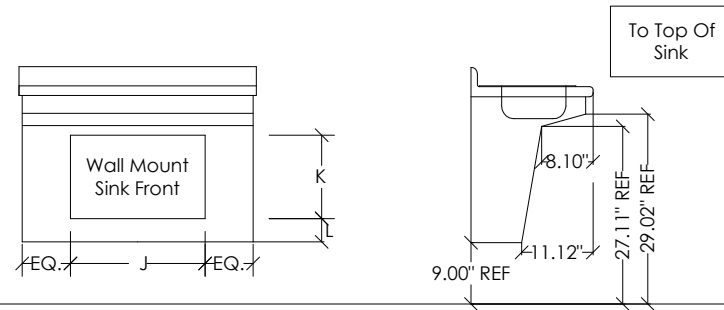
Cabinet Clearance Guidelines:

Letter	Length
A	22.71"
B	7.88"
C	17.75"
D	6.85"
E	2.69"
F	4.40"
G	18.11"
H	13.88"
I	23.75"
J	21.00"
K	13.00"
L	3.62"



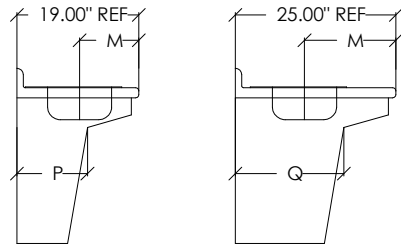
Floor

ADA Compliance Reference



Sink Clearance Guidelines:

Letter	Note	Length
M	Min Drain	10.13
P	Frame Depth	10.90"
Q	Frame Depth	16.90"



Floor

Sink Options:

Sink Name	Laminate		Corian	
	18 Deep	24 Deep	18 Deep	24 Deep
CSK-S131105-1	X	X	X	X
CSK-S131105-2	X	X	X	X
CSK-S11D05-0	X	X	X	X
CSK-S211605-3		X		X
CSK-D141605-3		X		X
Corian 802			X*	X

X* - Faucet must be side

Disclaimer

Sink cabinets are manufactured to be compliant with the Federal ADA Standards along with other local and state building codes. Please confirm local standards to ensure compliance.

Additional plumbing connections may be required for installation, not provided by Midmark.