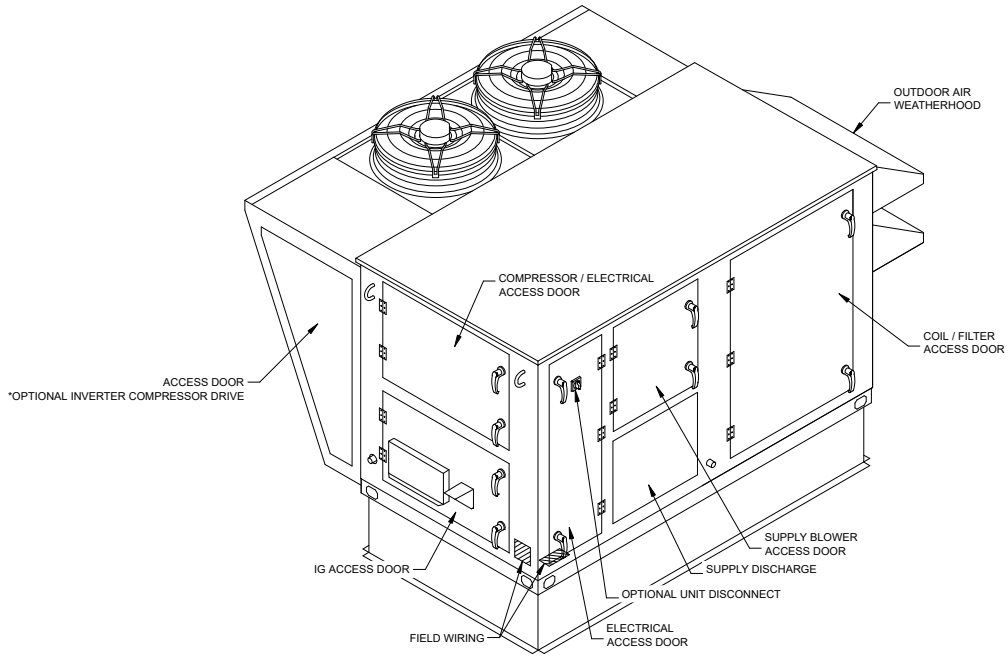
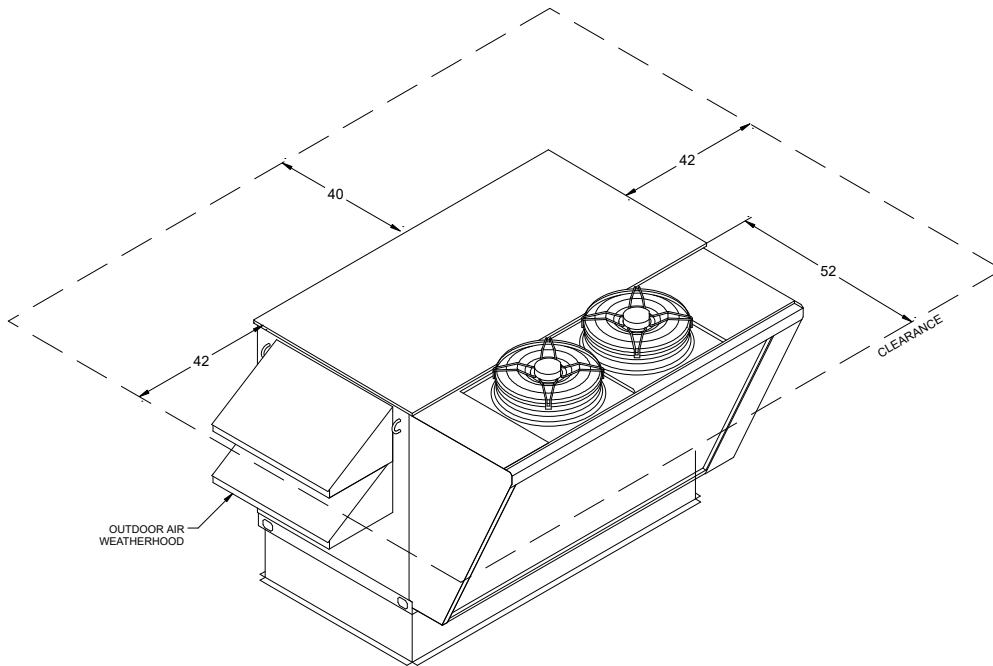


Isometric Drawings

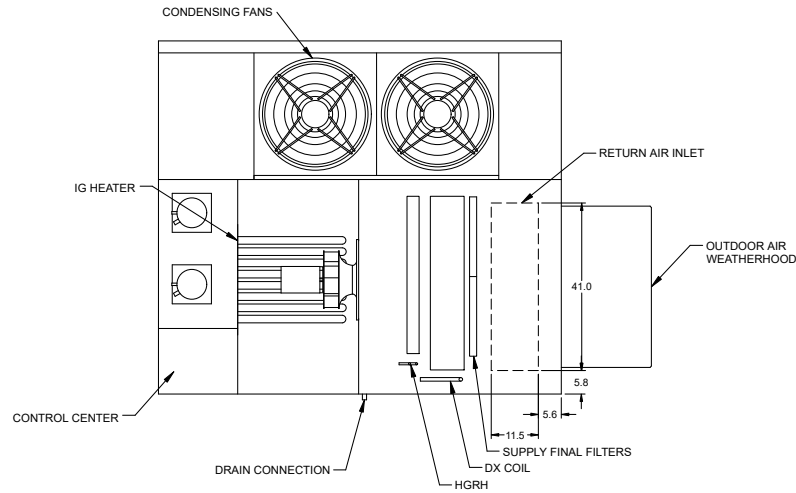


Back Right Isometric

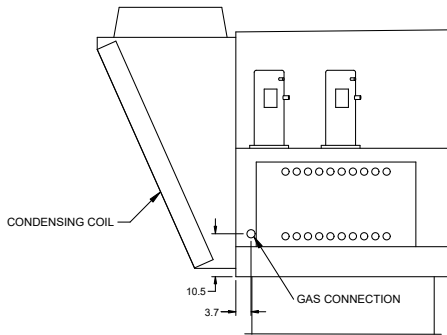


Front Left Isometric

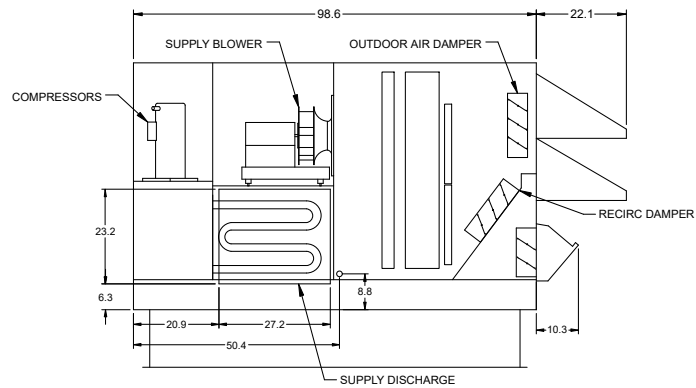
Overview Drawings



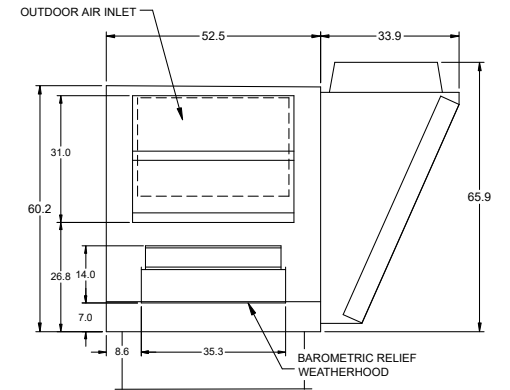
Plan



Left End



Elevation



Right End