

NAVAJO

MANUFACTURED BY:
 CXT INC. (TX)
 901 N. HIGHWAY 77
 HILLSBORO, TX 76645

SITE ADDRESS:
 VANITA LAKE PARK
 36.67856, -95.11955
 VANITA, OK 74301

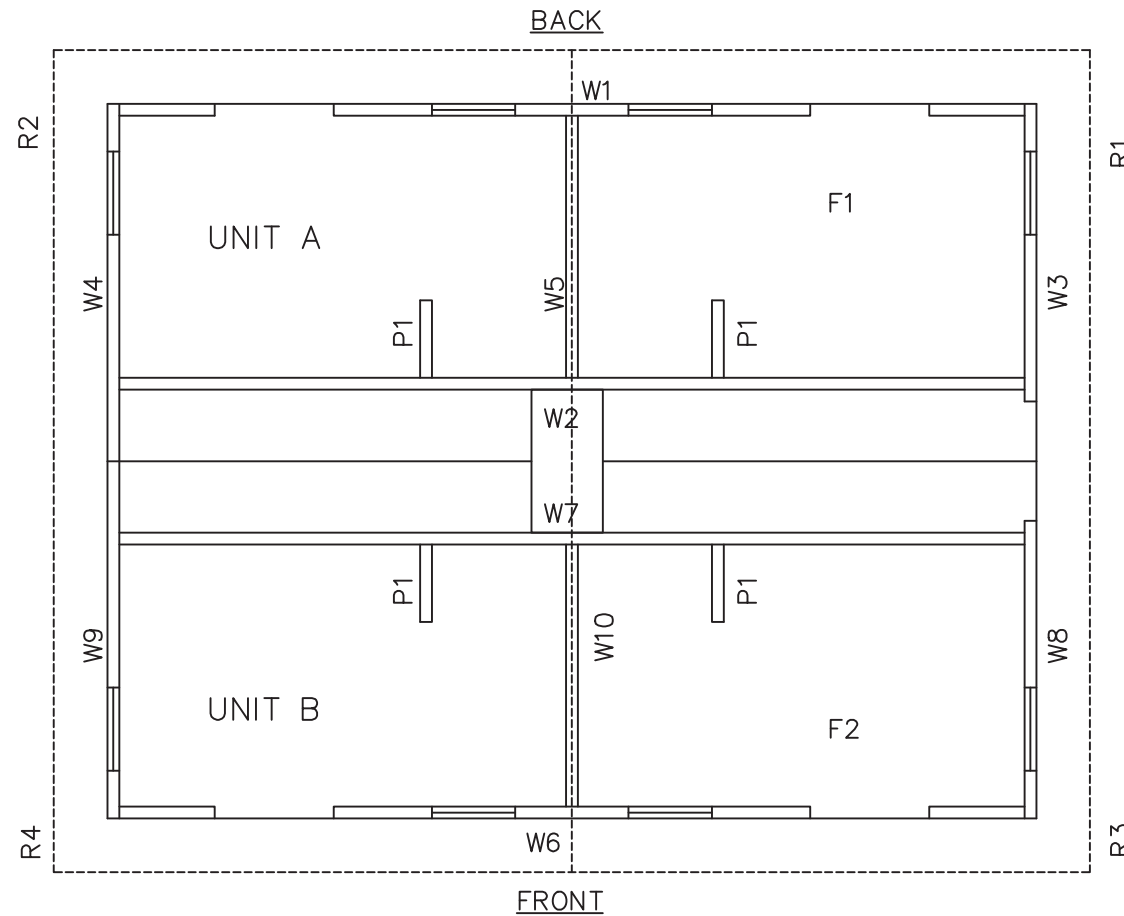
INDEX OF DRAWINGS

NO.	TITLE
N-01	COVER SHEET
N-02	RIGGING DETAILS
N-03	FLOOR PLAN
N-04	BUILDING ELEVATIONS
N-05	BUILDING ELEVATIONS
N-06	INTERIOR RESTROOM ELEVATIONS
N-07	DETAILS
N-08	WALL PANEL MARK W1
N-09	WALL PANEL MARK W2
N-10	WALL PANEL MARK W2-BLOCK-OUTS
N-11	WALL PANEL MARK W3
N-12	WALL PANEL MARK W4
N-13	WALL PANEL MARK W5
N-14	WALL PANEL MARK W6
N-15	WALL PANEL MARK W7
N-16	WALL PANEL MARK W7-BLOCK-OUTS
N-17	WALL PANEL MARK W8
N-18	WALL PANEL MARK W9
N-19	WALL PANEL MARK W10
N-20	FLOOR SLAB MARK F1
N-21	FLOOR SLAB MARK F2
N-22	ROOF SLAB MARK R1
N-23	ROOF SLAB MARK R2
N-24	ROOF SLAB MARK R3
N-25	ROOF SLAB MARK R4
N-26	INTERIOR PARTITION MARK P1
N-27	FOUNDATION DETAIL
N-28	FLOOR DRAIN LOCATIONS & BELOW FLOOR PIPING
N-29	PLUMBING PLANS
N-30	PLUMBING DETAILS, DIAGRAMS & SCHEDULE
N-31	ELECTRICAL NOTES & SCHEDULE
N-32	ELECTRICAL PLANS & LEGEND
N-33	EMBEDDED MATERIALS
N-34	EMBEDDED MATERIALS

NOTES

- BUILDING IS DESIGNED TO COMPLY WITH THE 2018 INTERNATIONAL BUILDING CODE.
- DESIGN COMPLIES WITH THE PROVISIONS OF THE 2018 IBC FOR THE FOLLOWING LOADS:
 GROUND SNOW LOAD = 250 PSF
 ROOF SNOW LOAD = 210 PSF
 FLOOR LOAD = 400 PSF
 IBC DESIGN SPECTRAL RESPONSE $S_s = 0.498$, $S_1 = 0.141$
 SITE CLASS D
 RISK CATEGORY: II
 SEISMIC DESIGN CATEGORY: D
 BEARING WALL SYSTEM $R = 4.0$
 A-5 INTERMEDIATE PRECAST SHEARWALLS
 WIND - $V = 150$ MPH
 WIND - $V_{ASD} = 116$ MPH
 WIND EXPOSURE C
 ***BUILDING IS NOT TO BE PLACED IN A LOCATION WHERE LOADS EXCEED THE VALUES PROVIDED ABOVE
- CONSTRUCTION TYPE: V-B
 OCCUPANCY: U
 EXTERIOR WALLS: 1-HR RATED PER IBC TABLE 721.1(2), ITEM 4-1.1
 MINIMUM FIRE SEPARATION DISTANCE: 10' PER IBC TABLE 705.8
 MAXIMUM UNPROTECTED OPENING AREA: 5.78% (WALL W3, W4, W8 & W9)
- CONCRETE STRENGTH $f'_{ci} = 2500$ PSI INITIAL $f'_c = 5000$ PSI
 FINAL AIR ENTRAINMENT $6\% \pm 1\ 1/2\%$ IN PLASTIC CONCRETE.
 REINFORCING STEEL: ASTM A615 #3 GRADE 40, #4 AND LARGER GRADE 60
 $F_y=60$ KSI MINIMUM LAP 18" AT SPLICES. TIE BARS WITH DOUBLE ANNEALED 16 GA IRON WIRE. REINFORCING TO BE PLACED IN CENTER OF PANEL UNO.
 REINFORCING STEEL SHALL BE ACCURATELY PLACED WELDED WIRE FABRIC (W.W.F.): ASTM A1064, 4x4xW6.7xW6.7, $F_y=80$ KSI (OR EQUIVALENT), SMOOTH WIRE, MIN. LAP 2 SQUARES.
- EMBEDDED ITEMS IDENTIFIED ON DRAWINGS (i.e. PS-2, R301) REFER TO CXT STANDARD EMBEDMENT CATALOG.
- BACK OF PANELS TO HAVE SMOOTH TROWEL FINISH UNO. ALL SURFACES TO BE TEXTURED ARE NOTED ON PANEL DWG'S
- REFER TO SEPARATE CXT INCORPORATED SPECIFICATIONS COVERING DESIGN, MATERIALS, PRODUCTION, AND INSTALLATION CRITERIA FOR SPECIFIC STYLE OF BUILDING.
- ADEQUATE PLUMBING FACILITIES MUST BE PROVIDED IN ACCORDANCE WITH 2015 IBC 2902.3.2 (NOT BY CXT).
- ALL REBAR BENDS TO HAVE A MINIMUM RADIUS OF 6X THE BAR DIAMETER.
- INSTALLATION TO MEET APPLICABLE LOCAL, STATE, & FEDERAL CODES, BY OTHERS.
- BUILDING DOES NOT CONTAIN CONDITIONED SPACE. NO ENVELOPE REQUIREMENTS.

PANEL MARK NO. KEY PLAN

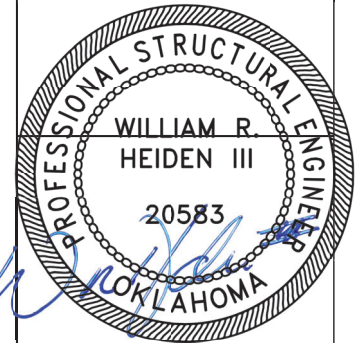


APPLICABLE CODES

- 2018 INTERNATIONAL BUILDING CODE
- 2018 INTERNATIONAL PLUMBING CODE
- 2018 INTERNATIONAL MECHANICAL CODE
- 2017 NATIONAL ELECTRICAL CODE
- 2018 INTERNATIONAL ENERGY CONSERVATION CODE (2016 ASHRAE 90.1)

SPECIAL CONDITIONS AND/OR LIMITATIONS

ACCESSIBILITY TO THIS BUILDING, INCLUDING PARKING IS TO BE PROVIDED BY OTHERS AND CONSTRUCTED IN ACCORDANCE WITH ALL LOCAL BUILDING CODES



September 25, 2022

LB Foster
 CXT® Products

6707 E. Flamingo Ave. Bldg 300, Nampa, ID 83687
 901 N. Highway 77 Hillsboro, TX 76645
 362 Waverly Road Williamstown, WV 26187

PROJECT TITLE
NAVAJO
 BUILDING NUMBER N-283

NOTICE
 The information contained herein is proprietary and the exclusive property of CXT Incorporated. The information may only be used by the original recipient for the purpose intended. Reproduction or distribution of this information is strictly prohibited without the prior written consent of CXT Incorporated. By allowing use of this information, CXT Incorporated grants no warranty, express or implied, including a warranty of merchantability or of fitness for a particular purpose.
 CXT Incorporated

REV.	DESCRIPTION	APPROVAL	DATE
SCALE	3/16"=1'-0"	DATE	8/30/22
DRAWN	M. TOLMAN	FILE NO.	N-283
CHECKED	BHA	PLOT	84

COVER SHEET

DWG NO.	SHEET	REV.
N-01	1 / 34	0

CASTING TOLERANCES:

OVERALL LENGTH OR WIDTH	10 FT OR UNDER = ± 1/8"
	10 TO 20 FT = ± 1/8", -3/16"
	20 TO 40 FT = ± 1/4"
TOTAL THICKNESS	= -1/8, +1/4
VARIATION FROM SQUARE	= ± 1/8 PER 6 FT OF DIAGONAL
LOCAL SMOOTHNESS	= 1/4" IN 10 FT
SWEEP	= ± 1/4"
POSITION OF TENDONS	= ± 1/4"
POSITION OF BLOCKOUTS	= ± 1/4"
SIZE OF BLOCKOUTS	= ± 1/4"
POSITION OF EMBEDS	= ± 1/4"
TIPPING AND FLUSHNESS OF PLATES	= +1/16, -1/4
BOWING	= LENGTH/360
END SQUARENESS	= ± 1/8"

OKLAHOMA PE DRAWINGS (ECC ONLY) REQUIRED

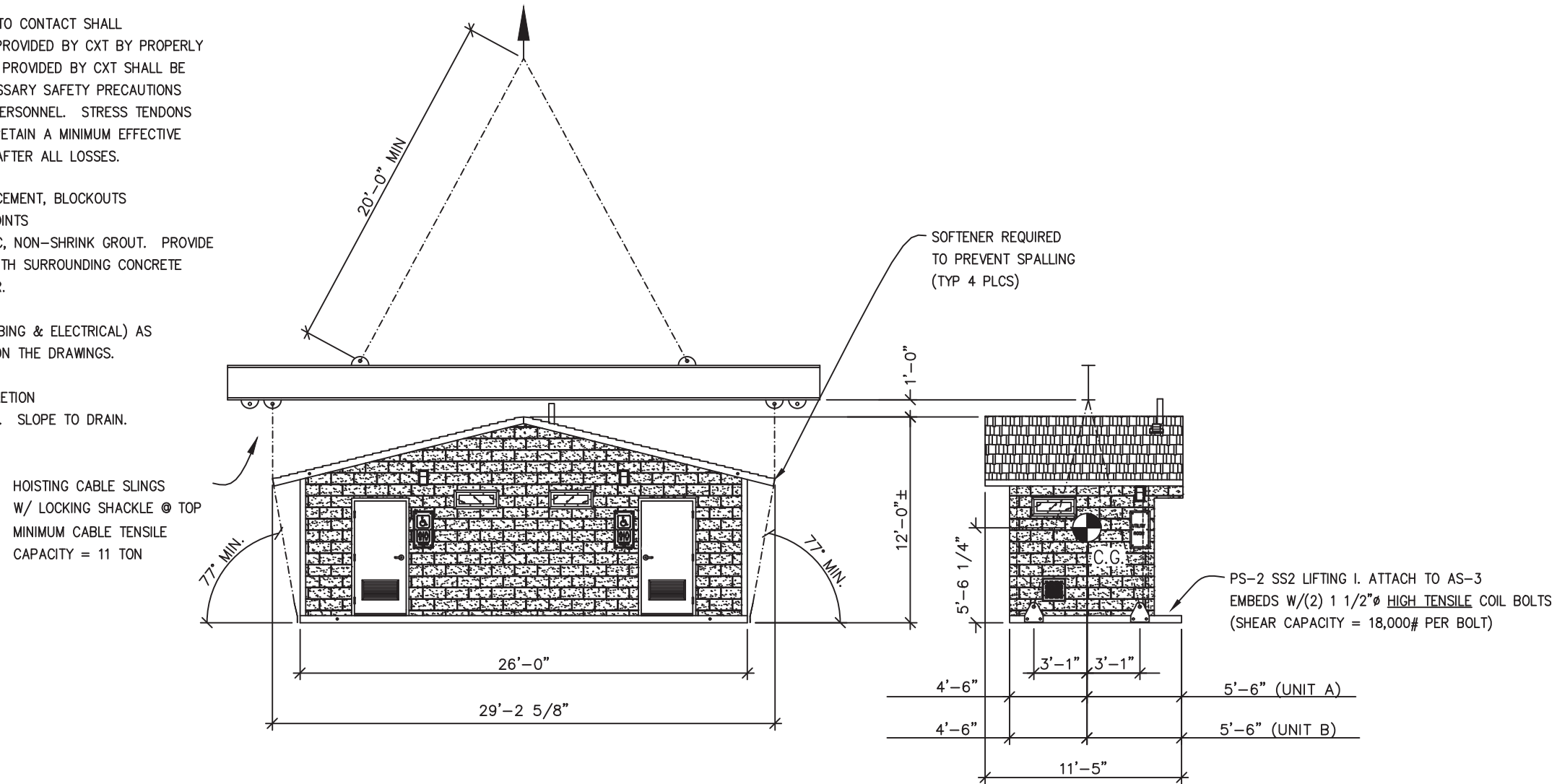
WALL TEXTURE:	SPLIT FACE BLOCK
WALL COLOR:	MALIBU TAUPE
ROOF TEXTURE:	CEDAR SHAKE
ROOF COLOR:	JAVA BROWN
TRIM PAINT:	DTM ALKYD ENAMEL BROWN
SEALER:	2K ANTI-GRAFFITI
PACKAGE:	MARINE, STAINLESS STEEL EMBEDS AND HINGES REQUIRED

NOTES:

1. THE NAVAJO STYLE BUILDING CONSISTS OF TWO SEPARATE UNITS TO BE PLACED AND JOINED AT THE PROJECT SITE. PROPER SITE PREPARATION AND HANDLING IS ESSENTIAL FOR THE SAFE AND PROPER INSTALLATION OF THE BUILDING.
2. PROVIDE SHALLOW TRENCH WITH ROLLED EDGES ALONG BUILDING JOINT LINES TO PREVENT TRAPPING MATERIAL BETWEEN UNITS BEING DRAWN TOGETHER.
3. PLACE UNITS AS CLOSE TO ONE ANOTHER AS POSSIBLE. SPACE BETWEEN UNITS SHOULD NOT EXCEED 1" AT INITIATION OF POST-TENSIONING. MAXIMUM ALLOWABLE FINISH JOINT SPACE BETWEEN UNITS SHALL BE 1/2".
4. POST-TENSIONING TO DRAW UNITS INTO CONTACT SHALL BE ACCOMPLISHED WITH EQUIPMENT PROVIDED BY CXT BY PROPERLY TRAINED PERSONNEL. INSTRUCTIONS PROVIDED BY CXT SHALL BE CAREFULLY ADHERED TO. ALL NECESSARY SAFETY PRECAUTIONS SHALL BE TAKEN BY INSTALLATION PERSONNEL. STRESS TENDONS TO DRAW UNITS TOGETHER AND TO RETAIN A MINIMUM EFFECTIVE FORCE IN EACH TENDON OF 2 KIPS AFTER ALL LOSSES.
5. AFTER COMPLETION OF BUILDING PLACEMENT, BLOCKOUTS AT POST-TENSIONING ANCHORAGE POINTS SHALL BE FILLED WITH NON-METALLIC, NON-SHRINK GROUT. PROVIDE SMOOTH, NEAT FINISH COMPATIBLE WITH SURROUNDING CONCRETE SURFACES. MATCH CONCRETE COLOR.
6. PROVIDE UTILITY CONNECTIONS (PLUMBING & ELECTRICAL) AS REQUIRED AND/OR AS CALLED FOR ON THE DRAWINGS.
7. FILL FLOOR BLOCKOUTS AFTER COMPLETION OF UTILITY HOOKUPS WITH CONCRETE. SLOPE TO DRAIN.

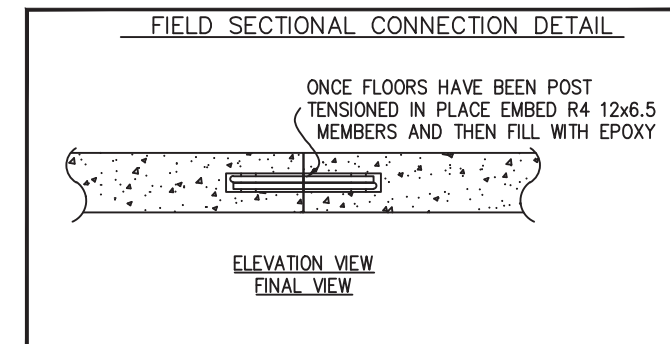
NAVAJO FLUSH / SHOWER

RECOMMENDED HANDLING AND INSTALLATION INSTRUCTIONS



CRANE LIFTING SCHEMATIC – UNITS A & B

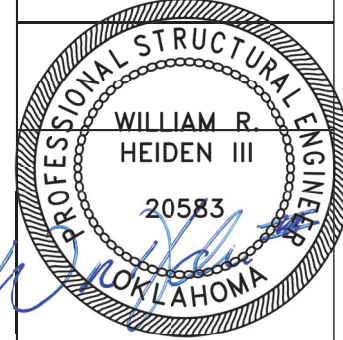
SHIPPING WEIGHTS AND DIMENSIONS				
SECTION	WEIGHT	LENGTH	WIDTH	HEIGHT
A (BACK)	74,000	29'-3"	11'-6"	12'-0"
B (FRONT)	74,000	29'-3"	11'-6"	12'-0"



EMBEDDED MATERIALS	
ITEM	QTY
P.T. CABLE 26'-0"	4
CHUCKS & WEDGES	8
GROUT	4 BAGS
REBAR R4 12x6.5	4
HIT-HY-200-A EPOXY	2

CU. FT. CONC.	SQ. FT. W.W.F.
---------------	----------------

APPROXIMATE WEIGHT



September 25, 2022



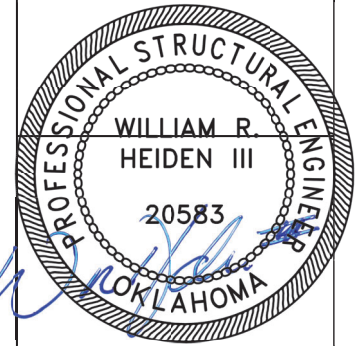
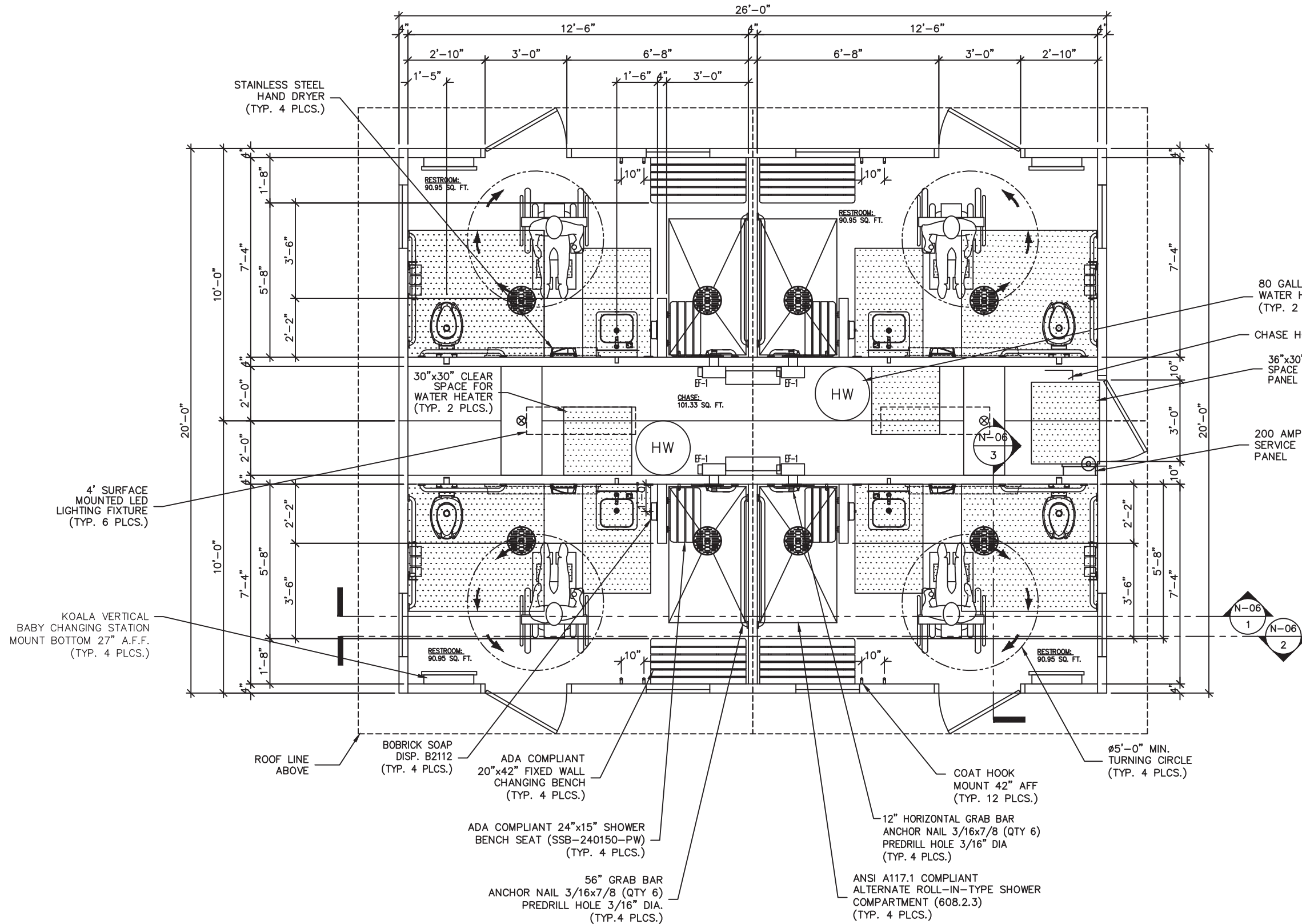
6707 E. Flamingo Ave. Bldg 300, Nampa, ID 83687
 901 N. Highway 77 Hillsboro, TX 76645
 362 Waverly Road Williamstown, WV 26187

PROJECT TITLE
NAVAJO
 BUILDING NUMBER N-283

NOTICE
 The information contained herein is proprietary and the exclusive property of CXT Incorporated. The information may only be used by the original recipient for the purpose intended. Reproduction or distribution of this information is strictly prohibited without the prior written consent of CXT Incorporated. By allowing use of this information, CXT Incorporated grants no warranty, express or implied, including a warranty of merchantability or of fitness for a particular purpose.

REV.	DESCRIPTION	APPROVAL	DATE
SCALE	1/8"=1'-0"	DATE	8/30/22
DRAWN	M. TOLMAN	FILE NO.	N-283
CHECKED	BHA	PLOT	96

RIGGING DETAILS		
DWG NO.	SHEET	REV.
N-02	2	0
	34	



September 25, 2022

LB Foster
CXT® Products

6707 E. Flamingo Ave. Bldg 300, Nampa, ID 83687
901 N. Highway 77 Hillsboro, TX 76645
362 Waverly Road Williamstown, WV 26187

PROJECT TITLE
NAVAJO
BUILDING NUMBER N-283

NOTICE
The information contained herein is proprietary and the exclusive property of CXT Incorporated. The information may only be used by the original recipient for the purpose intended. Reproduction or distribution of this information is strictly prohibited without the prior written consent of CXT Incorporated. By allowing use of this information, CXT Incorporated grants no warranty, express or implied, including a warranty of merchantability or of fitness for a particular purpose.
CXT Incorporated

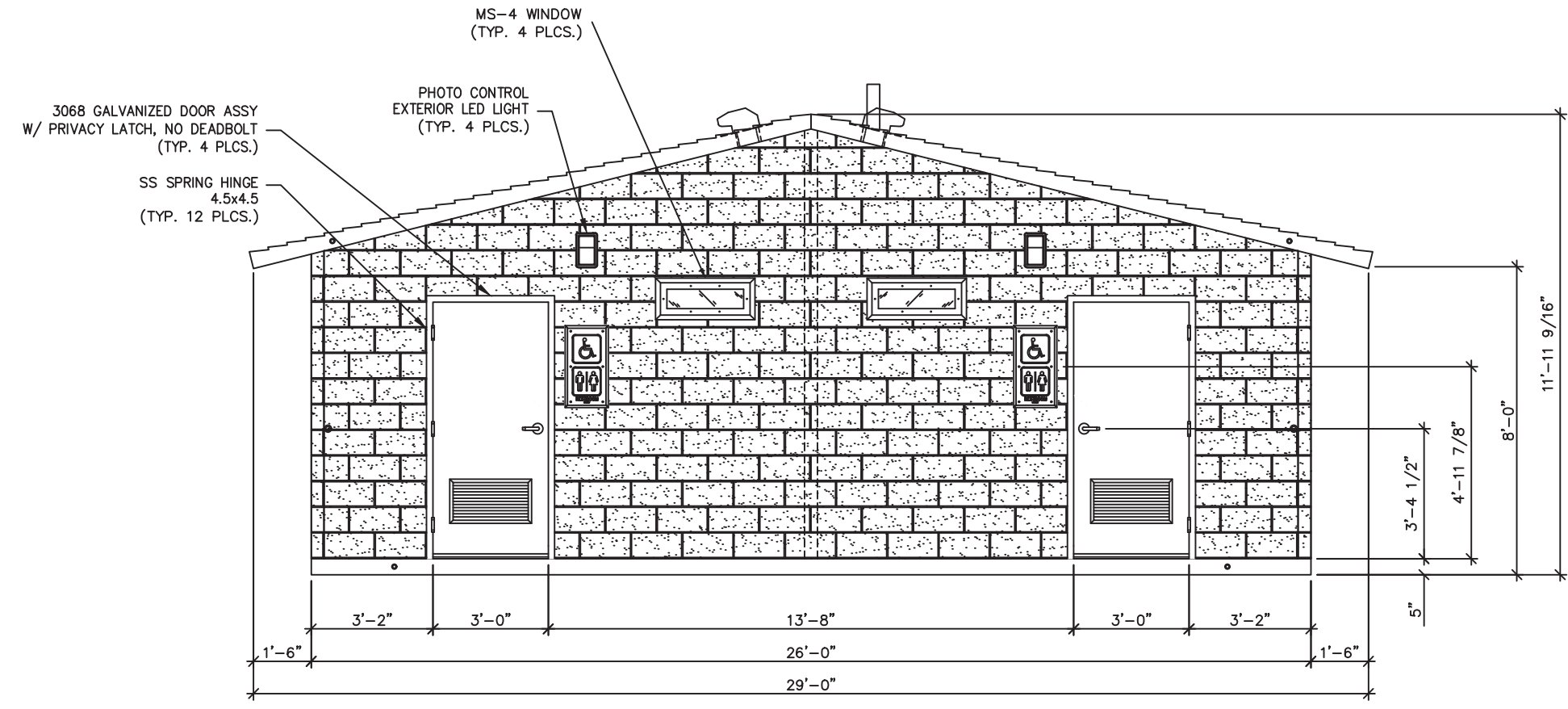
REV.	DESCRIPTION	APPROVAL	DATE
SCALE	1/4"=1'-0"	DATE	8/30/22
DRAWN	M. TOLMAN	FILE NO.	N-283
CHECKED	BHA	PLOT	48

FLOOR PLAN

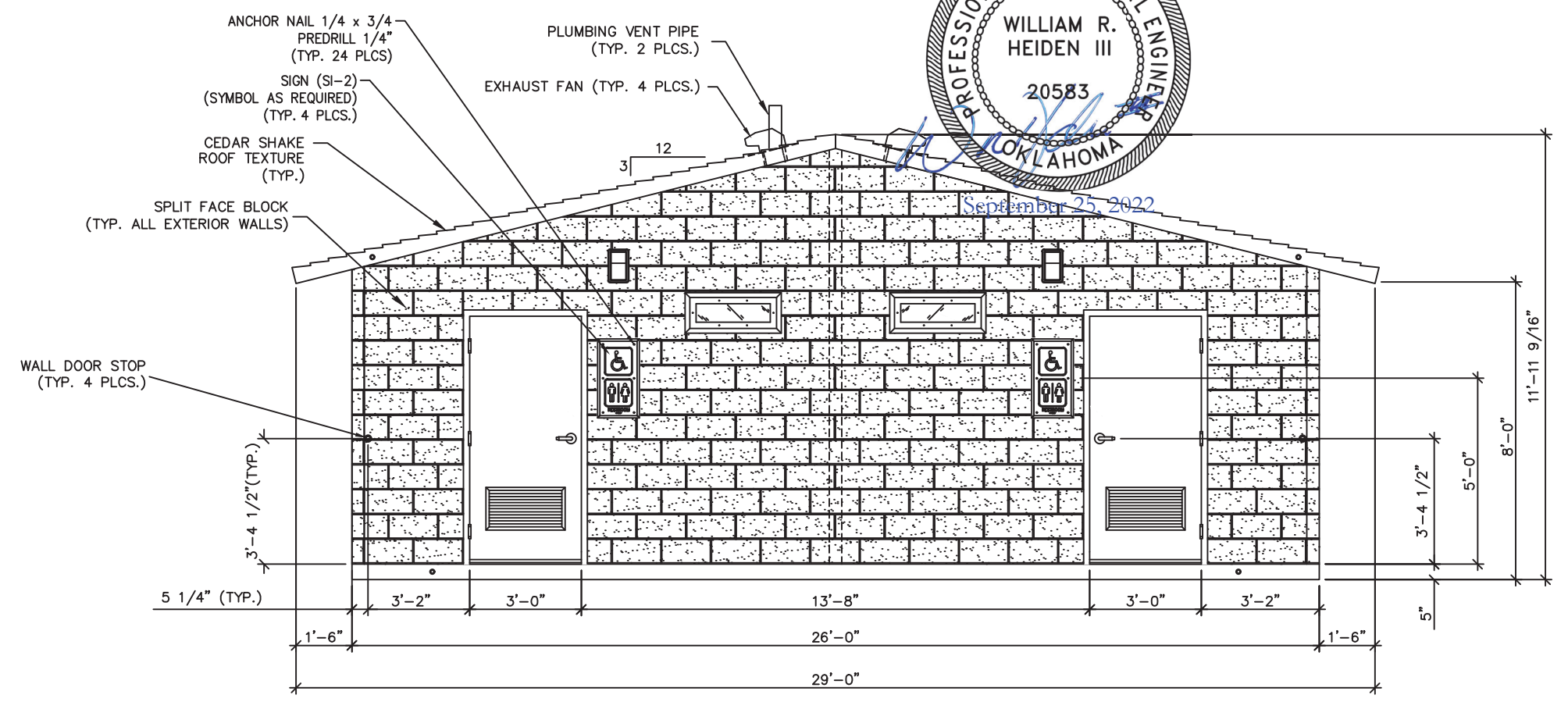
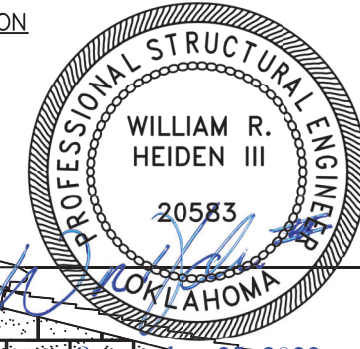
DWG NO.	SHEET	REV.
N-03	3	0
	34	

NOTE: PLUMBING COMPONENTS ARE SHOWN FOR GENERAL ARRANGEMENT ONLY. SEE SHEETS N-28 THRU N-30 FOR COMPLETE SYSTEM DESCRIPTIONS.

EMBEDDED MATERIALS	
ITEM	QTY
ANCHOR NAIL 1/4x3/4	24
SI-2	4
SS SPRING HINGE 4.5x4.5	12
3068 GALV DOOR ASSY	4
WALL DOOR STOP	4
MS-4 WINDOW	4
DOOR LOUVER	4



FRONT ELEVATION



REAR ELEVATION



LBFoster
CXT® Products

6707 E. Flamingo Ave. Bldg 300, Nampa, ID 83687
901 N. Highway 77 Hillsboro, TX 76645
362 Waverly Road Williamstown, WV 26187

PROJECT TITLE
NAVAJO
BUILDING NUMBER N-283

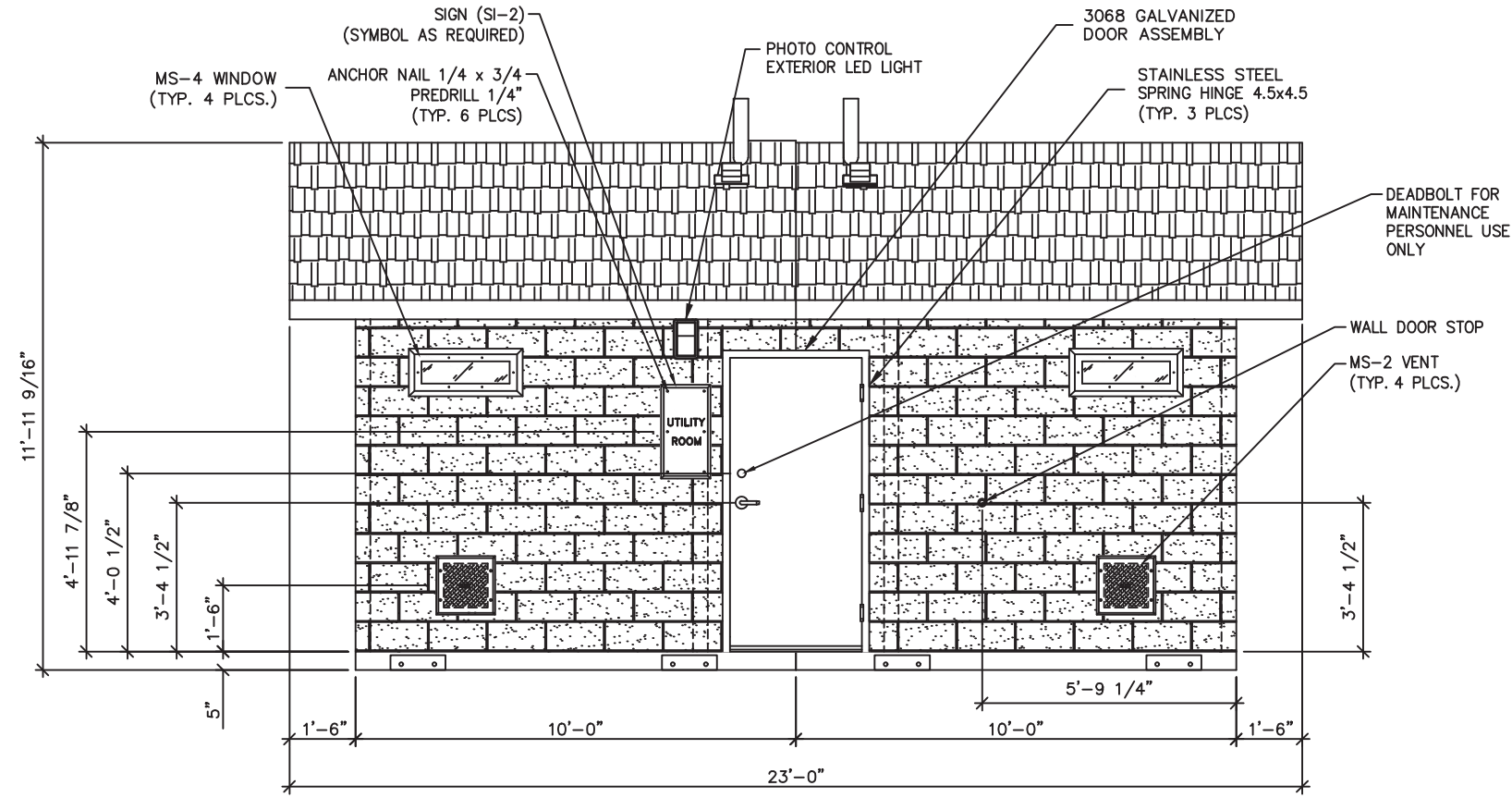
NOTICE
The information contained herein is proprietary and the exclusive property of CXT Incorporated. The information may only be used by the original recipient for the purpose intended. Reproduction or distribution of this information is strictly prohibited without the prior written consent of CXT Incorporated. By allowing use of this information, CXT Incorporated grants no warranty, express or implied, including a warranty of merchantability or of fitness for a particular purpose.
CXT Incorporated

REV.	DESCRIPTION	APPROVAL	DATE
SCALE	1/4"=1'-0"	DATE	8/30/22
DRAWN	M. TOLMAN	FILE NO.	N-283
CHECKED	BHA	PLOT	48

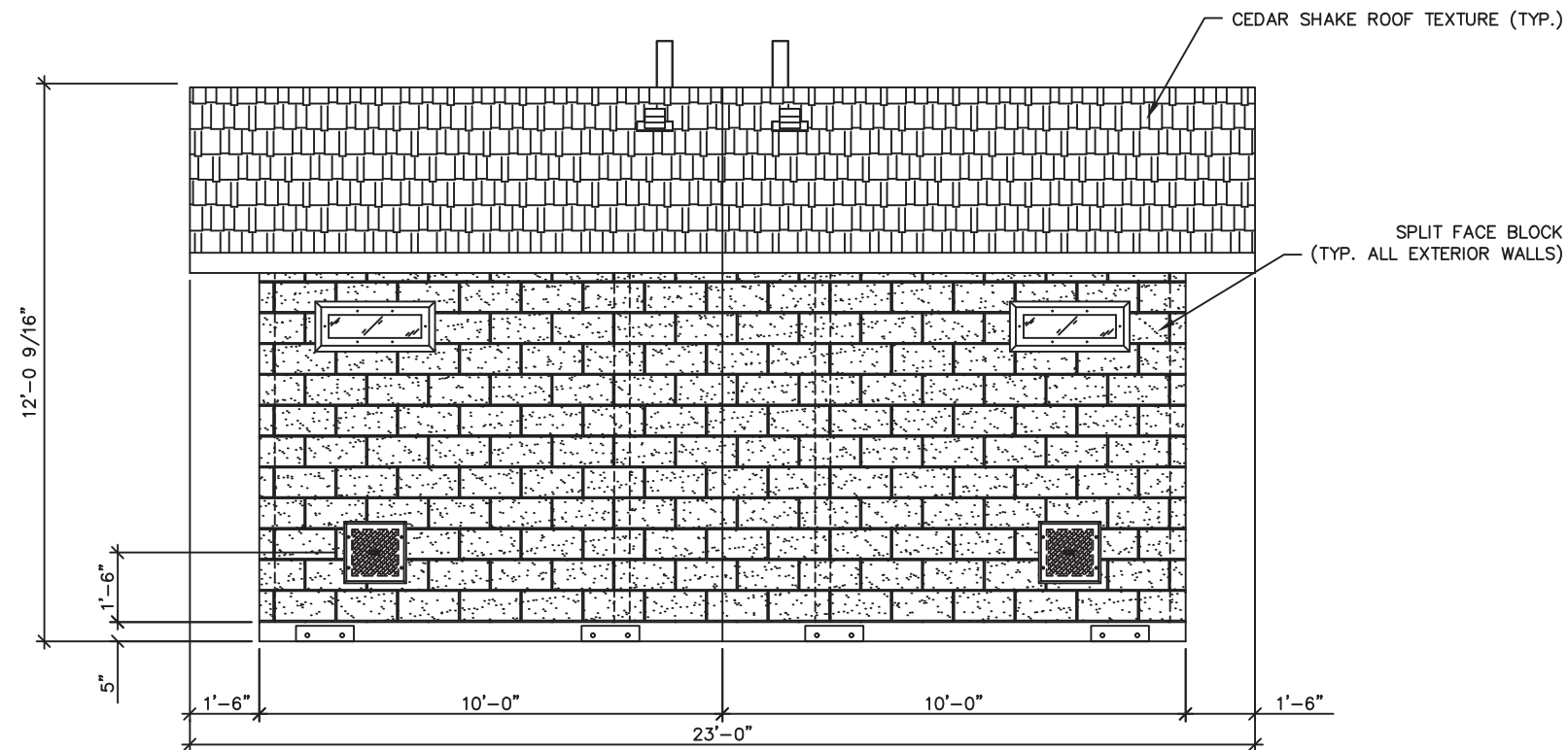
BUILDING ELEVATIONS

DWG NO.	SHEET	REV.
N-04	4	0
	34	

MARINE PACKAGE



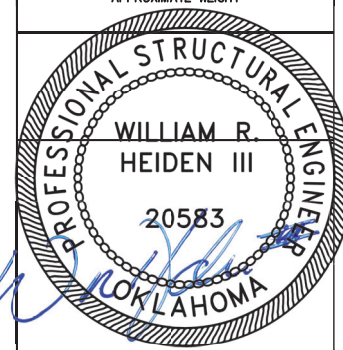
RH SIDE ELEVATION



LH SIDE ELEVATION

EMBEDDED MATERIALS	
ITEM	QTY
MS-4 WINDOW	12
MS-2 VENT	4
3068 GALV DOOR ASSY	1
SS SPRING HINGE 4.5x4.5	3
ANCHOR NAIL 1/4x3/4	6
SI-2	1
MS-4 WINDOW	4
WALL DOOR STOP	1

CU. FT. CONC.	SO. FT. W.W.F.
APPROXIMATE WEIGHT	



September 25, 2022

LB Foster
CXT® Products

6707 E. Flamingo Ave. Bldg 300, Nampa, ID 83687
901 N. Highway 77 Hillsboro, TX 76645
362 Waverly Road Williamstown, WV 26187

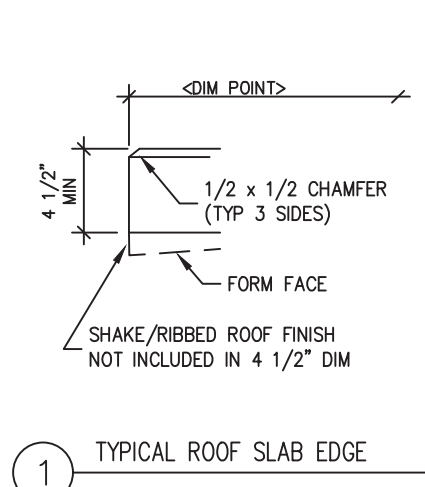
PROJECT TITLE
NAVAJO
BUILDING NUMBER N-283

NOTICE
The information contained herein is proprietary and the exclusive property of CXT Incorporated. The information may only be used by the original recipient for the purpose intended. Reproduction or distribution of this information is strictly prohibited without the prior written consent of CXT Incorporated. By allowing use of this information, CXT Incorporated grants no warranty, express or implied, including a warranty of merchantability or of fitness for a particular purpose.
CXT Incorporated

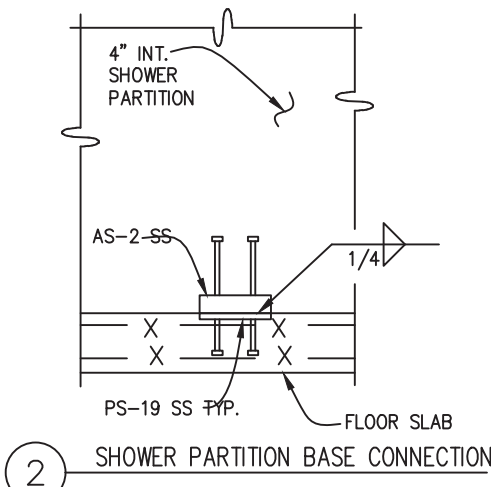
REV.	DESCRIPTION	APPROVAL	DATE
SCALE	1/4"=1'-0"	DATE	8/30/22
DRAWN	M. TOLMAN	FILE NO.	N-283
CHECKED	BHA	PLOT	48

BUILDING ELEVATIONS

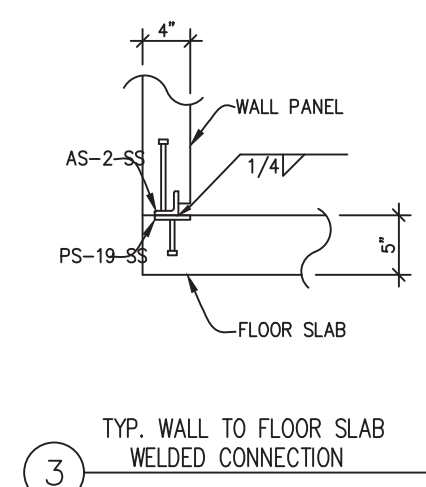
DWG NO.	SHEET	REV.
N-05	5	0
	34	



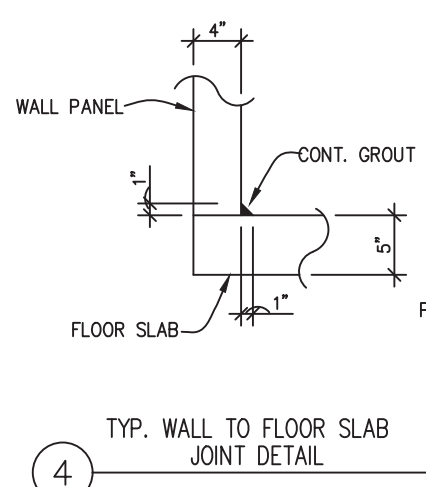
1 TYPICAL ROOF SLAB EDGE



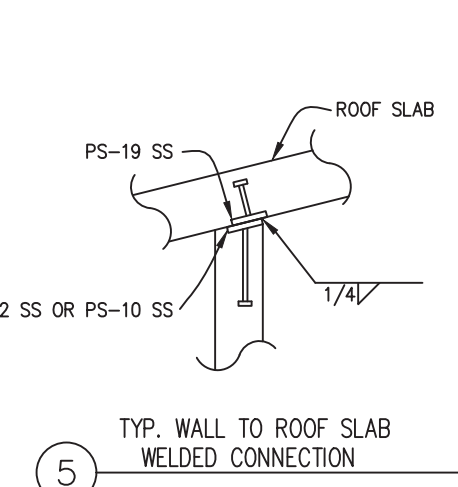
2 SHOWER PARTITION BASE CONNECTION



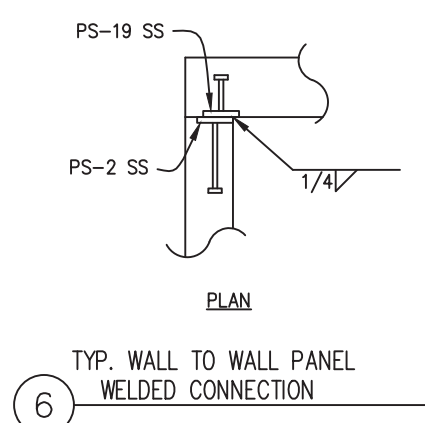
3 TYP. WALL TO FLOOR SLAB WELDED CONNECTION



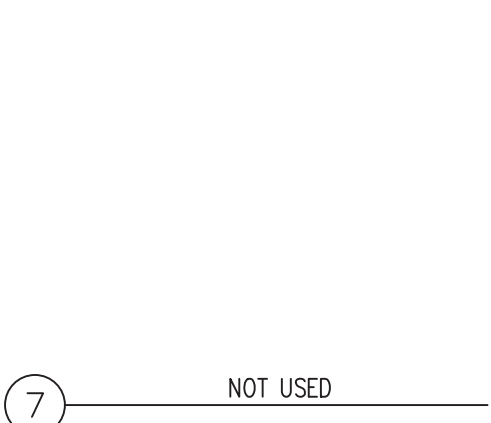
4 TYP. WALL TO FLOOR SLAB JOINT DETAIL



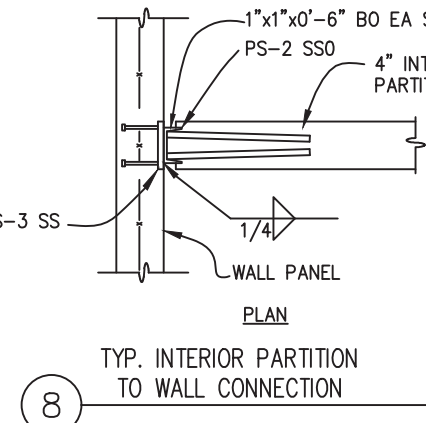
5 TYP. WALL TO ROOF SLAB WELDED CONNECTION



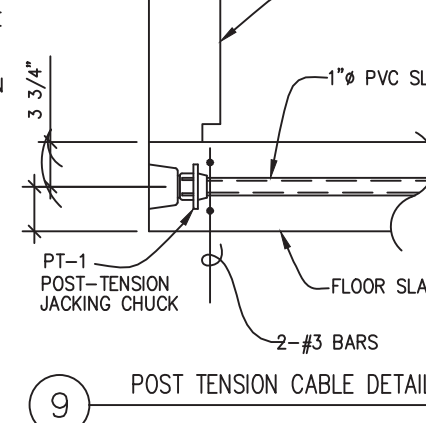
6 TYP. WALL TO WALL PANEL WELDED CONNECTION



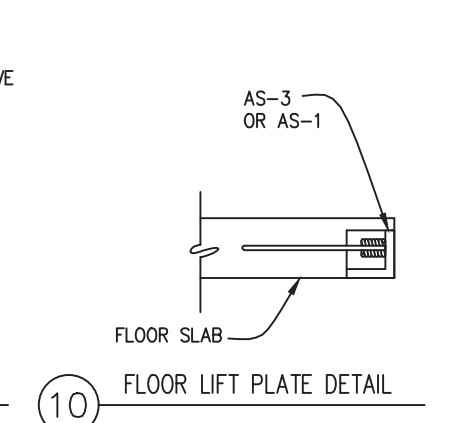
7 NOT USED



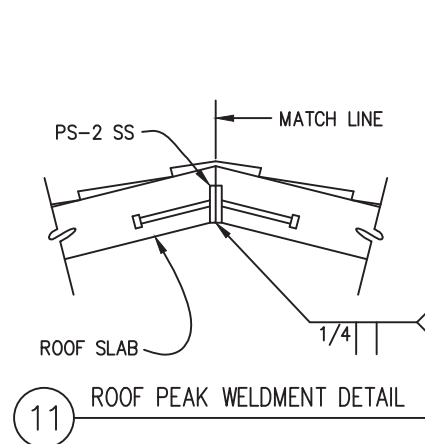
8 TYP. INTERIOR PARTITION TO WALL CONNECTION



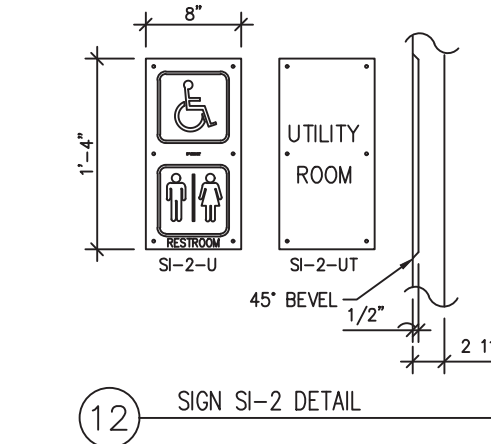
9 POST TENSION CABLE DETAIL



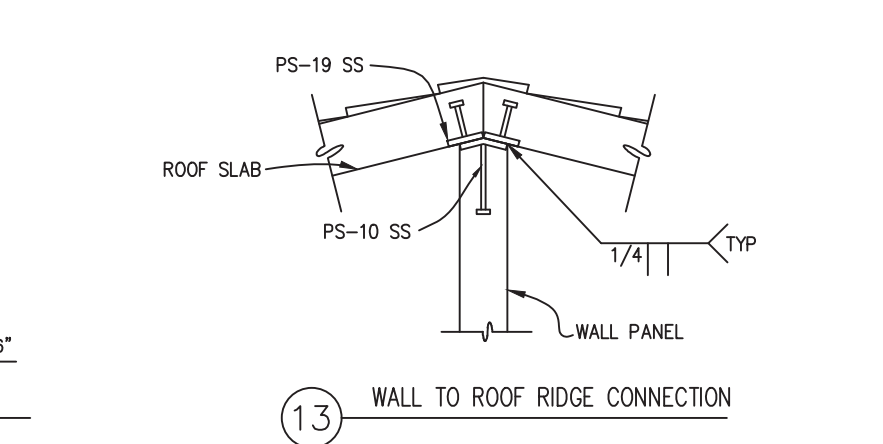
10 FLOOR LIFT PLATE DETAIL



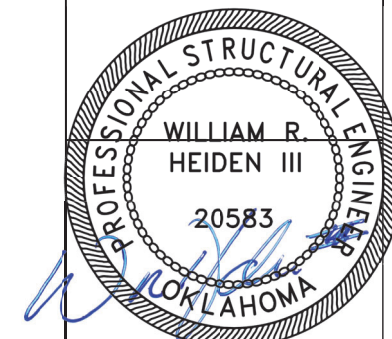
11 ROOF PEAK WELDMENT DETAIL



12 SIGN SI-2 DETAIL



13 WALL TO ROOF RIDGE CONNECTION



September 25, 2022

LB Foster
CXT® Products

6707 E. Flamingo Ave. Bldg 300, Nampa, ID 83687
901 N. Highway 77 Hillsboro, TX 76645
362 Waverly Road Williamstown, WV 26187

PROJECT TITLE
NAVAJO
BUILDING NUMBER N-283

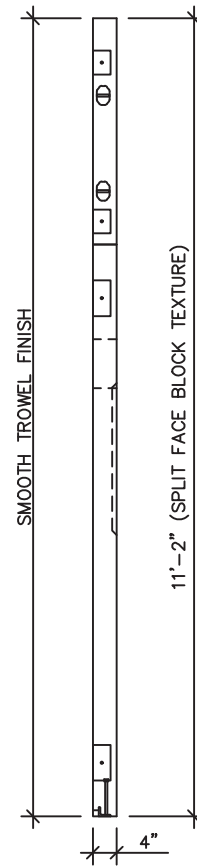
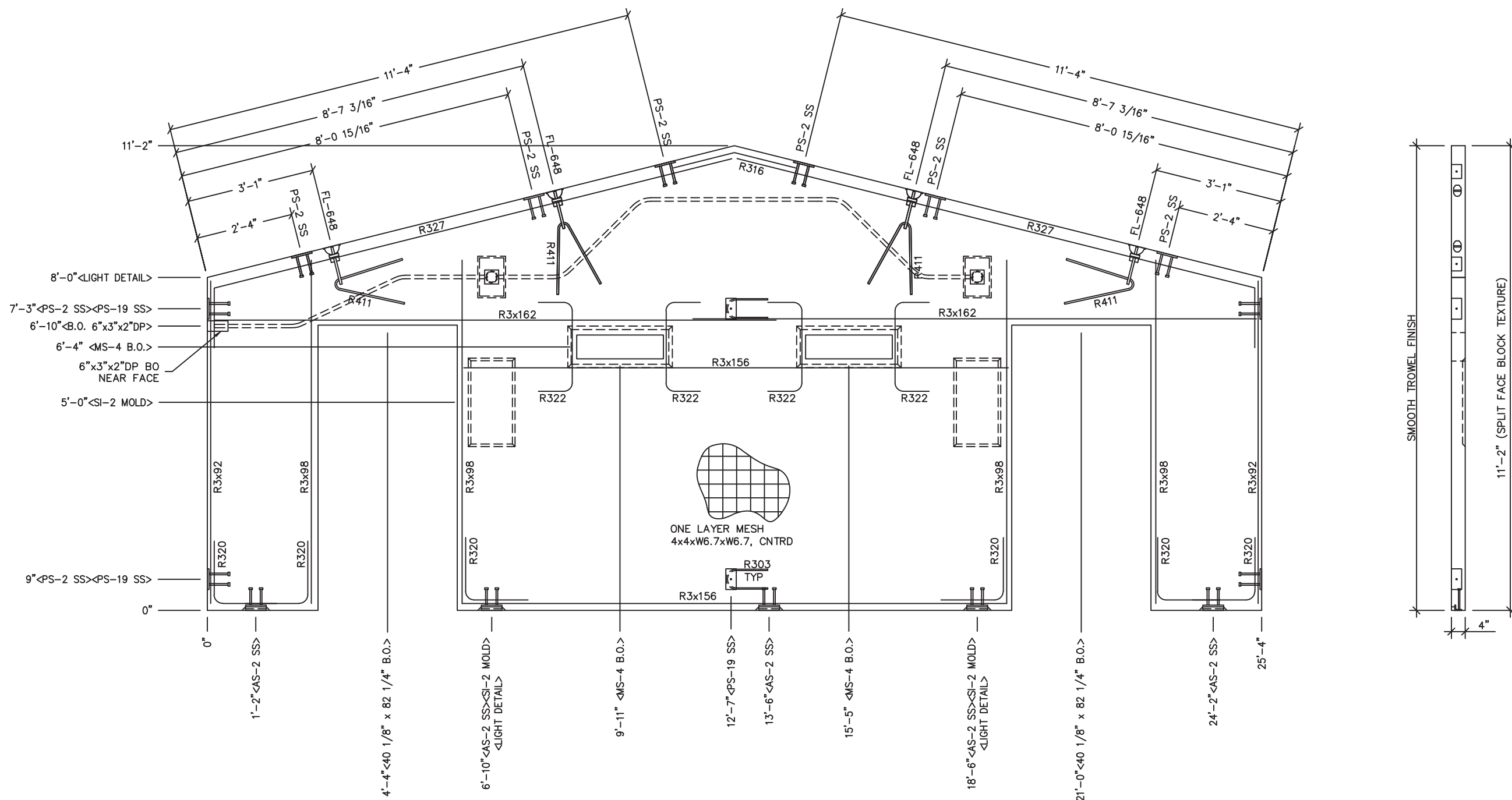
NOTICE
The information contained herein is proprietary and the exclusive property of CXT Incorporated. The information may only be used by the original recipient for the purpose intended. Reproduction or distribution of this information is strictly prohibited without the prior written consent of CXT Incorporated. By allowing use of this information, CXT Incorporated grants no warranty, express or implied, including a warranty of merchantability or of fitness for a particular purpose.

REV.	DESCRIPTION	APPROVAL	DATE

SCALE	3/4"=1'-0"	DATE	8/30/22
DRAWN	M. TOLMAN	FILE NO.	N-283
CHECKED	BHA	PLOT	16

DETAILS		
DWG NO.	SHEET	REV.
N-07	7	0
	34	

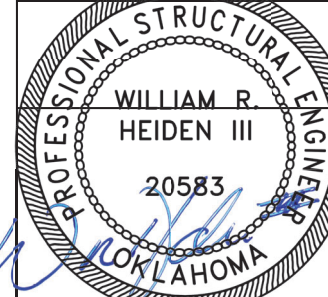
MARINE PACKAGE



EMBEDDED MATERIALS	
ITEM	QTY
AS-2 SS	5
PS-2 SS	10
FL648	4
R411	4
R320	12
PS-19 SS	2
R303	2
R316	1
R327	2
SI-2 MOLD	2
40 1/8" x 82 1/4" B.O.	2
R3x92	4
R3x98	8
R3x156	4
R3x162	4
4x4 J-BOX	2
MS-4 B.O.	2
B.O. 6" x 3" x 2" DEEP	1
R322	4
ROUND MUD RING	2

MARINE PACKAGE REQUIRED	
CU. FT. CONC.	SQ. FT. W.W.F.
64.9 (2.40)	195

APPROXIMATE WEIGHT



September 25, 2022

LB Foster
CXT® Products

6707 E. Flamingo Ave. Bldg 300, Nampa, ID 83687
901 N. Highway 77 Hillsboro, TX 76645
362 Waverly Road Williamstown, WV 26187

PROJECT TITLE
NAVAJO
BUILDING NUMBER N-283

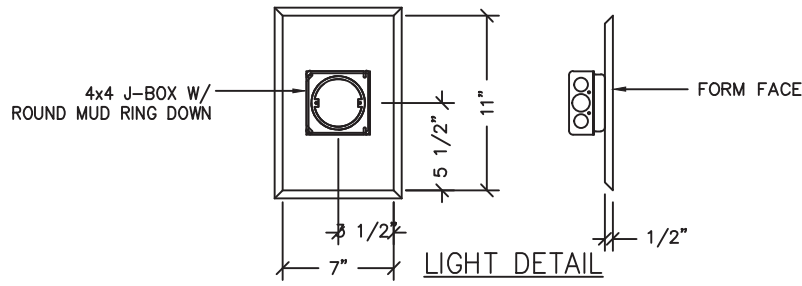
NOTICE
The information contained herein is proprietary and the exclusive property of CXT Incorporated. The information may only be used by the original recipient for the purpose intended. Reproduction or distribution of this information is strictly prohibited without the prior written consent of CXT Incorporated. By allowing use of this information, CXT Incorporated grants no warranty, express or implied, including a warranty of merchantability or of fitness for a particular purpose.
CXT Incorporated

REV.	DESCRIPTION	APPROVAL	DATE
SCALE	3/8"=1'-0"	DATE	8/30/22
DRAWN	M. TOLMAN	FILE NO.	N-283
CHECKED	BHA	PLOT	32

WALL PANEL
MARK W1

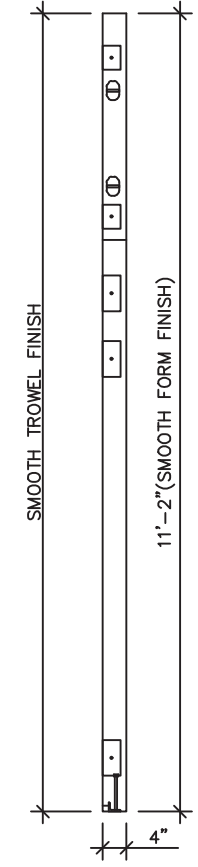
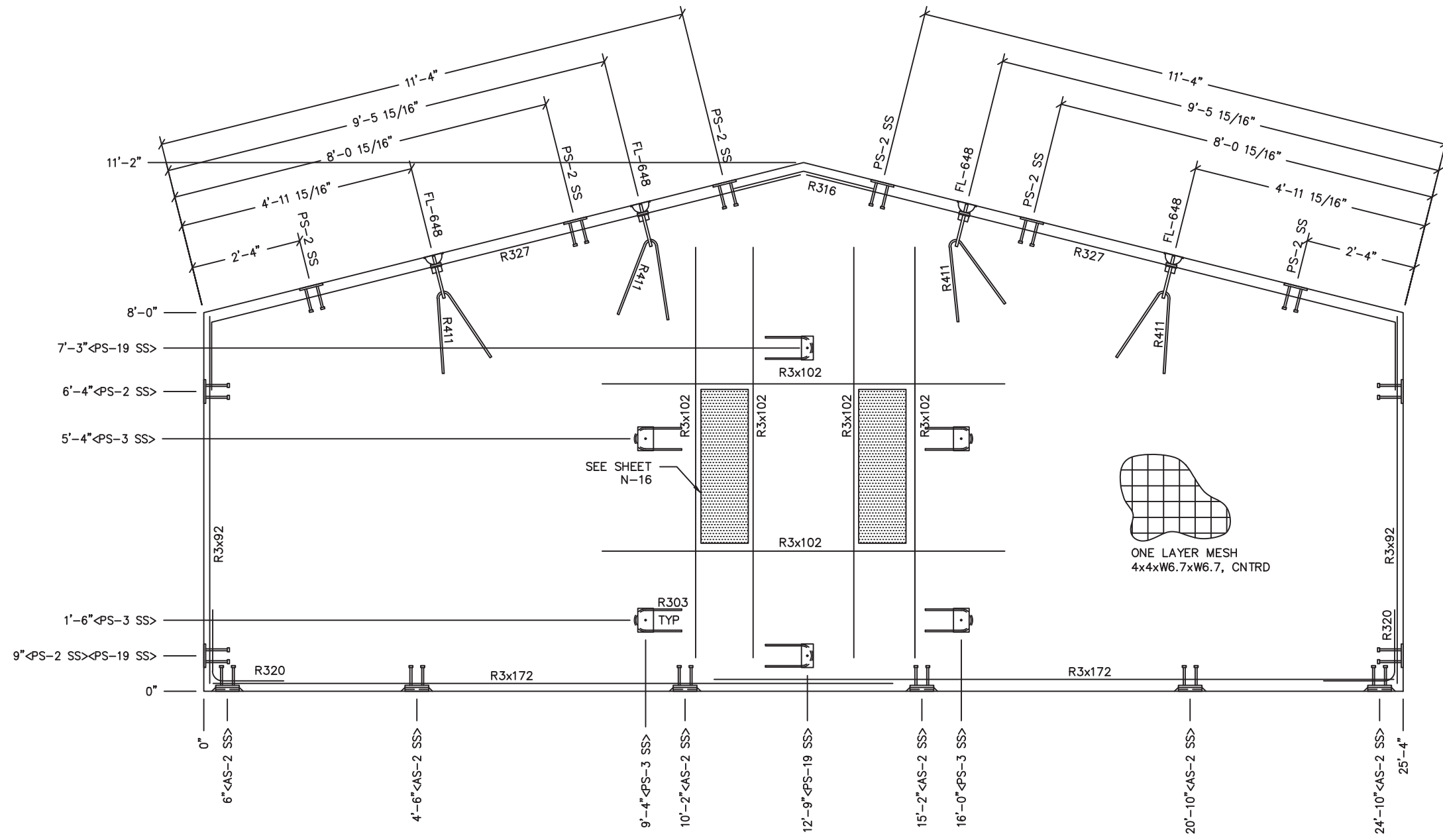
DWG. NO.	SHEET	REV.
N-08	8 / 34	0

- NOTES:**
- EXCEPT R411, R303, R327, R322 & R316, REINFORCING BARS TO BE PLACED IN PAIRS ONE EACH FACE OF PANEL W/ 3/4" MIN. COVER ALL OTHER BARS TO BE CENTERED IN PANEL.

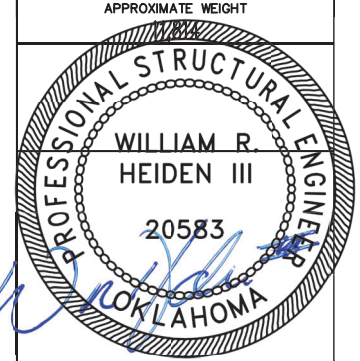


MARINE PACKAGE

EMBEDDED MATERIALS	
ITEM	QTY
AS-2 SS	6
PS-2 SS	10
FL648	4
R411	4
PS-3 SS	4
PS-19 SS	2
R303	6
R320	4
R316	1
R327	2
R3x172	4
R3x92	4
R3x102	6



MARINE GRADE PACKAGE REQUIRED	
CU. FT. CONC.	SQ. FT. W.W.F.
78.8 (2.92)	236



September 25, 2022

LB Foster
CXT® Products

6707 E. Flamingo Ave. Bldg 300, Nampa, ID 83687
901 N. Highway 77 Hillsboro, TX 76645
362 Waverly Road Williamstown, WV 26187

PROJECT TITLE
NAVAJO
BUILDING NUMBER N-283

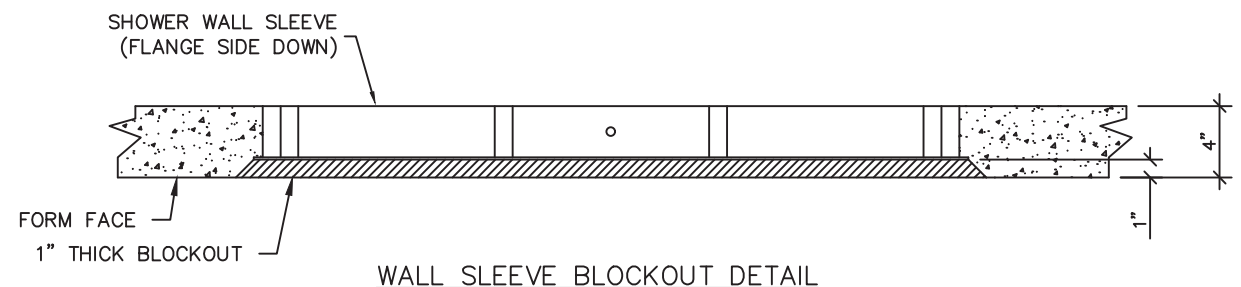
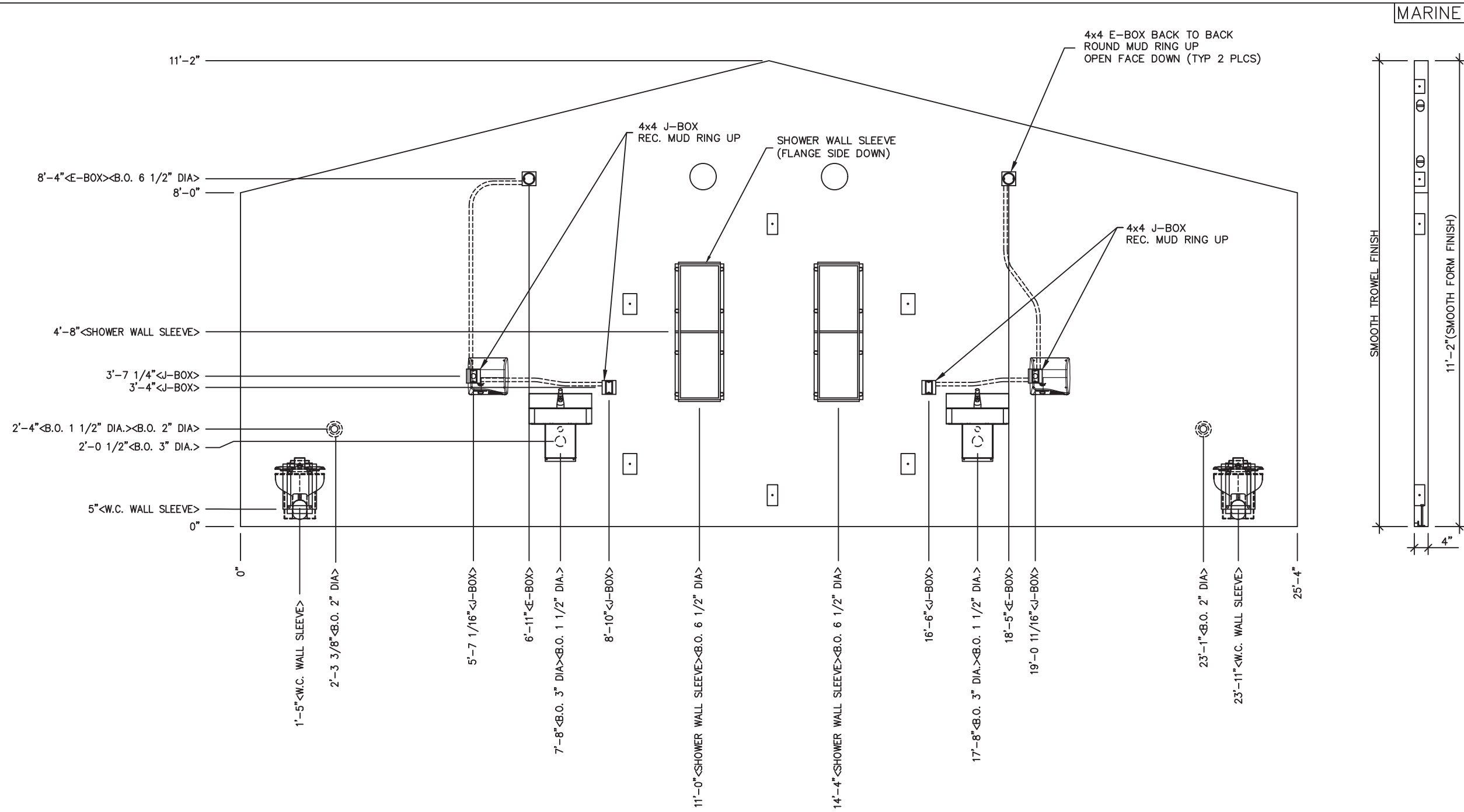
NOTICE
The information contained herein is proprietary and the exclusive property of CXT Incorporated. The information may only be used by the original recipient for the purpose intended. Reproduction or distribution of this information is strictly prohibited without the prior written consent of CXT Incorporated. By allowing use of this information, CXT Incorporated grants no warranty, express or implied, including a warranty of merchantability or of fitness for a particular purpose.
CXT Incorporated

REV.	DESCRIPTION	APPROVAL	DATE
SCALE	3/8"=1'-0"	DATE	8/30/22
DRAWN	M. TOLMAN	FILE NO.	N-283
CHECKED	BHA	PLOT	32

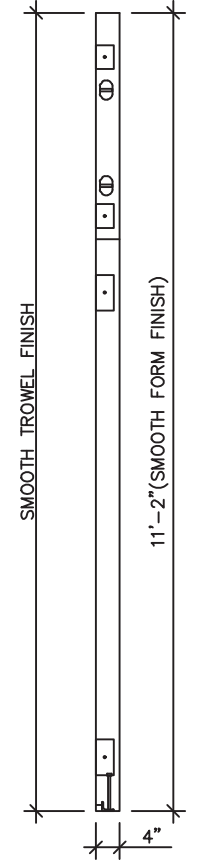
WALL PANEL
MARK W2

DWG NO.	SHEET	REV.
N-09	9	0
	34	

- NOTES:**
- EXCEPT R3X102, R303, R411, R327 & R316, REINFORCING BARS TO BE PLACED IN PAIRS ONE EACH FACE OF PANEL W/ 3/4" MIN. COVER



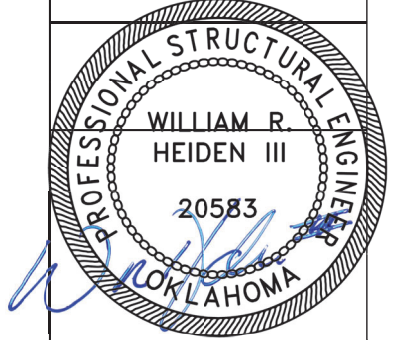
MARINE PACKAGE



EMBEDDED MATERIALS	
ITEM	QTY
4x4 J-BOX	4
RECT MUD RING	4
SHOWER WALL SLEEVE	2
W.C. WALL SLEEVE	2
B.O. 3" DIA.	2
B.O. 1 1/2" DIA.	2
ROUND MUD RING	2
4x4 E-BOX	4
B.O. 6 1/2" DIAMETER	2
RECT. MUD RING	2
B.O. 2" DIA	2

MARINE PACKAGE REQUIRED	
CU. FT. CONC.	SQ. FT. W.W.F.

APPROXIMATE WEIGHT



September 25, 2022

LBFoster
CXT® Products

6707 E. Flamingo Ave. Bldg 300, Nampa, ID 83687
901 N. Highway 77 Hillsboro, TX 76645
362 Waverly Road Williamstown, WV 26187

PROJECT TITLE
NAVAJO
BUILDING NUMBER **N-283**

NOTICE
The information contained herein is proprietary and the exclusive property of CXT Incorporated. The information may only be used by the original recipient for the purpose intended. Reproduction or distribution of this information is strictly prohibited without the prior written consent of CXT Incorporated. By allowing use of this information, CXT Incorporated grants no warranty, express or implied, including a warranty of merchantability or of fitness for a particular purpose.
CXT Incorporated

REV.	DESCRIPTION	APPROVAL	DATE
SCALE	3/8"=1'-0"	DATE	8/30/22
DRAWN	M. TOLMAN	FILE NO.	N-283
CHECKED	BHA	PLOT	32

WALL PANEL
MARK W2 BLOCKOUTS

DWG NO.	SHEET	REV.
N-10	10 / 34	0

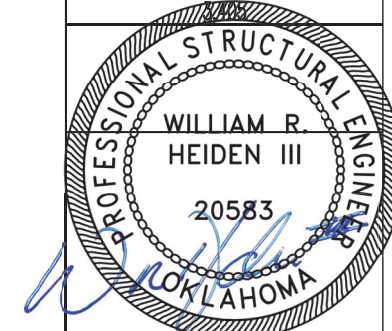
MARINE PACKAGE

EMBEDDED MATERIALS	
ITEM	QTY
AS-2 SS	3
PS-10 SS	2
PS-19 SS	4
R303	4
MS-4 B.O.	1
R3x116	2
R3x92	4
R320	6
MS-2 B.O.	1
PS-2 SS	1
R3x54	4
R3x96	2
R322	4
R3x38	2

MARINE PACKAGE REQUIRED

CU. FT. CONC.	SQ. FT. W.W.F.
22.7 (0.84)	66

APPROXIMATE WEIGHT



September 25, 2022

LB Foster
CXT® Products

6707 E. Flamingo Ave. Bldg 300, Nampa, ID 83687
901 N. Highway 77 Hillsboro, TX 76645
362 Waverly Road Williamstown, WV 26187

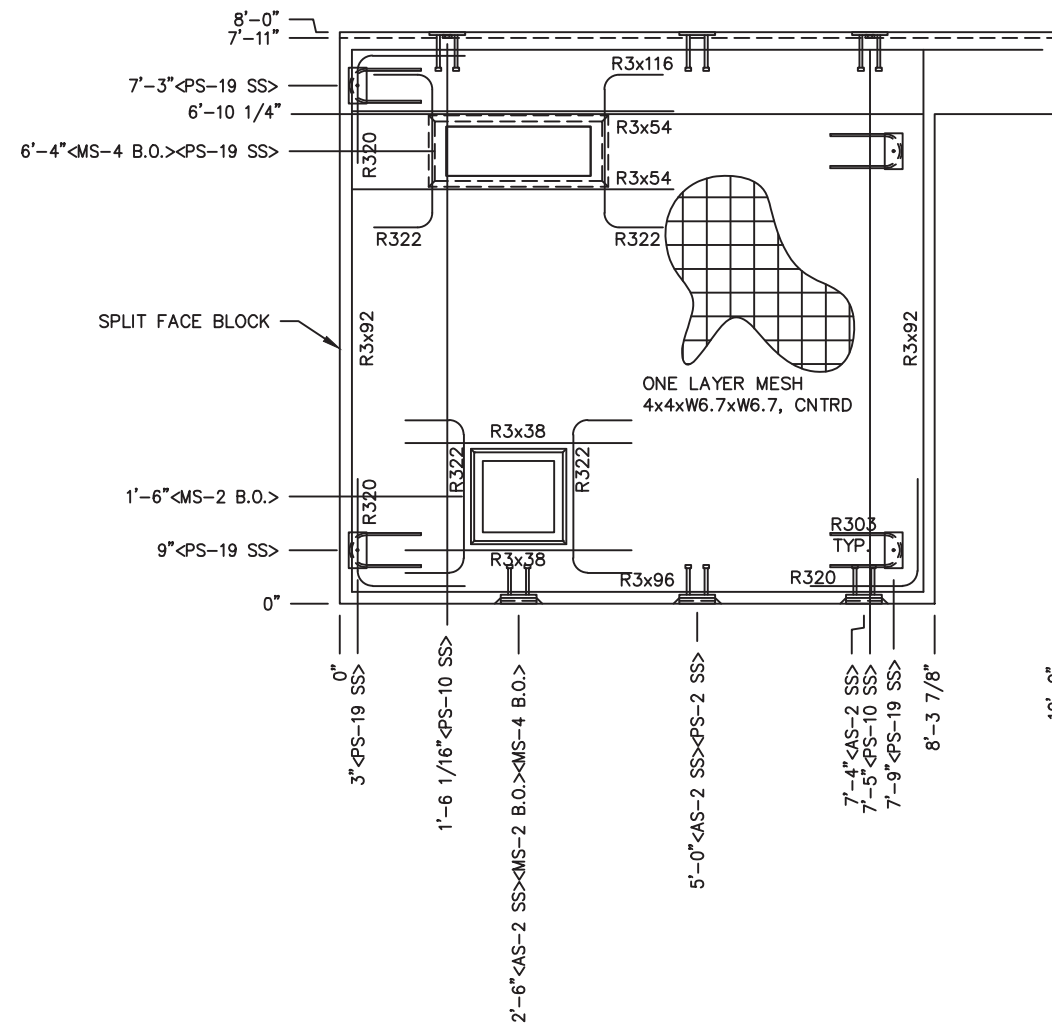
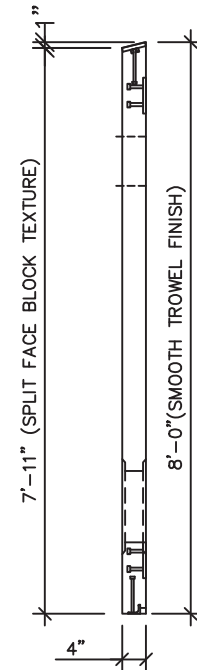
PROJECT TITLE
NAVAJO
BUILDING NUMBER N-283

NOTICE
The information contained herein is proprietary and the exclusive property of CXT Incorporated. The information may only be used by the original recipient for the purpose intended. Reproduction or distribution of this information is strictly prohibited without the prior written consent of CXT Incorporated. By allowing use of this information, CXT Incorporated grants no warranty, express or implied, including a warranty of merchantability or of fitness for a particular purpose.
CXT Incorporated

REV.	DESCRIPTION	APPROVAL	DATE
SCALE	3/8"=1'-0"	DATE	8/30/22
DRAWN	M. TOLMAN	FILE NO.	N-283
CHECKED	BHA	PLOT	32

WALL PANEL
MARK W3

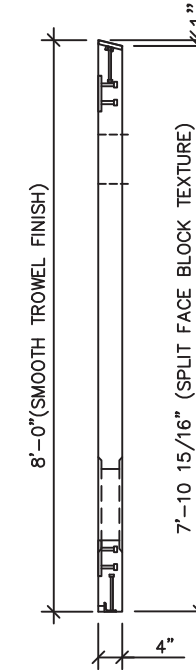
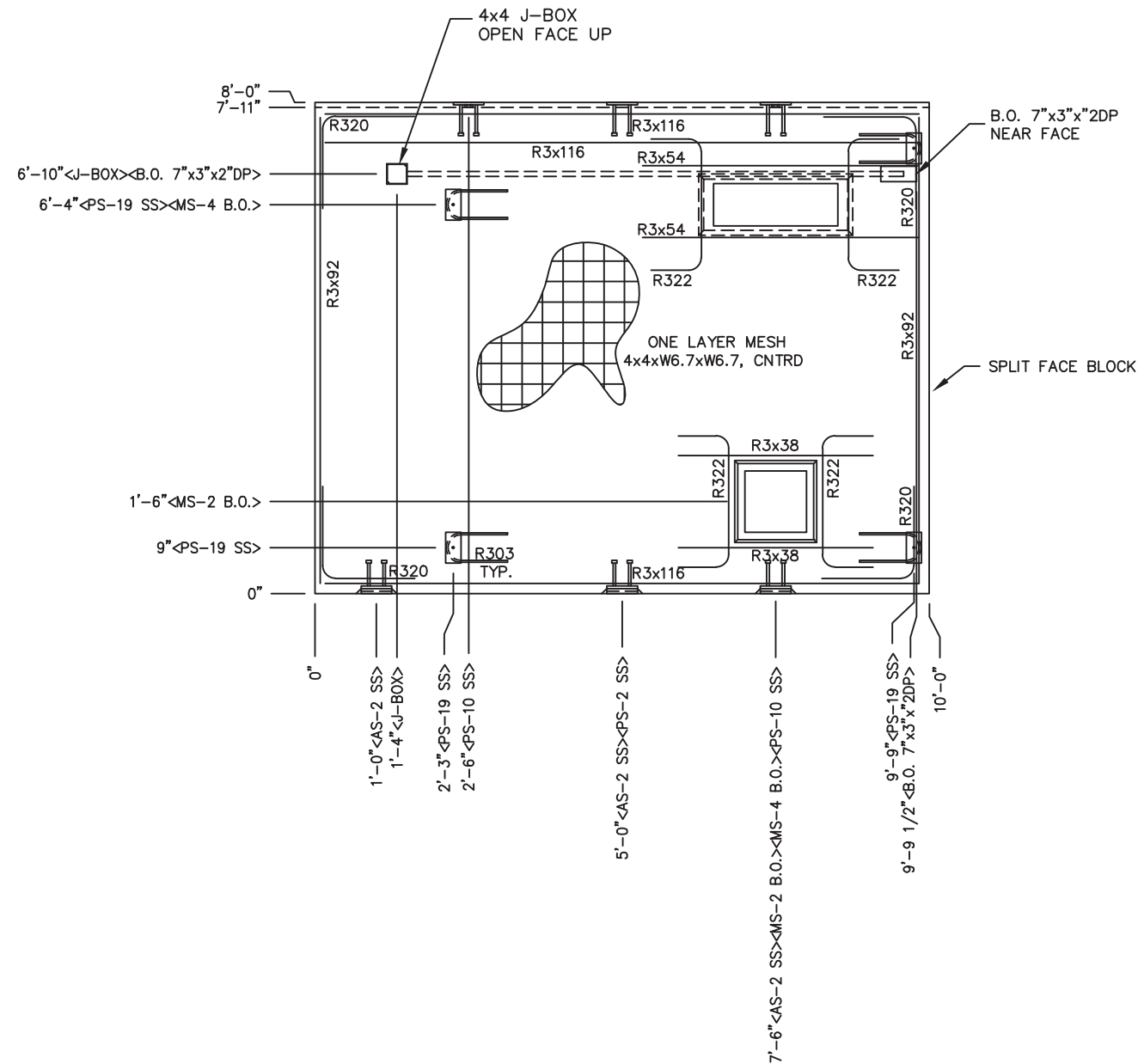
DWG NO.	SHEET	REV.
N-11	11 / 34	0



NOTES:

- EXCEPT R303, R322 & R3x38 REINFORCING BARS TO BE PLACED IN PAIRS ONE EACH FACE OF PANEL W/ 3/4" MIN. COVER ALL OTHER BARS TO BE CENTERED IN PANEL.

MARINE PACKAGE



NOTES:

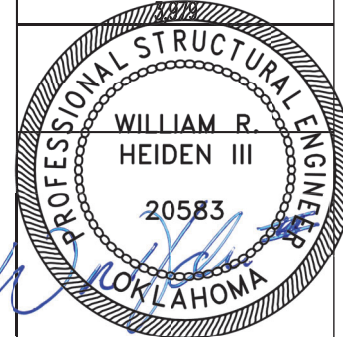
- EXCEPT R303, R320, R322 & R3x38 REINFORCING BARS TO BE PLACED IN PAIRS ONE EACH FACE OF PANEL W/ 3/4" MIN. COVER ALL OTHER BARS TO BE CENTERED IN PANEL.

EMBEDDED MATERIALS	
ITEM	QTY
AS-2 SS	3
PS-10 SS	2
PS-19 SS	4
R303	4
MS-4 B.O.	1
R3x116	6
R3x92	4
R320	4
MS-2 B.O.	1
PS-2 SS	1
R3x54	4
R322	4
R3x38	2
4x4 J-BOX	1
B.O. 7" x 3" x 2" DEEP	1

MARINE GRADE PACKAGE REQUIRED

CU. FT. CONC.	SQ. FT. W.W.F.
26.5 (0.98)	78

APPROXIMATE WEIGHT



September 25, 2022

LB Foster
CXT® Products

6707 E. Flamingo Ave. Bldg 300, Nampa, ID 83687
901 N. Highway 77 Hillsboro, TX 76645
362 Waverly Road Williamstown, WV 26187

PROJECT TITLE
NAVAJO
BUILDING NUMBER N-283

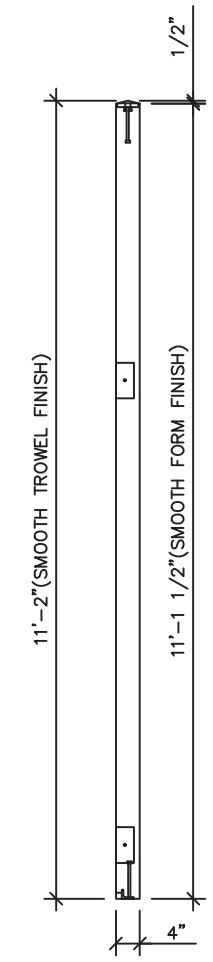
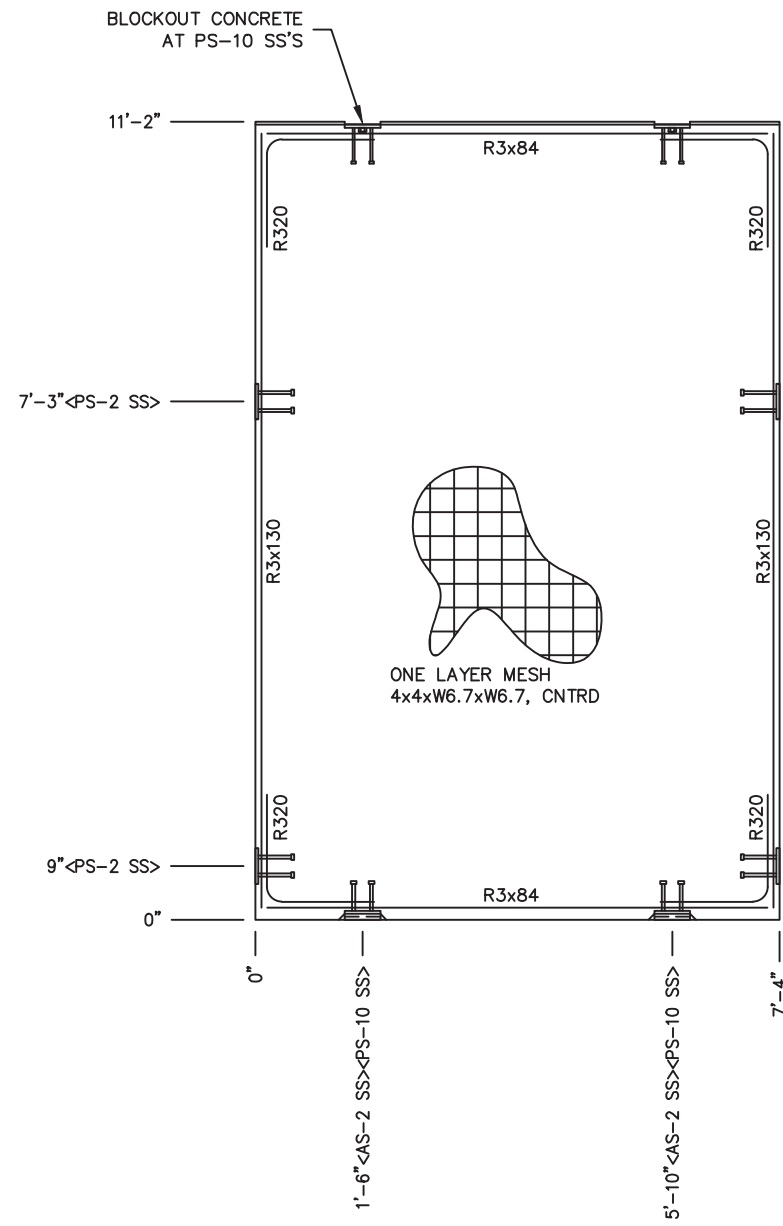
NOTICE
The information contained herein is proprietary and the exclusive property of CXT Incorporated. The information may only be used by the original recipient for the purpose intended. Reproduction or distribution of this information is strictly prohibited without the prior written consent of CXT Incorporated. By allowing use of this information, CXT Incorporated grants no warranty, express or implied, including a warranty of merchantability or of fitness for a particular purpose.
CXT Incorporated

REV.	DESCRIPTION	APPROVAL	DATE
SCALE	3/8"=1'-0"	DATE	8/30/22
DRAWN	M. TOLMAN	FILE NO.	N-283
CHECKED	BHA	PLOT	32

WALL PANEL MARK W4		
DWG NO.	SHEET	REV.
N-12	12	0
	34	

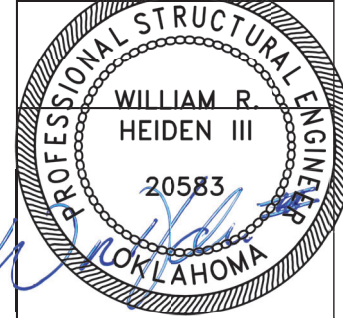
MARINE PACKAGE

EMBEDDED MATERIALS	
ITEM	QTY
AS-2 SS	2
PS-2 SS	4
PS-10 SS	2
R320	8
R3x84	4
R3x130	4



MARINE GRADE PACKAGE REQUIRED	
CU. FT. CONC.	SQ. FT. W.W.F.
27.2 (1.01)	82

APPROXIMATE WEIGHT



September 25, 2022

LBFoster
CXT® Products

6707 E. Flamingo Ave. Bldg 300, Nampa, ID 83687
901 N. Highway 77 Hillsboro, TX 76645
362 Waverly Road Williamstown, WV 26187

PROJECT TITLE
NAVAJO
BUILDING NUMBER N-283

NOTICE
The information contained herein is proprietary and the exclusive property of CXT Incorporated. The information may only be used by the original recipient for the purpose intended. Reproduction or distribution of this information is strictly prohibited without the prior written consent of CXT Incorporated. By allowing use of this information, CXT Incorporated grants no warranty, express or implied, including a warranty of merchantability or of fitness for a particular purpose.
CXT Incorporated

REV.	DESCRIPTION	APPROVAL	DATE
SCALE	3/8"=1'-0"	DATE	8/30/22
DRAWN	M. TOLMAN	FILE NO.	N-283
CHECKED	BHA	PLOT	32

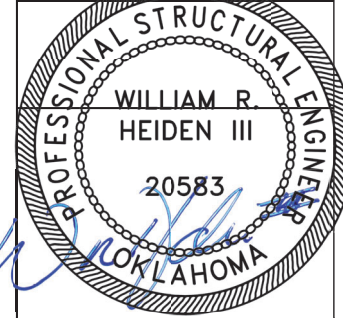
WALL PANEL MARK W5		
DWG NO.	SHEET	REV.
N-13	13 34	0

MARINE PACKAGE

EMBEDDED MATERIALS	
ITEM	QTY
AS-2 SS	5
PS-2 SS	10
FL648	4
R411	4
R320	12
PS-19 SS	2
R303	2
R316	1
R327	2
SI-2 MOLD	2
40 1/8" x 82 1/4" B.O.	2
R3x92	4
R3x98	8
R3x156	4
R3x162	4
4x4 J-BOX	2
MS-4 B.O.	2
B.O. 6" x 3" x 2" DEEP	1
R322	4
ROUND MUD RING	2

MARINE GRADE PACKAGE REQUIRED	
CU. FT. CONC.	SQ. FT. W.W.F.
64.9 (2.40)	195

APPROXIMATE WEIGHT



September 25, 2022

LB Foster
CXT® Products

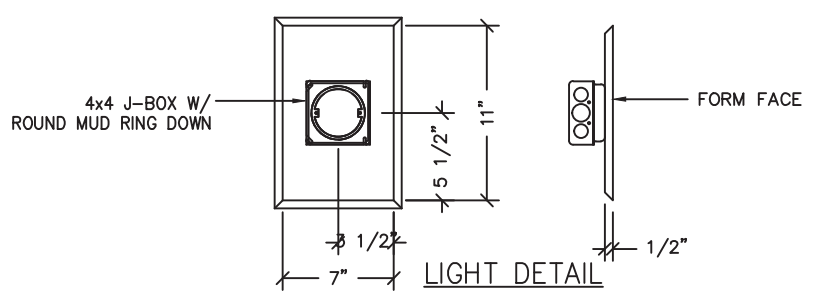
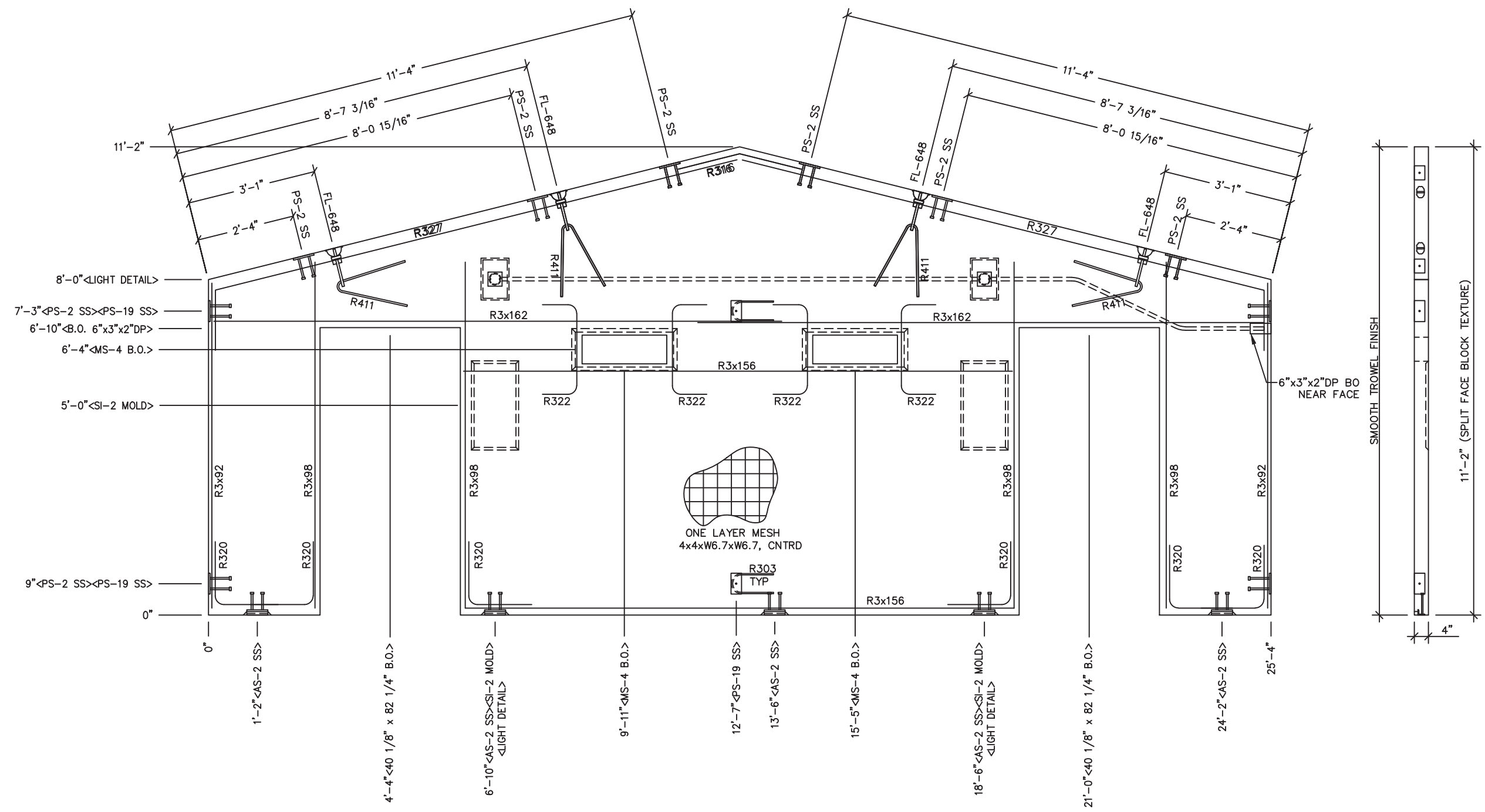
6707 E. Flamingo Ave. Bldg 300, Nampa, ID 83687
901 N. Highway 77 Hillsboro, TX 76645
362 Waverly Road Williamstown, WV 26187

PROJECT TITLE
NAVAJO
BUILDING NUMBER N-283

NOTICE
The information contained herein is proprietary and the exclusive property of CXT Incorporated. The information may only be used by the original recipient for the purpose intended. Reproduction or distribution of this information is strictly prohibited without the prior written consent of CXT Incorporated. By allowing use of this information, CXT Incorporated grants no warranty, express or implied, including a warranty of merchantability or of fitness for a particular purpose.
CXT Incorporated

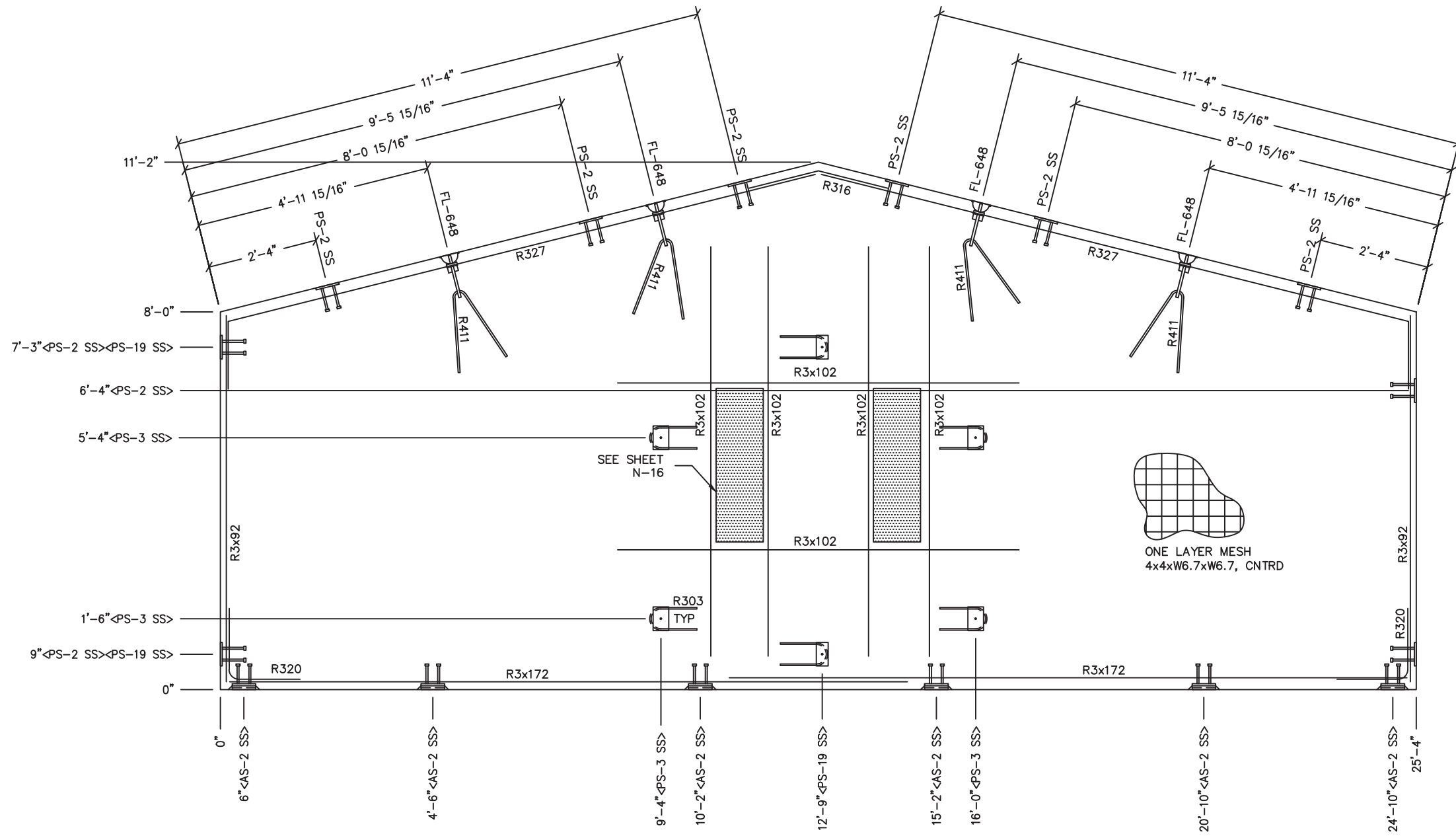
REV.	DESCRIPTION	APPROVAL	DATE
SCALE	3/8"=1'-0"	DATE	8/30/22
DRAWN	M. TOLMAN	FILE NO.	N-283
CHECKED	BHA	PLOT	32

WALL PANEL MARK W6		
DWG. NO.	SHEET	REV.
N-14	14 / 34	0



NOTES:
1. EXCEPT R411, R303, R327, R322 & R316, REINFORCING BARS TO BE PLACED IN PAIRS ONE EACH FACE OF PANEL W/ 3/4" MIN. COVER
ALL OTHER BARS TO BE CENTERED IN PANEL.

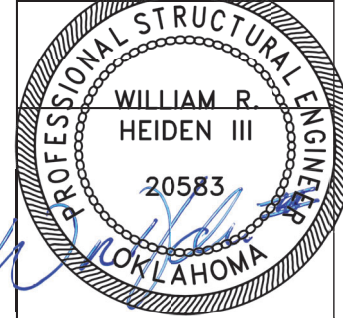
MARINE PACKAGE



EMBEDDED MATERIALS	
ITEM	QTY
AS-2 SS	6
PS-2 SS	10
FL648	4
R411	4
PS-3 SS	4
PS-19 SS	2
R303	6
R320	4
R316	1
R327	2
R3x172	4
R3x92	4
R3x102	6

MARINE GRADE PACKAGE REQUIRED	
CU. FT. CONC.	SQ. FT. W.W.F.
78.8 (2.92)	236

APPROXIMATE WEIGHT



September 25, 2022

LB Foster
CXT® Products

6707 E. Flamingo Ave. Bldg 300, Nampa, ID 83687
901 N. Highway 77 Hillsboro, TX 76645
362 Waverly Road Williamstown, WV 26187

PROJECT TITLE
NAVAJO
BUILDING NUMBER N-283

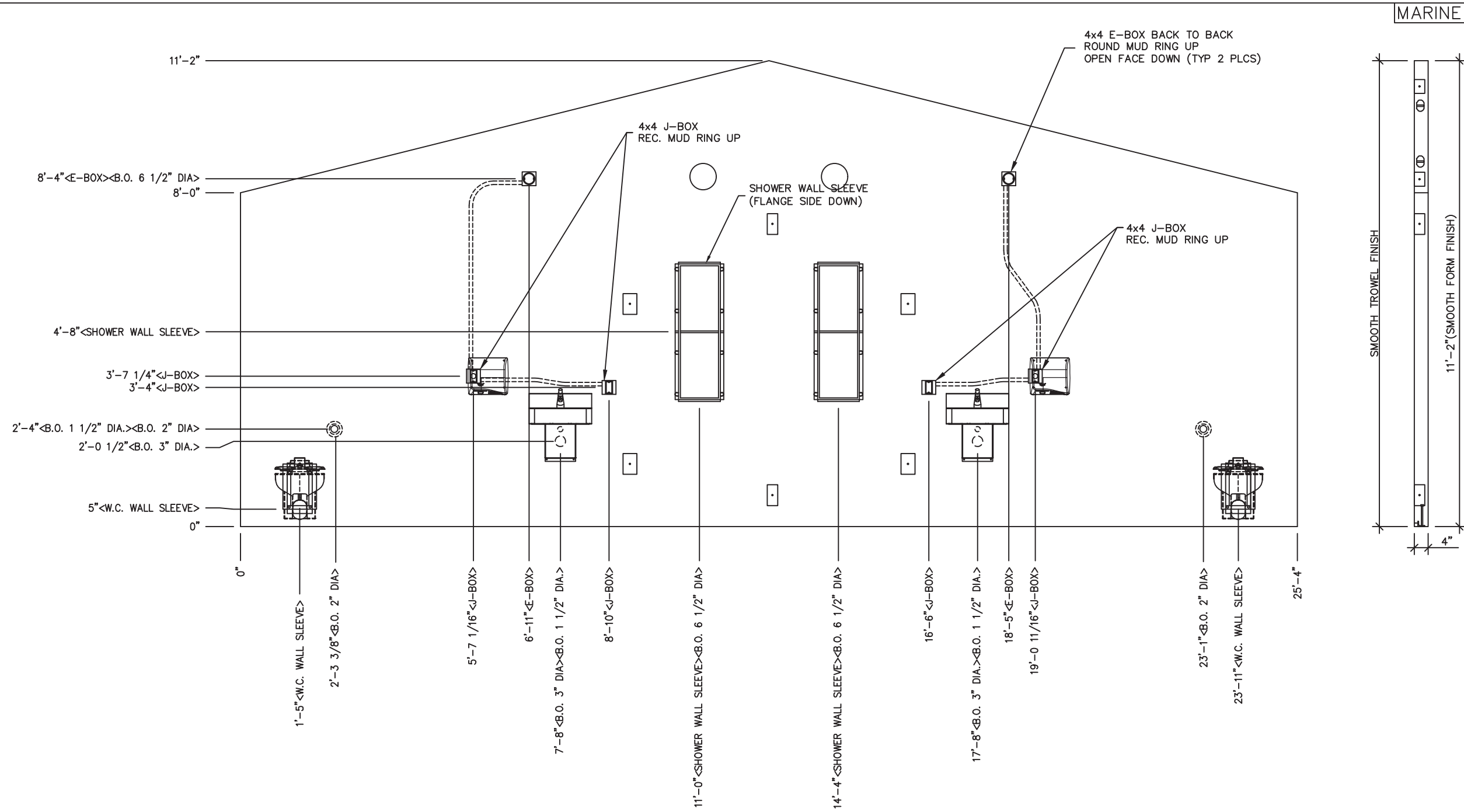
NOTICE
The information contained herein is proprietary and the exclusive property of CXT Incorporated. The information may only be used by the original recipient for the purpose intended. Reproduction or distribution of this information is strictly prohibited without the prior written consent of CXT Incorporated. By allowing use of this information, CXT Incorporated grants no warranty, express or implied, including a warranty of merchantability or of fitness for a particular purpose.
CXT Incorporated

REV.	DESCRIPTION	APPROVAL	DATE
SCALE	3/8"=1'-0"	DATE	8/30/22
DRAWN	M. TOLMAN	FILE NO.	N-283
CHECKED	BHA	PLOT	32

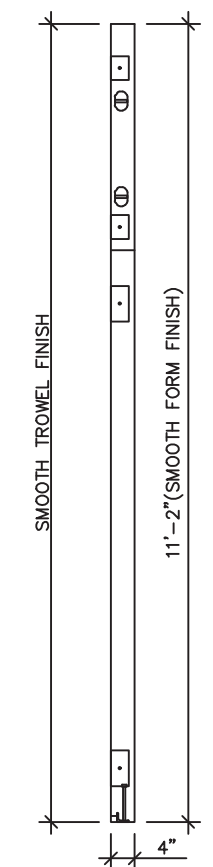
WALL PANEL
MARK W7

DWG NO.	SHEET	REV.
N-15	15	0
	34	

- NOTES:**
- EXCEPT R3X102, R303, R411, R327 & R316, REINFORCING BARS TO BE PLACED IN PAIRS ONE EACH FACE OF PANEL W/ 3/4" MIN. COVER



MARINE PACKAGE

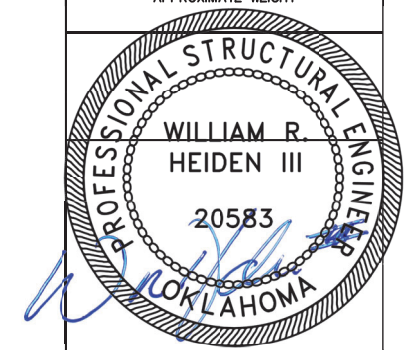


EMBEDDED MATERIALS	
ITEM	QTY
4x4 J-BOX	4
RECT MUD RING	4
SHOWER WALL SLEEVE	2
W.C. WALL SLEEVE	2
B.O. 3" DIA.	2
B.O. 1 1/2" DIA.	2
ROUND MUD RING	2
4x4 E-BOX	4
B.O. 6 1/2" DIAMETER	2
RECT. MUD RING	2
B.O. 2" DIA	2

MARINE PACKAGE REQUIRED

CU. FT. CONC. SQ. FT. W.W.F.

APPROXIMATE WEIGHT



September 25, 2022

LB Foster
CXT® Products

6707 E. Flamingo Ave. Bldg 300, Nampa, ID 83687
901 N. Highway 77 Hillsboro, TX 76645
362 Waverly Road Williamstown, WV 26187

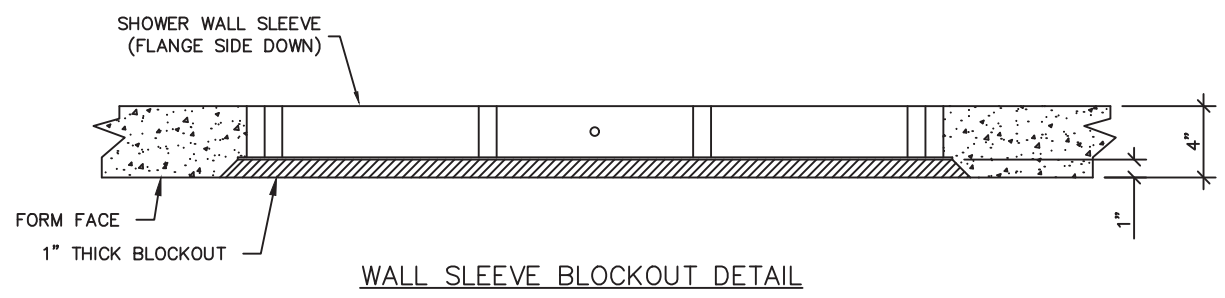
PROJECT TITLE
NAVAJO
BUILDING NUMBER **N-283**

NOTICE
The information contained herein is proprietary and the exclusive property of CXT Incorporated. The information may only be used by the original recipient for the purpose intended. Reproduction or distribution of this information is strictly prohibited without the prior written consent of CXT Incorporated. By allowing use of this information, CXT Incorporated grants no warranty, express or implied, including a warranty of merchantability or of fitness for a particular purpose.
CXT Incorporated

REV.	DESCRIPTION	APPROVAL	DATE
SCALE	3/8"=1'-0"	DATE	8/30/22
DRAWN	M. TOLMAN	FILE NO.	N-283
CHECKED	BHA	PLOT	32

WALL PANEL
MARK W7 BLOCKOUTS

DWG NO.	SHEET	REV.
N-16	16 / 34	0

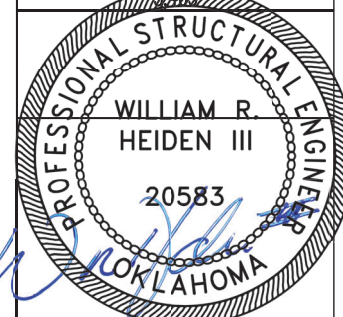


WALL SLEEVE BLOCKOUT DETAIL

MARINE PACKAGE

EMBEDDED MATERIALS	
ITEM	QTY
AS-2 SS	3
PS-10 SS	2
PS-19 SS	4
R303	4
MS-4 B.O.	1
R3x116	2
R3x92	4
R320	6
MS-2 B.O.	1
PS-2 SS	1
R3x54	4
R3x96	2
4x4 J-BOX	2
SI-2 MOLD	1
ROUND MUD RING	1
R322	4
R3x38	2

MARINE GRADE PACKAGE REQUIRED	
CU. FT. CONC.	SQ. FT. W.W.F.
22.7 (0.84)	66
APPROXIMATE WEIGHT	



September 25, 2022

LBFoster
CXT® Products

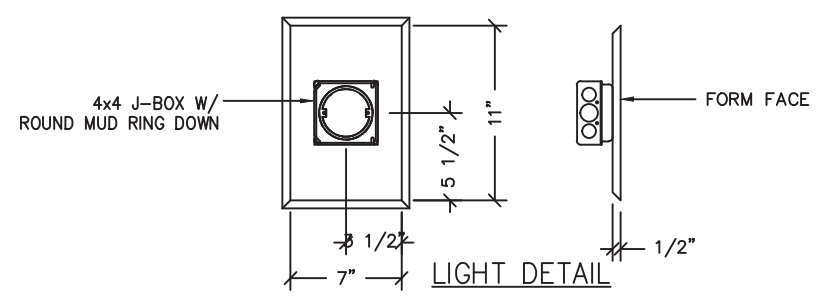
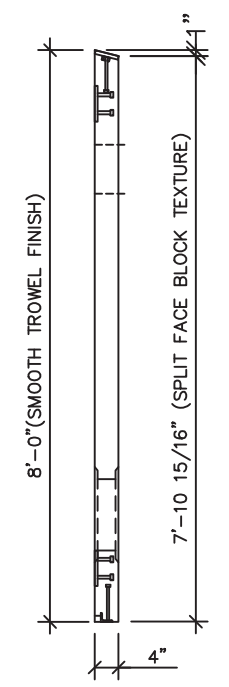
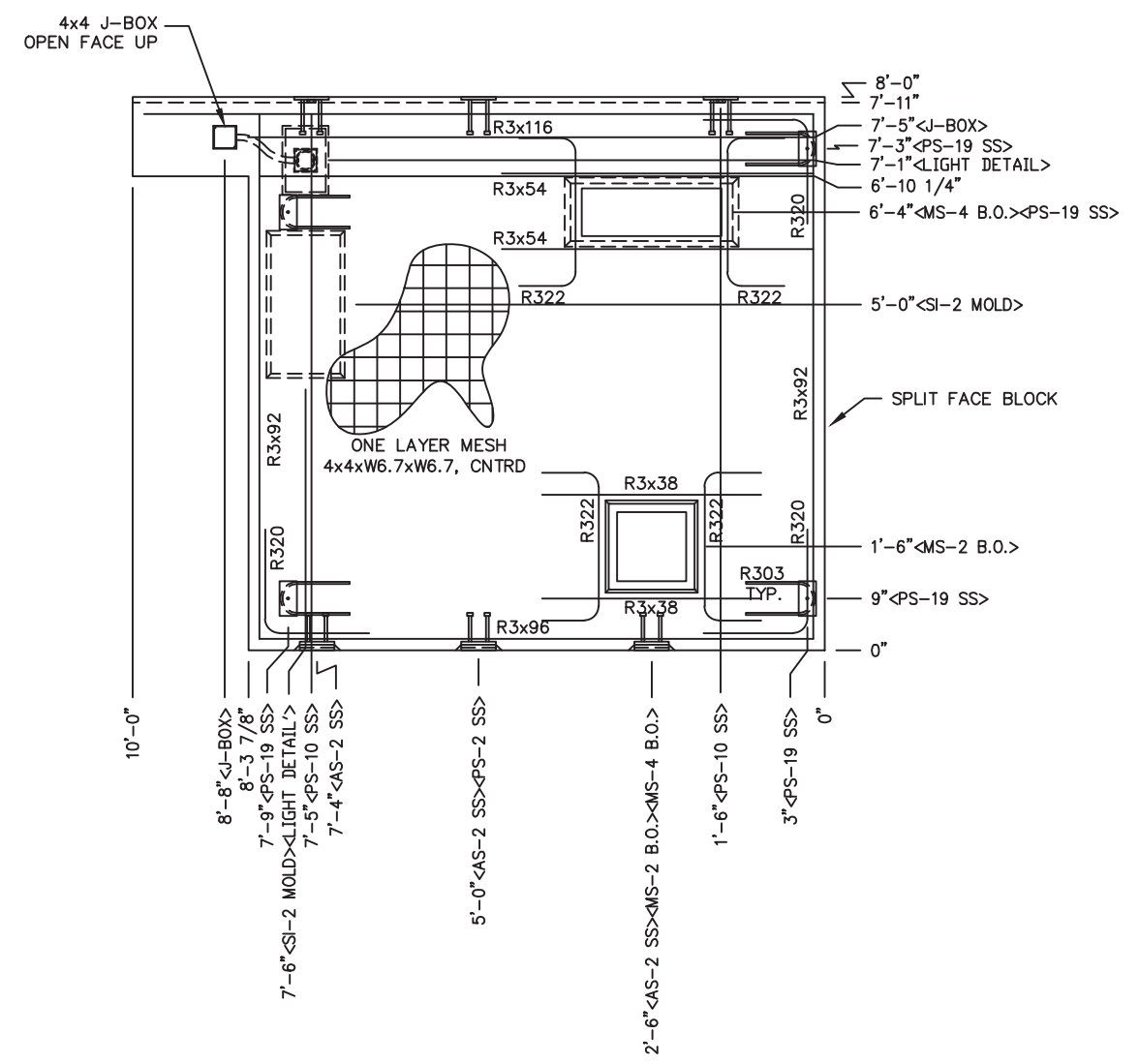
6707 E. Flamingo Ave. Bldg 300, Nampa, ID 83687
901 N. Highway 77 Hillsboro, TX 76645
362 Waverly Road Williamstown, WV 26187

PROJECT TITLE
NAVAJO
BUILDING NUMBER N-283

NOTICE
The information contained herein is proprietary and the exclusive property of CXT Incorporated. The information may only be used by the original recipient for the purpose intended. Reproduction or distribution of this information is strictly prohibited without the prior written consent of CXT Incorporated. By allowing use of this information, CXT Incorporated grants no warranty, express or implied, including a warranty of merchantability or of fitness for a particular purpose.
CXT Incorporated

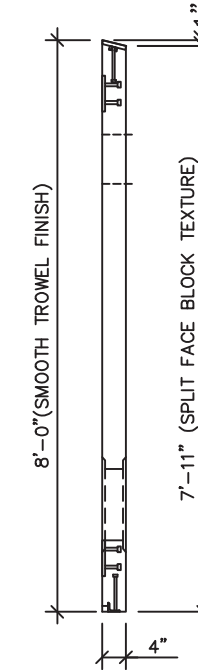
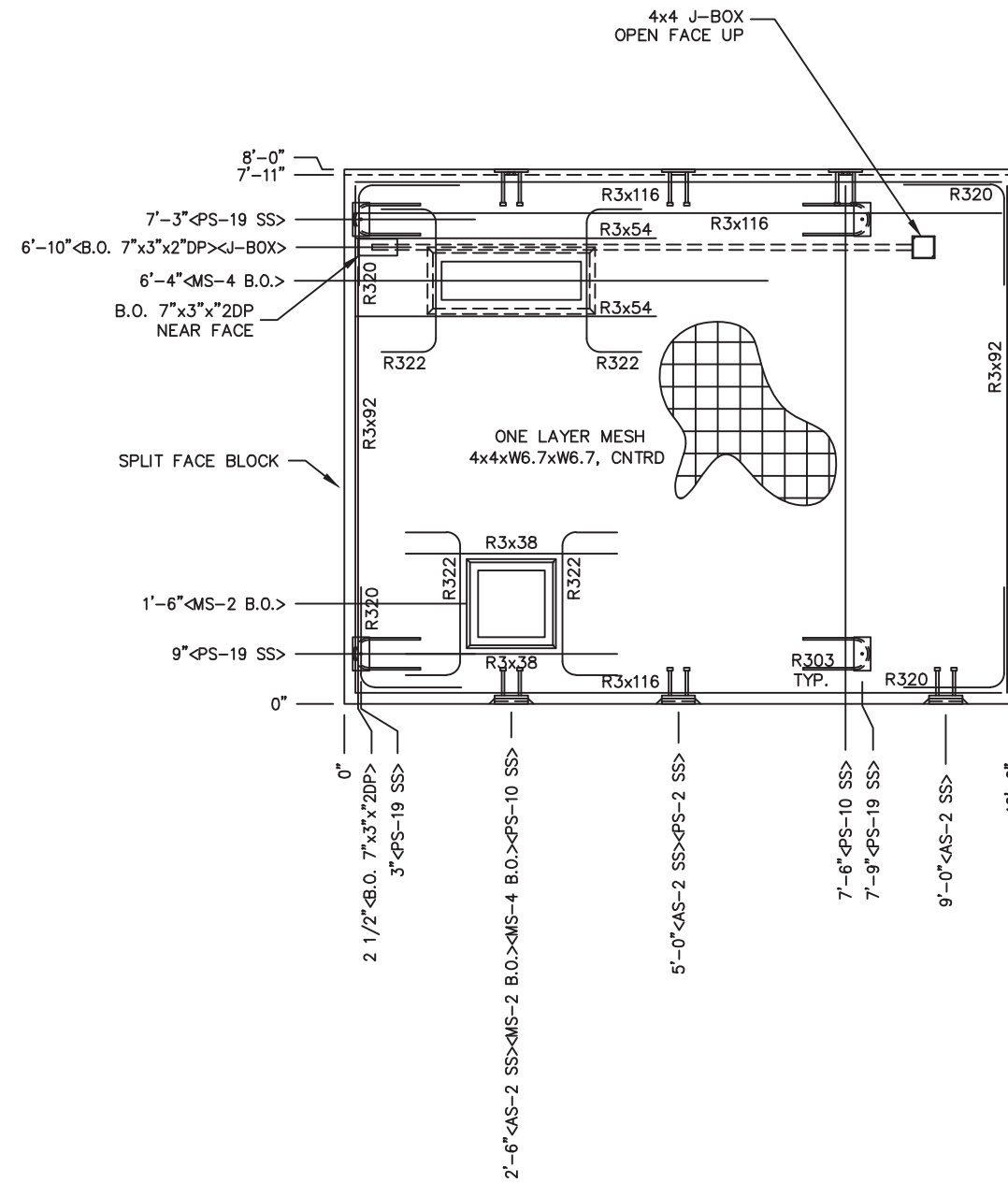
REV.	DESCRIPTION	APPROVAL	DATE
SCALE	3/8"-1'-0"	DATE	8/30/22
DRAWN	M. TOLMAN	FILE NO.	N-283
CHECKED	BHA	PLOT	32

WALL PANEL MARK W8		
DWG NO.	SHEET	REV.
N-17	17 34	0



NOTES:
1. EXCEPT R303, R322 & R3x38 REINFORCING BARS TO BE PLACED IN PAIRS ONE EACH FACE OF PANEL W/ 3/4" MIN. COVER ALL OTHER BARS TO BE CENTERED IN PANEL.

MARINE PACKAGE



NOTES:

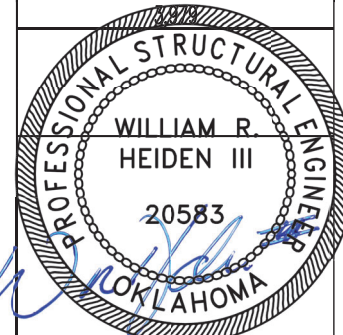
- EXCEPT R303, R320, R322 & R3x38 REINFORCING BARS TO BE PLACED IN PAIRS ONE EACH FACE OF PANEL W/ 3/4" MIN. COVER ALL OTHER BARS TO BE CENTERED IN PANEL.

EMBEDDED MATERIALS	
ITEM	QTY
AS-2 SS	3
PS-10 SS	2
PS-19 SS	4
R303	4
MS-4 B.O.	1
R3x116	6
R3x92	4
R320	4
MS-2 B.O.	1
PS-2 SS	1
R3x54	4
R322	4
R3x38	2
4x4 J-BOX	1
B.O. 7" x 3" x 2" DEEP	1

MARINE GRADE PACKAGE REQUIRED

CU. FT. CONC.	SQ. FT. W.W.F.
26.5 (0.98)	78

APPROXIMATE WEIGHT



September 25, 2022

LB Foster
CXT® Products

6707 E. Flamingo Ave. Bldg 300, Nampa, ID 83687
901 N. Highway 77 Hillsboro, TX 76645
362 Waverly Road Williamstown, WV 26187

PROJECT TITLE

NAVAJO
BUILDING NUMBER N-283

NOTICE

The information contained herein is proprietary and the exclusive property of CXT Incorporated. The information may only be used by the original recipient for the purpose intended. Reproduction or distribution of this information is strictly prohibited without the prior written consent of CXT Incorporated. By allowing use of this information, CXT Incorporated grants no warranty, express or implied, including a warranty of merchantability or of fitness for a particular purpose.

CXT Incorporated

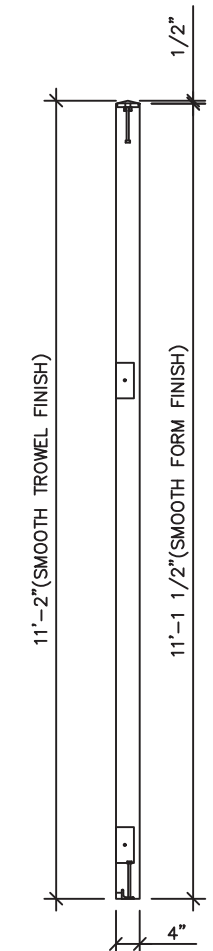
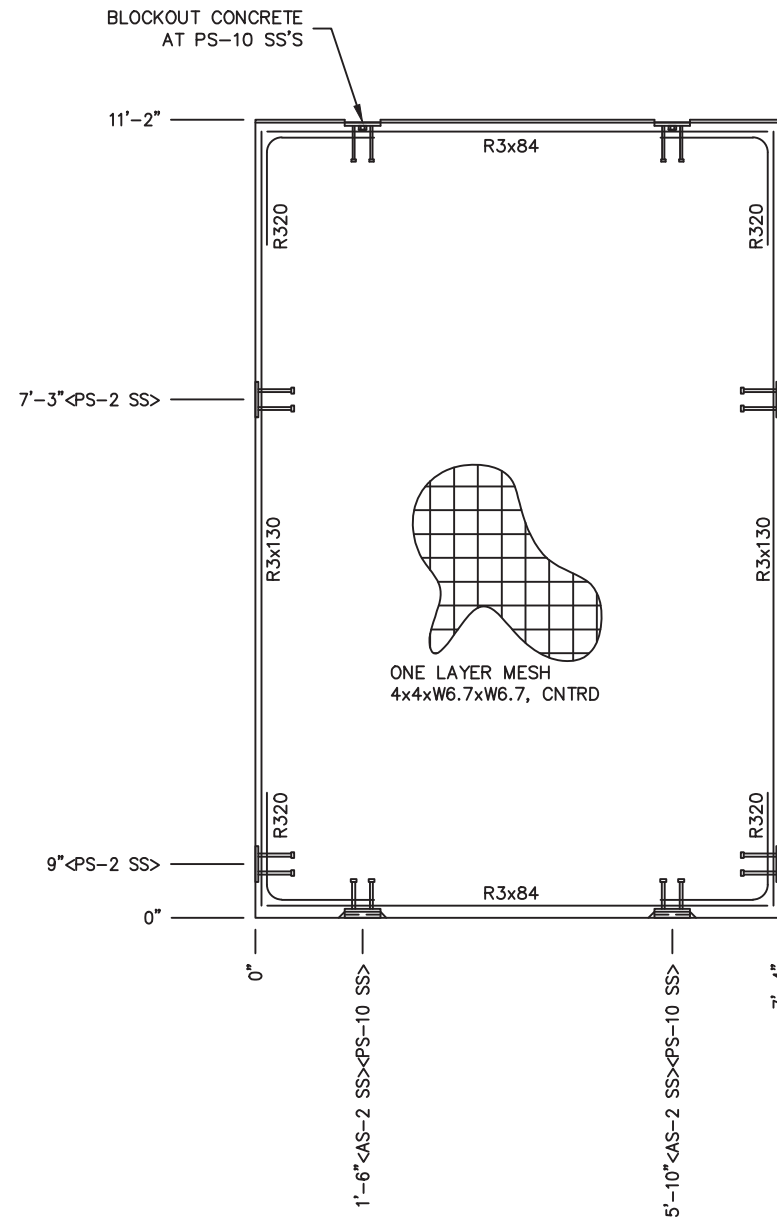
REV.	DESCRIPTION	APPROVAL	DATE
SCALE	3/8"=1'-0"	DATE	8/30/22
DRAWN	M. TOLMAN	FILE NO.	N-283
CHECKED	BHA	PLOT	32

WALL PANEL
MARK W9

DWG. NO.	SHEET	REV.
N-18	18/34	0

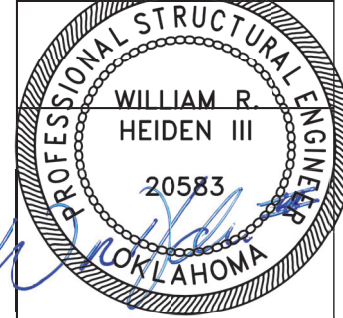
MARINE PACKAGE

EMBEDDED MATERIALS	
ITEM	QTY
AS-2 SS	2
PS-2 SS	4
PS-10 SS	2
R320	8
R3x84	4
R3x130	4



MARINE GRADE PACKAGE REQUIRED	
CU. FT. CONC.	SQ. FT. W.W.F.
27.2 (1.01)	82

APPROXIMATE WEIGHT



September 25, 2022

LBFoster
CXT® Products

6707 E. Flamingo Ave. Bldg 300, Nampa, ID 83687
901 N. Highway 77 Hillsboro, TX 76645
362 Waverly Road Williamstown, WV 26187

PROJECT TITLE
NAVAJO
BUILDING NUMBER N-283

NOTICE
The information contained herein is proprietary and the exclusive property of CXT Incorporated. The information may only be used by the original recipient for the purpose intended. Reproduction or distribution of this information is strictly prohibited without the prior written consent of CXT Incorporated. By allowing use of this information, CXT Incorporated grants no warranty, express or implied, including a warranty of merchantability or of fitness for a particular purpose.
CXT Incorporated

REV.	DESCRIPTION	APPROVAL	DATE
SCALE	3/8"=1'-0"	DATE	8/30/22
DRAWN	M. TOLMAN	FILE NO.	N-283
CHECKED	BHA	PLOT	32

WALL PANEL
MARK W10

DWG NO.	SHEET	REV.
N-19	19 34	0

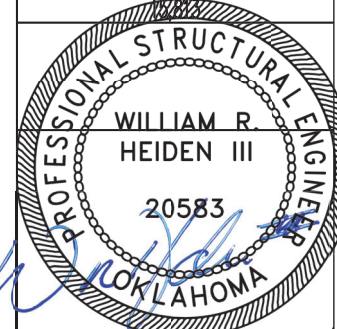
MARINE PACKAGE

EMBEDDED MATERIALS	
ITEM	QTY
PS-19 SS	16
AS-5	8
PS-3 SS	2
R3x116	2
R303	4
R3x184	1
R3x172	4
B.O. 6" x 24"	1
R3x34	8
R3x42	24
FLOOR DRAIN	4
1" PVC SCH40 x 9'-9"	2
PT CHUCK	2
SECTIONAL B.O.	2
DRAIN PAN 2'-10"x5'-0"	1

MARINE GRADE PACKAGE REQUIRED

CU. FT. CONC.	SQ. FT. W.W.F.
105.4 (3.90)	506

APPROXIMATE WEIGHT



September 25, 2022

LB Foster
CXT® Products

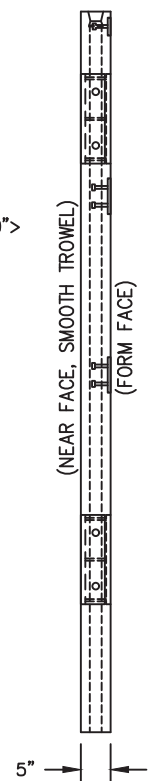
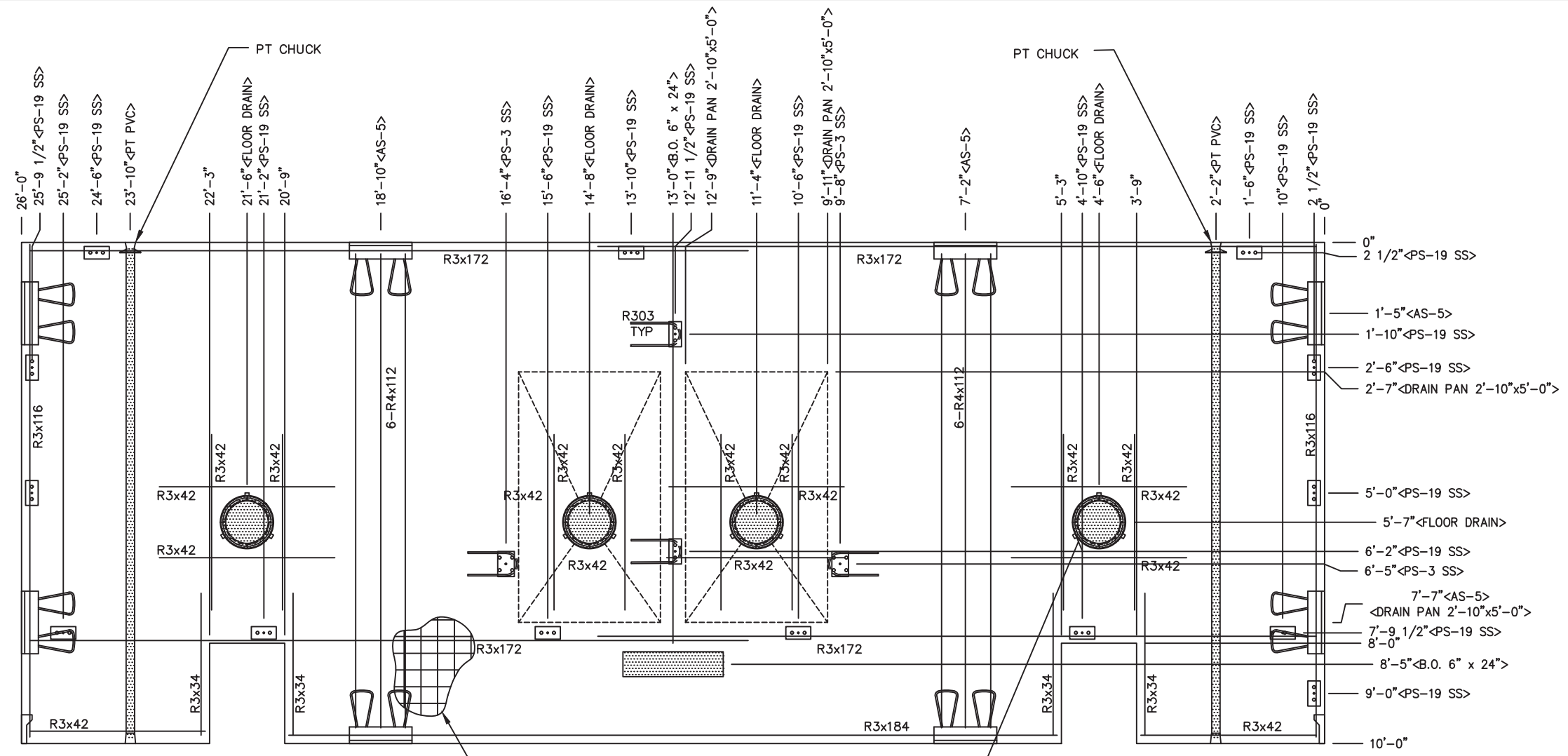
6707 E. Flamingo Ave. Bldg 300, Nampa, ID 83687
901 N. Highway 77 Hillsboro, TX 76645
362 Waverly Road Williamstown, WV 26187

PROJECT TITLE
NAVAJO
BUILDING NUMBER N-283

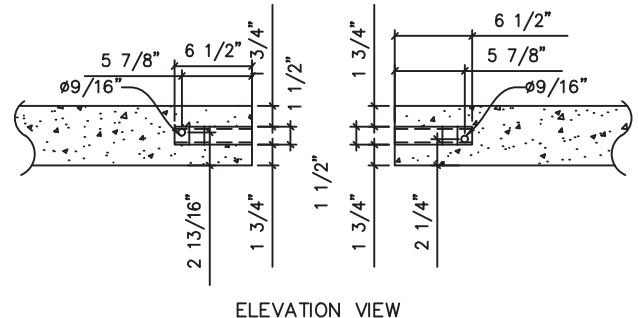
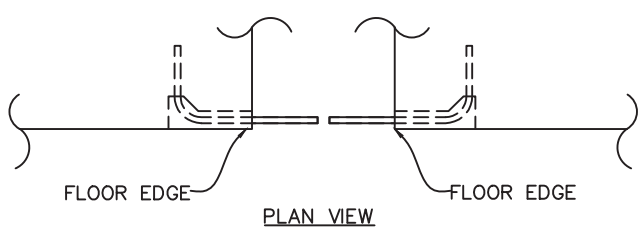
NOTICE
The information contained herein is proprietary and the exclusive property of CXT Incorporated. The information may only be used by the original recipient for the purpose intended. Reproduction or distribution of this information is strictly prohibited without the prior written consent of CXT Incorporated. By allowing use of this information, CXT Incorporated grants no warranty, express or implied, including a warranty of merchantability or of fitness for a particular purpose.
CXT Incorporated

REV.	DESCRIPTION	APPROVAL	DATE
SCALE	3/8"-1'-0"	DATE	8/30/22
DRAWN	M. TOLMAN	FILE NO.	N-283
CHECKED	BHA	PLOT	32

FLOOR SLAB MARK F1	
DWG. NO. N-20	SHEET 20 34
REV. 0	

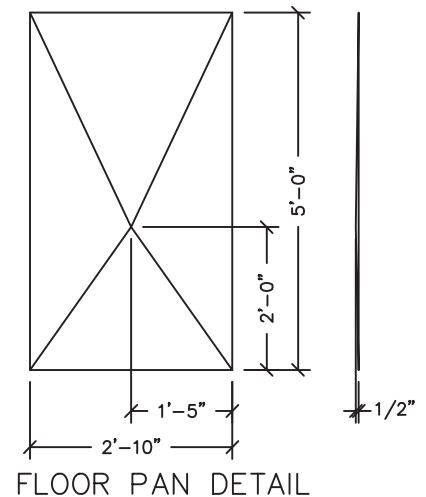
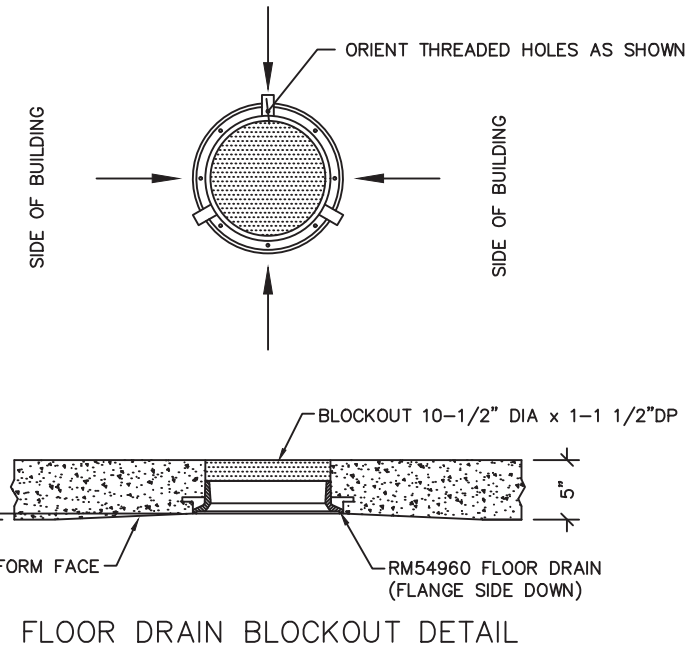


SECTIONAL CONNECTION DETAIL



2 LAYERS MESH 4x4xW6.7xW6.7
(1) 1" CLEAR TOP
(1) 1 1/2" CLEAR BTM

SEE FLOOR DRAIN DETAIL
(TYP 4 PLCS)



NOTES:

- FLOOR TO BE CAST UPSIDE DOWN W/ SHOWER PANS
- EXCEPT R303, R4x116, R3x172, & R3x184, REINFORCING BARS TO BE PLACED IN PAIRS ONE EACH FACE OF PANEL WITH 1 1/4" MIN. COVER
- ALL OTHER BARS TO BE CENTERED IN PANEL.

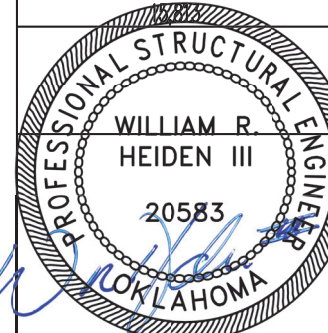
MARINE PACKAGE

EMBEDDED MATERIALS	
ITEM	QTY
PS-19 SS	16
AS-5	8
PS-3 SS	2
R3x116	2
R303	4
R3x184	1
R4x112	12
R3x172	4
B.O. 6" x 24"	1
R3x34	8
R3x42	36
FLOOR DRAIN	4
1" PVC SCH40 x 9'-9"	2
PT CHUCK	2
B.O. 6" DIA	1
SECTIONAL B.O.	2
DRAIN PAN 2'-10"x5'-0"	2

MARINE GRADE PACKAGE REQUIRED

CU. FT. CONC.	SQ. FT. W.W.F.
105.4 (3.90)	506

APPROXIMATE WEIGHT



September 25, 2022

LB Foster
CXT® Products

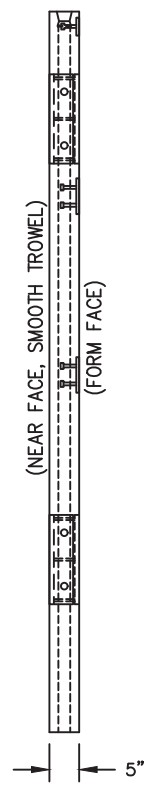
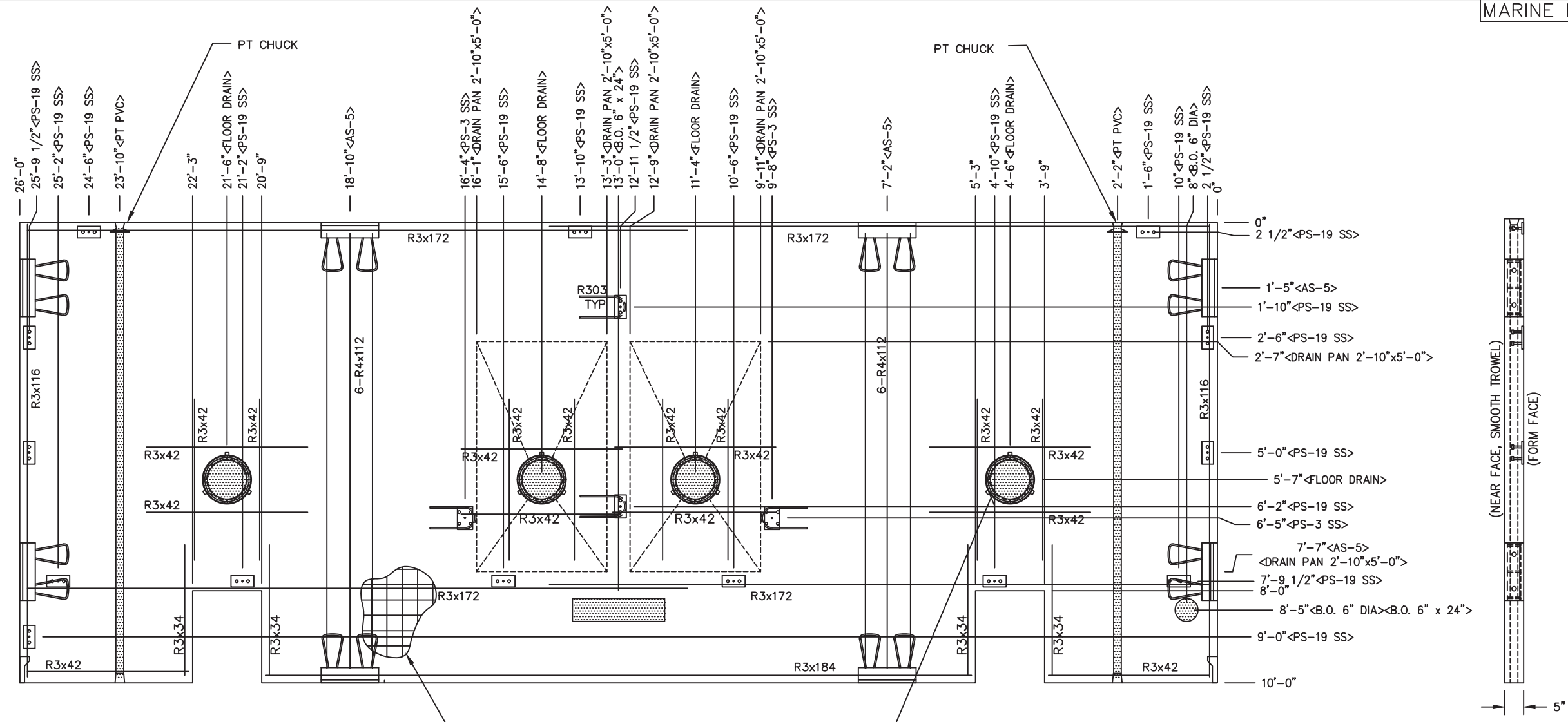
6707 E. Flamingo Ave. Bldg 300, Nampa, ID 83687
901 N. Highway 77 Hillsboro, TX 76645
362 Waverly Road Williamstown, WV 26187

PROJECT TITLE
NAVAJO
BUILDING NUMBER N-283

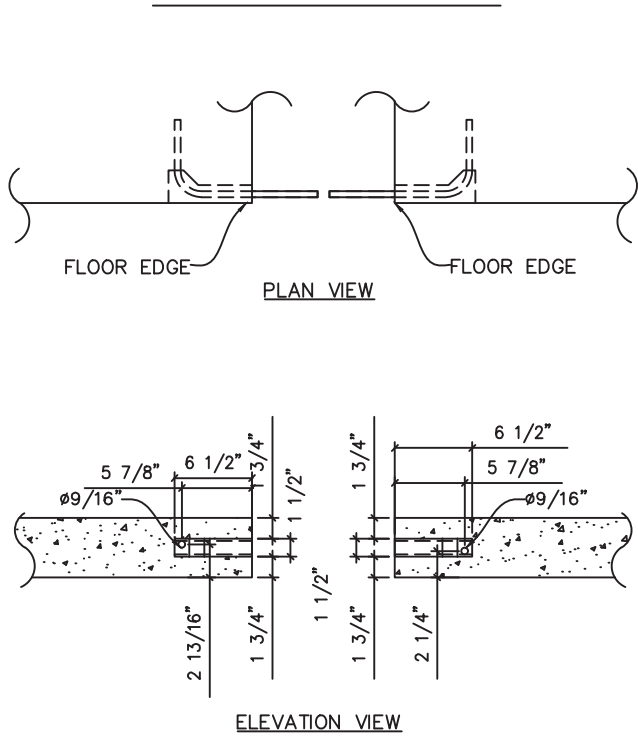
NOTICE
The information contained herein is proprietary and the exclusive property of CXT Incorporated. The information may only be used by the original recipient for the purpose intended. Reproduction or distribution of this information is strictly prohibited without the prior written consent of CXT Incorporated. By allowing use of this information, CXT Incorporated grants no warranty, express or implied, including a warranty of merchantability or of fitness for a particular purpose.

REV.	DESCRIPTION	APPROVAL	DATE
SCALE	3/8"-1'-0"	DATE	8/30/22
DRAWN	M. TOLMAN	FILE NO.	N-283
CHECKED	BHA	PLOT	32

FLOOR SLAB MARK F2		
DWG. NO.	SHEET	REV.
N-21	21	0

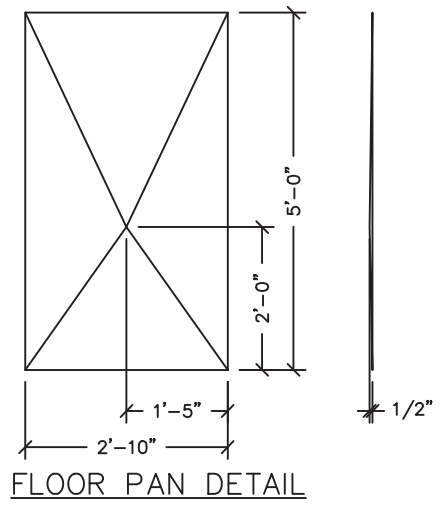
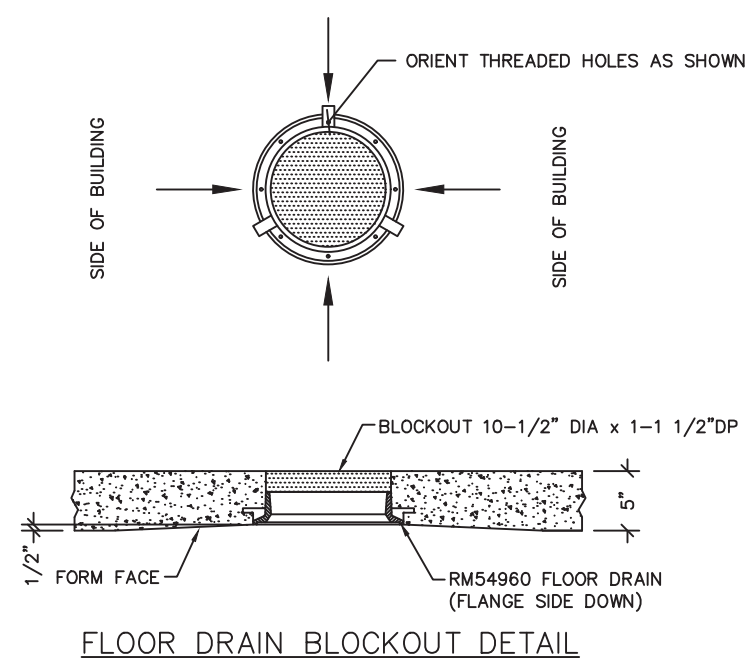


SECTIONAL CONNECTION DETAIL



2 LAYERS MESH 4x4xW6.7xW6.7
(1) 1" CLEAR TOP
(1) 1 1/2" CLEAR BTM

SEE FLOOR DRAIN DETAIL
(TYP 4 PLCS)



NOTES:

- FLOOR TO BE CAST UPSIDE DOWN W/ SHOWER PANS
- EXCEPT R303, R4x116, R3x172, & R3x184, REINFORCING BARS TO BE PLACED IN PAIRS ONE EACH FACE OF PANEL WITH 1 1/4" MIN. COVER
- ALL OTHER BARS TO BE CENTERED IN PANEL.

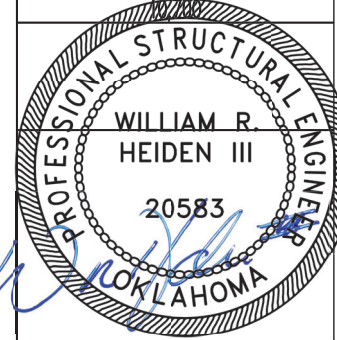
MARINE PACKAGE

EMBEDDED MATERIALS	
ITEM	QTY
PS-19 SS	11
FL847	4
FL648	4
R411	4
R303	11
R3x134	4
R3x175	2
R3x176	2
R320	4
B.O. 5" DIA	1
PT CHUCK	1
1" PVC SCH40 x 11'-3"	1
R4x18	16
B.O. 6 1/2" DIA	1
B.O. TEXT. 12"x12"	1

MARINE GRADE PACKAGE REQUIRED

CU. FT. CONC.	SQ. FT. W.W.F.
71.3 (2.64)	344

APPROXIMATE WEIGHT



September 25, 2022

LB Foster
CXT® Products

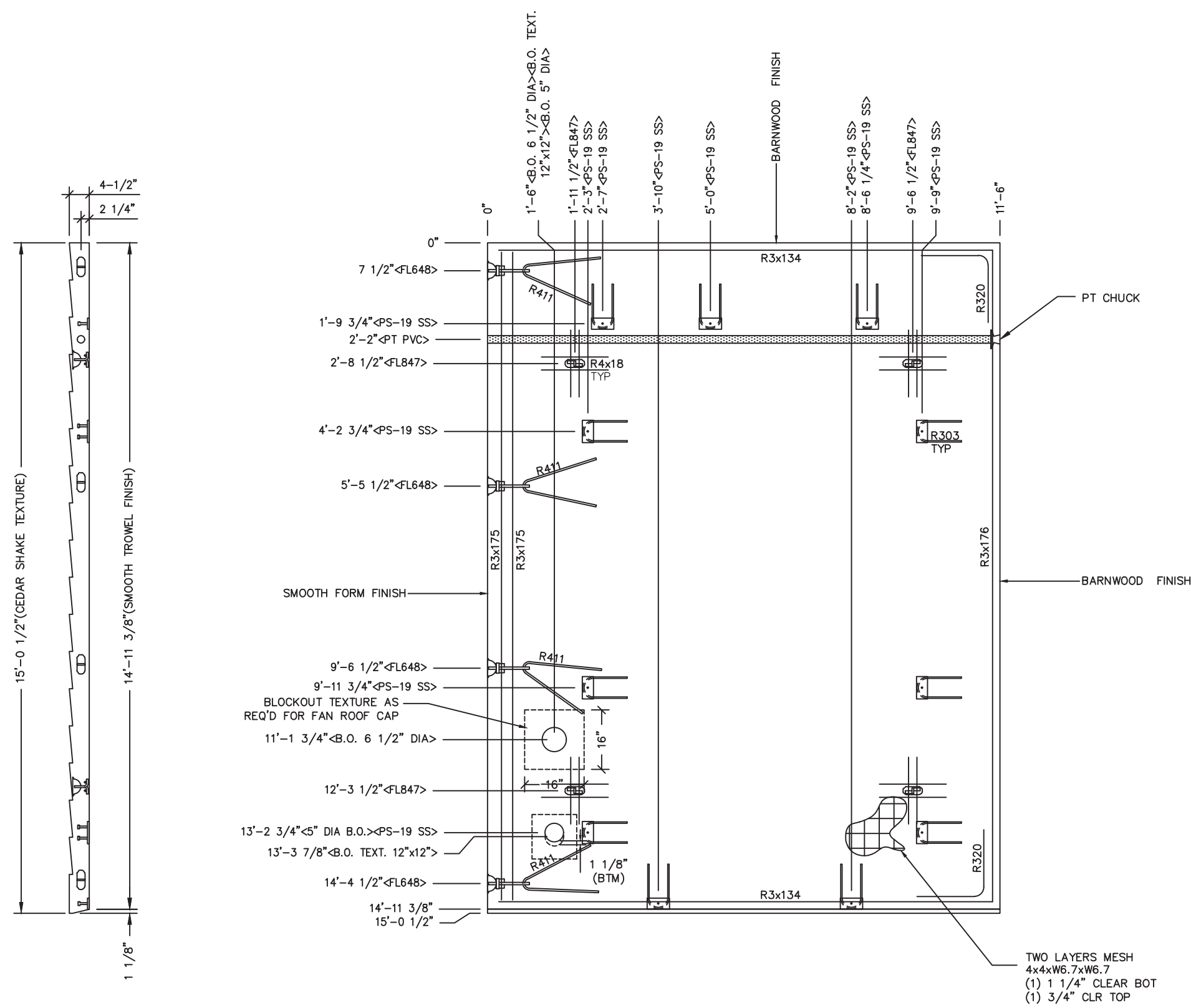
6707 E. Flamingo Ave. Bldg 300, Nampa, ID 83687
901 N. Highway 77 Hillsboro, TX 76645
362 Waverly Road Williamstown, WV 26187

PROJECT TITLE
NAVAJO
BUILDING NUMBER N-283

NOTICE
The information contained herein is proprietary and the exclusive property of CXT Incorporated. The information may only be used by the original recipient for the purpose intended. Reproduction or distribution of this information is strictly prohibited without the prior written consent of CXT Incorporated. By allowing use of this information, CXT Incorporated grants no warranty, express or implied, including a warranty of merchantability or of fitness for a particular purpose.
CXT Incorporated

REV.	DESCRIPTION	APPROVAL	DATE
SCALE	3/8"-1'-0"	DATE	8/30/22
DRAWN	M. TOLMAN	FILE NO.	N-283
CHECKED	BHA	PLOT	32

ROOF SLAB MARK R1		
DWG NO.	SHEET	REV.
N-22	22 34	0



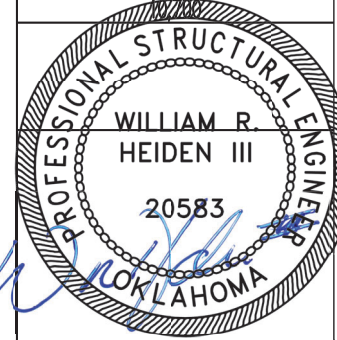
- NOTES:**
- EXCEPT R303, R411, R4x18, & R3x175 BARS TO BE PLACED IN PAIRS, ONE EACH FACE OF PANEL W/ 1 1/4" MIN. COVER. ALL OTHER BARS TO BE CENTERED IN PANEL.
 - PLACE BARS R4x18 UP IN FORM W/ 1 1/4" COVER

MARINE PACKAGE

EMBEDDED MATERIALS	
ITEM	QTY
PS-19 SS	11
FL847	4
FL648	4
R411	4
R303	11
R3x134	4
R3x175	2
R3x176	2
R320	4
R4x18	16
PT CHUCK	1
1" PVC SCH40 x 11'-3"	1
B.O. 6 1/2" DIA	1
B.O. TEXTURE 12x12	1

MARINE GRADE PACKAGE REQUIRED	
CU. FT. CONC.	SQ. FT. W.W.F.
71.3 (2.64)	344

APPROXIMATE WEIGHT



September 25, 2022

LBFoster
CXT® Products

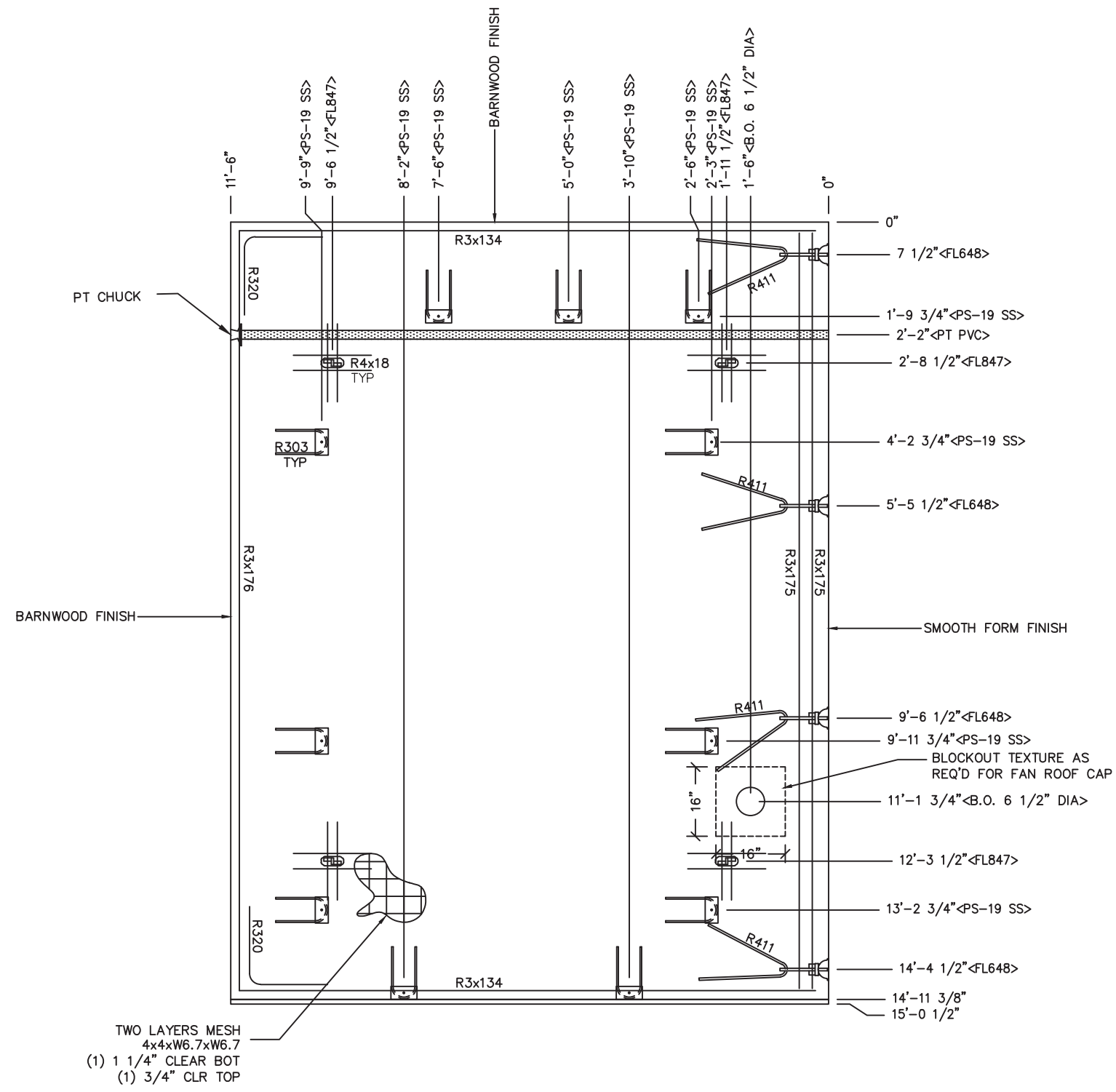
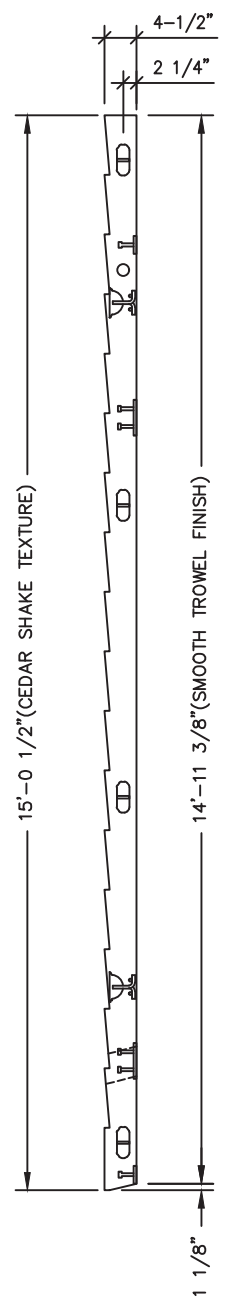
6707 E. Flamingo Ave. Bldg 300, Nampa, ID 83687
901 N. Highway 77 Hillsboro, TX 76645
362 Waverly Road Williamstown, WV 26187

PROJECT TITLE
NAVAJO
BUILDING NUMBER N-283

NOTICE
The information contained herein is proprietary and the exclusive property of CXT Incorporated. The information may only be used by the original recipient for the purpose intended. Reproduction or distribution of this information is strictly prohibited without the prior written consent of CXT Incorporated. By allowing use of this information, CXT Incorporated grants no warranty, express or implied, including a warranty of merchantability or of fitness for a particular purpose.
CXT Incorporated

REV.	DESCRIPTION	APPROVAL	DATE
SCALE	3/8"=1'-0"	DATE	8/30/22
DRAWN	M. TOLMAN	FILE NO.	N-283
CHECKED	BHA	PLOT	32

ROOF SLAB MARK R2		
DWG NO.	SHEET	REV.
N-23	23	0
	34	



TWO LAYERS MESH
4x4xW6.7xW6.7
(1) 1 1/4" CLEAR BOT
(1) 3/4" CLR TOP

NOTES:

- EXCEPT R303, R411, R4x18, & R3x175 BARS TO BE PLACED IN PAIRS, ONE EACH FACE OF PANEL W/ 1 1/4" MIN. COVER. ALL OTHER BARS TO BE CENTERED IN PANEL.
- PLACE BARS R4x18 UP IN FORM W/ 1 1/4" COVER

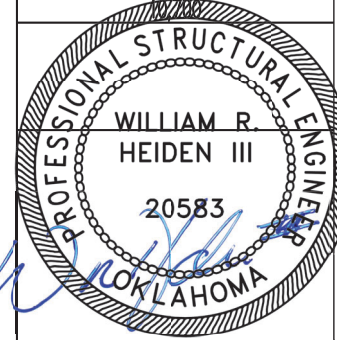
MARINE PACKAGE

EMBEDDED MATERIALS	
ITEM	QTY
PS-19 SS	11
FL847	4
FL648	4
R411	4
R303	11
R3x134	4
R3x175	2
R3x176	2
R320	4
B.O. 5" DIA	1
PT CHUCK	1
1" PVC SCH40 x 11'-3"	1
R4x18	16
B.O. 6 1/2" DIA	1
B.O. TEXT. 12"x12"	1

MARINE GRADE PACKAGE REQUIRED

CU. FT. CONC.	SQ. FT. W.W.F.
71.3 (2.64)	344

APPROXIMATE WEIGHT



September 25, 2022

LB Foster
CXT® Products

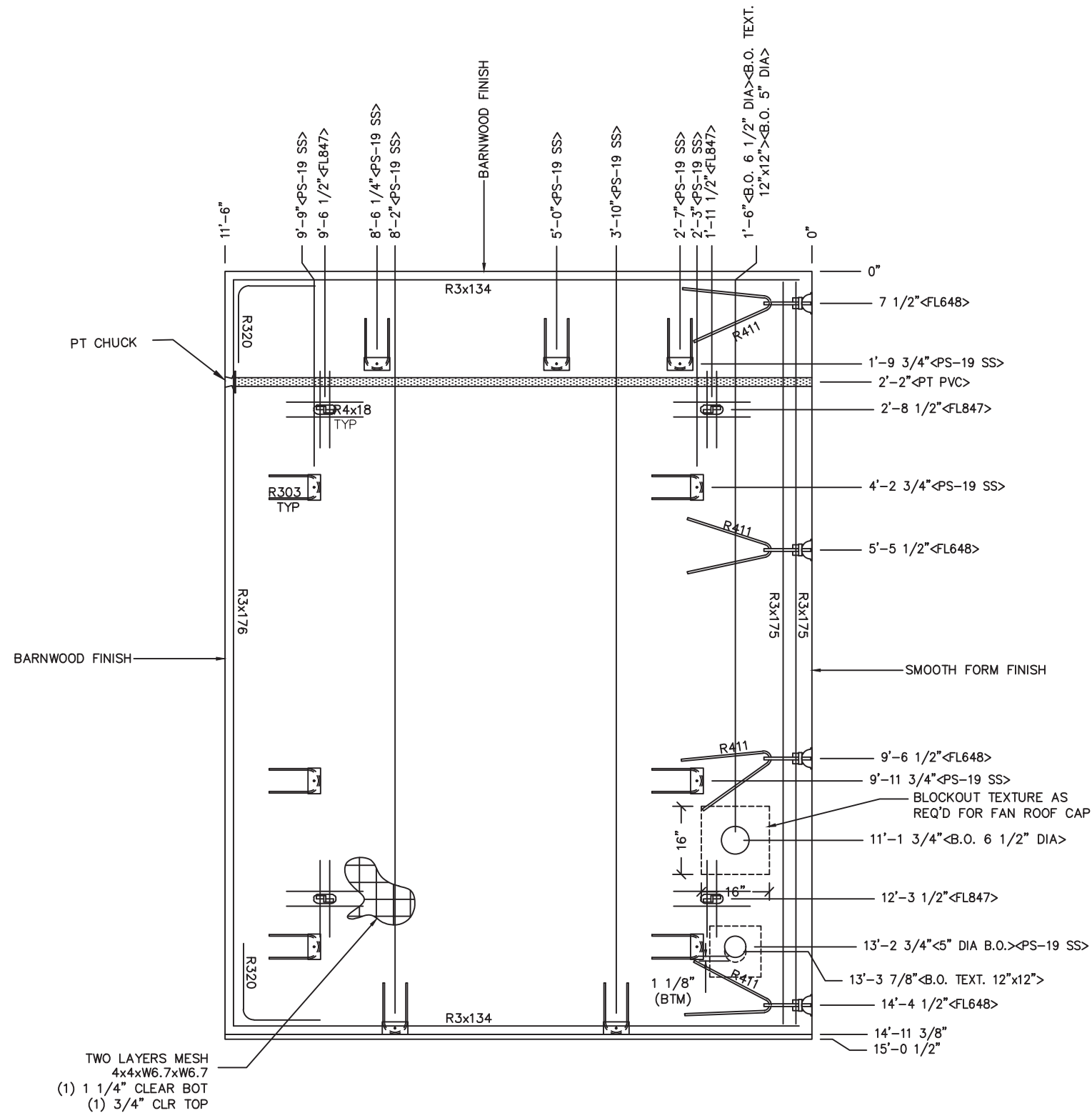
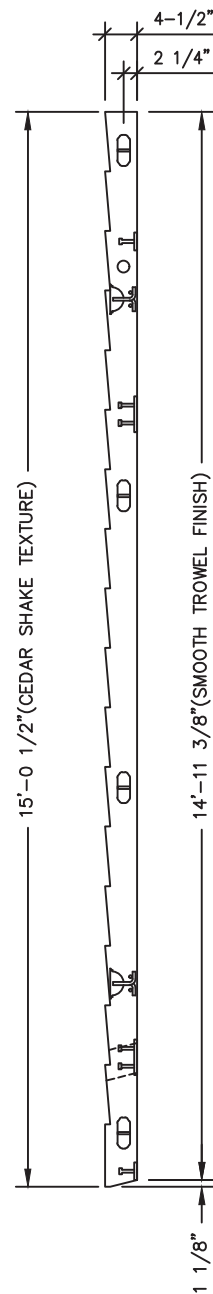
6707 E. Flamingo Ave. Bldg 300, Nampa, ID 83687
901 N. Highway 77 Hillsboro, TX 76645
362 Waverly Road Williamstown, WV 26187

PROJECT TITLE
NAVAJO
BUILDING NUMBER N-283

NOTICE
The information contained herein is proprietary and the exclusive property of CXT Incorporated. The information may only be used by the original recipient for the purpose intended. Reproduction or distribution of this information is strictly prohibited without the prior written consent of CXT Incorporated. By allowing use of this information, CXT Incorporated grants no warranty, express or implied, including a warranty of merchantability or of fitness for a particular purpose.
CXT Incorporated

REV.	DESCRIPTION	APPROVAL	DATE
SCALE	3/8"=1'-0"	DATE	8/30/22
DRAWN	M. TOLMAN	FILE NO.	N-283
CHECKED	BHA	PLOT	32

ROOF SLAB MARK R3		
DWG NO. N-24	SHEET 24 34	REV. 0



TWO LAYERS MESH
4x4xW6.7xW6.7
(1) 1 1/4" CLR BOT
(1) 3/4" CLR TOP

NOTES:

- EXCEPT R303, R411, R4x18, & R3x175 BARS TO BE PLACED IN PAIRS, ONE EACH FACE OF PANEL W/ 1 1/4" MIN. COVER. ALL OTHER BARS TO BE CENTERED IN PANEL.
- PLACE BARS R4x18 UP IN FORM W/ 1 1/4" COVER

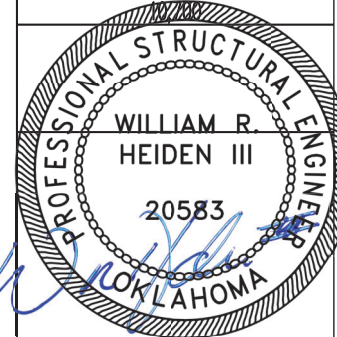
MARINE PACKAGE

EMBEDDED MATERIALS	
ITEM	QTY
PS-19 SS	11
FL847	4
FL648	4
R411	4
R303	11
R3x134	4
R3x175	2
R3x176	2
R320	4
R4x18	16
PT CHUCK	1
1" PVC SCH40 x 11'-3"	1
B.O. 6 1/2" DIA	1
B.O. TEXTURE 12x12	1

MARINE GRADE PACKAGE REQUIRED

CU. FT. CONC.	SQ. FT. W.W.F.
71.3 (2.64)	344

APPROXIMATE WEIGHT



September 25, 2022

LB Foster
CXT® Products

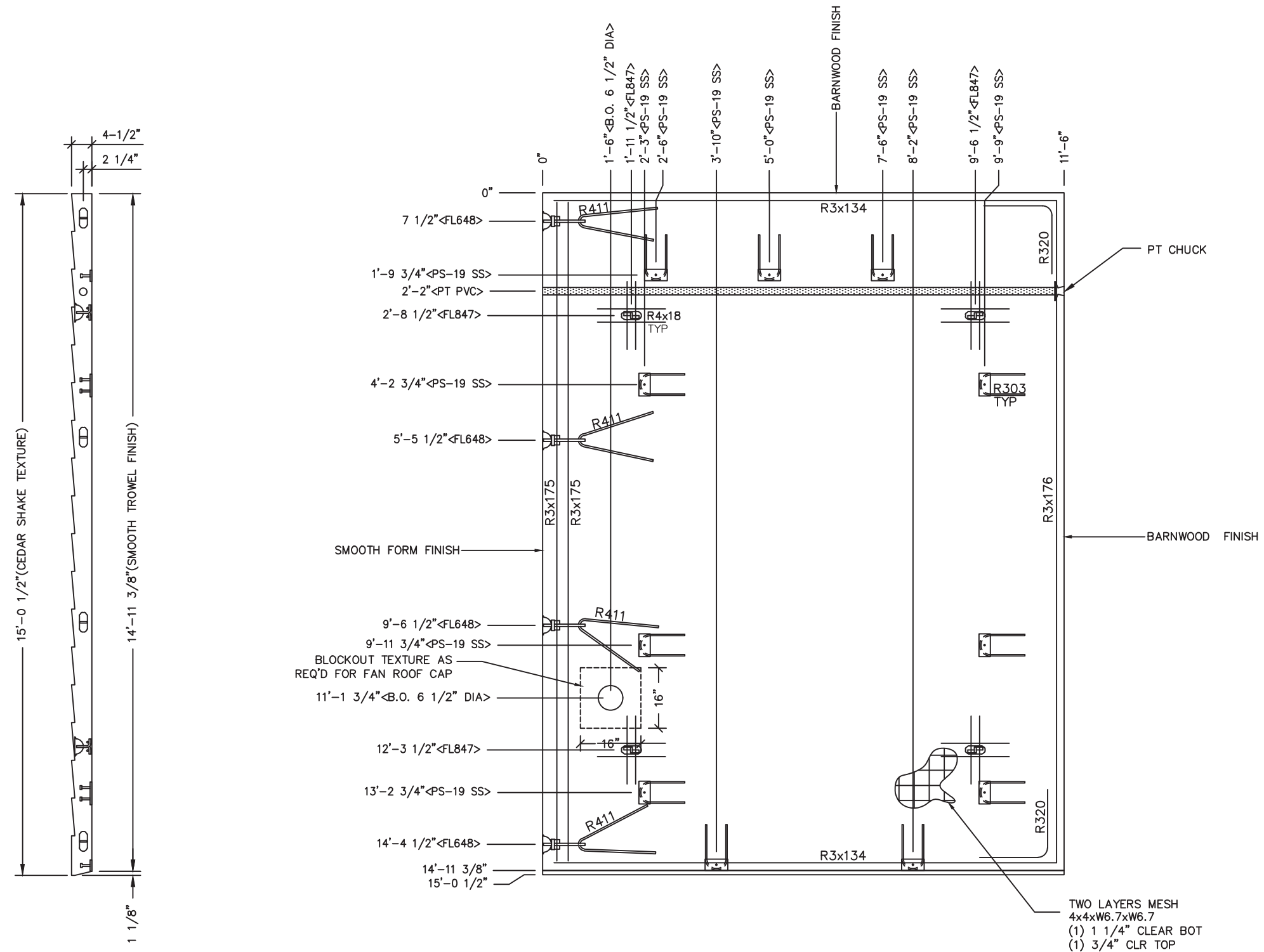
6707 E. Flamingo Ave. Bldg 300, Nampa, ID 83687
901 N. Highway 77 Hillsboro, TX 76645
362 Waverly Road Williamstown, WV 26187

PROJECT TITLE
NAVAJO
BUILDING NUMBER N-283

NOTICE
The information contained herein is proprietary and the exclusive property of CXT Incorporated. The information may only be used by the original recipient for the purpose intended. Reproduction or distribution of this information is strictly prohibited without the prior written consent of CXT Incorporated. By allowing use of this information, CXT Incorporated grants no warranty, express or implied, including a warranty of merchantability or of fitness for a particular purpose.
CXT Incorporated

REV.	DESCRIPTION	APPROVAL	DATE
SCALE	3/8"=1'-0"	DATE	8/30/22
DRAWN	M. TOLMAN	FILE NO.	N-283
CHECKED	BHA	PLOT	32

ROOF SLAB MARK R4		
DWG NO.	SHEET	REV.
N-25	25 34	0



TWO LAYERS MESH
4x4xW6.7xW6.7
(1) 1 1/4" CLEAR BOT
(1) 3/4" CLR TOP

- NOTES:
- EXCEPT R303, R411, R4x18, & R3x175 BARS TO BE PLACED IN PAIRS, ONE EACH FACE OF PANEL W/ 1 1/4" MIN. COVER. ALL OTHER BARS TO BE CENTERED IN PANEL.
 - PLACE BARS R4x18 UP IN FORM W/ 1 1/4" COVER

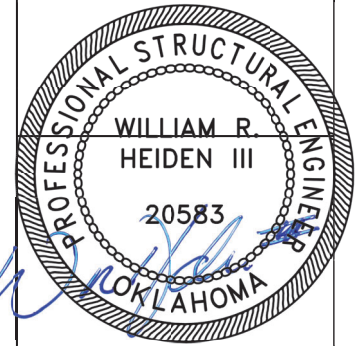
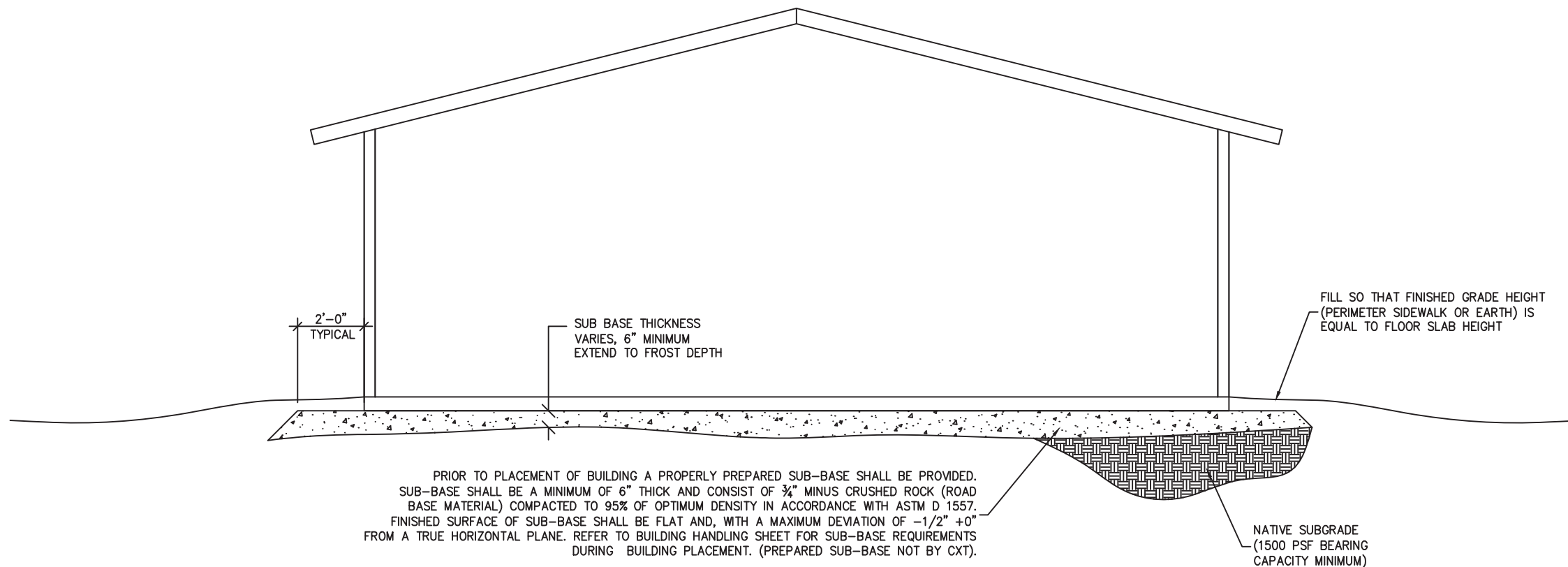
NOTE:

THIS FACTORY ASSEMBLED BUILDING, AS CONSTRUCTED, PROVIDES A RIGID BOX TYPE STRUCTURAL SYSTEM. VERTICAL LOADS ARE TRANSFERRED PRIMARILY THROUGH BEARING WALLS TO THE STRUCTURAL SLAB FLOOR OF THE BUILDING. THE VERTICAL LOADS ARE THEN DISTRIBUTED THROUGH THE REINFORCED CONCRETE FLOOR TO THE PREPARED GRANULAR, NON-FROST SUSCEPTIBLE (NFS) SUB-BASE WHICH DISTRIBUTES THE VERTICAL LOADS IN RELATIVELY UNIFORM FASHION TO THE NATIVE SUB-GRADE. AS WITH MOST CONSTRUCTION, THIS DOES REQUIRE THE NATIVE SUB-GRADE TO BE STRIPPED OF VEGETATION AND TOP SOIL PRIOR TO PLACEMENT OF THE PREPARED GRANULAR SUB-BASE. DUE TO THE INHERENT STIFFNESS OF THE BUILDING, IT WILL REMAIN SAFE AND STRUCTURALLY SOUND IN THE UNLIKELY EVENT OF FREEZING ACTION BELOW THE BUILDING REGARDLESS OF NATURAL FREEZE/ THAW CYCLES ANTICIPATED TO BE ENCOUNTERED IN THE STATE OF OKLAHOMA.

LATERAL LOADS ARE TRANSFERRED TO THE GROUND THROUGH FRICTIONAL RESISTANCE WITHOUT SLIDING OR SHIFTING BETWEEN THE BUILDING FLOOR SLAB AND THE PREPARED SOIL AND GRAVEL SUB-BASE ON WHICH THE BUILDING RESTS. SEISMIC ANALYSES ARE BASED ON LOADS DETERMINED IN ACCORDANCE WITH THE INTERNATIONAL BUILDING CODE USING PARAMETERS, WHICH MEET OR EXCEED THE CODE PRESCRIBED REQUIREMENTS FOR THIS INSTALLATION.

THIS BUILDING AS DESIGNED, RESTING ON A PROPERLY PREPARED GRANULAR SUB-BASE WILL BE SAFE AND STRUCTURALLY SOUND FOR VERTICAL AND LATERAL LOADS AS DISCUSSED ABOVE. A FULL DEPTH FOUNDATION WALL AT THE BUILDING PERIMETER AND AN ANCHORAGE SYSTEM, TYPICAL FOR OTHER TYPES OF BUILDING CONSTRUCTION, ARE NOT REQUIRED FOR THIS BUILDING.

THE "FOUNDATION" FOR THIS STRUCTURE IS ESSENTIALLY THE COMBINATION OF THE COMPACTED SUB-BASE MATERIAL AND THE BUILDING'S REINFORCED SLAB. THE COMBINATION OF THE COMPACTED SUB-BASE MATERIAL AND THE BUILDING'S REINFORCED SLAB NEED TO BE AT LEAST 12" THICK AND THE COMPACTED SUB-BASE MATERIAL SHALL EXTEND BELOW THE LOCAL FROST DEPTH



September 25, 2022

LBFoster
CXT® Products

6707 E. Flamingo Ave. Bldg 300, Nampa, ID 83687
901 N. Highway 77 Hillsboro, TX 76645
362 Waverly Road Williamstown, WV 26187

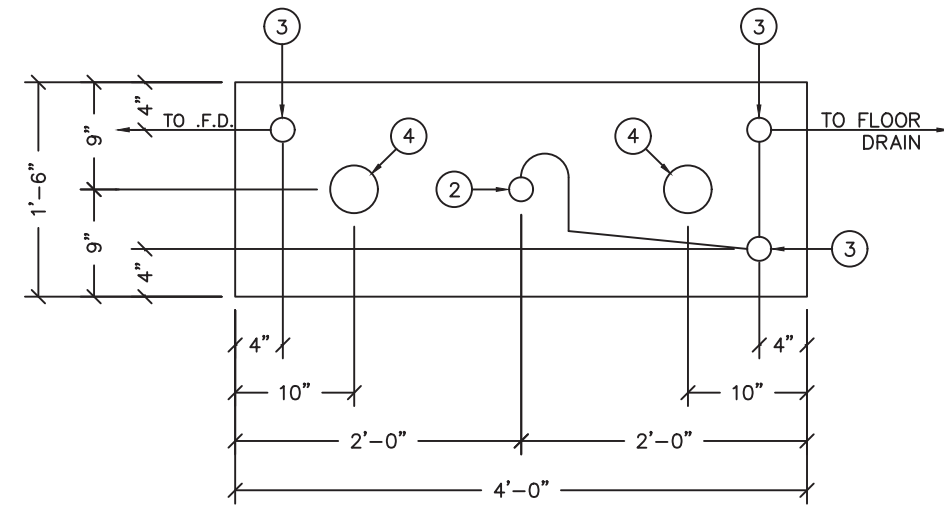
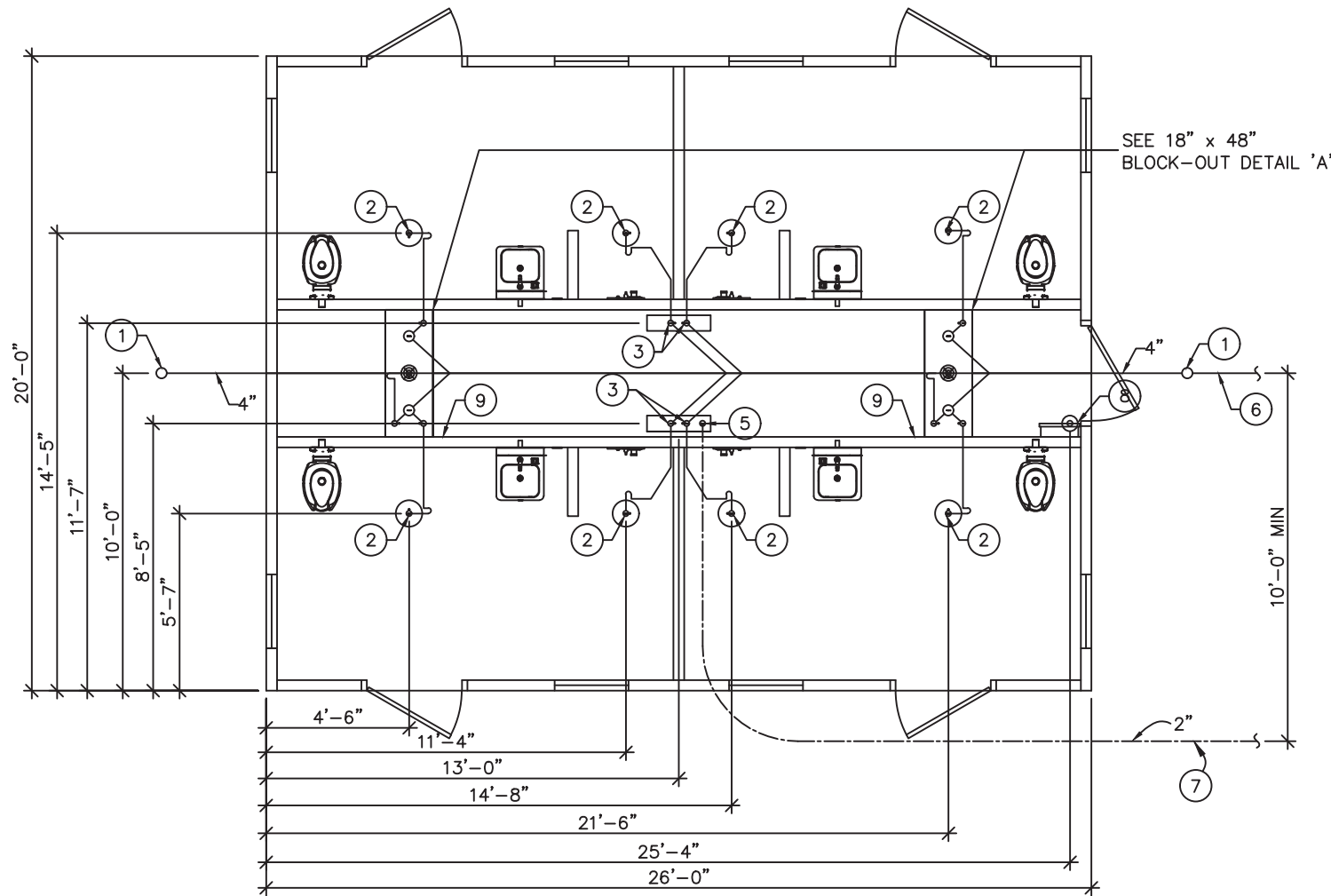
PROJECT TITLE
NAVAJO
BUILDING NUMBER N-283

NOTICE
The information contained herein is proprietary and the exclusive property of CXT Incorporated. The information may only be used by the original recipient for the purpose intended. Reproduction or distribution of this information is strictly prohibited without the prior written consent of CXT Incorporated. By allowing use of this information, CXT Incorporated grants no warranty, express or implied, including a warranty of merchantability or of fitness for a particular purpose.
CXT Incorporated

REV.	DESCRIPTION	APPROVAL	DATE
SCALE	1/4"=1'-0"	DATE	8/30/22
DRAWN	M. TOLMAN	FILE NO.	N-283
CHECKED	BHA	PLOT	48

**FOUNDATION
DETAIL**

DWG NO.	SHEET	REV.
N-27	27 34	0



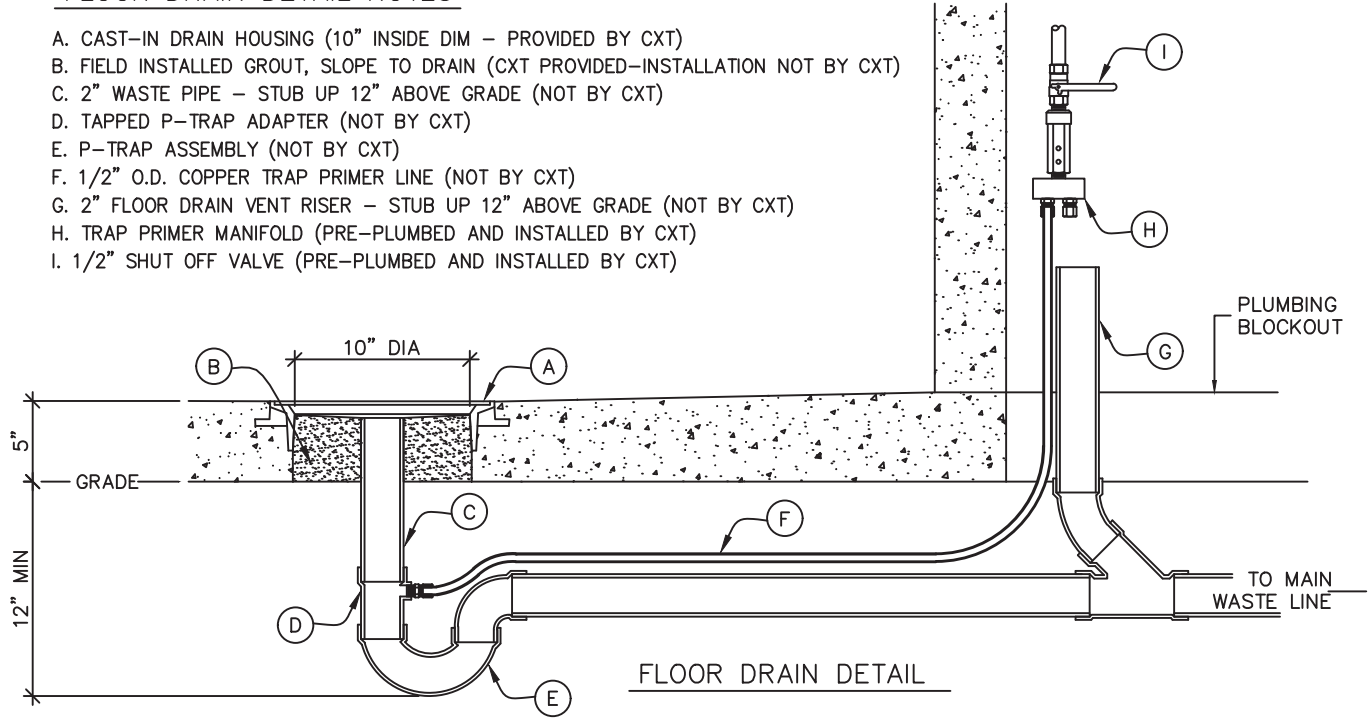
18" x 48" BLOCKOUT DETAIL "A"

PIPING LEGEND

- BELOW FLOOR VENT PIPING
SCH 40 PVC
TYPE DWV
- BELOW FLOOR WASTE PIPING
SCH 40 PVC
TYPE DWV
- 2" TYPE "K" OR "L" ANNEALED "SOFT" COPPER WATER SERVICE

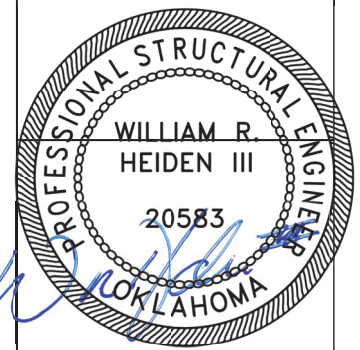
FLOOR DRAIN DETAIL NOTES

- A. CAST-IN DRAIN HOUSING (10" INSIDE DIM - PROVIDED BY CXT)
- B. FIELD INSTALLED GROUT, SLOPE TO DRAIN (CXT PROVIDED-INSTALLATION NOT BY CXT)
- C. 2" WASTE PIPE - STUB UP 12" ABOVE GRADE (NOT BY CXT)
- D. TAPPED P-TRAP ADAPTER (NOT BY CXT)
- E. P-TRAP ASSEMBLY (NOT BY CXT)
- F. 1/2" O.D. COPPER TRAP PRIMER LINE (NOT BY CXT)
- G. 2" FLOOR DRAIN VENT RISER - STUB UP 12" ABOVE GRADE (NOT BY CXT)
- H. TRAP PRIMER MANIFOLD (PRE-PLUMBED AND INSTALLED BY CXT)
- I. 1/2" SHUT OFF VALVE (PRE-PLUMBED AND INSTALLED BY CXT)



BELOW FLOOR PIPING - KEY NOTES

- 1. 4" CLEAN OUT TO GRADE.
- 2. 2" FLOOR DRAIN. FIELD INSTALLED TRAP PRIMER SYSTEM IF REQUIRED BY AUTHORITY HAVING JURISDICTION. (18"x48" BLOCKOUT)(10" DIA BLOCKOUT)
- 3. 2" VENT PIPES EXTENDED 12" ABOVE FINISHED FLOOR LEVEL, PROVIDE TEST PLUG. (18"x48" & 6"x24" BLOCKOUT)
- 4. 3" WASTE PIPE EXTENDED 12" ABOVE FINISHED FLOOR LEVEL, PROVIDE TEST PLUG. (18"x48" BLOCKOUT)
- 5. 2" TYPE K OR L ANNEALED "SOFT" COPPER WATER SERVICE EXTENDED 12" ABOVE FINISHED FLOOR LEVEL, PROVIDE CAP AT END. (6"x2'-0" BLOCKOUT)
- 6. 30" MIN. BURY, PROVIDE TRACER TAPE.
- 7. MIN. BURY PER LOCAL REQUIREMENTS TO PROTECT AGAINST FREEZING AND DAMAGE.
- 8. ELECTRICAL STUB UP, (6" DIA BLOCKOUT)
- 9. TRAP PRIMER MANIFOLD LOCATION. STUB UP PRIMER LINES FROM FLOOR DRAINS ON THIS SIDE.



September 25, 2022

LB Foster
CXT® Products

6707 E. Flamingo Ave. Bldg 300, Nampa, ID 83687
901 N. Highway 77 Hillsboro, TX 76645
362 Waverly Road Williamstown, WV 26187

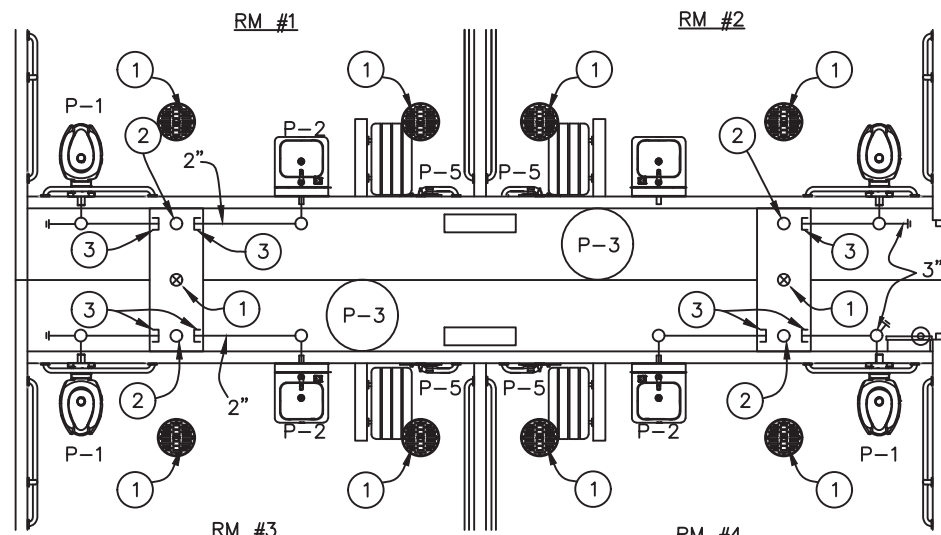
PROJECT TITLE
NAVAJO
BUILDING NUMBER N-283

NOTICE
The information contained herein is proprietary and the exclusive property of CXT Incorporated. The information may only be used by the original recipient for the purpose intended. Reproduction or distribution of this information is strictly prohibited without the prior written consent of CXT Incorporated. By allowing use of this information, CXT Incorporated grants no warranty, express or implied, including a warranty of merchantability or of fitness for a particular purpose.

REV.	DESCRIPTION	APPROVAL	DATE
SCALE	3/16"=1'-0"	DATE	8/30/22
DRAWN	M. TOLMAN	FILE NO.	N-283
CHECKED	BHA	PLOT	84

FLOOR DRAIN LOCATIONS & BELOW FLOOR PIPING

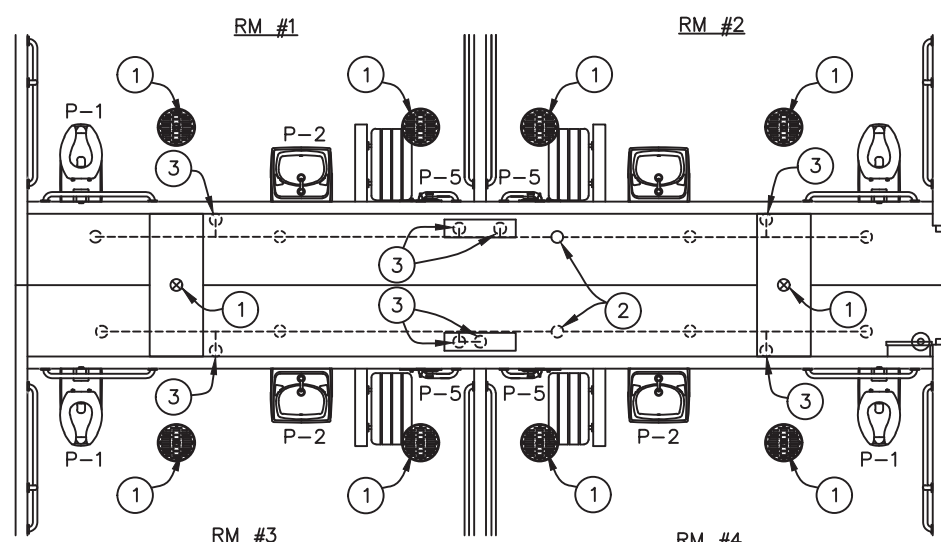
DWG NO.	SHEET	REV.
N-28	28	0
	34	



WASTE PIPING

WASTE PIPING – KEY NOTES

1. 2" FLOOR DRAIN, FIELD INSTALLED (NOT BY CXT)
2. 4" WASTE THROUGH FLOOR, FIELD INSTALLED (NOT BY CXT)
3. PROVIDE TEST PLUGS IN END OF WASTE PIPES. CONTINUATION OF PIPING IS FIELD INSTALLED & NOT BY CXT.



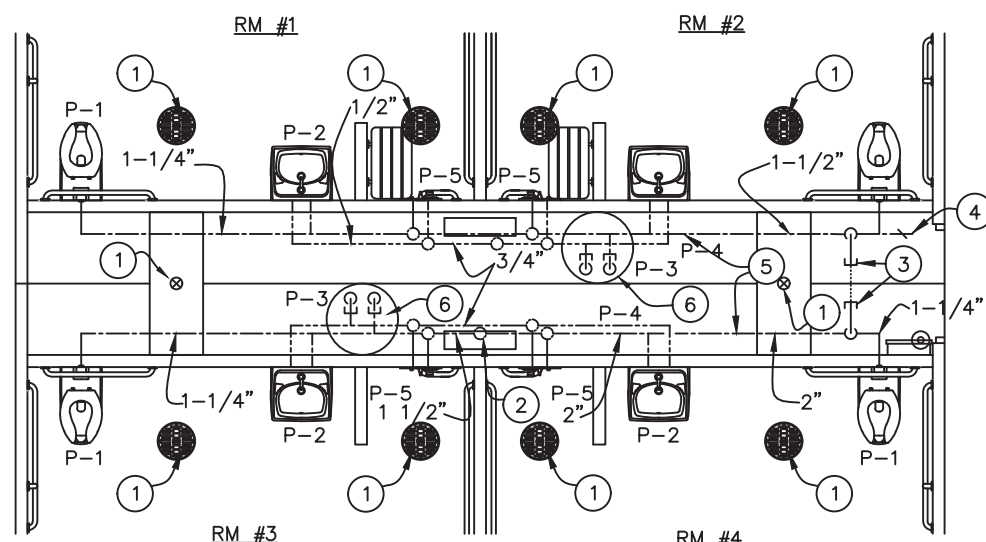
VENT PIPING

VENT PIPING – KEY NOTES

1. 2" FLOOR DRAIN, FIELD INSTALLED (NOT BY CXT)
2. VENT THROUGH ROOF.
3. 2" VENT WITH TEST PLUG.
4. FIELD INSTALLED 2" VENT PIPING FROM FLOOR DRAINS. (NOT BY CXT)

PIPING LEGEND

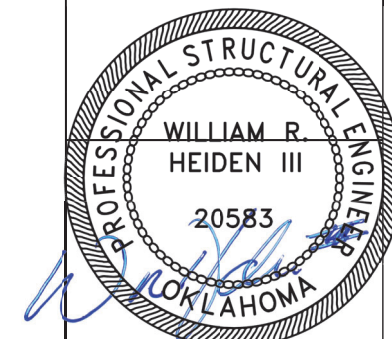
- COLD WATER; COPPER. ASTM B88, TYPE "K" OR "L"
- HOT WATER; COPPER, ASTM B88, TYPE "K" OR "L"
- VENT PIPING; SCH 40 PVC, ASTM D2665, TYPE DWV
- WASTE PIPE; SCH 40 PVC, ASTM D2665, TYPE DWV
- FIELD PIPING; (NOT BY CXT)



WATER PIPING

WATER PIPING – KEY NOTES

1. 2" FLOOR DRAIN, FIELD INSTALLED (NOT BY CXT)
2. FIELD INSTALLED 2" WATER SUPPLY WITH SHUT-OFF VALVE NEAR FLOOR. (NOT BY CXT)
3. 1 1/2" CAPPED CW LINE. CONNECTION BETWEEN SIDES IS TO BE FIELD INSTALLED. (NOT BY CXT)
4. 3/4" HOSE BIBB WITH VACUUM BREAKER AND WHEEL HANDLE
5. WATER PIPING ALONG WALL, SEE DIAGRAM ON SHEET N-30
6. WATER HEATER, SUPPLIED BY CXT & SHIPPED LOOSE, FIELD INSTALLED (NOT BY CXT) HOLD TIGHT TO PIPING ON ONE WALL TO MAXIMIZE SERVICE ACCESS. SEE PIPING DIAGRAM ON SHEET N-30.



September 25, 2022

LBFoster
CXT® Products

6707 E. Flamingo Ave. Bldg 300, Nampa, ID 83687
901 N. Highway 77 Hillsboro, TX 76645
362 Waverly Road Williamstown, WV 26187

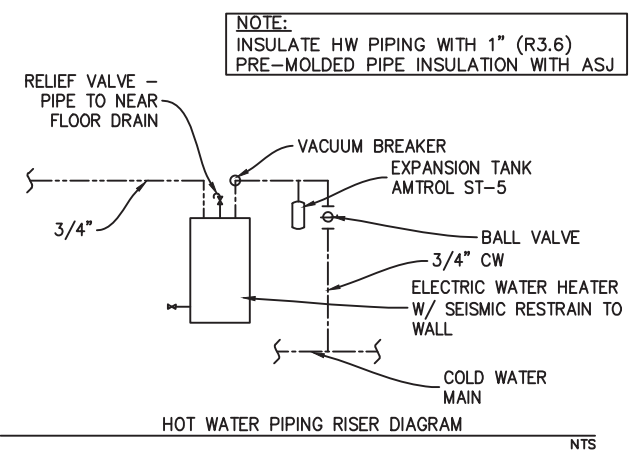
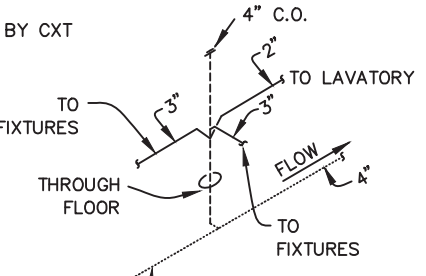
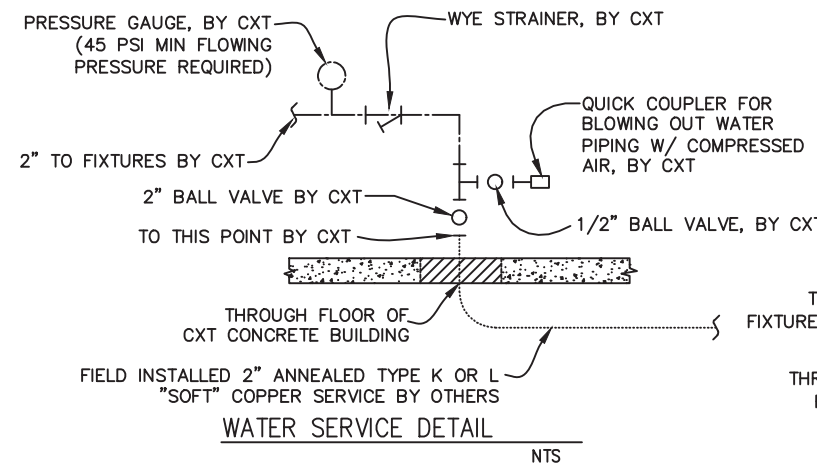
PROJECT TITLE
NAVAJO
BUILDING NUMBER N-283

NOTICE
The information contained herein is proprietary and the exclusive property of CXT Incorporated. The information may only be used by the original recipient for the purpose intended. Reproduction or distribution of this information is strictly prohibited without the prior written consent of CXT Incorporated. By allowing use of this information, CXT Incorporated grants no warranty, express or implied, including a warranty of merchantability or of fitness for a particular purpose.
CXT Incorporated

REV.	DESCRIPTION	APPROVAL	DATE
SCALE	3/16"=1'-0"	DATE	8/30/22
DRAWN	M. TOLMAN	FILE NO.	N-283
CHECKED	BHA	PLOT	84

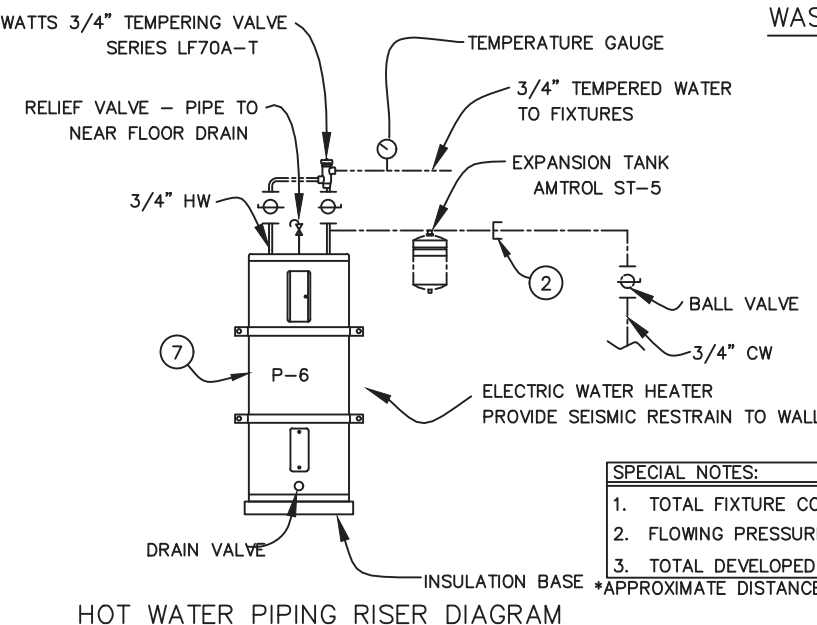
PLUMBING PLANS

DWG NO.	SHEET	REV.
N-29	29	0
	34	



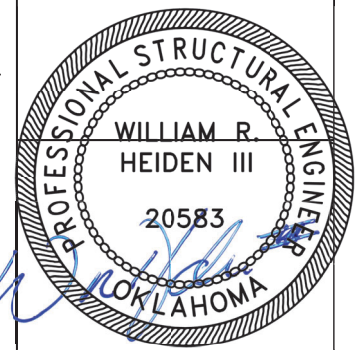
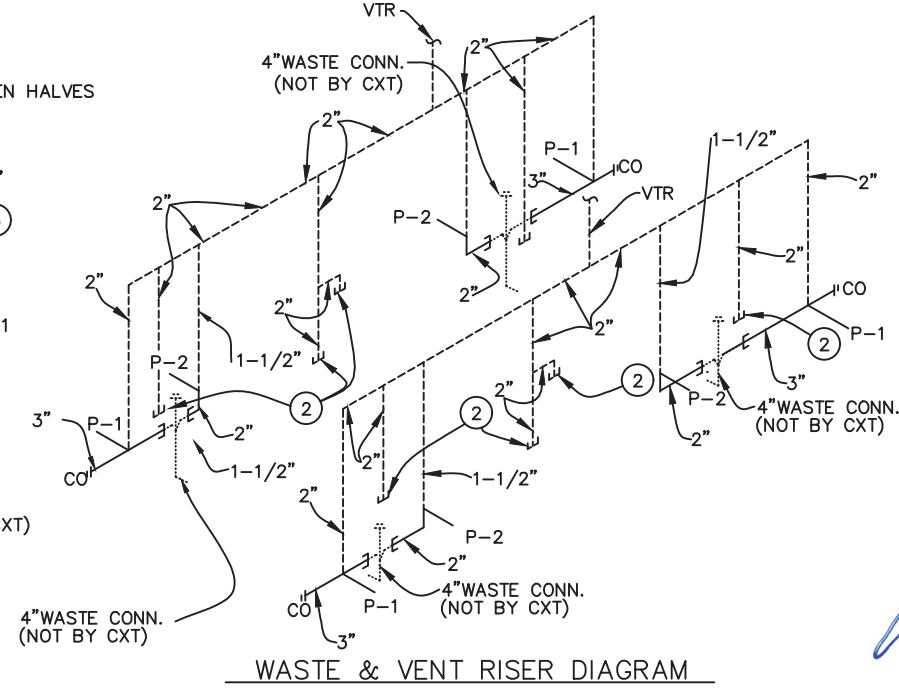
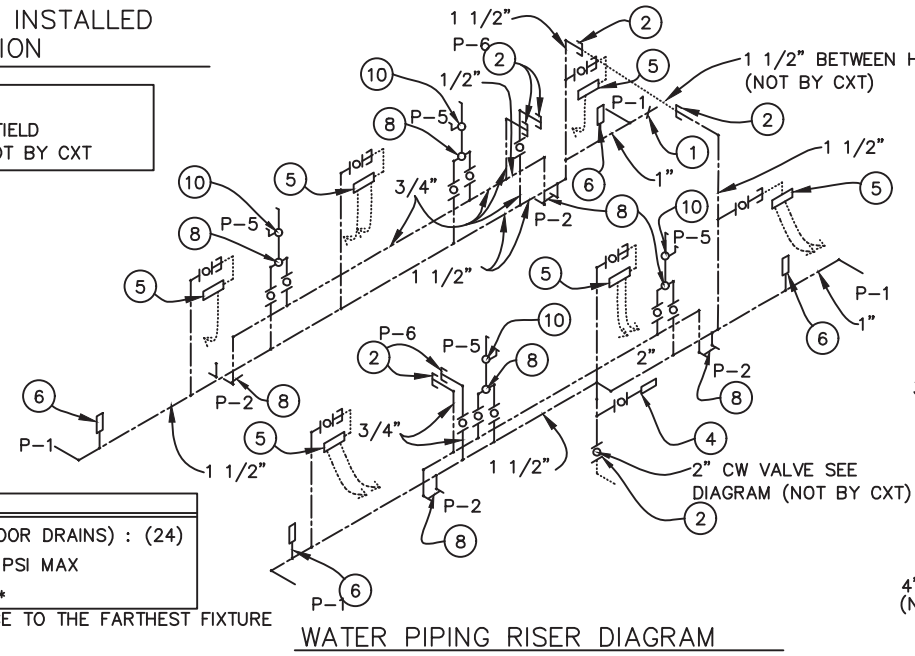
- PIPING LEGEND**
- COLD WATER; COPPER, ASTM B88, TYPE "K" OR "L"
 - HOT WATER; COPPER, ASTM B88, TYPE "K" OR "L"
 - VENT PIPING; SCH 40 PVC, ASTM D2665, TYPE DWV
 - WASTE PIPE; SCH 40 PVC, ASTM D2665, TYPE DWV
 - FIELD PIPING; (NOT BY CXT)
 - WYE STRAINER

- KEY NOTES**
1. 3/4" HOSE BIBB WITH VACUUM BREAKER. & WHEEL HANDLE.
 2. WATER HEATER
 3. PLUGGED CW LINE TO THIS POINT, BY CXT. CW BETWEEN THESE POINTS, NOT BY CXT.
 4. 1/2" AIR QUICK CONNECTION W/ BALL VALVE FOR BLOWING OUT WATER PIPING.
 5. 1/2" BALL VALVE & CAPPED CW LINE FOR FIELD INSTALLED TRAP PRIMER VALVE IF REQUIRED BY JURISDICTION HAVING AUTHORITY
 6. ASSE 1010 WATER HAMMER ARRESTOR SIOUX CHIEF HYDRA-RESTOR #654-C OR EQUAL
 7. SUPPLIED LOOSE BY CXT. INSTALLATION & START-UP IS NOT BY CXT.
 8. ASSE 1070 WATER TEMPERATURE LIMITING DEVICE
 9. INSULATE HOT WATER PIPING FROM HTR TO FIXTURE W/ 1" (R3.6) PRE-MOLDED FIBERGLASS PIPE
 10. PROVIDE SHUT-OFF VALVES ON HOT AND COLD WATER SUPPLY FOR EACH FIXTURE
 11. ASSE 1016 AUTOMATIC COMPENSATING VALVE



NOTE: THIS PIPING IS FIELD INSTALLED & NOT BY CXT

- SPECIAL NOTES:**
1. TOTAL FIXTURE COUNT (INCLUDES FLOOR DRAINS) : (24)
 2. FLOWING PRESSURE: 45 PSI MIN, 80 PSI MAX
 3. TOTAL DEVELOPED LENGTH = 40'-5"*
- *APPROXIMATE DISTANCE FROM THE SOURCE TO THE FARTHEST FIXTURE



September 25, 2022

SYM	DESCRIPTION	MANUFACTURER	CXT PART NUMBER	FLUSH VL/FAUCET	SUPPLIES	QTY	HW	CW	WASTE	VENT	SUPPLIES / NOTES
P-1	WATER CLOSET (PUSH BUTTON)	ACORN	PENAL-WARE 1680 SERIES 1680-W-1	SLOAN "ROYAL" #952-1.6 L-3 W=4"	SLOAN HY33A	4	-	1-1/4"	3"	2"	1. OFFSET FLUSH VALVE TAILPIECE PER ADA, RIGHT OR LEFT HAND, AS REQUIRED. PROVIDE FLUSH VALVE FOR 3" WALL THICKNESS. 2. MOUNT RIM AT 17" ABOVE FLOOR. 3. USE CLOSET GASKET JG13534 AND Z1203 FINISH KIT
P-2	LAVATORY (PUSH BUTTON)	ACORN	PENAL-WARE 1652 SERIES 2652-1-BP-04-M	SYMMONS SLS-7000		4	1/2"	1/2"	1-1/2"	1-1/2"	1. HAMMER ARRESTOR JRS520-T-C, FLOOR DRAIN S2005A025NBLP, TRAP PRIMER-MIFAB MM500, DISTR UNIT- MIFAB 2. 1/2X15 COMP ANG LAV BSCR1915AC 3. 3 PC COVER SET PF202WH.
P-3	NOT USED										
P-4	NOT USED										
P-5	SHOWER, ADA	ACORN	ACORN ADA (PL54890) M1741-E706-1-8DIV			4	1/2"	1/2"	-	-	1. ACCESSORIES: TSM # 895 , TSM #730-PHI SEAT 2. PROVIDE CAST IN WALL SLEEVE. THERMOSTATIC VALVE SET TO LIMIT THE MAXIMUM SETTING OF THE VALVE TO 120°F.
P-6	WATER HEATER	AO SMITH - DURA-POWER	DEN 80 - 4.5KW-4.5KW - 240V			2	3/4"	3/4"			1. ST-5 EXP.TANK 2. 80 GALLON ELECTRIC TANK TYPE, 240 VOLTS, SINGLE PHASE
P-7	NOT USED										
P-8	FLOOR DRAIN	TRAVIS SIOUX CHIEF (CHASE)	54960-CXT 840-2A			8 2	- -	- -	2" 2"	2"	1. TRAP PRIMER- MIFAB MM500, DISTR UNIT- MIFAB ASSE 1018 OR ASSE 1044



6707 E. Flamingo Ave. Bldg 300, Nampa, ID 83687
901 N. Highway 77 Hillsboro, TX 76645
362 Waverly Road Williamstown, WV 26187

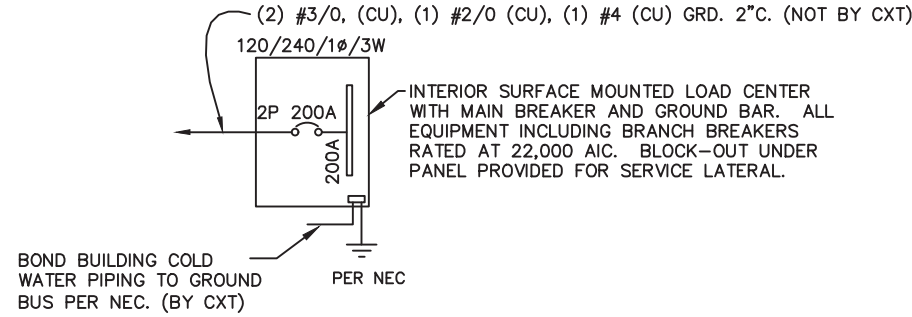
PROJECT TITLE
NAVAJO
BUILDING NUMBER N-283

NOTICE
The information contained herein is proprietary and the exclusive property of CXT Incorporated. The information may only be used by the original recipient for the purpose intended. Reproduction or distribution of this information is strictly prohibited without the prior written consent of CXT Incorporated. By allowing use of this information, CXT Incorporated grants no warranty, express or implied, including a warranty of merchantability or of fitness for a particular purpose.
CXT Incorporated

REV.	DESCRIPTION	APPROVAL	DATE
SCALE	3/16"=1'-0"	DATE	8/30/22
DRAWN	M. TOLMAN	FILE NO.	N-283
CHECKED	BHA	PLOT	84

PLUMBING DETAILS,
DIAGRAMS & SCHEDULE

DWG NO.	SHEET	REV.
N-30	30 34	0



ONE-LINE POWER DIAGRAM
NTS

GENERAL ELECTRICAL NOTES

1. RECESSED JUNCTION BOXES FOR SINGLE DEVICES SHALL HAVE SINGLE GANG MUD RINGS CAST IN CONCRETE WALLS.
2. ALL RECEPTACLES SHALL BE GFCI PROTECTED BY CIRCUIT BREAKERS, OR BY OTHER GFCI RECEPTACLES.
3. ALL CONDUIT SHALL BE SIZED PER NEC. EXPOSED CONDUIT SHALL BE EMT/FMC, RECESSED SHALL BE PVC.
4. INSTALL ALL WIRING IN CONDUIT OR RELATED ENCLOSURES.
5. ALL ELECTRICAL INSTALLATIONS SHALL MEET THE 2017 NATIONAL ELECTRICAL CODE.
6. MINIMUM WIRE SIZE SHALL BE #12 AWG COPPER, THHN INSULATION UNLESS NOTED OTHERWISE.
7. ROUTE ALL CONDUITS IN UTILITY ROOM AT CEILING OR FACE OF WALLS.
8. ELECTRICAL DRAWINGS ARE DIAGRAMMATIC IN NATURE & MAY NOT SHOW EXACT LOCATIONS OF DEVICES. REFER TO WALL PANEL & OTHER DRAWINGS FOR EXACT LOCATIONS OF J-BOXES, ETC..
9. ALL CONDUCTORS AND CABLES MUST BE PROPERLY TERMINATED IN APPROVED BOXES, BEFORE CONNECTING THE CIRCUIT TO THE BREAKER AND BEFORE RECEIVING FINAL INSPECTION APPROVAL IN THE FACTORY
10. CIRCUIT BREAKER LOCKOUTS REQUIRED FOR EACH HAND DRYER.
11. PROVIDE A 100 AMP DISCONNECT AND A DEDICATED 2 POLE 60 AMP CIRCUIT BREAKER FOR WATER HEATER WITH #6 AWG

EXHAUST FAN SCHEDULE							
SYM	MFR	MODEL #	CFM	SONES	VOLTS	AMPS	NTS.
EF-1	FANTECH	FG-6XL	494	6.0	120	1.31	2

- NOTE 1. FANS LISTED FOR WET LOCATION, CONTROL VIA OCCUPANCY SENSOR.
2. INLINE CENTRIFUGAL FAN, PROVIDE DUCTING AND ROOF EXHAUST CAP.

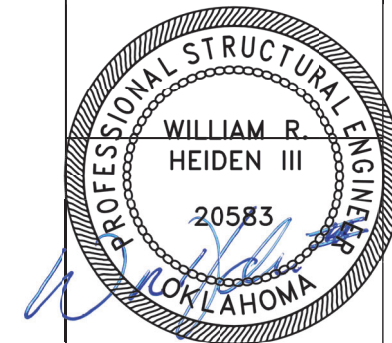
PANEL SCHEDULE												
AMP 200		PANEL		TOTAL CONNECTED VA LOAD		28,102						
SURFACE MOUNT		120/240V, 1P, 3W		TOTAL CALCULATED VA LOAD		33,905						
CIRCUIT					LOAD							
NO.	DESCRIPTION	OCP	TYPE	(VA)	(A)	PH	NO.	DESCRIPTION	OCP	TYPE	(VA)	(A)
1	RECEPTACLES ROOM 1 & 2	1P/20A	R	360	3.0	A	2	RECEPTACLES ROOM 3 & 4	1P/20A	R	360	3.0
3	LIGHTS AND FANS ROOM 1 & 2	1P/20A	N	258	2.2	B	4	LIGHTS AND FANS ROOM 3 & 4	1P/20A	N	258	2.2
5	RECEPTACLE - CHASE	1P/20A	R	180	1.5	A	6	LIGHTS - CHASE	1P/20A	N	56	0.5
7	80 GALLON WATER HEATER #1	2P/60A	C	5,500	45.8	B	8	EXTERIOR LIGHTS	1P/20A	C	70	0.6
9			C	5,500		A	10	80 GALLON WATER HEATER #2	2P/60A	C	5,500	45.8
11	RESTROOM #1 HAND DRYER	1P/20A	L	1,140	9.5	B	12	RESTROOM #3 HAND DRYER	1P/20A	N	1,140	
13	RESTROOM #2 HAND DRYER	1P/20A	N	1,140	9.5	A	14	RESTROOM #4 HAND DRYER	1P/20A	N	1,140	9.5
15						B	16					
17						A	18					
19						A	20					
21						A	22					
23						A	24					
25						A	26					
27						A	28					
29						A	30					
31						B	32					

LOAD	CONNECTED	CALCULATED
(C)ONTINUOUS	22,070 x1.25	27,588 VA
(R)EC (1ST 10KVA)	900 x1.00	900 VA
(N)ON-CONTINUOUS	3,992 x1.00	3,992 VA
(L)ARGEST MOTOR	1,140 x1.25	1,425 VA
TOTAL LOAD	28,102 VA	33,905 VA
		141.3 AMPS

NOTE: MAXIMUM ALLOWABLE AIC IS 22K AMPS, PANEL MODIFICATIONS WILL BE REQUIRED (NOT BY CXT) IF TRANSFORMER CAPACITY EXCEEDS 175 KVA.

LIGHTING FIXTURE SCHEDULE			
FIXTURE NUMBER	VOLTAGE	WATTS	DESCRIPTION
A	120	25	LUMINAIRE VPF84 INTERIOR LIGHT FIXTURE, VPF8 4FT NODIM 25W 40K MV CLP WHT WL 20CC SURFACE MOUNTED, LED LAMP 4 FT, WRAP AROUND LENS, LOW TEMPERATURE DRIVER, BUILT IN OCCUPANCY SENSOR ACTIVATED W/ ADDITIONAL OCCUPANCY SENSOR FOR FAN CONTROL
B	120	14	SWOOP 610 LED EXTERIOR LIGHT, YWP610-14W HP-3500K-120-CP-BRZ-CAB/PC EXTERIOR, VANDAL RESISTANT, WALL MOUNTED, 14 WATT, CLEAR PRISMATIC LENS, BUILT IN PHOTOELECTRIC CONTROL
C	120	25	LUMINAIRE VPF84 INTERIOR LIGHT FIXTURE, VPF8 4FT NODIM 25W 40K MVOLT CLP WHT WL SURFACE MOUNTED, LED LAMP 4 FT, WRAP AROUND LENS, LOW TEMPERATURE DRIVER, WALL SWITCH CONTROL.

NOTE : THE SOURCE OF EFFICACY OF EXTERIOR LIGHTING IS TO BE A MINIMUM OF 45 LUMENS PER WATT.



September 25, 2022

LB Foster
CXT® Products

6707 E. Flamingo Ave. Bldg 300, Nampa, ID 83687
901 N. Highway 77 Hillsboro, TX 76645
362 Waverly Road Williamstown, WV 26187

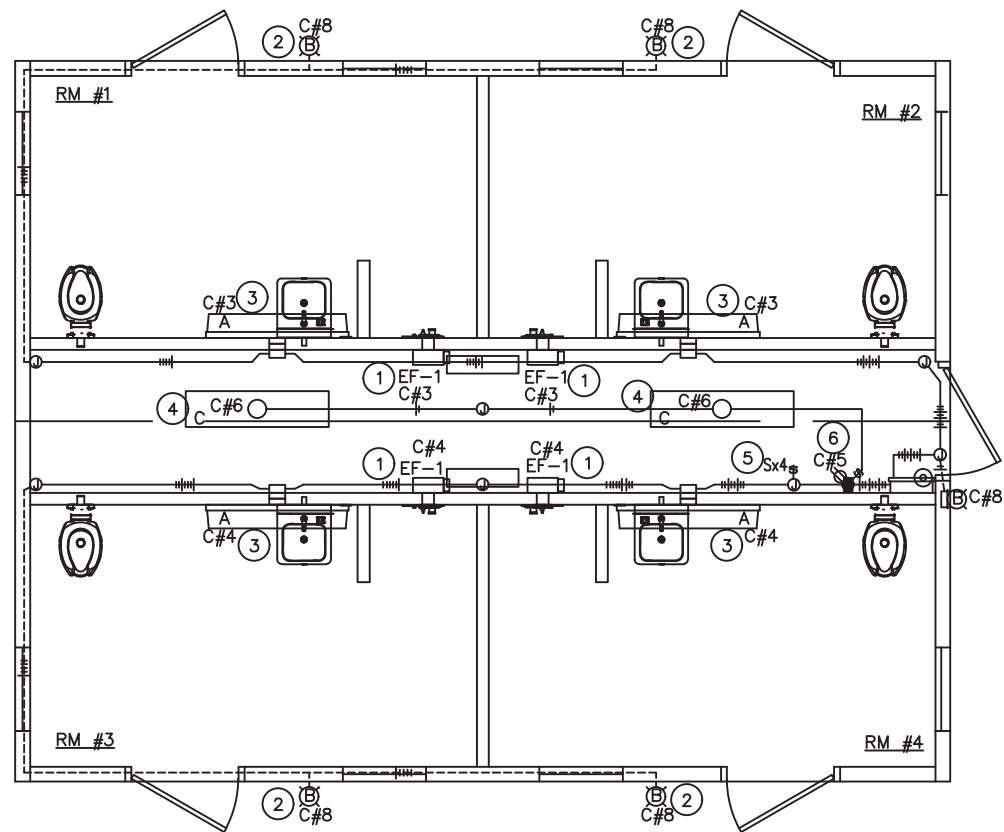
PROJECT TITLE
NAVAJO
BUILDING NUMBER N-283

NOTICE
The information contained herein is proprietary and the exclusive property of CXT Incorporated. The information may only be used by the original recipient for the purpose intended. Reproduction or distribution of this information is strictly prohibited without the prior written consent of CXT Incorporated. By allowing use of this information, CXT Incorporated grants no warranty, express or implied, including a warranty of merchantability or of fitness for a particular purpose.
CXT Incorporated

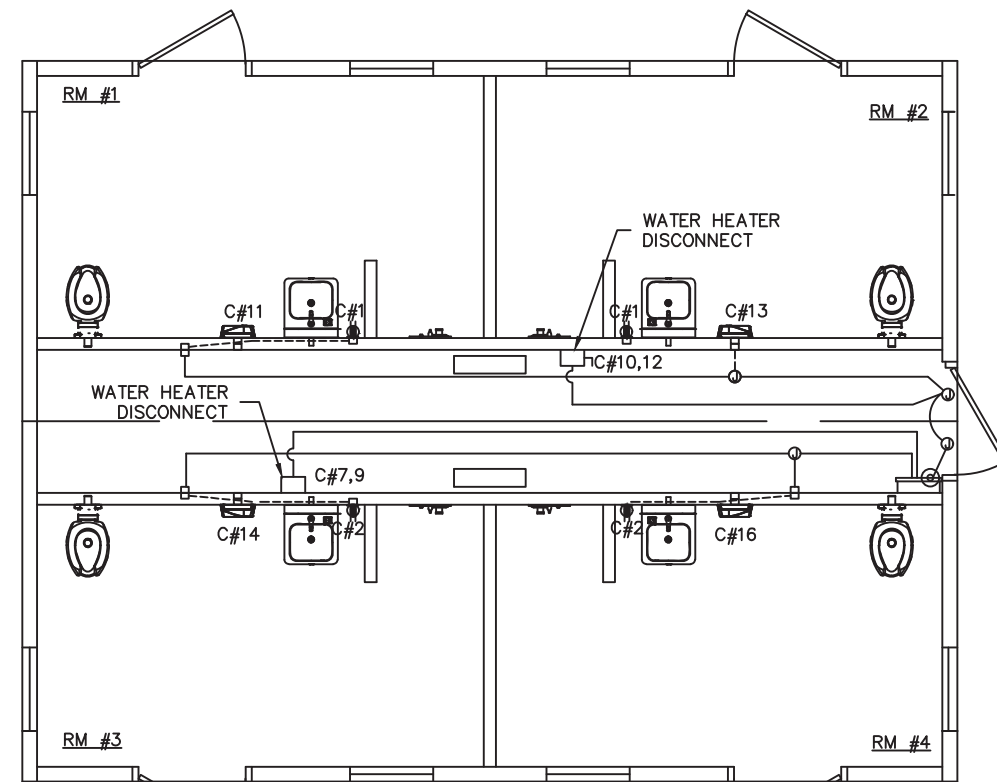
REV.	DESCRIPTION	APPROVAL	DATE
SCALE	3/16"=1'-0"	DATE	8/30/22
DRAWN	M. TOLMAN	FILE NO.	N-283
CHECKED	BHA	PLOT	84

ELECTRIC NOTES
& SCHEDULE

DWG NO.	SHEET	REV.
N-31	31	0
	34	



LIGHTING & EXHAUST FAN PLAN



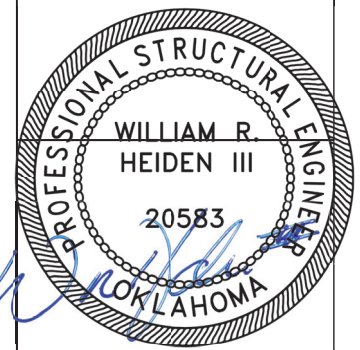
HW DISCONNECT, HW HEATER, HAND DRYER & RECEPTACLE PLAN

KEY NOTES

- ① WIRE EF-1 THROUGH SPEED SWITCH AND OCCUPANCY SENSOR.
- ② LIGHT FIXTURE TO BE CONTROLLED BY PHOTOCELL. ROUTE WIRING IN CONCEALED CONDUIT.
- ③ RESTROOM LIGHTS TO OPERATE BY OCCUPANCY SENSOR.
- ④ LIGHT FIXTURE TO BE CONTROLLED BY WALL SWITCH.
- ⑤ FAN SPEED CONTROLS.
- ⑥ COMBO LIGHT SWITCH & CHASE OUTLET

SYMBOLS LEGEND

	COMBINATION SWITCH AND DUPLEX RECEPTACLE		SAFETY DISCONNECT
	GFCI DUPLEX RECEPTACLE		SURFACE MOUNTED CONDUIT, CROSSHATCH OR SLASH AND NUMBER DENOTES WIRES, (ALL #12AWG UNO, UNLESS NOTED) ONE WIRE TO BE GROUND
	ON / OFF SWITCH		CONCEALED CONDUIT
	SPEED SWITCH		
	JUNCTION BOX		
	RECESSED JUNCTION BOX		
	LOAD CENTER "A"		
	WALL MOUNTED LED FIXTURE		
	CEILING MOUNTED LED FIXTURE		
	EXTERIOR LIGHT FIXTURE		
	HAND DRYER		
	C#XX		



September 25, 2022

LBFoster
CXT® Products

6707 E. Flamingo Ave. Bldg 300, Nampa, ID 83687
901 N. Highway 77 Hillsboro, TX 76645
362 Waverly Road Williamstown, WV 26187

PROJECT TITLE
NAVAJO
BUILDING NUMBER N-283

NOTICE
The information contained herein is proprietary and the exclusive property of CXT Incorporated. The information may only be used by the original recipient for the purpose intended. Reproduction or distribution of this information is strictly prohibited without the prior written consent of CXT Incorporated. By allowing use of this information, CXT Incorporated grants no warranty, express or implied, including a warranty of merchantability or of fitness for a particular purpose.
CXT Incorporated

REV.	DESCRIPTION	APPROVAL	DATE

SCALE	3/16"=1'-0"	DATE	8/30/22
DRAWN	M. TOLMAN	FILE NO.	N-283
CHECKED	BHA	PLOT	84

ELECTRICAL PLANS & LEGEND

DWG NO.	N-32	SHEET	32	REV.	0
			34		

WALL PANEL W1	
EMBEDDED MATERIALS	
ITEM	QTY
AS-2 SS	5
PS-2 SS	10
FL648	4
R411	4
R320	12
PS-19 SS	2
R303	2
R316	1
R327	2
SI-2 MOLD	2
40 1/8" x 82 1/4" B.O.	2
R3x92	4
R3x98	8
R3x156	4
R3x162	4
4x4 J-BOX	2
MS-4 B.O.	2
B.O. 6" x 3" x 2" DEEP	1
R322	4
ROUND MUD RING	2
MARINE PACKAGE REQUIRED	
CU. FT. CONC.	SQ. FT. W.W.F.
64.9 (2.40)	195
APPROXIMATE WEIGHT	
9,728	

WALL PANEL W2	
EMBEDDED MATERIALS	
ITEM	QTY
AS-2 SS	6
PS-2 SS	10
FL648	4
R411	4
PS-3 SS	4
PS-19 SS	2
R303	6
R320	4
R316	1
R327	2
R3x172	4
R3x92	4
R3x102	6
MARINE GRADE PACKAGE REQUIRED	
CU. FT. CONC.	SQ. FT. W.W.F.
78.8 (2.92)	236
APPROXIMATE WEIGHT	
11,814	

WALL PANEL W2 BLOCKOUTS	
EMBEDDED MATERIALS	
ITEM	QTY
4x4 J-BOX	4
RECT MUD RING	4
SHOWER WALL SLEEVE	2
W.C. WALL SLEEVE	2
B.O. 3" DIA.	2
B.O. 1 1/2" DIA.	2
ROUND MUD RING	2
4x4 E-BOX	4
B.O. 6 1/2" DIAMETER	2
RECT. MUD RING	2
B.O. 2" DIA	2
MARINE PACKAGE REQUIRED	
CU. FT. CONC.	SQ. FT. W.W.F.
APPROXIMATE WEIGHT	

WALL PANEL W3	
EMBEDDED MATERIALS	
ITEM	QTY
AS-2 SS	3
PS-10 SS	2
PS-19 SS	4
R303	4
MS-4 B.O.	1
R3x116	2
R3x92	4
R320	6
MS-2 B.O.	1
PS-2 SS	1
R3x54	4
R3x96	2
R322	4
R3x38	2
MARINE PACKAGE REQUIRED	
CU. FT. CONC.	SQ. FT. W.W.F.
22.7 (0.84)	66
APPROXIMATE WEIGHT	
3,405	

WALL PANEL W4	
EMBEDDED MATERIALS	
ITEM	QTY
AS-2 SS	3
PS-10 SS	2
PS-19 SS	4
R303	4
MS-4 B.O.	1
R3x116	6
R3x92	4
R320	4
MS-2 B.O.	1
PS-2 SS	1
R3x54	4
R322	4
R3x38	2
4x4 J-BOX	1
B.O. 7" x 3" x 2" DEEP	1
MARINE GRADE PACKAGE REQUIRED	
CU. FT. CONC.	SQ. FT. W.W.F.
26.5 (0.98)	78
APPROXIMATE WEIGHT	
3,979	

WALL PANEL W5	
EMBEDDED MATERIALS	
ITEM	QTY
AS-2 SS	2
PS-2 SS	4
PS-10 SS	2
R320	8
R3x84	4
R3x130	4
MARINE GRADE PACKAGE REQUIRED	
CU. FT. CONC.	SQ. FT. W.W.F.
27.2 (1.01)	82
APPROXIMATE WEIGHT	
4,087	

WALL PANEL W6	
EMBEDDED MATERIALS	
ITEM	QTY
AS-2 SS	5
PS-2 SS	10
FL648	4
R411	4
R320	12
PS-19 SS	2
R303	2
R316	1
R327	2
SI-2 MOLD	2
40 1/8" x 82 1/4" B.O.	2
R3x92	4
R3x98	8
R3x156	4
R3x162	4
4x4 J-BOX	2
MS-4 B.O.	2
B.O. 6" x 3" x 2" DEEP	1
R322	4
ROUND MUD RING	2
MARINE GRADE PACKAGE REQUIRED	
CU. FT. CONC.	SQ. FT. W.W.F.
64.9 (2.40)	195
APPROXIMATE WEIGHT	
9,728	

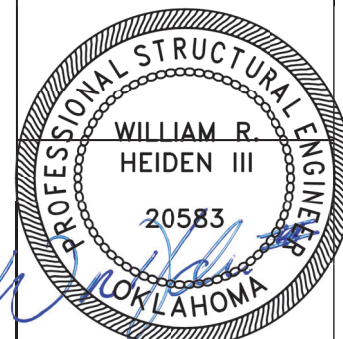
WALL PANEL W7	
EMBEDDED MATERIALS	
ITEM	QTY
AS-2 SS	6
PS-2 SS	10
FL648	4
R411	4
PS-3 SS	4
PS-19 SS	2
R303	6
R320	4
R316	1
R327	2
R3x172	4
R3x92	4
R3x102	6
MARINE GRADE PACKAGE REQUIRED	
CU. FT. CONC.	SQ. FT. W.W.F.
78.8 (2.92)	236
APPROXIMATE WEIGHT	
11,814	

WALL PANEL W7 BLOCKOUTS	
EMBEDDED MATERIALS	
ITEM	QTY
4x4 J-BOX	4
RECT MUD RING	4
SHOWER WALL SLEEVE	2
W.C. WALL SLEEVE	2
B.O. 3" DIA.	2
B.O. 1 1/2" DIA.	2
ROUND MUD RING	2
4x4 E-BOX	4
B.O. 6 1/2" DIAMETER	2
RECT. MUD RING	2
B.O. 2" DIA	2
MARINE PACKAGE REQUIRED	
CU. FT. CONC.	SQ. FT. W.W.F.
APPROXIMATE WEIGHT	

WALL PANEL W8	
EMBEDDED MATERIALS	
ITEM	QTY
AS-2 SS	3
PS-10 SS	2
PS-19 SS	4
R303	4
MS-4 B.O.	1
R3x116	2
R3x92	4
R320	6
MS-2 B.O.	1
PS-2 SS	1
R3x54	4
R3x96	2
4x4 J-BOX	2
SI-2 MOLD	1
ROUND MUD RING	1
R322	4
R3x38	2
MARINE GRADE PACKAGE REQUIRED	
CU. FT. CONC.	SQ. FT. W.W.F.
22.7 (0.84)	66
APPROXIMATE WEIGHT	
3,405	

WALL PANEL W9	
EMBEDDED MATERIALS	
ITEM	QTY
AS-2 SS	3
PS-10 SS	2
PS-19 SS	4
R303	4
MS-4 B.O.	1
R3x116	6
R3x92	4
R320	4
MS-2 B.O.	1
PS-2 SS	1
R3x54	4
R322	4
R3x38	2
4x4 J-BOX	1
B.O. 7" x 3" x 2" DEEP	1
MARINE GRADE PACKAGE REQUIRED	
CU. FT. CONC.	SQ. FT. W.W.F.
26.5 (0.98)	78
APPROXIMATE WEIGHT	
3,979	

WALL PANEL W10	
EMBEDDED MATERIALS	
ITEM	QTY
AS-2 SS	2
PS-2 SS	4
PS-10 SS	2
R320	8
R3x84	4
R3x130	4
MARINE GRADE PACKAGE REQUIRED	
CU. FT. CONC.	SQ. FT. W.W.F.
27.2 (1.01)	82
APPROXIMATE WEIGHT	
4,087	



September 25, 2022

LB Foster
CXT® Products

6707 E. Flamingo Ave. Bldg 300, Nampa, ID 83687
901 N. Highway 77 Hillsboro, TX 76645
362 Waverly Road Williamstown, WV 26187

PROJECT TITLE
NAVAJO
BUILDING NUMBER N-283

NOTICE
The information contained herein is proprietary and the exclusive property of CXT Incorporated. The information may only be used by the original recipient for the purpose intended. Reproduction or distribution of this information is strictly prohibited without the prior written consent of CXT Incorporated. By allowing use of this information, CXT Incorporated grants no warranty, express or implied, including a warranty of merchantability or of fitness for a particular purpose.
CXT Incorporated

REV.	DESCRIPTION	APPROVAL	DATE
SCALE	3/16"=1'-0"	DATE	8/30/22
DRAWN	M. TOLMAN	FILE NO.	N-283
CHECKED	BHA	PLOT	84

EMBEDDED MATERIALS

DWG NO.	SHEET	REV.
N-33	33	0
	34	

