

CONDENSING UNIT SCHEDULE

MARK	MANUFACTURER & MODEL	RATED COOLING CAPACITY (BTU/H)	HEATING CAPACITY MAX/MIN (BTU/H)	ELECTRICAL			ELECTRICAL			SEER	WEIGHT	NOTES
				VOLTS	HZ	PHASE	MCA	MOCF	RLA			
CU-1	DAIKIN DX6VSS3610	33,600	N/A	230 V	60 Hz	1	23.9 A	25 A	18.8 A	16.2	150 lb	1,2,3,4,5

NOTES:

- ALL UNITS SHALL BE SUPPLIED AS COMPLETE SYSTEMS WITH EXPANSION VALVES (TXV), FILTER-DRYERS, SIGHT GLASS, LOW AMBIENT HEATER, CRANKCASE HEATER AND R410A REFRIGERANT PIPING IN ACCORDANCE WITH MANUFACTURER'S INSTRUCTIONS.
- CONTRACTOR SHALL VERIFY WITH THE UNIT MANUFACTURER THAT REFRIGERANT LINES ARE WITHIN THE RECOMMENDED ALLOWABLE LINE LENGTHS OF RUN AND RISE. CONTACT THE ENGINEER IF LINE LENGTHS EXCEED THESE REQUIREMENTS.
- INSTALL NEW UNITS ON 4" THICK CONCRETE PAD SUITABLE FOR HVAC SYSTEMS. ANCHOR UNIT TO PAD.
- INSTALLING CONTRACTOR SHALL BE CERTIFIED BY THE MANUFACTURER TO BID AND INSTALL THE EQUIPMENT.
- FIELD INSTALLED DISCONNECT SWITCH BY DIF-28 ELECTRICAL CONTRACTOR. REFER TO ELECTRICAL DRAWINGS.

FURNACE/COIL UNIT SCHEDULE

MARK	MANUFACTURER	MODEL #	S/A CFM	ESP	HEATING OUTPUT CAPACITY (BTU/H)	ELECTRICAL			SUPPLY FAN			NOTES		
						V	HZ	PHASE	MCA	MOCF	MOTOR HP		FLA	CONFIG
FCU-1	DAIKIN	DC80TN0804BN	1200	0.5	64,000	115 V	60 Hz	1	12 A	15 A	0.75	5 A	VERTICAL	1,2,3,4

NOTES:

- INSTALL REFRIGERANT LINES PER MANUFACTURER GUIDELINES BASED ON RUN LENGTH.
- EXTEND CONDENSATE DRAIN PIPING TO NEAREST FLOOR DRAIN WITH CODE APPROVED AIR GAP.
- PROVIDE MANUFACTURER RECOMMENDED 7 DAY PROGRAMMABLE THERMOSTAT.
- PROVIDE DAIKIN CASED COIL CAPF313786 NOMINAL 3 TON COOLING COIL.

EXHAUST FAN SCHEDULE

MARK	MANUFACTURER & MODEL	LOCATION	MOUNTING	CFM	ESP	SONES	ELECTRICAL				SPEEDS	REMARKS
							V	P	Hz	WATTS		
EF-1	BROAN 679	BATHROOM	CEILING	70	0.1	3.5	120 V	1	60 Hz	240 W	1	A, B, C, E
EF-2	BROAN 679	BATHROOM	CEILING	70	0.1	3.5	120 V	1	60 Hz	240 W	1	A, B, C, E

NOTES:

- REFER TO DIVISION 23 SPECIFICATIONS.
- REFER TO SPECIFICATIONS FOR ACCEPTABLE ALTERNATE MANUFACTURERS.
- INSTALL FAN SYSTEM COMPLETE PER MANUFACTURER'S INSTRUCTIONS.
- MECHANICAL CONTRACTOR SHALL COORDINATE FAN OPERATION AND RELAYS REQUIRED WITH THE ELECTRICAL WORK.
- PROVIDE LABEL FOR EACH PIECE OF MECHANICAL EQUIPMENT. COORDINATE LABEL NAMING CONVENTION WITH OWNER.

REMARKS:

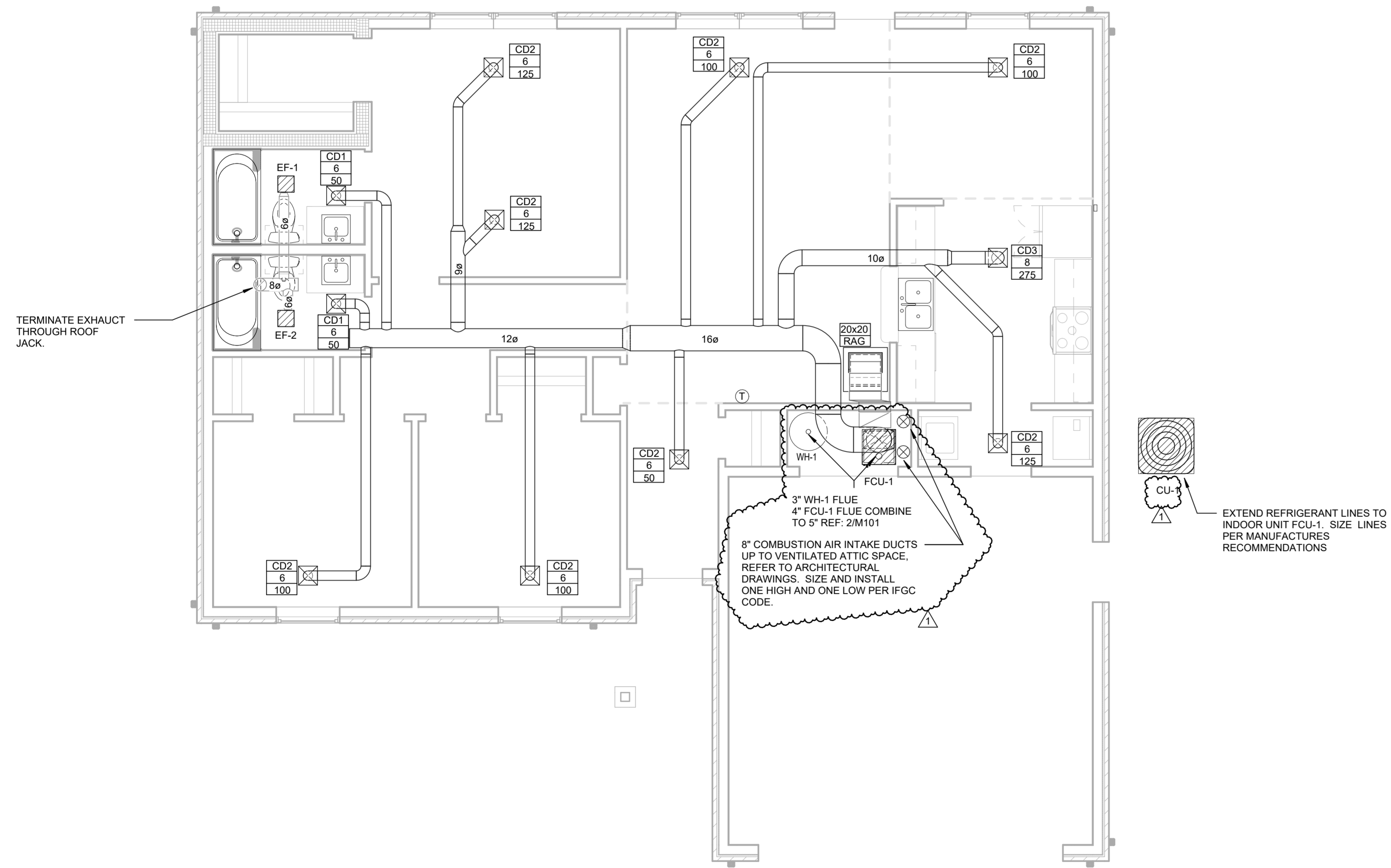
- STANDARD DISCONNECT, COORDINATE LOCATION WITH ELECTRICAL CONTRACTOR.
- PROVIDE ROUND WALL CAP.
- INTEGRAL BACKDRAFT DAMPER
- FAN CONTROLLED BY TIME CLOCK TO RUN CONTINUOUSLY DURING HOURS OF OPERATION. REFER TO ELECTRICAL DRAWINGS.
- FAN CONTROLLED BY WALL SWITCH. REFER TO ELECTRICAL DRAWINGS FOR LOCATION BY BAR. PROVIDE LABEL FOR SWITCH ON SWITCH PLATE.
- FLEXIBLE CONNECTIONS AT DISCHARGE DUCT CONNECTIONS TO MINIMIZE VIBRATION.

AIR DEVICE SCHEDULE

MARK	MANUFACTURER & MODEL#	SERVICE	MATERIAL	FACE TYPE	MOUNTING LOCATION	FACE SIZE	NECKSIZE	NOISE CRITERIA (NC)	NUMBER OF SLOTS	SLOT INCHES	NOTES
CD1	TITUS TMS	SUPPLY AIR	ALUMINUM	ROUND NECK	SURFACE	12"X12"	6	25	--	--	1,3,4,6,7
CD2	TITUS TMS	SUPPLY AIR	STEEL	ROUND NECK	SURFACE	12"X12"	6	25	--	--	1,3,4,6,7
CD3	TITUS TMS	SUPPLY AIR	STEEL	ROUND NECK	SURFACE	12"X12"	8	25	--	--	1,3,4,6,7
RAG	TITUS 350RLF1	RETURN AIR	STEEL	SQUARE NECK	SURFACE	24X24	20	25	--	--	1,3,6,7,8

NOTES:

- COORDINATE FRAME TYPE WITH CEILING MATERIALS. DUCT MOUNT WHERE SPIRAL DUCTWORK EXPOSED.
- NOT ALL GRILLE AND DIFFUSERS SHOWN ARE NECESSARILY USED. REFER TO HVAC PLAN FOR LOCATION AND QUANTITY.
- FOR SURFACE MOUNTED LAY-IN TYPE DIFFUSERS OR GRILLES PROVIDE TRIM RINGS. REFER TO ARCHITECTURAL DRAWINGS AND COORDINATE CEILING TYPES WITH AIR DEVICE MOUNTING STYLE.
- WHERE BACK PAN OF DIFFUSER IS EXPOSED TO NON-CONDITIONED ATTIC TYPE SPACES, PROVIDE FACTORY R-6 FOIL BACKED INSULATION TO MINIMIZE CONDENSATION.
- COORDINATE LOCATION OF GRILLES, REGISTERS AND DIFFUSERS WITH CEILING GRID, LIGHT LOCATIONS, STRUCTURAL MEMBERS AND ARCHITECTURAL FEATURES.
- FINAL FINISH OF ALL AIR DEVICES SHALL BE VERIFIED WITH ARCHITECT'S FINISH AND PAINTING SCHEDULE.
- ACCEPTABLE ALTERNATE MANUFACTURERS: HART & COOLEY, TRUJARE, ANEMOSTAT, AND METALAIR.
- PROVIDE 1 INCH THICK 20X20 FILTER.



1 FIRST FLOOR HVAC PLAN
 1/4" = 1'-0"



PIPE AND FITTINGS	
	GATE VALVE
	GLOBE VALVE
	ANGLE GATE VALVE
	SOLENOID VALVE
	NON SLAM CHECK VALVE
	BUTTERFLY VALVE
	PLUG VALVE
	BALL VALVE
	TWO WAY CONTROL VALVE
	PRESSURE REGULATOR
	THREE WAY CONTROL VALVE
	PRESSURE REDUCING VALVE
	BUTTERFLY VALVE
	AUTOMATIC AIR VENT
	STRAINER, Y TYPE W/GATE VALVE OR HOSE BIBB
	FLEXIBLE CONNECTION
	JOINT
	EXPANSION JOINT
	FLOW METER
	FLOW DIRECTION
	ELBOW BASE
	ELBOW REDUCING
	UNION
	PRESSURE GAUGE WITH TRI-COCK
	PRESSURE INDICATOR
	TEST PLUG
	TEMPERATURE INDICATOR
	FLOW SWITCH
	FLOW INDICATOR
	REDUCER, CONCENTRIC
	REDUCER, ECCENTRIC
	STRAIGHT CROWN
	REDUCER, ECCENTRIC
	STRAIGHT INVERT
	AUTO FLOW BALANCING VALVE
	FIRE PUMP
	FNS PER INCH
	FEET PER MINUTE
	FEET
	FACE VELOCITY
	WALL CLEANOUT
	BACKFLOW PREVENTER
	LUBRICATED PLUG COCK
	HOSE BIBB W/VACUUM BREAKER
	CAPPED END
	SIDEWALL SPRINKLER HEAD
	PENDENT SPRINKLER HEAD
	UPRIGHT SPRINKLER HEAD
	SIAMESE FIRE DEPARTMENT CONNECTION
	ALARM CHECK VALVE
	DELUGE VALVE
	PIPE SWAY BRACING
	PIPE ANCHOR SUPPORT
	BALANCING VALVE

ABBREVIATIONS					
A	ABV	AIR ABOVE	K	KW	KILOWATT
	ACCU	AIR COOLED CONDENSING UNIT	L	LAB	LABORATORY
	ACL	ACETYLENE GAS		LAT	LEAVING AIR TEMPERATURE
	ACU	AIR CONDITIONING UNIT		LAV	LAVATORY
	AD	ACCESS DOOR		LB	POUND
	AF	AIR FILTER		LD	LINEAR DIFFUSER
	AFF	ABOVE FINISHED FLOOR		LDB	LEAVING DRY BULB
	AFH	AIR FILTER, HIGH EFFICIENCY		LF	LINEAR FEET
	AHU	AIR HANDLING UNIT		LFD	LAMINAR FLOW DIFFUSER
	APD	AIR PRESSURE DROP		LP	LIQUID PROPANE
	AR	ACID RESISTANT		LIS	LITERS PER SECOND
	ASSY	ASSEMBLY		LWB	LEAVING WET BULB
	AUX	AUXILIARY		LWT	LEAVING WATER TEMPERATURE
	AV	AUTOMATIC AIR VENT	M	MAU	MAKE-UP AIR UNIT
B	BDD	BACKDRAFT DAMPER		MAX	MAXIMUM
	BHP	BRAKE HORSE POWER		MB	MIXING BOX/MOP BASIN
	BP	BACKFLOW PREVENTER		MBH	THOUSAND BTUHR
	BS	BIRD SCREEN		MD	MOTORIZED DAMPER
C	C	CONDENSATE		MECH	MECHANICAL
	CIL	CENTER LINE		MIN	MINUTE/MINIMUM
	CD	CEILING DIFFUSER		MM	MILLIMETERS
	CFM	CUBIC FEET PER MINUTE		MS	MOTOR STARTER
	CH	CHILLER	N	N	NITROGEN
	CHDR	CHEMICAL DRAIN		NC	NORMALLY CLOSED
	CHP	CHILLED WATER PUMP		NG	NATURAL GAS
	CLG	CEILING CLEANOUT		NC	NOT IN CONTRACT
	CO	CONCRETE		NO	NUMBER
	CONC	CONCRETE		NOX	NITROGEN OXIDE
	CONN	CONNECTION		NTS	NOT TO SCALE
	CONT	CONTINUED/CONTINUATION/CONTINUOUS	O	O	OXYGEN
	COTG	CLEAN OUT TO GRADE		OA	OUTSIDE AIR
	CU	CONDENSING UNIT/COPPER		OAL	OUTSIDE AIR LOUVER
	CV	CONSTANT VOLUME		ODB	OPPOSED BLADE DAMPER ON CENTER
	CW	COLD WATER		OC	OVERFLOW SCUPPER
D	DDC	DIRECT DIGITAL CONTROL		OS	OVERFLOW SCUPPER
	DG	DOOR GRILLE		OS&Y	OUTSIDE SCREW & YOKE
	DIA	DIAMETER	P	PD	PRESSURE DROP
	DIM	DIMENSION		POC	POINT OF CONNECTION
	DMPR	DAMPER		PRESS	PRESSURE
	DN	DOWN		PRV	PRESSURE REDUCING VALVE
	DPS	DIFFERENTIAL PRESSURE SWITCH		PSIG	POUNDS PER SQUARE INCH
	DR	DRAIN		PVC	POLYVINYL CHLORIDE
	DSD	DUCT SMOKE DETECTOR	R	RA	RETURN AIR
	DSW	DISTILLED WATER		RAG	RETURN AIR GRILLE
	DWG	DRAWING		RAR	RETURN AIR REGISTER
E	EAT	ENTERING AIR TEMPERATURE		RC	RAIN CONDUCTOR
	ED	EQUIPMENT DRAIN		RD	ROOF DRAIN
	EDB	ENTERING DRY BULB		REF	REFERENCE
	EER	ENERGY EFFICIENCY RATIO		RF	RETURN FAN
	EF	EXHAUST FAN		RL	RAIN LEADER
	EFF	EFFICIENCY		RM	ROOM
	EG	EXHAUST GRILLE		RTN	RETURN
	EL	ELEVATION	S	SA	SUPPLY AIR
	ELEC	ELECTRICAL		SAG	SUPPLY AIR GRILLE
	ENT	ENTERING		SAN	SANITARY
	ER	EXHAUST REGISTER		SAR	SUPPLY AIR REGISTER
	EWB	ENTERING WET BULB		SD	SMOKE DAMPER
	EWC	ELECTRIC WATER COOLER		SD/FD	COMB. SMOKE DAMPER/FIRE DAMP.
	EWT	ENTERING WATER TEMPERATURE		SH	SUPPLY FAN
	EXH	EXHAUST		SHEET	SHEET
	EWS	EYE WASH/SHOWER STATION		SP	STATIC PRESSURE
F	FCO	FLOOR CLEANOUT		SQ FT	SQUARE FEET
	FD	FIRE DAMPER/FLOOR DRAIN		SST	STAINLESS STEEL
	FH	FUME HOOD	T	TCU	TERMINAL CONTROL UNIT
	FL	FLOOR		TEMP	TEMPERATURE
	FLEX	FLEXIBLE		TG	TRANSFER GRILLE
	FOR	FUEL OIL RETURN		TP	TRAP PRIMER
	FOS	FUEL OIL SUPPLY		TYP	TYPICAL
	FP	FIRE PUMP	U	UC	UNDERCUT
	FPI	FNS PER INCH	V	V	VENT
	FFM	FEET PER MINUTE		VAV	VARIABLE AIR VOLUME
	FT	FEET		VD	VOLUME DAMPER
	FV	FACE VELOCITY		VEL	VELOCITY
G	GA	GAUGE		VERT	VERTICAL
	GIV	GRAVITY INTAKE VENTILATOR		VFD	VARIABLE FREQUENCY DRIVE
	GND	GROUND		VSD	VARIABLE SPEED DRIVE
	GPM	GALLONS PER MINUTE		VTR	VENT THRU ROOF
	GRV	GRAVITY RELIEF VENTILATOR	W	W	WITH
H	HB	HOSE BIBB		W/O	WITHOUT
	HORIZ	HORIZONTAL		WCO	WALL CLEANOUT
	HP	HORSE POWER/HEAT PUMP		WC	WATER COLUMN
	HTG	HEATING		WH	WALL HYDRANT
	HUMID	HUMIDISTAT		WHA	WATER HAMMER ARRESTORS
	HWS	HOT WATER SUPPLY		WR	WATER RISER
	HWB	HOT WATER BOILER		WTR	WATER
	HWP	HOT WATER PUMP			
	HWR	HOT WATER RETURN			
I	ID	INSIDE DIAMETER			
	IN	INCHES			
	INV EL	INVERT ELEVATION			

DOMESTIC WATER GENERAL NOTES

- CUTOFF VALVES AND STOPS SHALL BE PROVIDED WHERE SHOWN ON DRAWINGS AND AT FIXTURE CONNECTIONS.
- TEST ALL WATER SYSTEM IN PRESENCE OF OWNER'S REPRESENTATIVE AT MIN. 100 PSIG FOR 8 HOURS. SANITARY, WASTES, AND VENTS SHALL BE TESTED WITH 10' HEAD OF WATER FOR 8 HOURS WITH LEVEL OF WATER REMAIN UNCHANGED.
- INSTALL ALL EQUIPMENT AND MATERIALS IN ACCORDANCE WITH MANUFACTURERS INSTRUCTIONS AND RECOMMENDATIONS.
- INSTALL ALL WATER PIPING SYSTEMS SO THAT THEY WILL NOT BE SUBJECT TO ANY UNDOE STRAINS OR STRESSES. PROVISIONS SHALL BE MADE FOR EXPANSION, CONTRACTION AND STRUCTURAL SETTLEMENT.
- ALL PENETRATIONS THROUGH FIRE RATED WALLS AND FLOOR CEILING ASSEMBLY SHALL BE INSTALLED AND SEALED TO MAINTAIN FIRE RATING WITH U.L. LISTED ASSEMBLIES, MATERIALS AND SEALANTS.
- BELOW GROUND PIPE SHALL BE INSTALLED NO LESS THAN 6" BELOW FROST LINE. REFER TO STRUCTURAL DETAILS FOR FOUNDATION PENETRATION.
- DRAWING IS DIAGRAMMATIC IN NATURE AND IS NOT INTENDED TO BE SCALED FOR DIMENSIONS.
- COORDINATE LOCATION OF PLUMBING WORK WITH OTHER TRADES TO AVOID CONFLICTS AND INTERFERENCES.
- ALL TESTING IS THE RESPONSIBILITY OF THE CONTRACTOR, WITHOUT EXTRA COST FOR THE OWNER.
- CONTRACTOR SHALL BE RESPONSIBLE FOR PROVIDING A WATER FLOW AND PRESSURE TEST FOR EVALUATING INCOMING DOMESTIC AND FIRE PROTECTION SERVICE PRESSURES.
- WHERE STREET WATER MAIN PRESSURES FLUCTUATE, THE BUILDING WATER DISTRIBUTION SYSTEM SHALL BE DESIGNED FOR MINIMUM PRESSURE AVAILABLE. WHEREVER WATER PRESSURE FROM THE STREET MAIN OR OTHER SOURCE OF SUPPLY IS LESS THAN 60 PSI, A WATER PRESSURE BOOSTER SYSTEM SHALL BE INSTALLED ON THE BUILDING WATER SUPPLY SYSTEM. WHERE WATER PRESSURE WITHIN A BUILDING EXCEEDS 80 PSI STATIC, AN APPROVED WATER-PRESSURE REDUCING VALVE WITH STRAINER CONFORMING TO ASSE. 1003 SHALL BE INSTALLED TO REDUCE THE PRESSURES TO BELOW 80 PSI.

SANITARY SEWER GENERAL NOTES

- PROVIDE CLEANOUTS AT LOCATIONS AND WITH CLEARANCES AS REQUIRED BY THE CODE NOT EXCEEDING 50 FEET IN HORIZONTAL RUNS AT EACH CHANGE OF DIRECTION, VERTICAL OR HORIZONTAL. GREATER THAN 45° AT THE BASE OF EACH WASTE OR VENT STACK 5 FEET AFF. PROVIDE WALL CLEANOUTS IN LIEU OF FLOOR CLEANOUTS WHEREVER POSSIBLE. ALL INTERIOR CLEANOUTS SHALL BE ACCESSIBLE FROM WALLS OR FLOORS.
- THE FLOOR DRAIN IN TOILETS AND MECHANICAL ROOMS SHALL BE PROVIDED WITH BACKWATER VALVES.
- MAINTAIN MINIMUM OF 10 FEET CLEARANCE BETWEEN ANY VTR AND OUTSIDE AIR INTAKES. WHERE HORIZONTAL CLEARANCE CANNOT BE PROVIDED, EXTEND VENTS A MIN OF 24" ABOVE EACH OUTSIDE AIR INTAKE.
- VTR'S ROOF PENETRATIONS, WATER PROOFING AND FLASHINGS SHALL BE PROVIDED BY ROOF CONTRACTOR.
- ALL TESTING IS THE RESPONSIBILITY OF THE CONTRACTOR. TEST ALL SEWER AND VENT SYSTEMS IN PRESENCE OF OWNER'S REPRESENTATIVE.
- INVERT ELEVATION SHOWN BASED ON 100.0 FT. FF ELEVATION, REFER TO CIVIL DRAWINGS FOR ACTUAL ELEVATIONS.
- SEWER PIPE SHALL BE INSTALLED NO LESS THAN 6" BELOW THE FROST LINE.

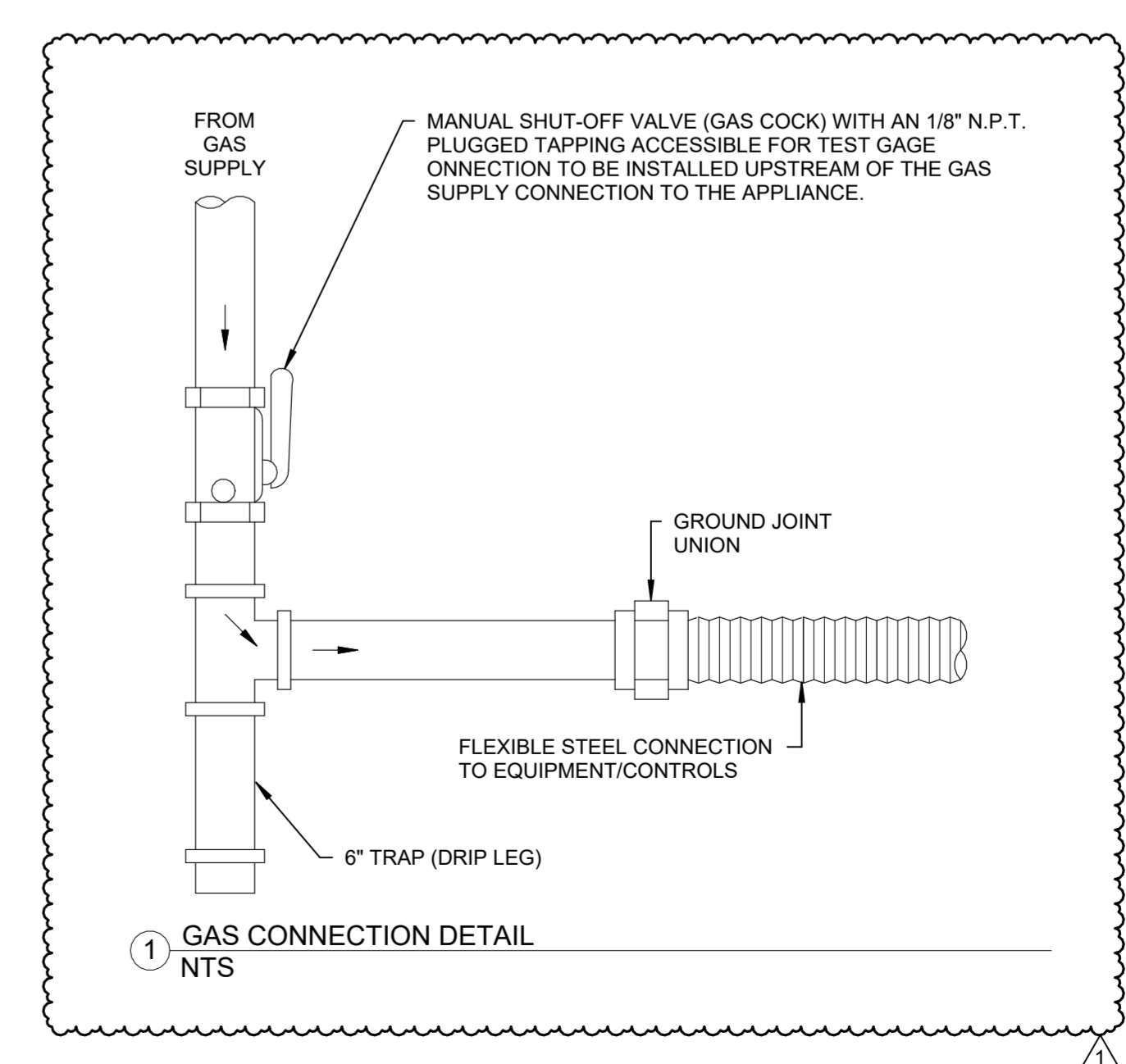
NOTE:
THIS IS A STANDARD SYMBOLS & ABBREVIATIONS SHEET. THEREFORE, SOME SYMBOLS & ABBREVIATIONS MAY APPEAR ON THIS SHEET AND NOT ON THE PLANS.

PIPE LINES

----	POTABLE COLD WATER
----	POTABLE HOT WATER
----	POTABLE HOT WATER RETURN
----	VENT

PIPE TAGS

XX CW	POTABLE COLD WATER
XX HW	POTABLE HOT WATER
XX HWR	POTABLE HOT WATER RETURN
XX V	VENT
XX CA	COMPRESSED AIR
XX SS	SANITARY SEWER
XX OW	OIL/WASTE WATER
XX G	NATURAL GAS
XX VTR	VENT THROUGH ROOF



MPW
MPW ENGINEERING, LLC
110 W. 7TH STREET • SUITE 600
TULSA, OK 74119
(918) 582-4088 • FAX (918) 582-4087
OK COA #2940 • EXP 06/30/2022

BLUE RIVER PROJECT NUMBER:
20220104

ISSUE DATE:
08/18/2022

ISSUE:
CONSTRUCTION DOCUMENTS

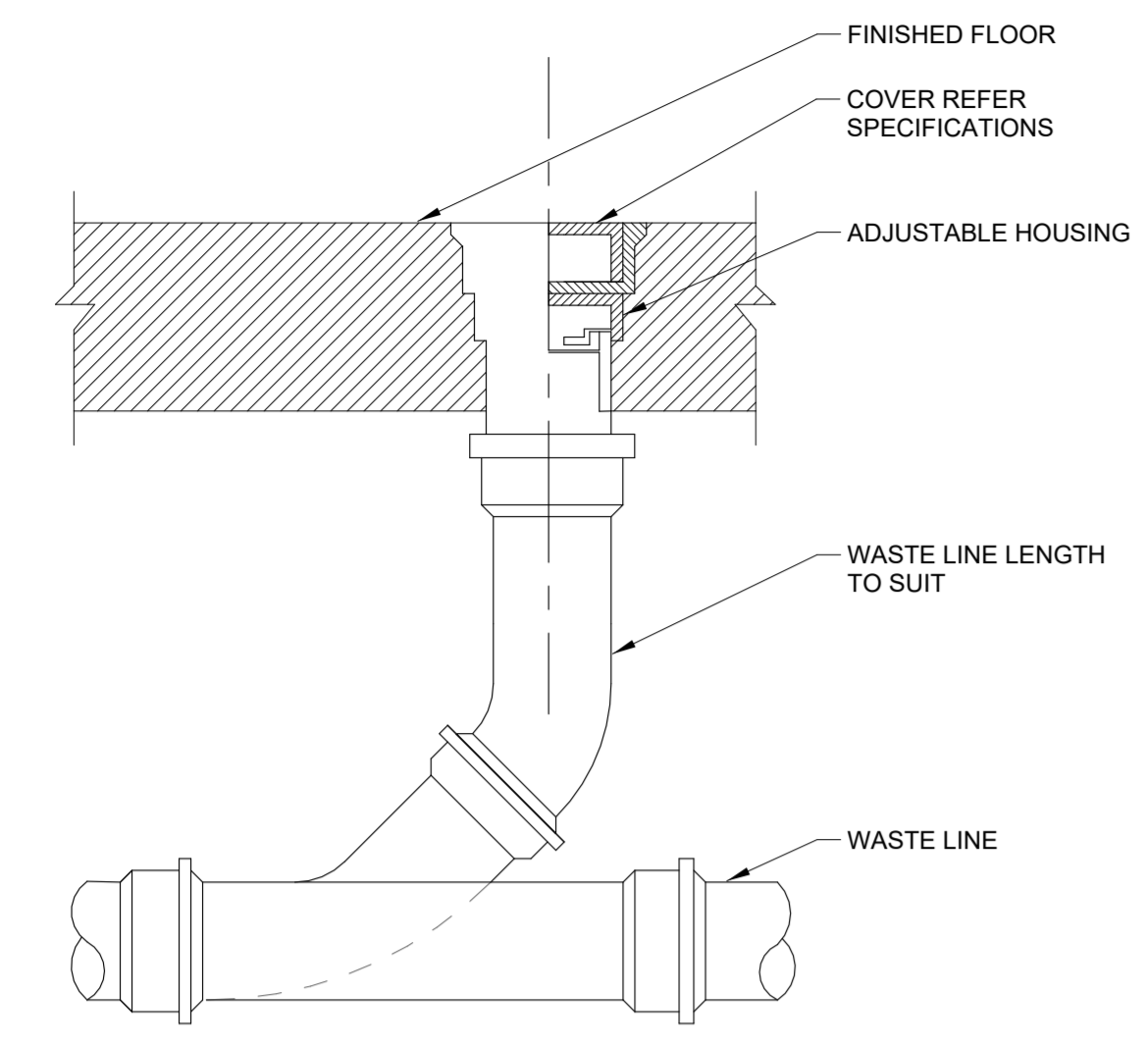
OTHER ISSUE DATES:

NO.	DESCRIPTION	DATE
1	ASI #1	03/03/2023

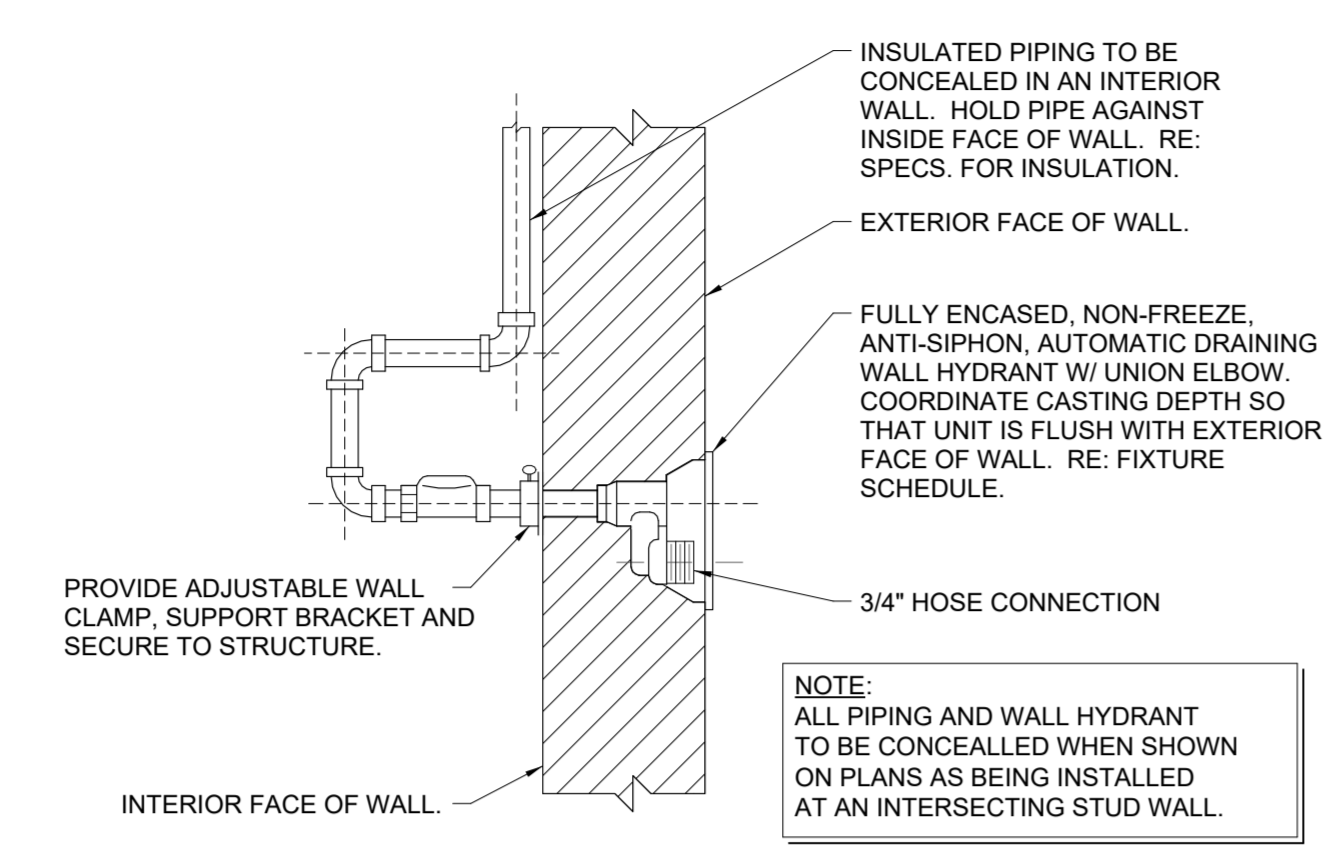
SHEET NAME:
PLUMBING NOTES AND DETAILS

SHEET NUMBER:
P001

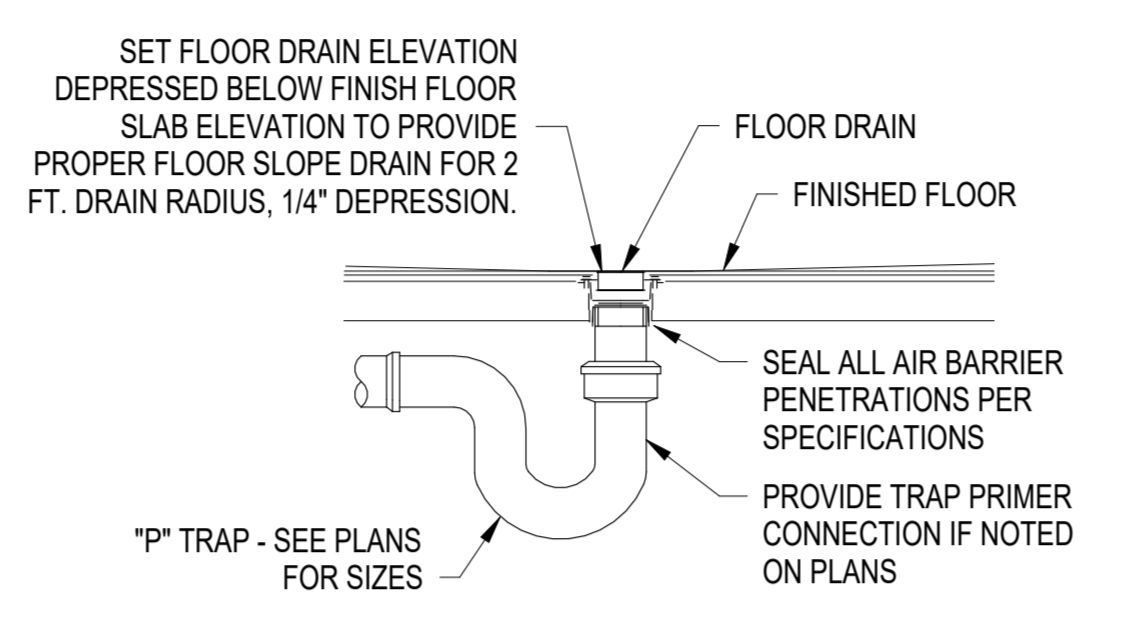
© 2022 COPYRIGHT BLUE RIVER ARCHITECTS, LLC



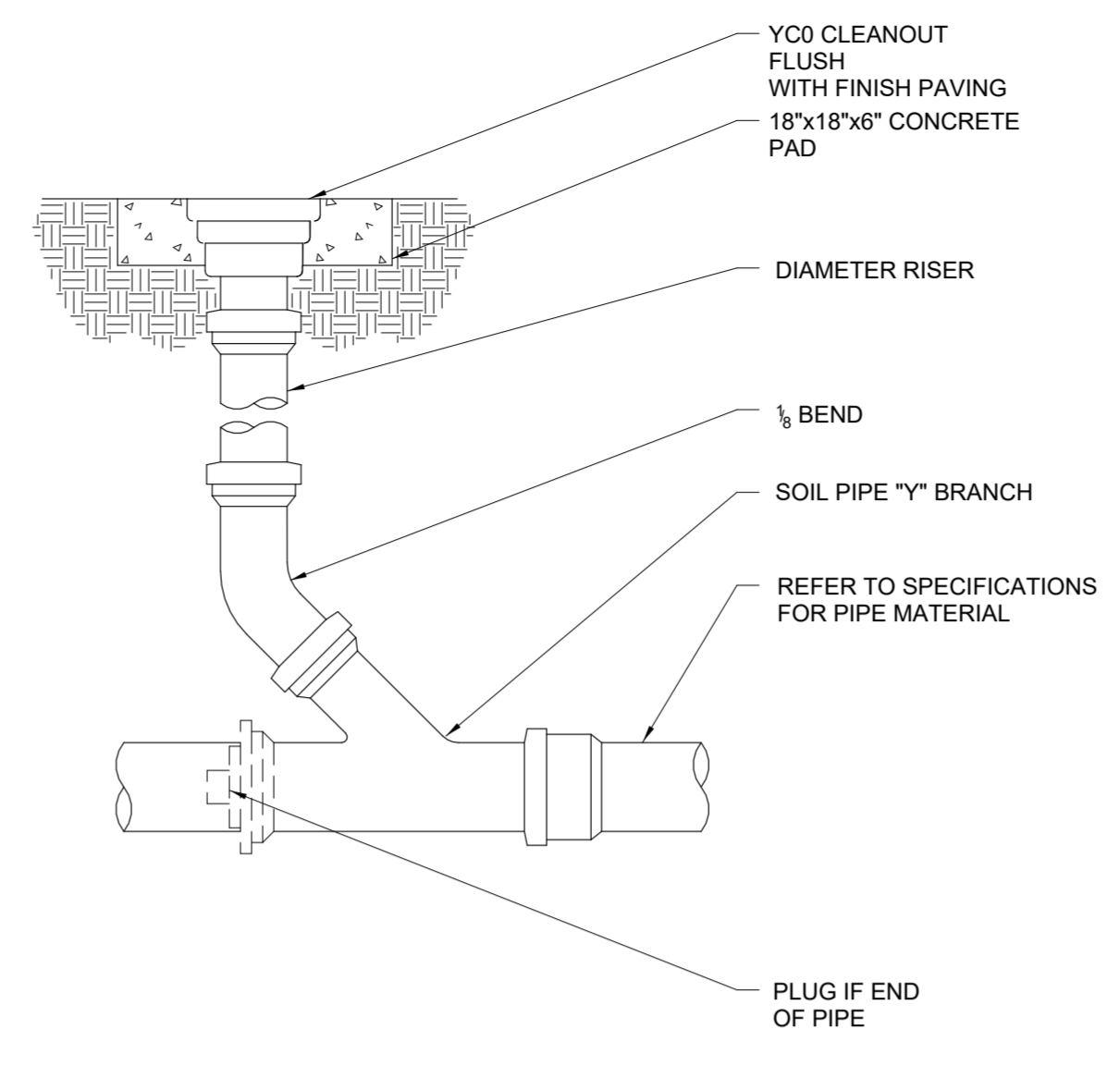
3 FLOOR CLEAN-OUT (FCO)
NTS



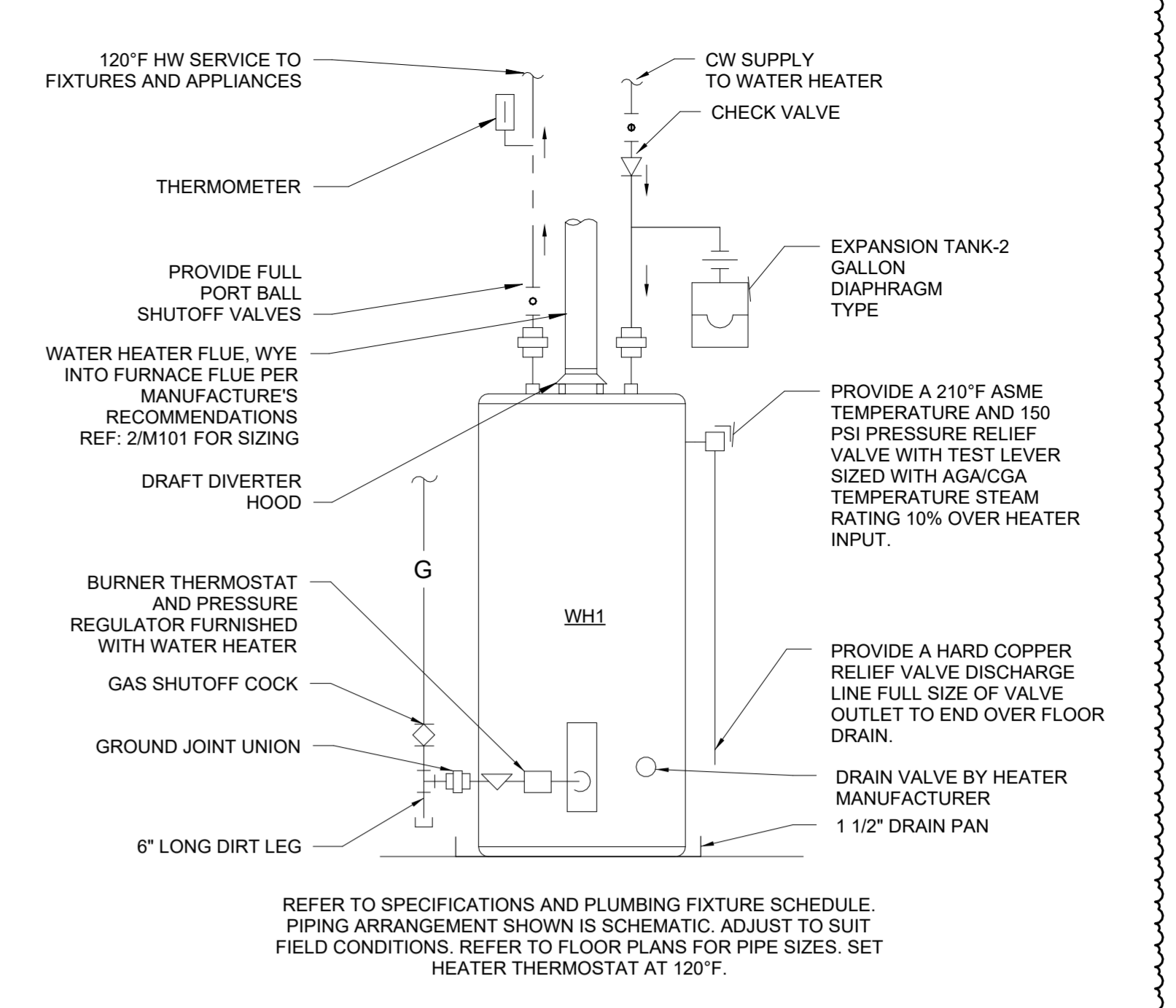
4 FREEZE PROOF WALL HYDRANT (FPWH)
NTS



5 FLOOR DRAIN DETAIL
NO SCALE



6 YARD CLEAN-OUT (YCO)
NTS



7 GAS WATER HEATER DETAIL
NOT TO SCALE

PLUMBING FIXTURE SCHEDULE

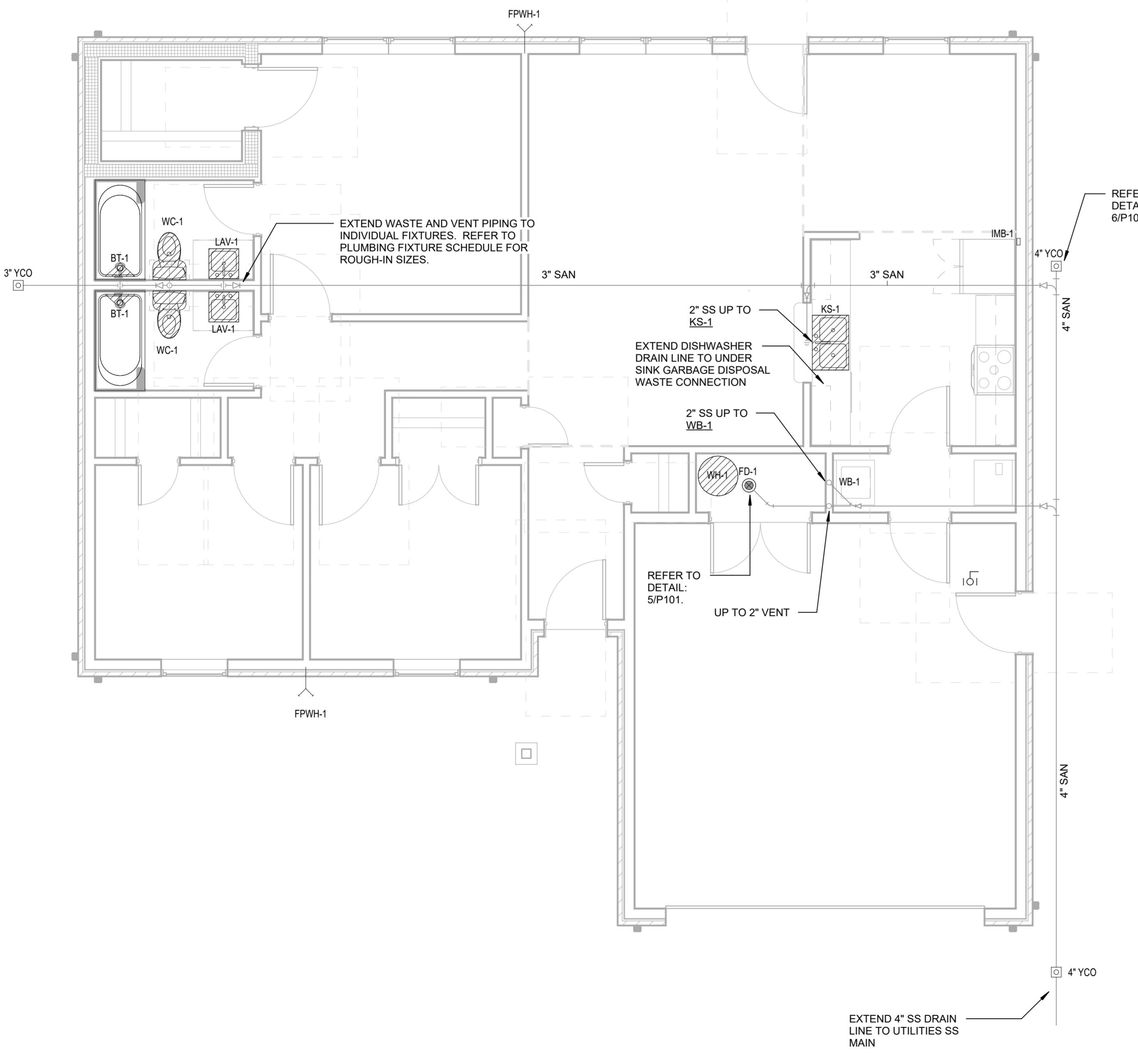
MARK	UNIT TYPE	BRANCH SIZES (MIN)				MANUFACTURER & MODEL	FAUCET/TRIM	DESCRIPTION
		WASTE	VENT	CW	HW			
BT-1	SHOWER AND TUB VALVE	0"	0"	1/2"	1/2"	AMERICAN STANDARD RU102SS	T385.502 RELIANT 3 BATH-SHOWER TRIM KIT	FLASH ROUGH VALVE BODY
FD-1	FLOOR DRAIN	2"	1 1/2"			JAY R. SMITH 2005B		FLOOR DRAIN SQUARE
FPWH-1	WALL HYDRANT			1/2"		WOOFORD B87		FREEZELESS WALL HYDRANT
IMB-1	ICE MAKER BOX	0"	0"	1/2"	0"	SILOUX CHIEF 696-G1010MF		1/4" COMPRESSION OUTLET CONNECTION OUTLET BOX
KS-1	KITCHEN SINK	2"	1 1/2"	1/2"	1/2"	AMERICAN STANDARD 22DB 6332283C.075.50/5	AMERICAN STANDARD 4175.300 F15	COLONY 33 x 22 ADA DOUBLE BOWL STAINLESS STEEL KITCHEN SINK KIT
LAV-1	DROP IN	2"	1 1/2"	1/2"	1/2"	AMERICAN STANDARD 0476.028.020	AMERICAN STANDARD 7075.050	AQUALYN DROP IN SINK VITREOUS CHINA
WB-1	WASHER WALL BOX	2"	1 1/2"	1/2"	1/2"	SILOUX CHIEF696 series		DOUBLE HOSE BIBB OUTLET CONNECTION OUTLET BOX WITH DRAIN OUTLET BOX WITH DRAIN BOX
WC-1	TANK TYPE RIGHT FLUSH	3"	2"	3/4"		AMERICAN STANDARD 211AA.004		COMPLETE TOILET WITH TANK AND SEAT HYDRAPRO MODEL HPWPTS5SC
3" YCO	YARD CLEAN-OUT	3"				ZURN Z1449		CAST IRON FERRULE AND PLUG, DURA-COATED CAST IRON, DOUBLE-FLANGED HOUSING, AND EXTRA HEAVY DUTY SCORRIATED CAST IRON COVER WITH LIFTING DEVICE, VANDAL-PROOF SCREWS
4" YCO	YARD CLEAN-OUT	4"				ZURN Z1449		CAST IRON FERRULE AND PLUG, DURA-COATED CAST IRON, DOUBLE-FLANGED HOUSING, AND EXTRA HEAVY DUTY SCORRIATED CAST IRON COVER WITH LIFTING DEVICE, VANDAL-PROOF SCREWS

- NOTES:
- CONTRACTOR TO COORDINATE FINAL SELECTIONS OF ALL PLUMBING FIXTURES WITH OWNER PRIOR TO ORDERING.
 - NOT USED.

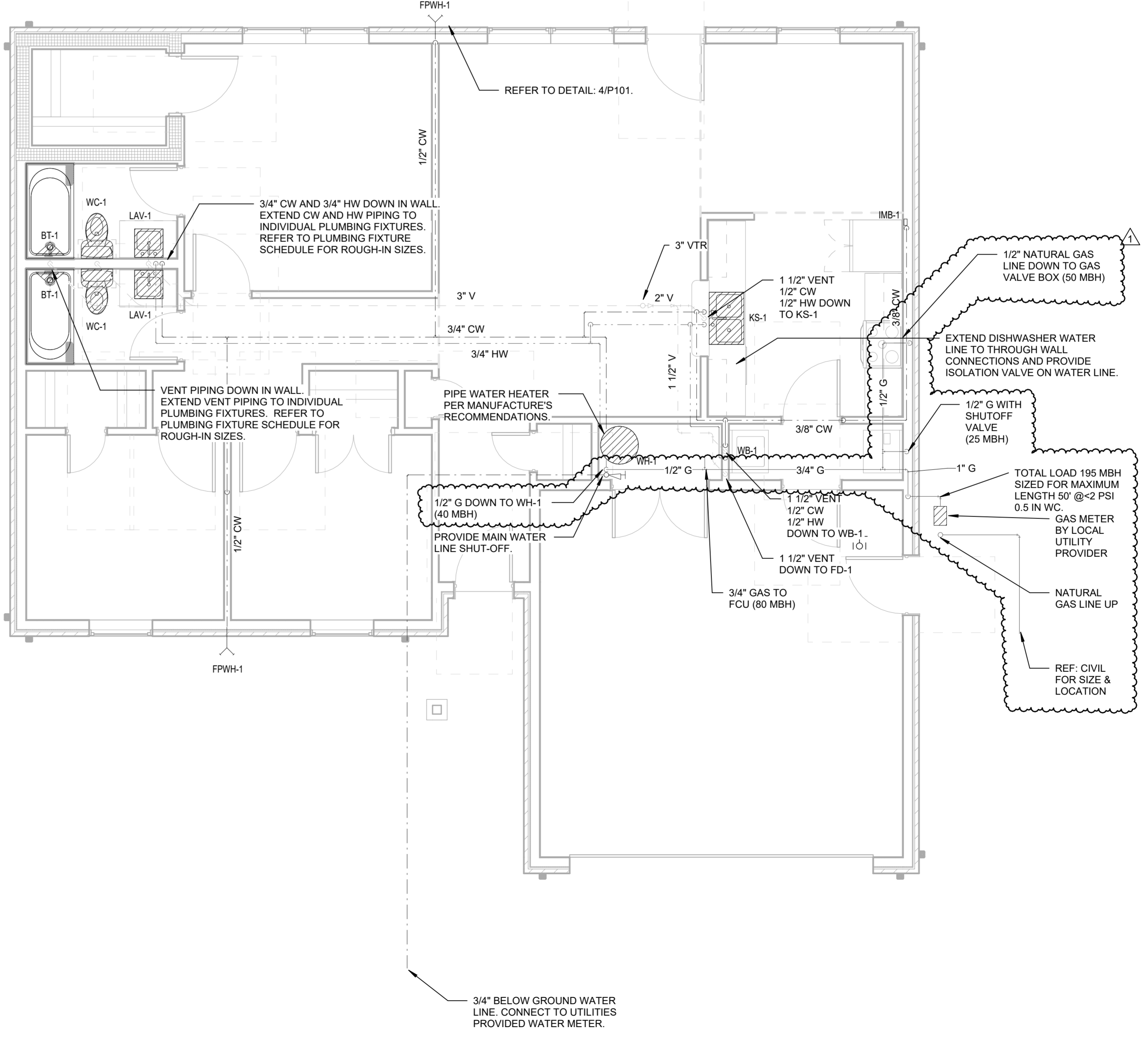
GAS WATER HEATER SCHEDULE

MARK	SERVICE	MANUFACTURER & MODEL	TANK VOLUME	MBH	RECOVERY GPH @ 90 RISE	VOLTAGE	FREQUENCY	PHASE	WEIGHT	NOTES
WH-1	HOT WATER	AM STD GSN50T1-3-6	50.0 gal	40	38	120 V	60 Hz	1	185 lb	1,3,4,5

- NOTES:
- WH-1 GAS WATER HEATER INSTALL PER MANUFACTURER'S RECOMMENDATIONS. PROVIDE ALL CODE REQUIRED SAFETY DEVICES.
 - PROVIDE CIRCULATION PUMP AS REQUIRED PER CODE.
 - PROVIDE OVERFLOW PAN OATEY MODEL 34173.
 - PROVIDE EXPANSION TANK, EACH SIZED PER MANUFACTURER'S RECOMMENDATION.
 - ROUTE PRESSURE RELIEF TO NEAREST FLOOR DRAIN WITH CODE APPROVED AIR GAP.



1 FIRST FLOOR SANITARY PLAN
1/4" = 1'-0"



2 FIRST FLOOR DOMESTIC WATER PLAN
1/4" = 1'-0"