



PLANS FOR 3 BEDROOM ADAPTABLE UNIT RIGHT GARAGE 1422 SQUARE FOOT

SHEET INDEX

SHEET NO.	DESCRIPTION
A101	TITLE SHEET
A102	FLOOR PLAN
A103	CABINET ELEV./HVAC CLOSET FRAMING
A104	FOUNDATION PLAN
A105	FOUNDATION PLAN DETAILS/WALL SECTION DETAIL
A106	ELEVATIONS – GABLE
M101	HVAC PLAN
P101	WASTE AND VENT PLUMBING PLAN
P102	DOMESTIC WATER PLAN
E101	ELECTRICAL PLAN



ENGINEER
KAS Gales Company
 Consulting Engineers
 18772 Harmon Road
 Fayetteville, AR 72704
 Wk. 479.361.9977 Cell 479.422.0763
 Email: carl.d.gales@gmail.com

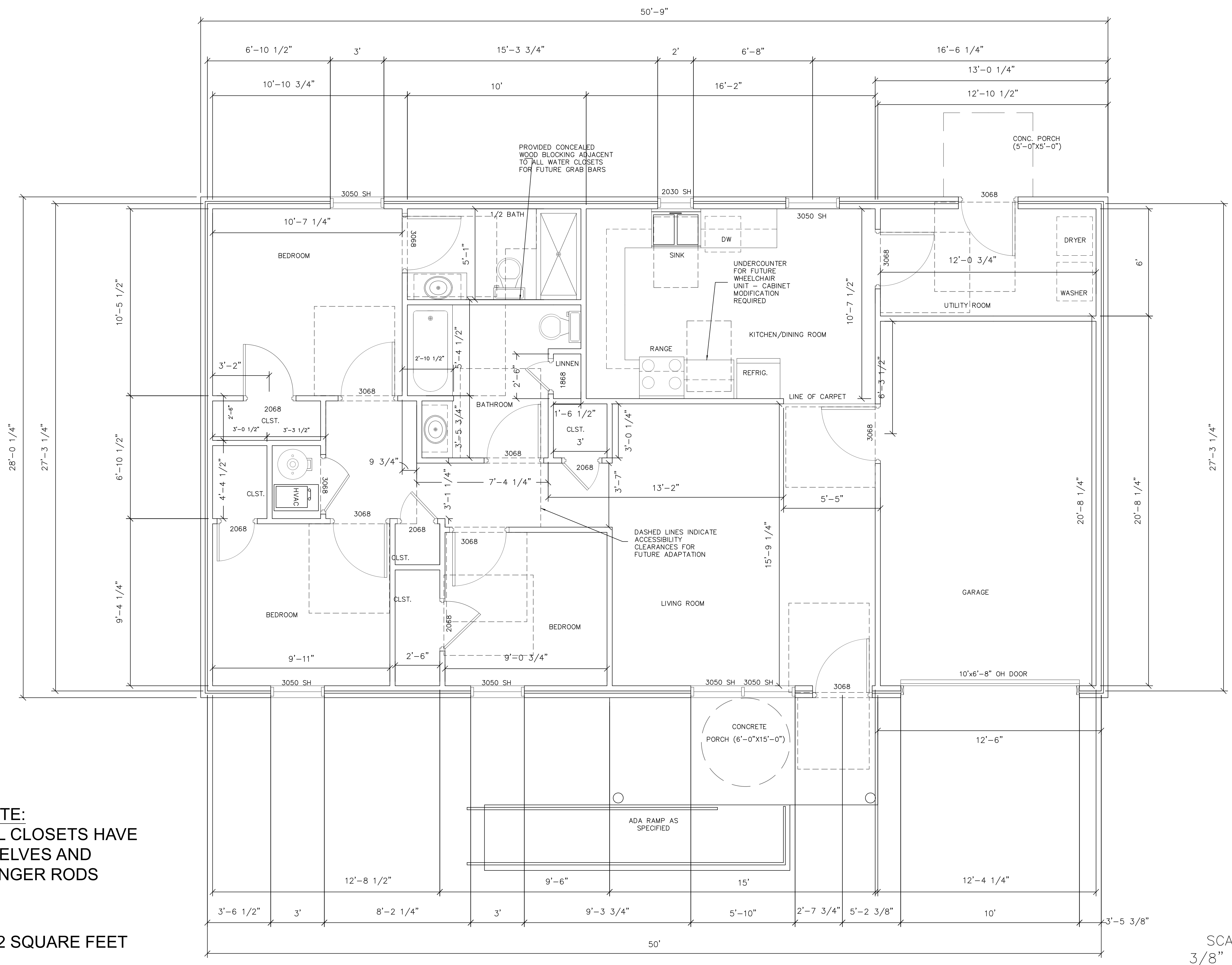
Cherokee Nation
 3 Bedroom Adaptable Unit
 Right Title Sheet
 1422 Square Feet

CLIENT: Cherokee Nation
 Housing Authority

DESIGNED BY: CDG	APPROVED BY:
DRAWN BY: MDD	DATE PREPARED: April 2022

NO.	REVISION	DATE	BY	MDD	DATE	BY	MDD	DATE	BY
0.	REVISED DOOR SIZE LINEN CLOSET								

A101
SHEET NO.



NOTE:
ALL CLOSETS HAVE
SHELVES AND
HANGER RODS

1422 SQUARE FEET

SCALE
3/8" = 1'

ENGINEER

KAS Gales Company
Consulting Engineers
18772 Harmon Road
Fayetteville, AR 72704
Wk. 479.361.9977 Cell 479.422.0763
Email: carl.d.gales@gmail.com

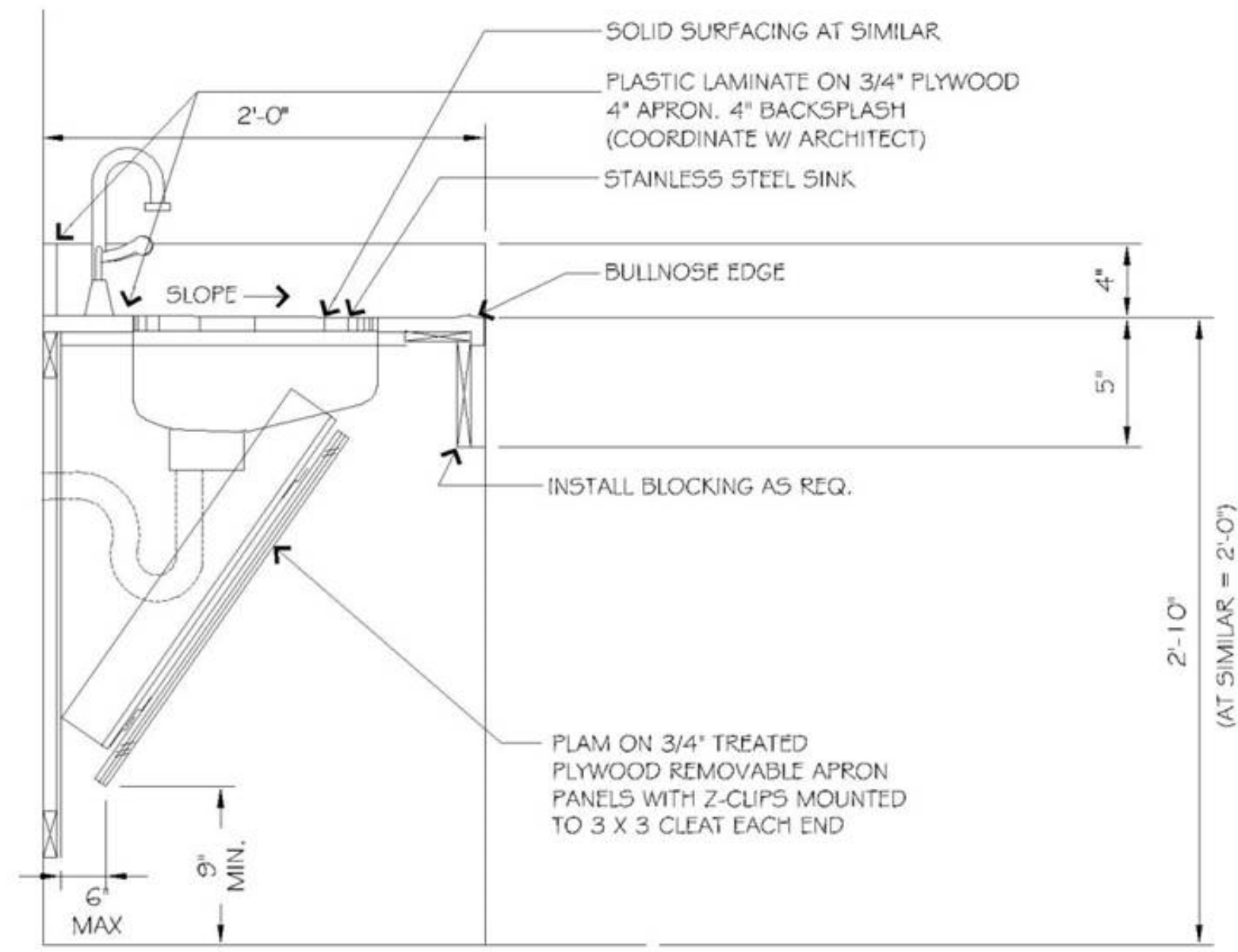


Cherokee Nation
3 Bedroom Adaptable Unit
Right Floor Plan
1422 Square Feet

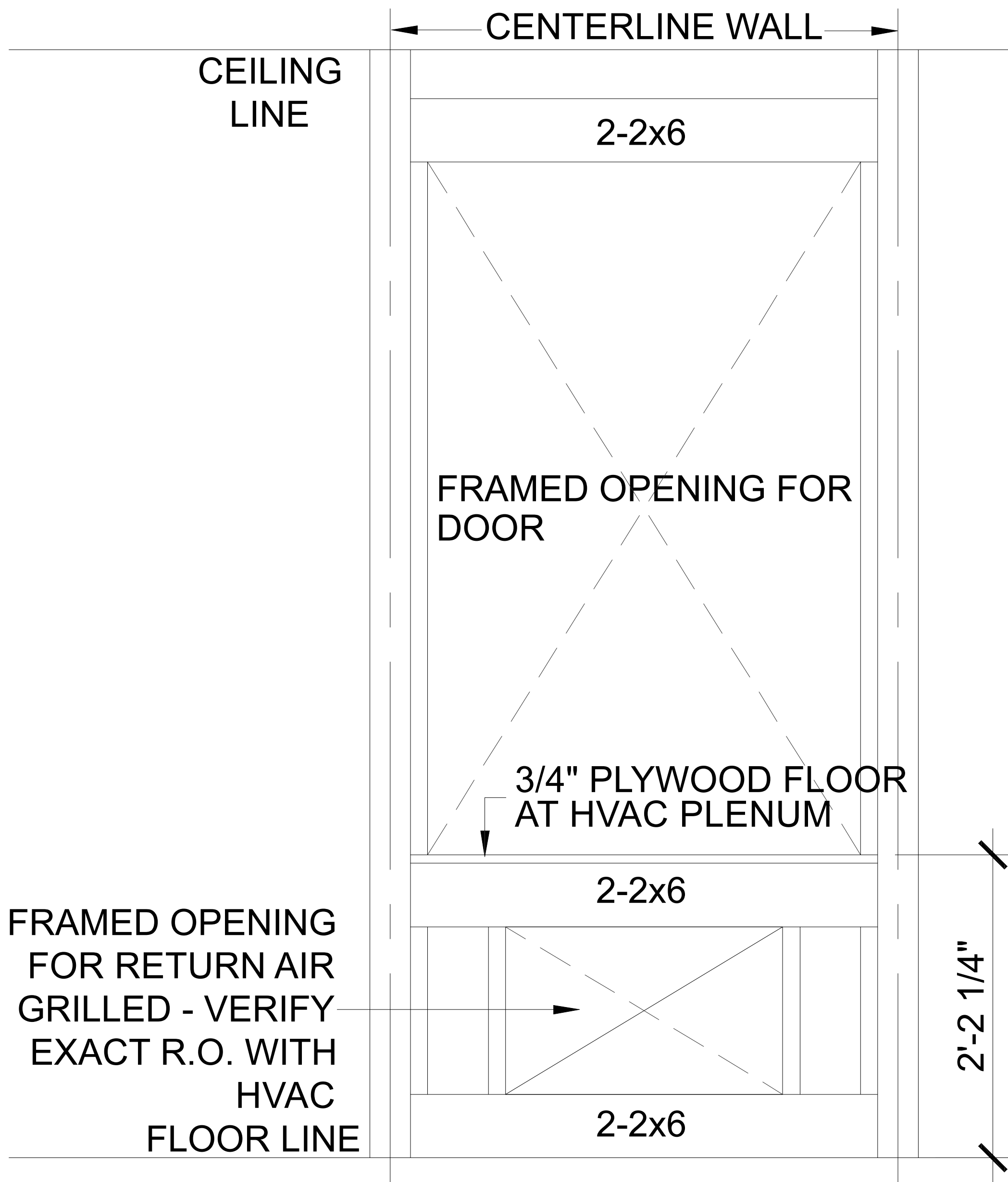
CLIENT: Cherokee Nation
Housing Authority

NO.	REVISION	DATE	BY	DESIGNED BY:	APPROVED BY:
0.	REVISED DOOR SIZE LINEN CLOSET	11/10/22	MDD	CDG	CDG
					DATE PREPARED: April 2022

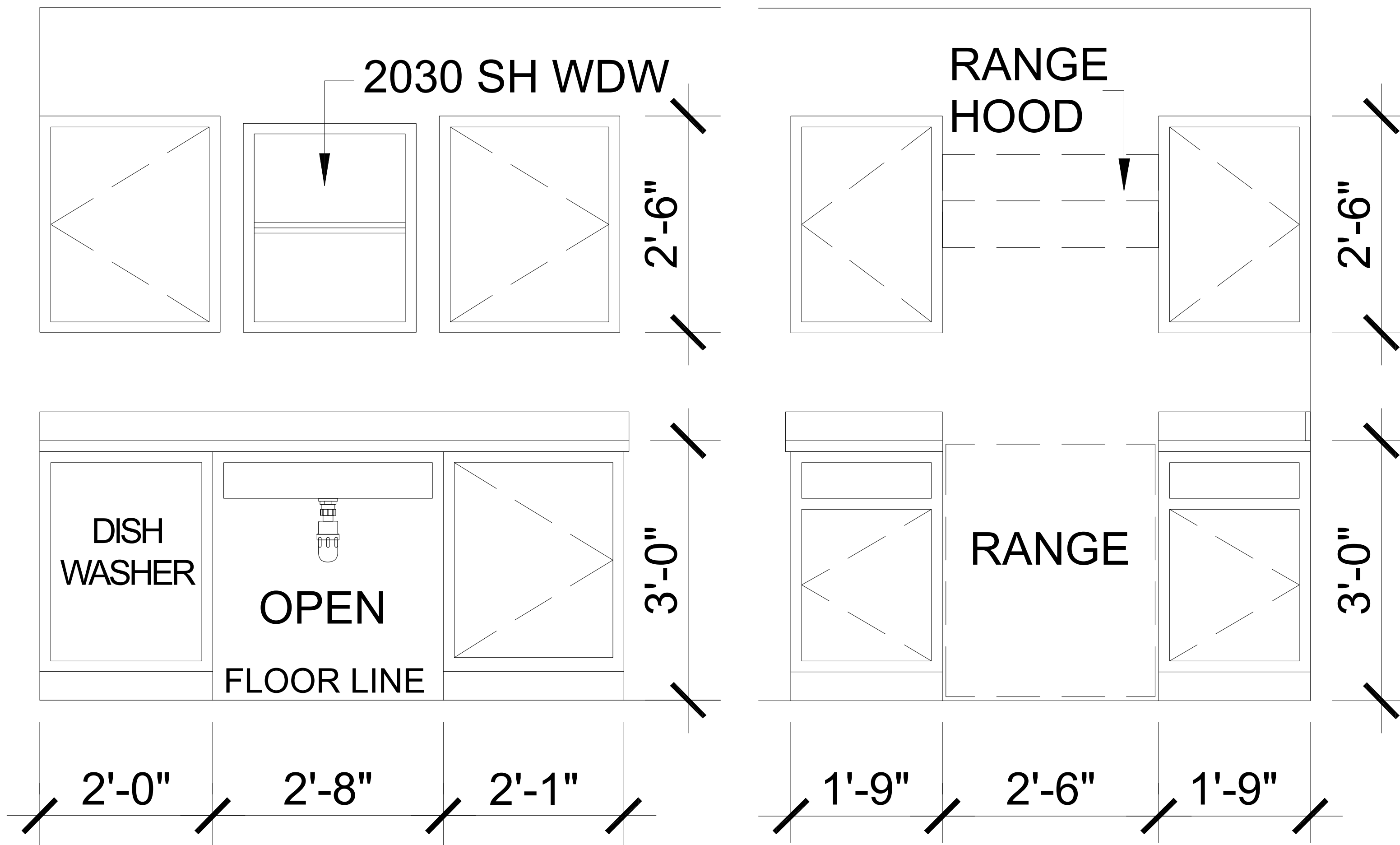
A102
SHEET NO.



ADA CABINET SIDE VIEW
N.T.S.



HVAC CLOSET FRAMING
SCALE 1" = 1/2" = 1'



CABINET ELEVATION
SCALE 1" = 1/2" = 1'

NOTE:
ONE UNIT WILL BE LOWERED FOR ADA COMPLIANCE WITH OPEN UNDER SINK IN KITCHEN AND BATHROOM FOR WHEEL CHAIR ACCESSIBILITY. SEE ADA CABINET SIDE VIEW FOR DIMENSIONS.

ENGINEER
KAS Gales Company
Consulting Engineers
18772 Harmon Road
Fayetteville, AR 72704
Wk. 479.361.9977 Cell 479.422.0763
Email: carl.d.gales@gmail.com

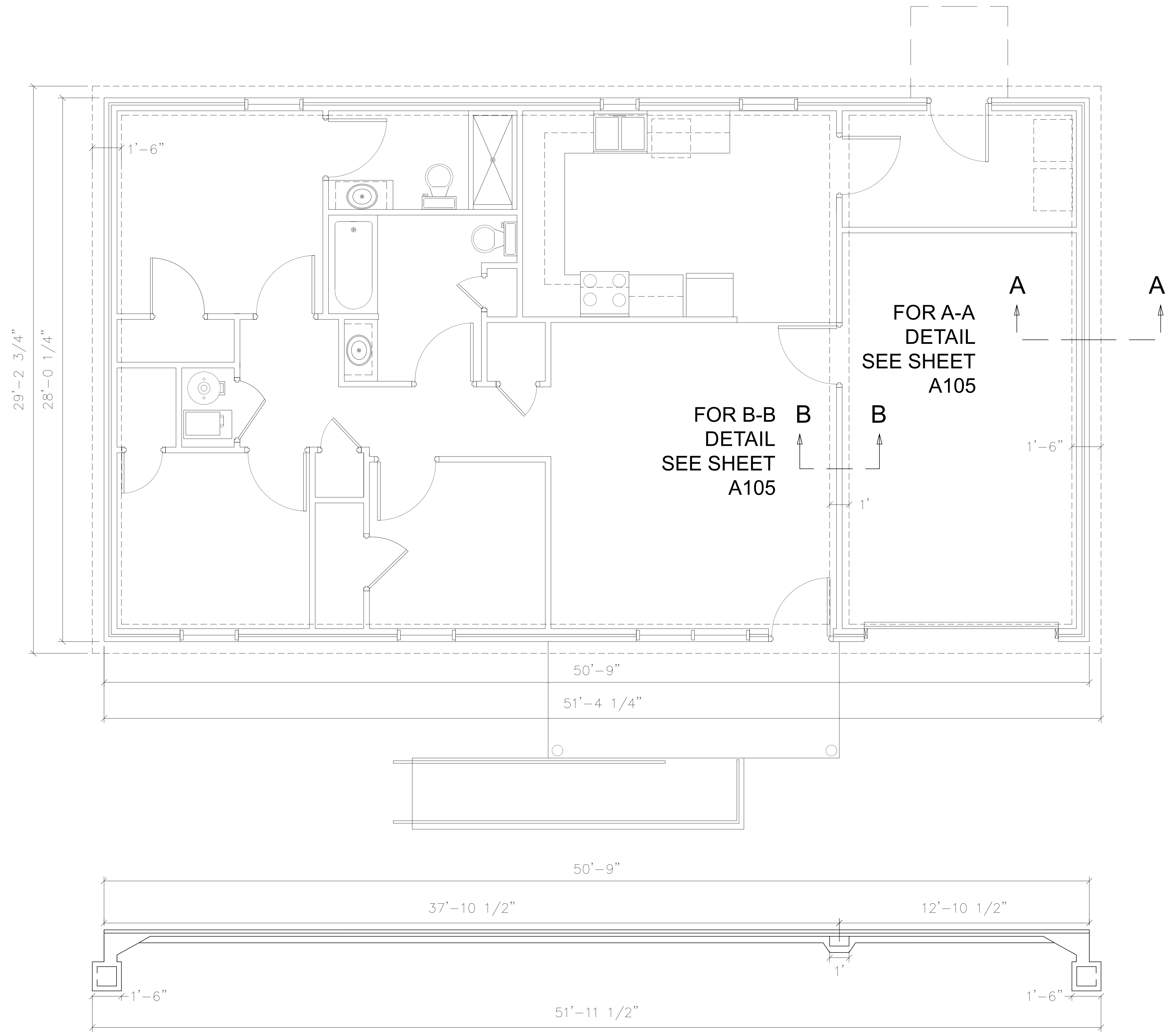


Cherokee Nation
3 Bedroom Adaptable Unit
Right Cabinet Elev/HVAC
1422 Square Feet

CLIENT: Cherokee Nation
Housing Authority

DESIGNED BY:	APPROVED BY:
CDG	CDG
DATE PREPARED:	DATE PREPARED:
April 2022	April 2022
DESIGNED BY:	APPROVED BY:
MDD	MDD
DATE:	DATE:
11/10/22	11/10/22
REVISION:	REVISION:
NO.	NO.
0.	0.

A103
SHEET NO.



SCALE
3/8" = 1'



ENGINEER
KAS Gales Company
 Consulting Engineers
 18772 Harmon Road
 Fayetteville, AR 72704
 Wk. 479.361.9977 Cell 479.422.0763
 Email: carl.d.gales@gmail.com

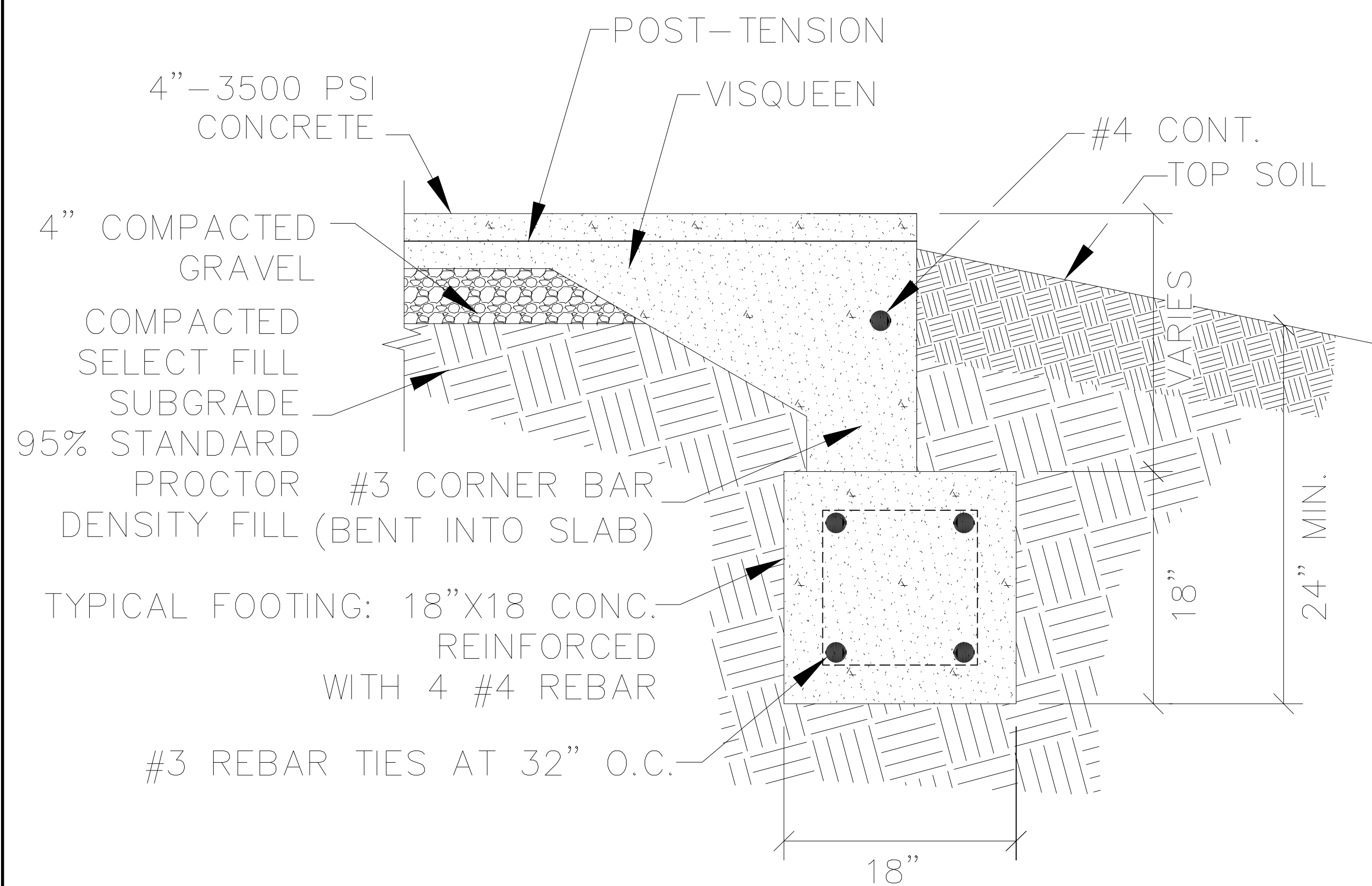
**Cherokee Nation
 3 Bedroom Adaptable Unit
 Right Foundation Plan
 1422 Square Feet**

CLIENT: Cherokee Nation
 Housing Authority

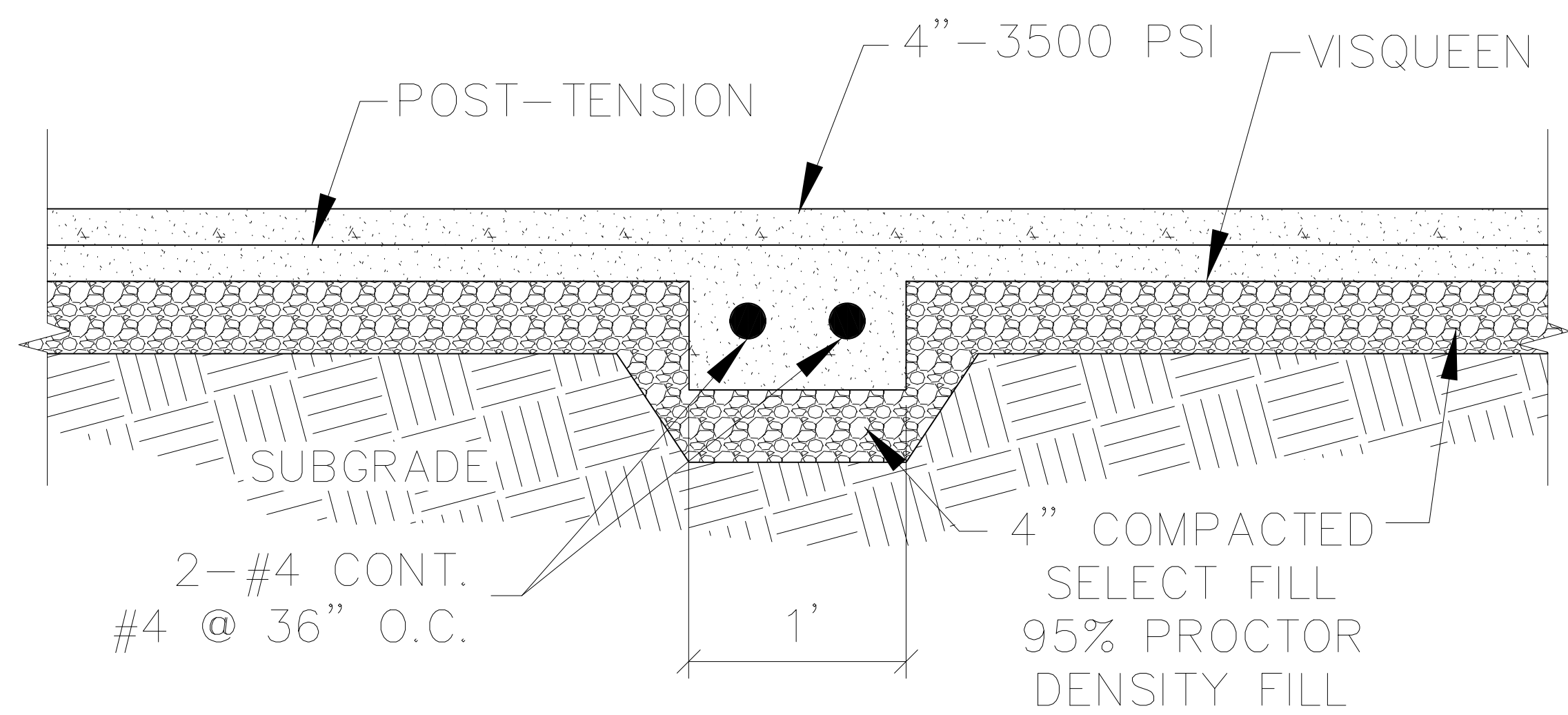
NO.	REVISION	DATE	BY	DATE	BY
0.	REVISED DOOR SIZE LINEN CLOSET	11/10/22	MDD	11/10/22	MDD

DESIGNED BY:	APPROVED BY:
MDD	CDG
DRAWN BY:	DATE PREPARED:
MDD	April 2022

A104
 SHEET NO.

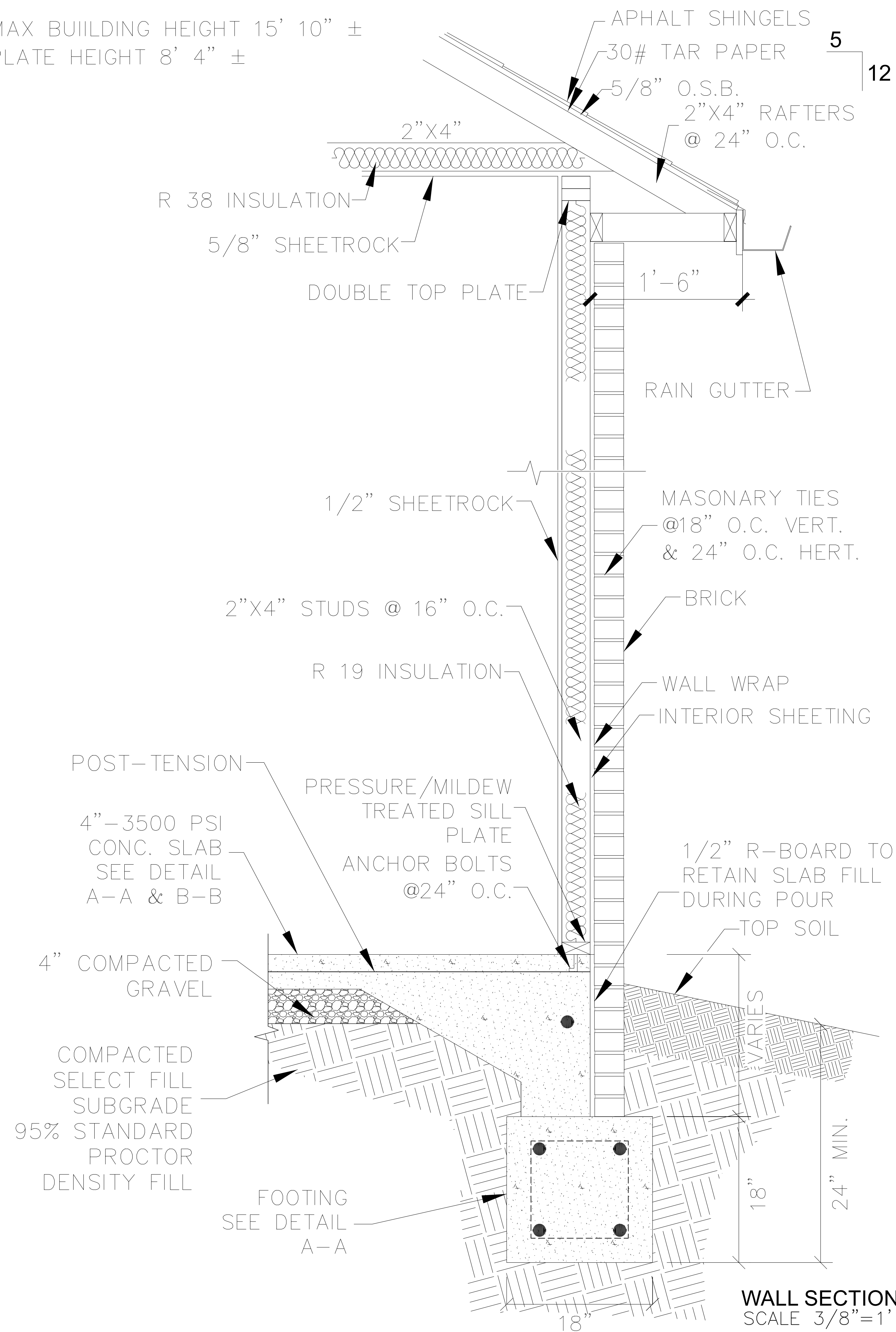


**A-A SECTION
FOUNDATION DETAIL**
SCALE N.T.S.



**B-B SECTION
FOUNDATION DETAIL**
SCALE N.T.S.

MAX BUILDING HEIGHT 15' 10" ±
PLATE HEIGHT 8' 4" ±



WALL SECTION
SCALE 3/8" = 1'

ENGINEER
KAS Gales Company
Consulting Engineers
18772 Harmon Road
Fayetteville, AR 72704
Wk. 479.361.9977 Cell 479.422.0763
Email: carl.d.gales@gmail.com



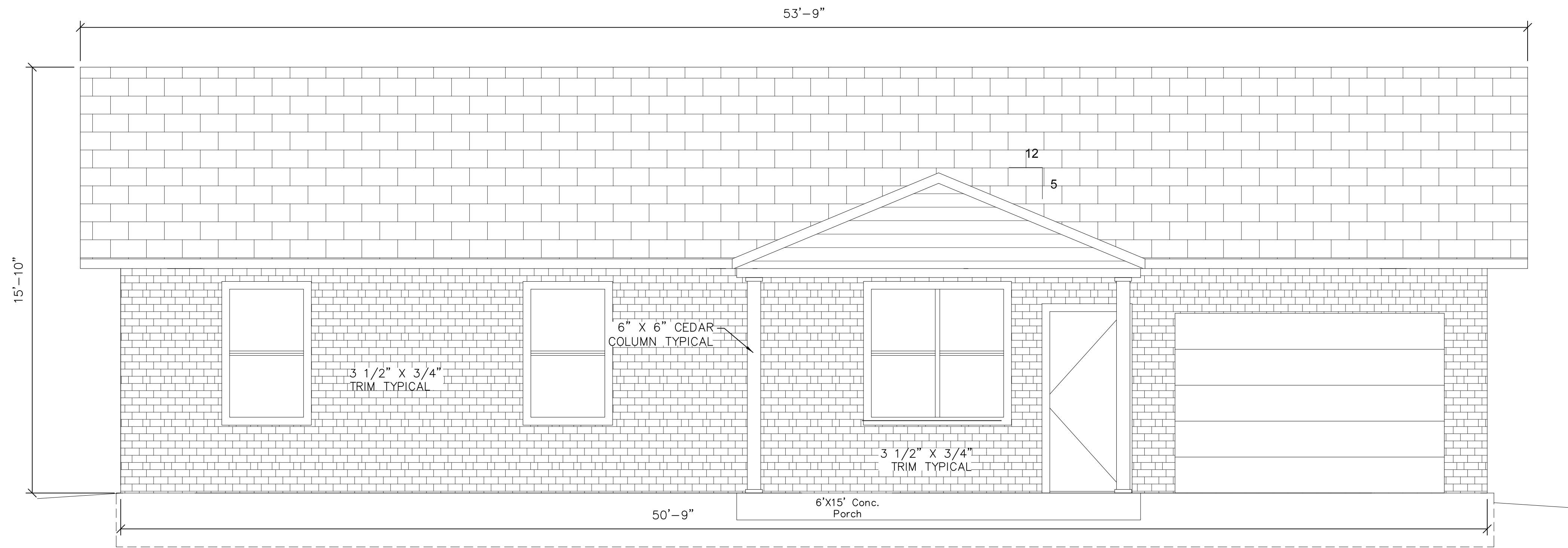
Cherokee Nation
3 Bedroom Adaptable Unit
Right Foundation Details
1422 Square Feet

CLIENT: Cherokee Nation
Housing Authority

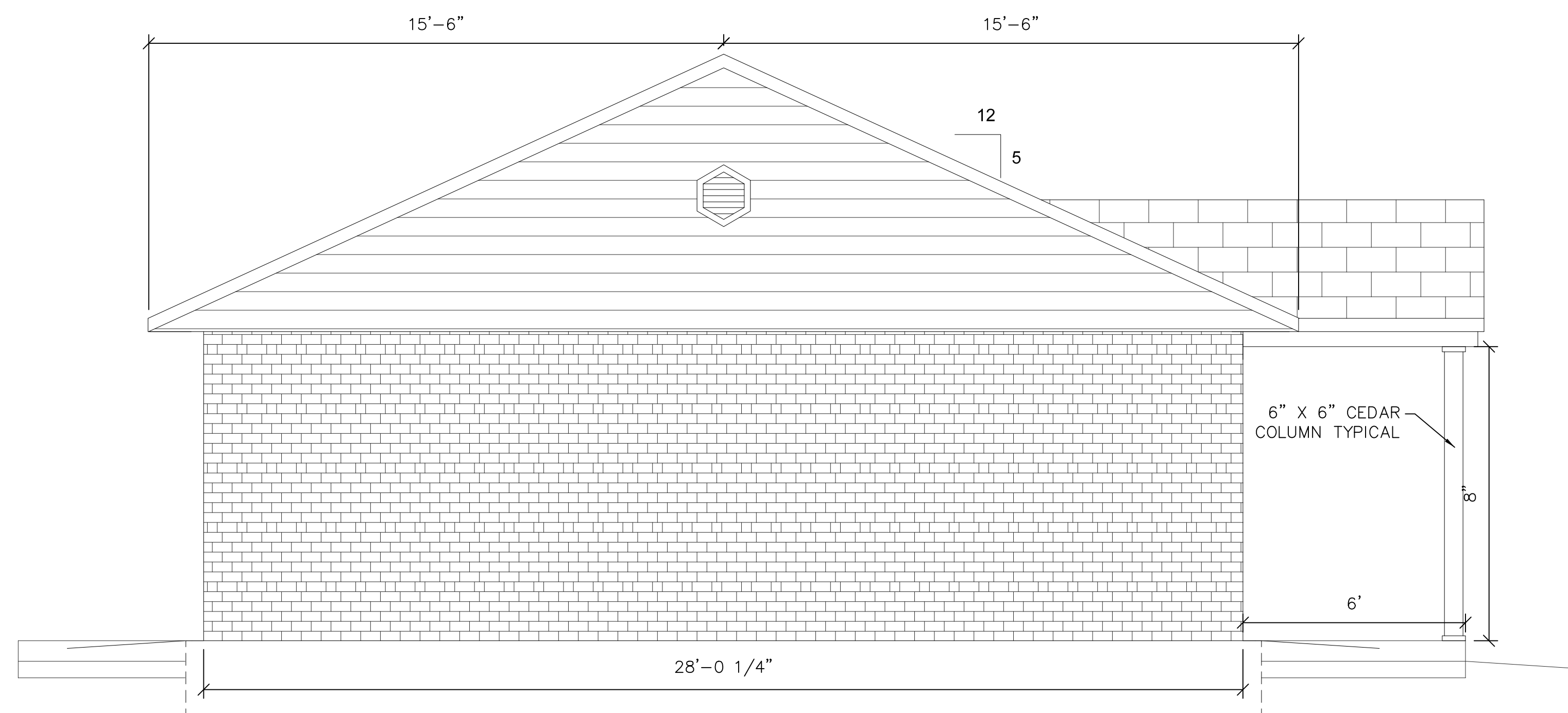
DESIGNED BY:	APPROVED BY:
MDD	CDG
DRAWN BY:	DATE PREPARED:
MDD	April 2022

NO.	REVISION	DATE	BY
0.	REVISED DOOR SIZE LINEN CLOSET	11/10/22	MDD

A105
SHEET NO.



FRONT ELEVATION



SIDE ELEVATION

SCALE
3/8" = 1'

ENGINEER

KAS Gales Company
Consulting Engineers
18772 Harmon Road
Fayetteville, AR 72704
Wk. 479.361.9977 Cell 479.422.0763
Email: carl.d.gales@gmail.com



Cherokee Nation
3 Bedroom Adaptable Unit
Right Elevations
1422 Square Feet

CLIENT: Cherokee Nation
Housing Authority

NO.	REVISION	DATE	BY	DATE	BY	APPROVED BY:
0.	REVISED DOOR SIZE LINEN CLOSET	11/10/22	MDD	11/10/22	CDG	APPROVED BY: DATE PREPARED: April 2022

A106
SHEET NO.

ENGINEER
KAS Gales Company
 Consulting Engineers
 18772 Harmon Road
 Fayetteville, AR 72704
 Wk. 479.361.9977 Cell 479.422.0763
 Email: carl.d.gales@gmail.com



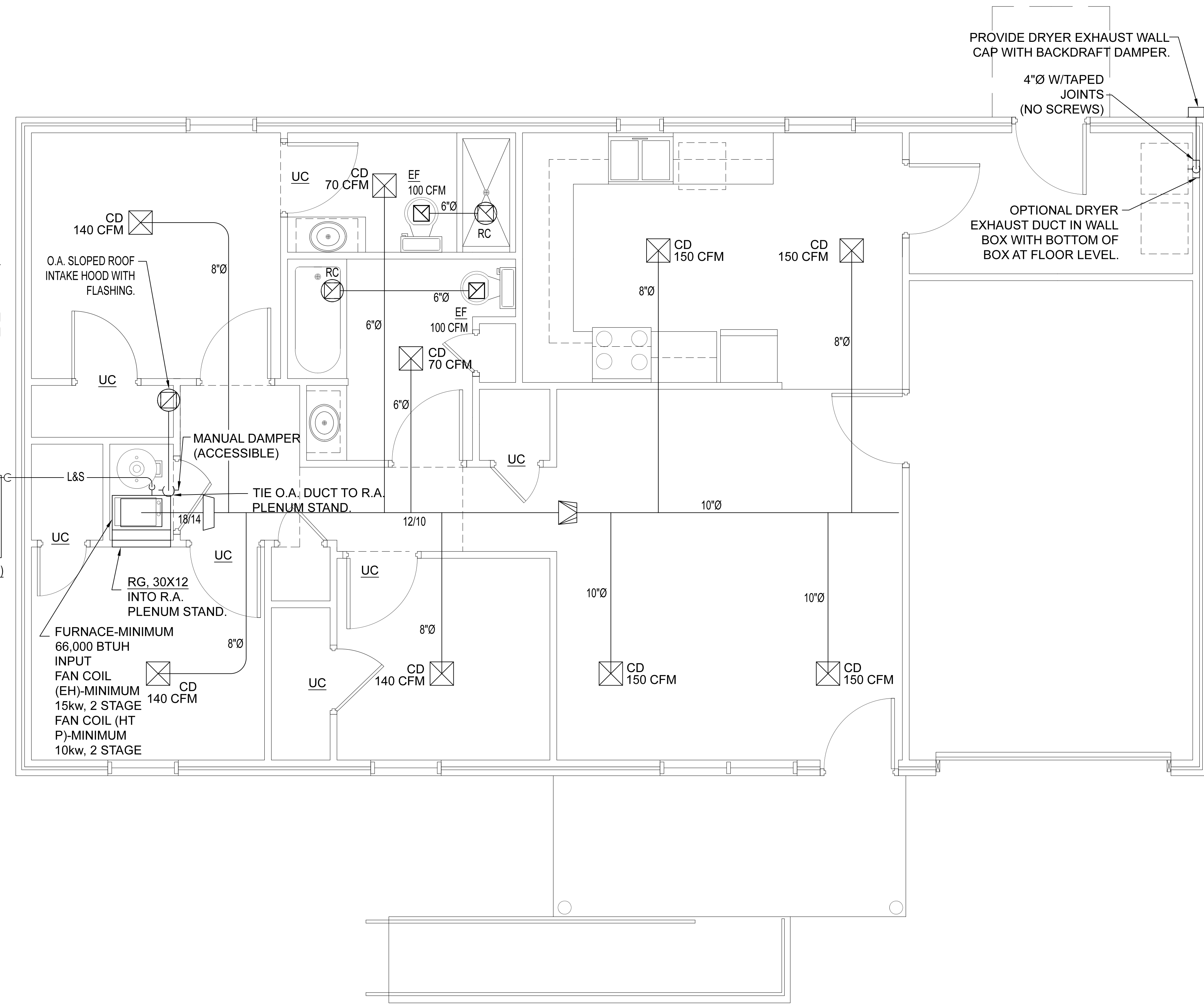
Cherokee Nation
 3 Bedroom Adaptable Unit
 Right HVAC Plan
 1422 Square Feet

CLIENT: Cherokee Nation
 Housing Authority

DESIGNED BY:	APPROVED BY:
MDD	CDG
DATE:	DATE PREPARED:
11/10/22	April 2022
BY:	
MDD	
REVISION	NO.
0.	
REVISED DOOR SIZE LINEN CLOSET	

M101
 SHEET NO.

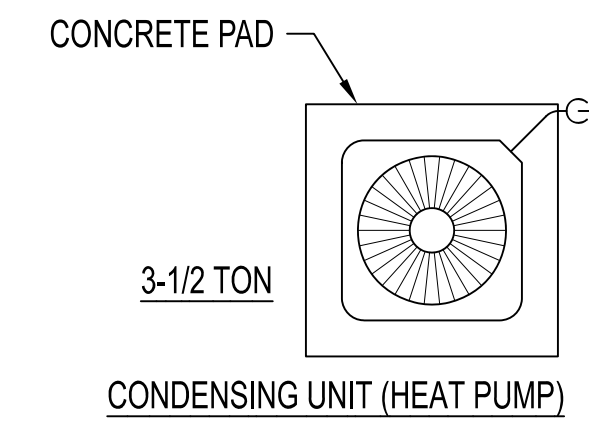
SCALE
 3/8" = 1'



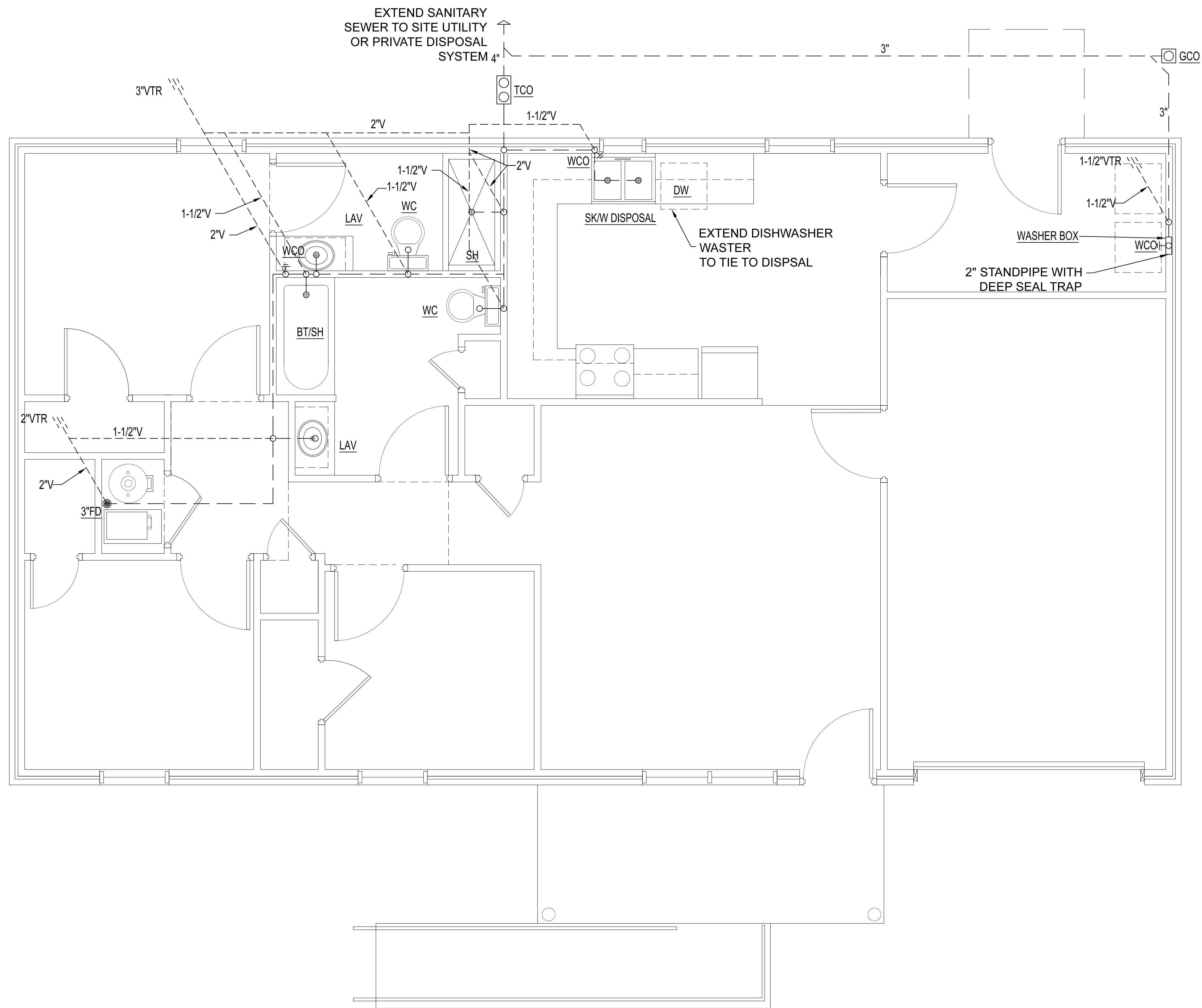
UC = UNDERCUT DOOR

AIR DEVICES - HART & COOLEY OR EQUAL
 CEILING DIFFUSERS TYPE 500
 6x6 75 CFM OR LESS
 8x8 75-120 CFM
 10x10 120-175 CFM
 12x12 175-300 CFM

SIDEWALL FURNACE (FAN COIL) RETURN GRILLE
 TYPE 672
 30x12 800 CFM (2T)
 30x18 1200 CFM (3T)
 30x24 1600 CFM (4T)



- NOTE:**
1. VERIFY HEAT SOURCE WITH CONSTRUCTOR. (GAS, ELECTRIC RESISTANCE, OR AIR TO AIR HEAT PUMP)
 2. HEAT PUMP FAN COIL UNITS TO BE PROVIDED WITH SUPPLEMENTAL ELECTRIC HEATER. (SIZED TO PROVIDE SUPPLY AIR TEMPERATURE ABOVE 95°F WITH HEAT PUMP OPERATION AT 0°F OUTSIDE AIR TEMPERATURE.)
 3. PROVIDE FLUE AND COMBUSTION AIR DUCTING FOR GAS FIRED FURNACE.



SCALE
3/8" = 1'



ENGINEER
KAS Gales Company
Consulting Engineers
18772 Harmon Road
Fayetteville, AR 72704
Wk. 479.361.9977 Cell 479.422.0763
Email: carl.d.gales@gmail.com

**Cherokee Nation
3 Bedroom Adaptable Unit
Right Waste and Vent
Plumbing Plan
1422 Square Feet**

CLIENT: Cherokee Nation
Housing Authority

DESIGNED BY:
CDG
APPROVED BY:
DATE PREPARED:
April 2022

DRAWN BY:
MDD

NO.	REVISION		DATE	BY
	NO.	DESCRIPTION		
0.		REVISED DOOR SIZE LINEN CLOSET	11/10/22	MDD

P101
SHEET NO.

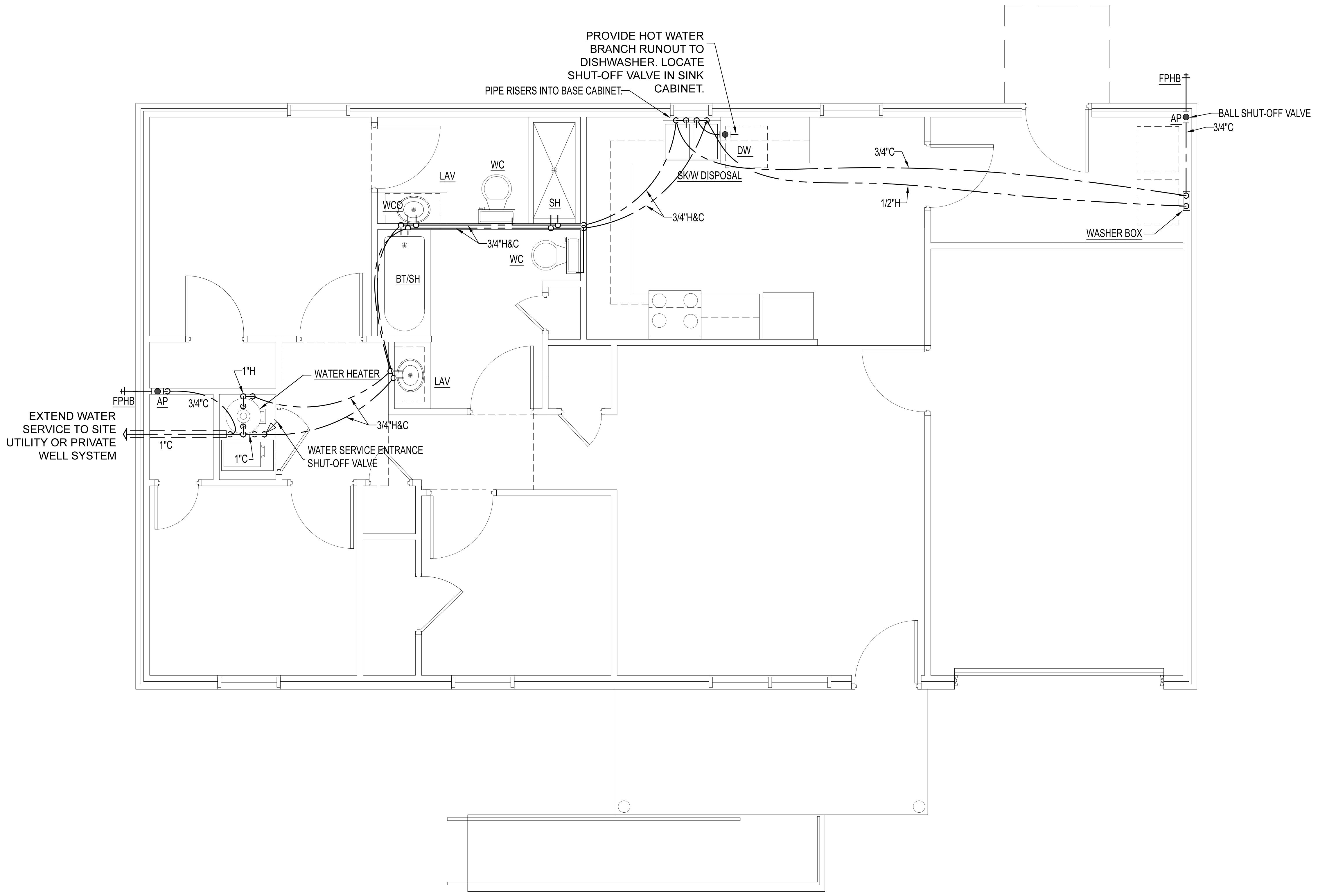


ENGINEER
KAS Gales Company
 Consulting Engineers
 18772 Harmon Road
 Fayetteville, AR 72704
 Wk. 479.361.9977 Cell 479.422.0763
 Email: carl.d.gales@gmail.com

Cherokee Nation
 3 Bedroom Adaptable Unit
 Right Domestic Water Plan
 1422 Square Feet

CLIENT: Cherokee Nation
 Housing Authority

DESIGNED BY:	APPROVED BY:
MDD	CDG
DRAWN BY:	DATE PREPARED:
MDD	April 2022

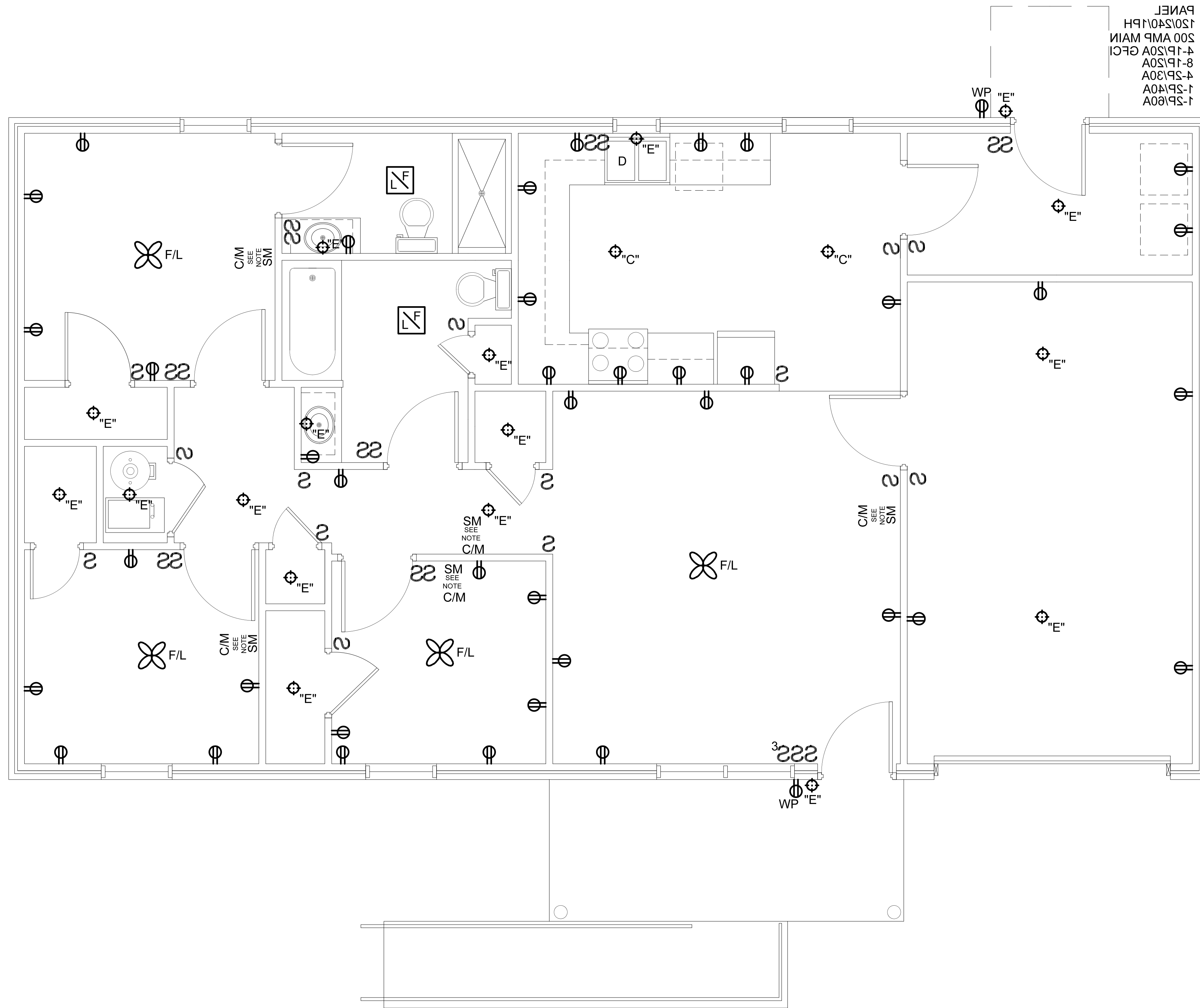


SCALE
 3/8" = 1'


NO.	REVISION	DATE	BY
0.	REVISED DOOR SIZE LINEN CLOSET	11/10/22	MDD

P102
 SHEET NO.

NOTE:
SMOKE DETECTORS TO BE
INSTALLED ON THE WALL 12
INCHES FROM CEILING PER
NFPA



SCALE
3/8" = 1'



ENGINEER
KAS Gales Company
Consulting Engineers
18772 Harmon Road
Fayetteville, AR 72704
Wk. 479.361.9977 Cell 479.422.0763
Email: carl.d.gales@gmail.com

Cherokee Nation
3 Bedroom Adaptable Unit
Right Electrical Plan
1422 Square Feet

CLIENT: Cherokee Nation
Housing Authority

DESIGNED BY:	APPROVED BY:
MDD	CDG
DRAWN BY:	DATE PREPARED:
MDD	April 2022

NO.	REVISION	DATE	BY
0.	REVISED DOOR SIZE LINEN CLOSET	11/10/22	MDD

E101
SHEET NO.