



ENGINEER
KAS Gales Company
Consulting Engineers
18772 Harmon Road
Fayetteville, AR 72704
Wk. 479.361.9977 Cell 479.422.0763
Email: carl.d.gales@gmail.com

Cherokee Nation
4 Bedroom Adaptable Unit
Right Title Sheet
1422 Square Feet

CLIENT: Cherokee Nation
Housing Authority

DESIGNED BY: CDG
DRAWN BY: MDD
DATE PREPARED: Nov. 2022

NO. REVISION
BY
DATE

A101
SHEET NO.

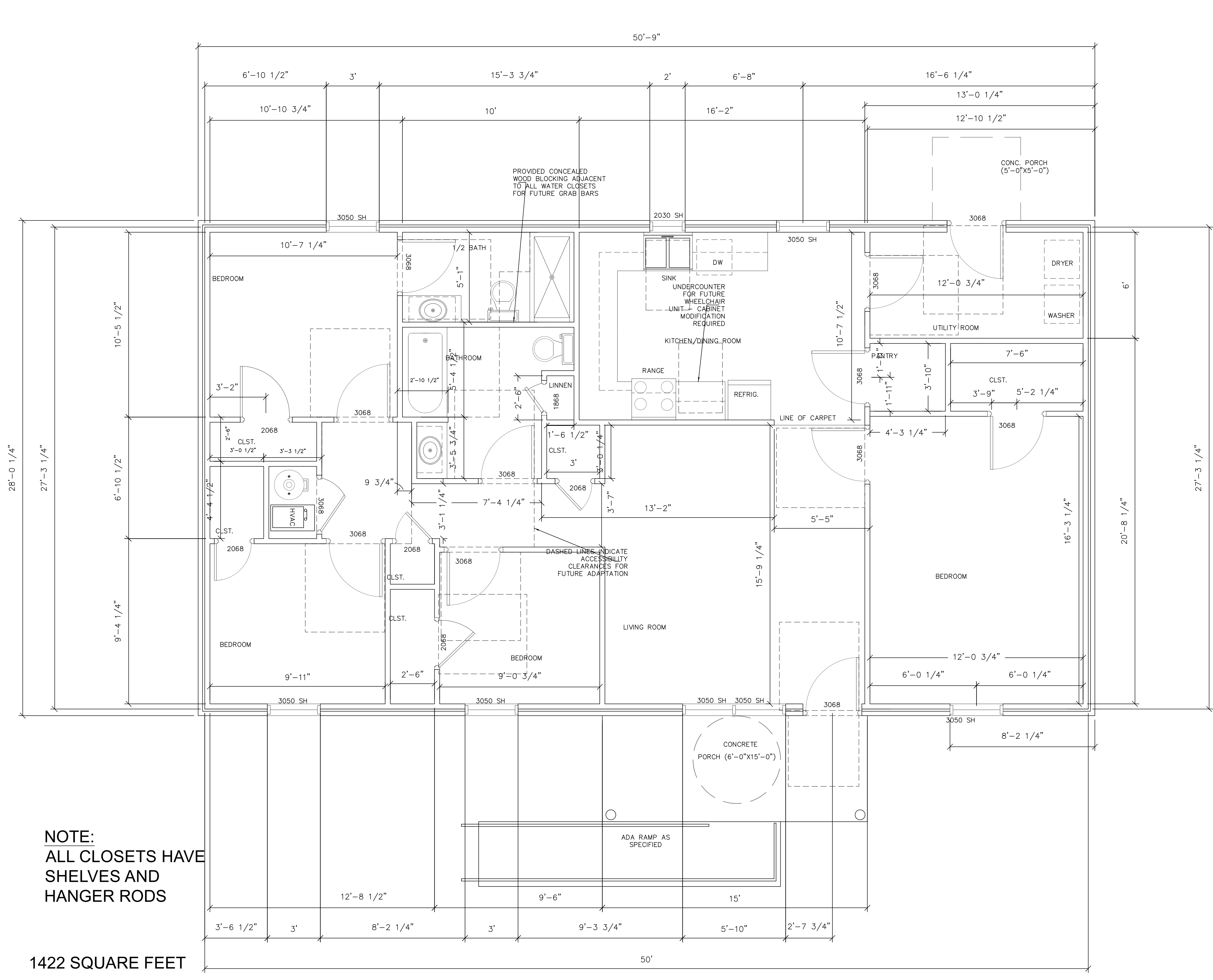


PLANS FOR
4 BEDROOM ADAPTABLE UNIT
RIGHT BEDROOM
1422 SQUARE FOOT

SHEET INDEX

SHEET NO.	DESCRIPTION
A101	TITLE SHEET
A102	FLOOR PLAN
A103	CABINET ELEV./HVAC CLOSET FRAMING
A104	FOUNDATION PLAN
A105	FOUNDATION PLAN DETAILS/WALL SECTION DETAIL
A106	ELEVATIONS – GABLE
M101	HVAC PLAN
P101	WASTE AND VENT PLUMBING PLAN
P102	DOMESTIC WATER PLAN
E101	ELECTRICAL PLAN

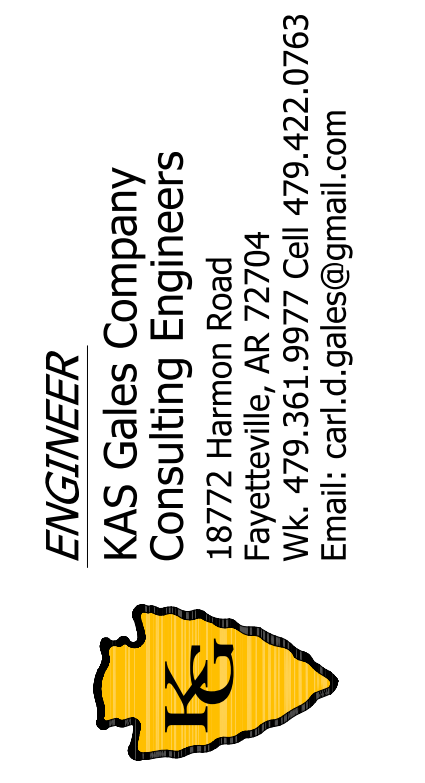




**NOTE:
ALL CLOSETS HAVE
SHELVES AND
HANGER RODS**

1422 SQUARE FEET

SCALE
3/8" = 1'



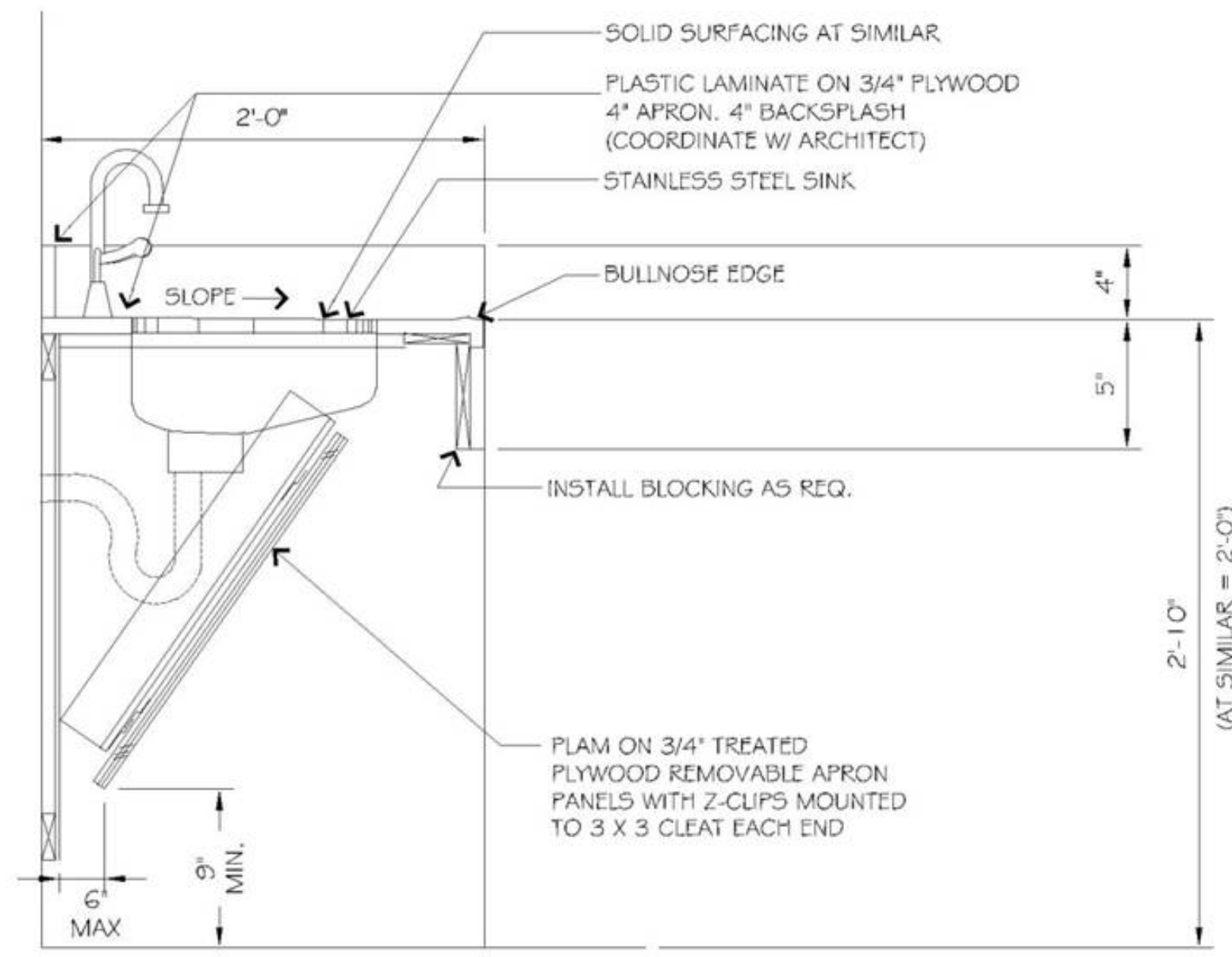
**Cherokee Nation
4 Bedroom Adaptable Unit
Right Floor Plan
1422 Square Feet**

CLIENT: Cherokee Nation
Housing Authority

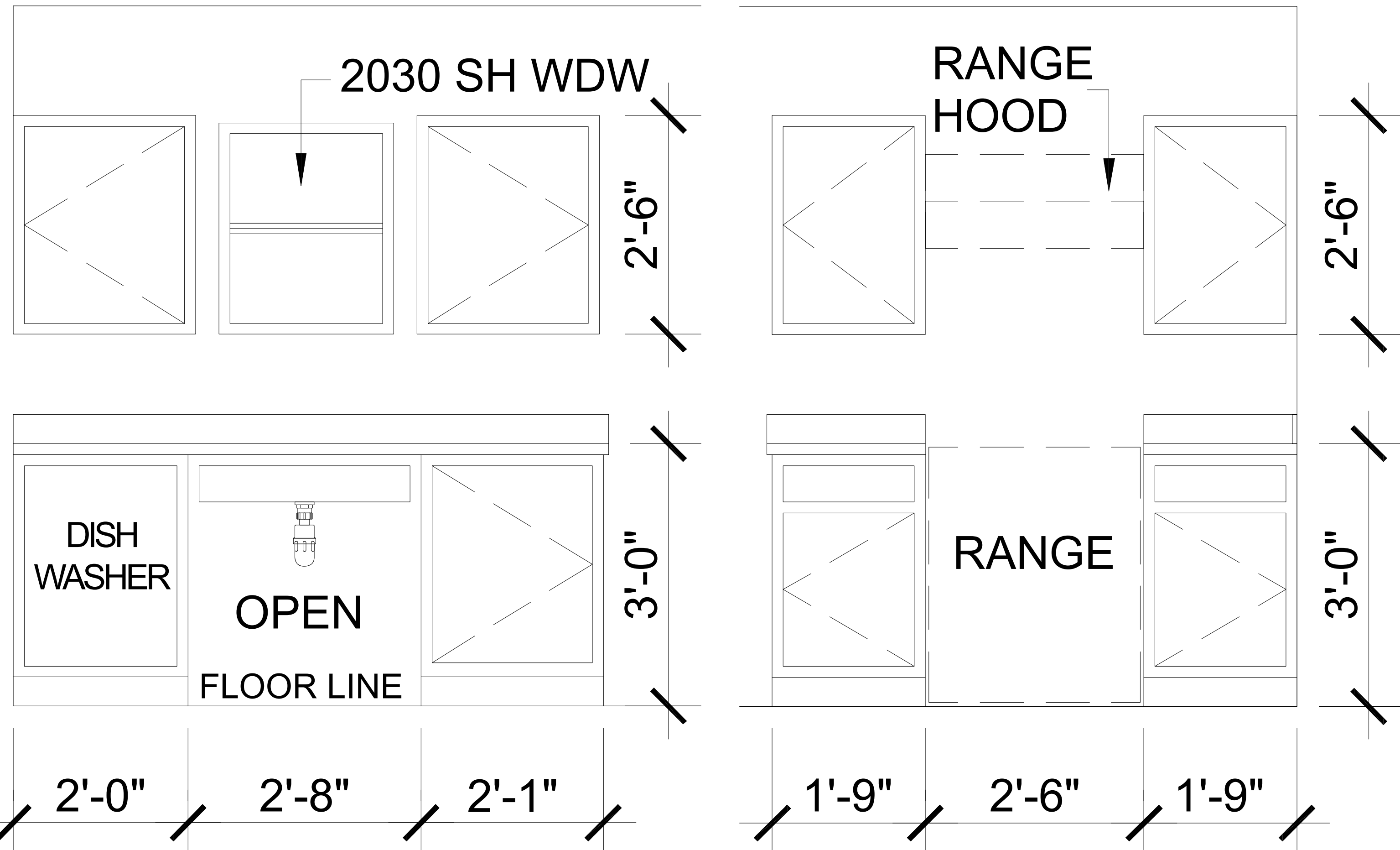
NO.	REVISION	DATE	BY	DESIGNED BY: CDG	APPROVED BY:

**A102
SHEET NO.**

ENGINEER
KAS Gales Company
Consulting Engineers
18772 Harmon Road
Fayetteville, AR 72704
Wk. 479.361.9977 Cell 479.422.0763
Email: carl.d.gales@gmail.com

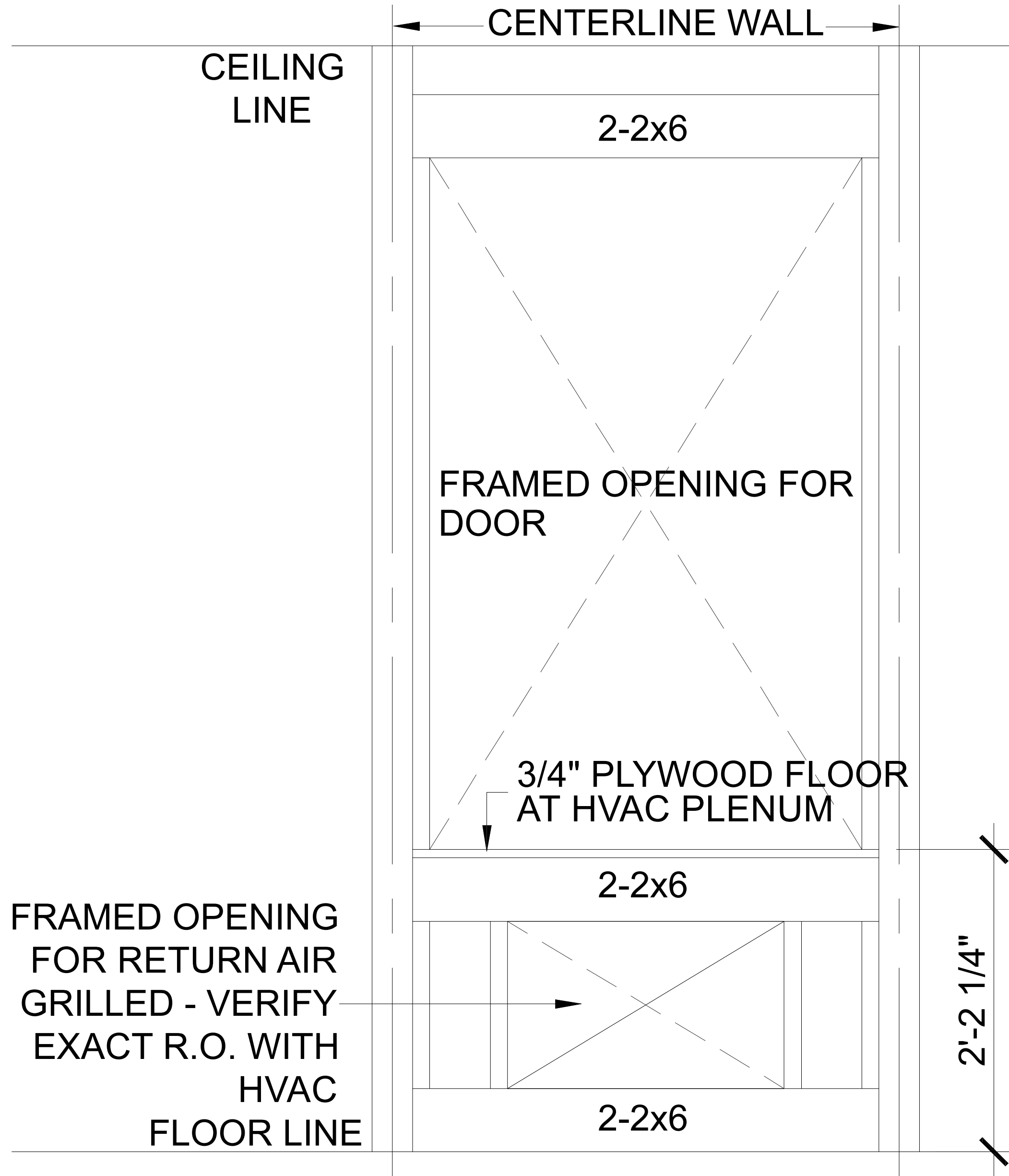


ADA CABINET SIDE VIEW
 N.T.S.

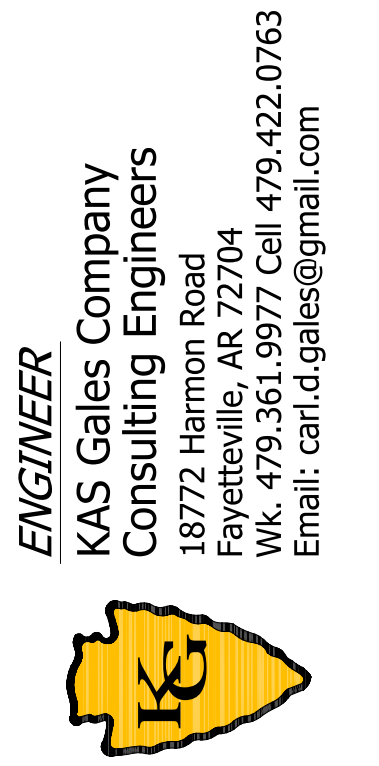


CABINET ELEVATION
 SCALE 1" = 1/2" = 1'

NOTE:
 ONE UNIT WILL BE LOWERED FOR ADA COMPLIANCE WITH OPEN UNDER SINK IN KITCHEN AND BATHROOM FOR WHEEL CHAIR ACCESSIBILITY. SEE ADA CABINET SIDE VIEW FOR DIMENSIONS.



HVAC CLOSET FRAMING
 SCALE 1" = 1/2" = 1'



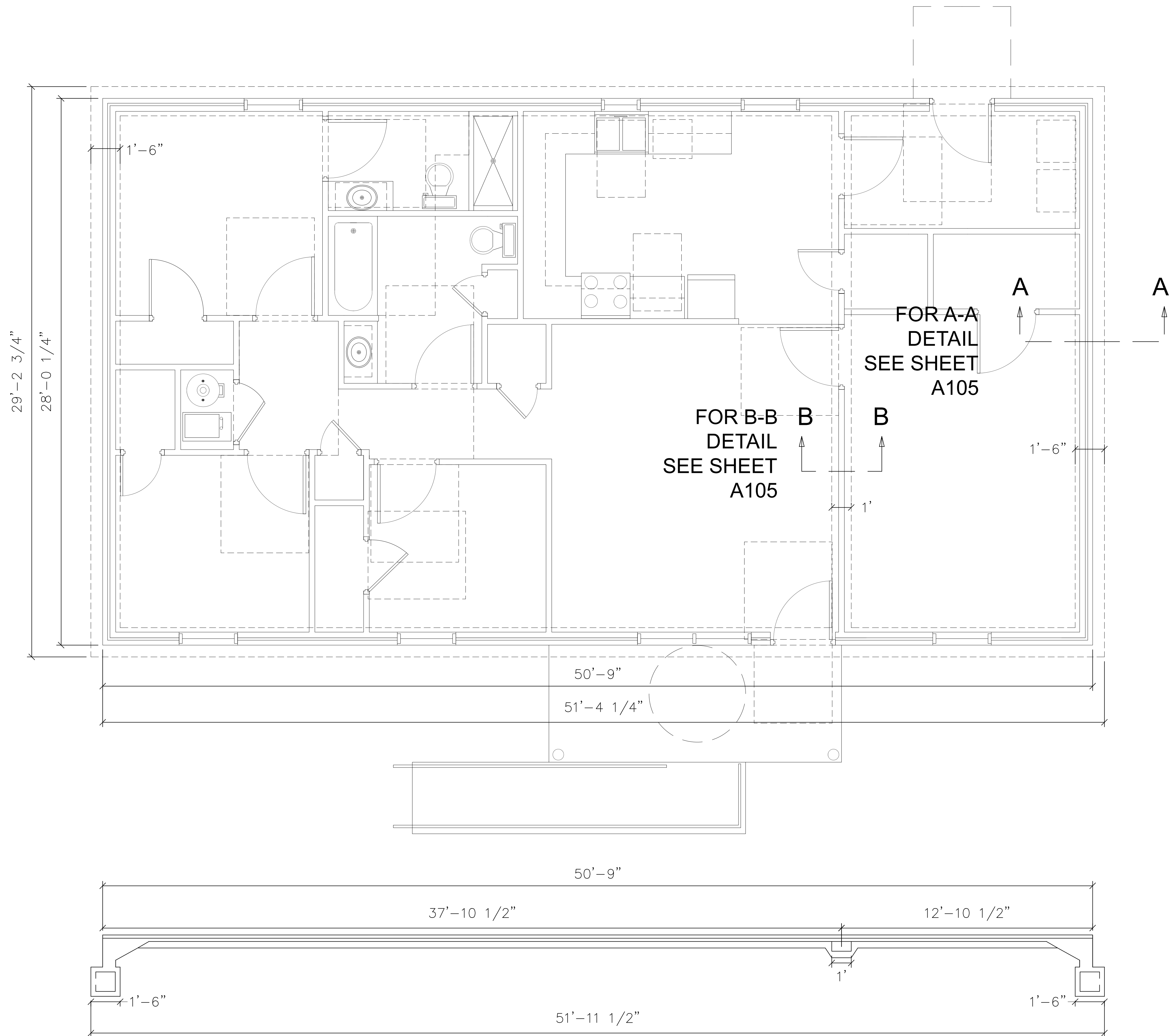
Cherokee Nation
 4 Bedroom Adaptable Unit
 Right Cabinet Elev/HVAC
 1422 Square Feet

CLIENT: Cherokee Nation
 Housing Authority

DESIGNED BY:	APPROVED BY:
DRAWN BY:	CDG
MDD	DATE PREPARED:
	Nov, 2022

NO.	REVISION	DATE	BY

A103
 SHEET NO.



29'-2 3/4"
28'-0 1/4"

1'-6"

FOR A-A
DETAIL
SEE SHEET
A105

A

A

FOR B-B
DETAIL
SEE SHEET
A105

B

B

1'-6"

1'

50'-9"

51'-4 1/4"

37'-10 1/2"

12'-10 1/2"

1'-6"

51'-11 1/2"

1'-6"

SCALE
3/8" = 1'

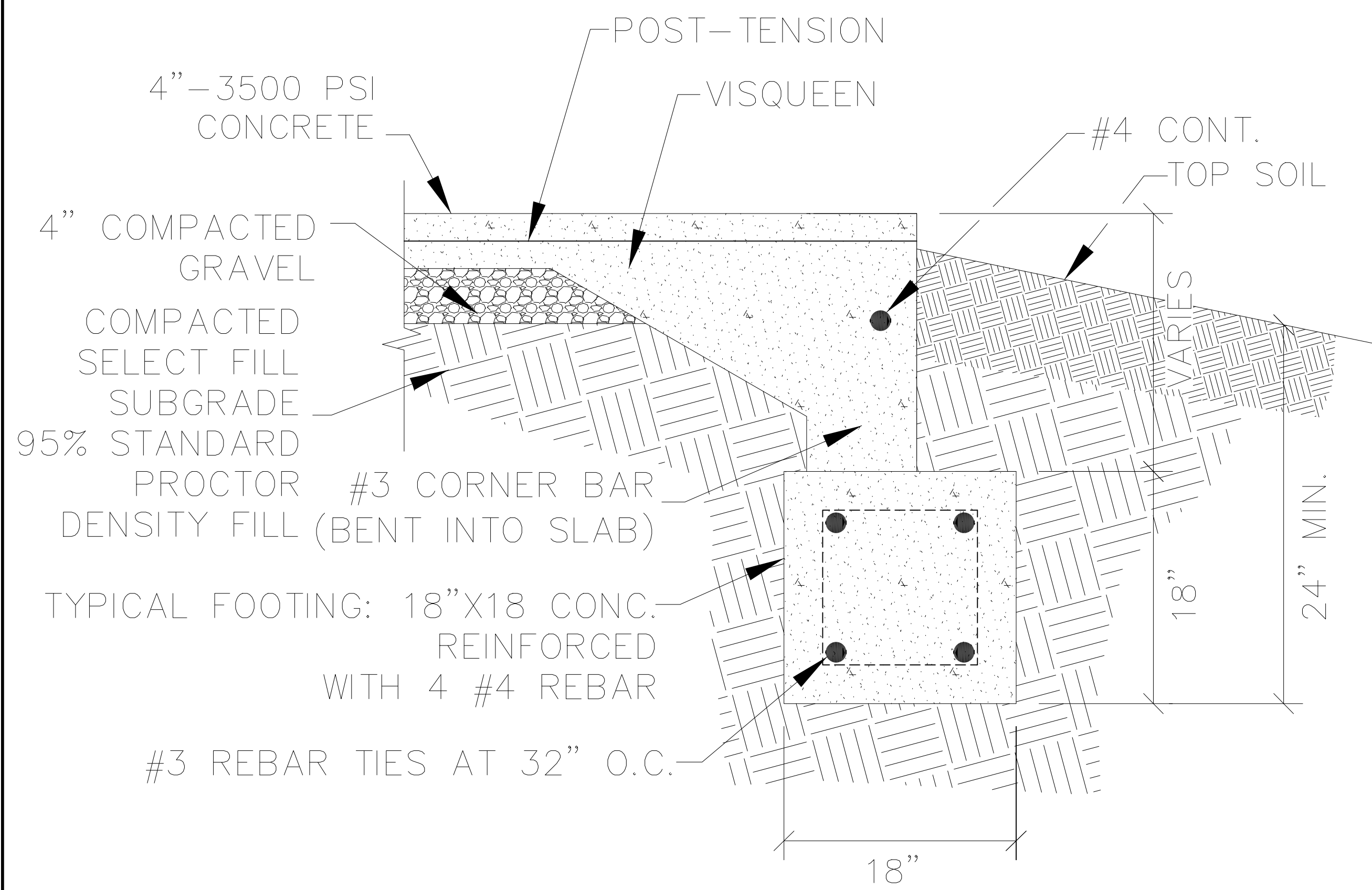


ENGINEER
KAS Gales Company
Consulting Engineers
18772 Harmon Road
Fayetteville, AR 72704
Wk. 479.361.9977 Cell 479.422.0763
Email: carl.d.gales@gmail.com

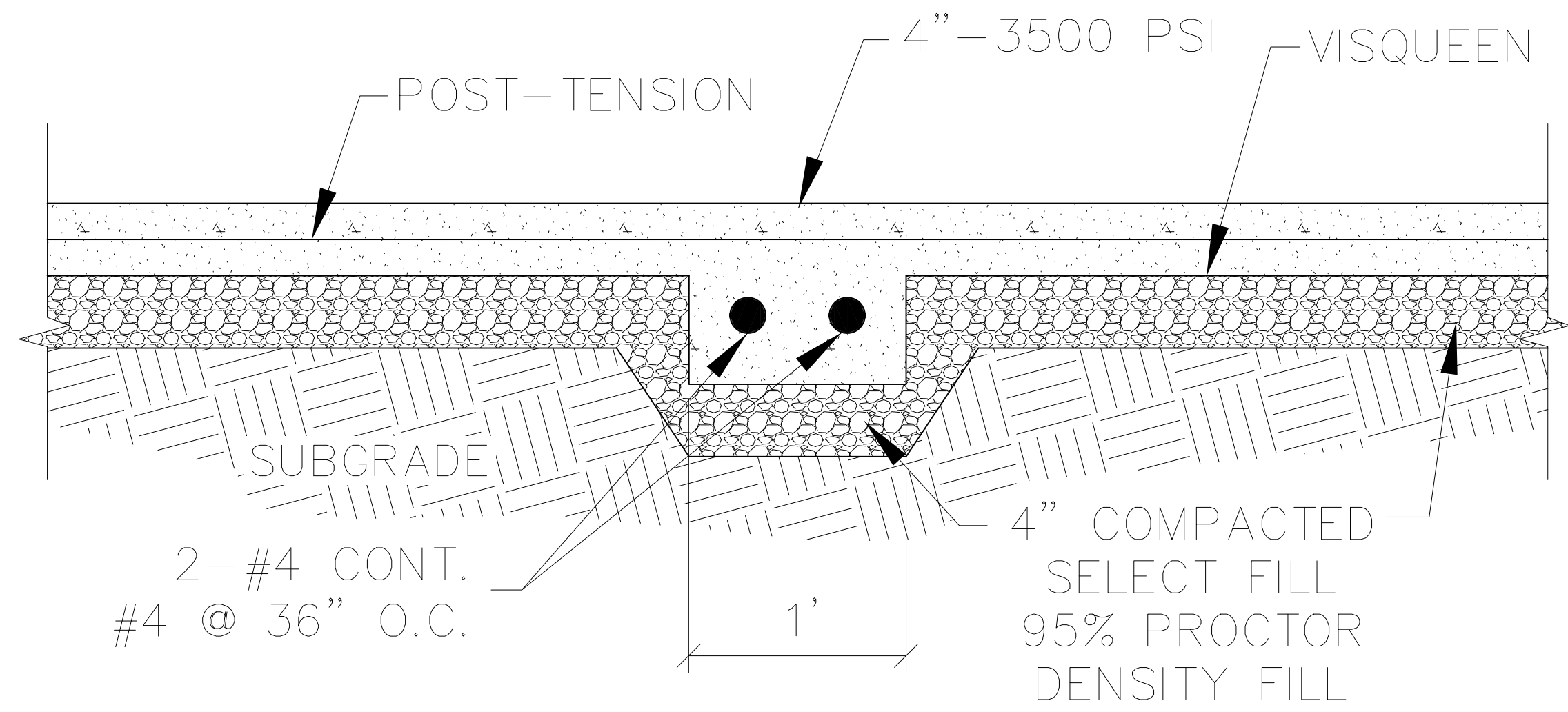
Cherokee Nation 4 Bedroom Adaptable Unit Right Foundation Plan 1422 Square Feet		DESIGNED BY: CDG		APPROVED BY: 	
		DRAWN BY: MDD		DATE PREPARED: Nov. 2022	
				NO.	
				REVISION	
				DATE	
				BY	

A104
SHEET NO.

CLIENT: Cherokee Nation
Housing Authority

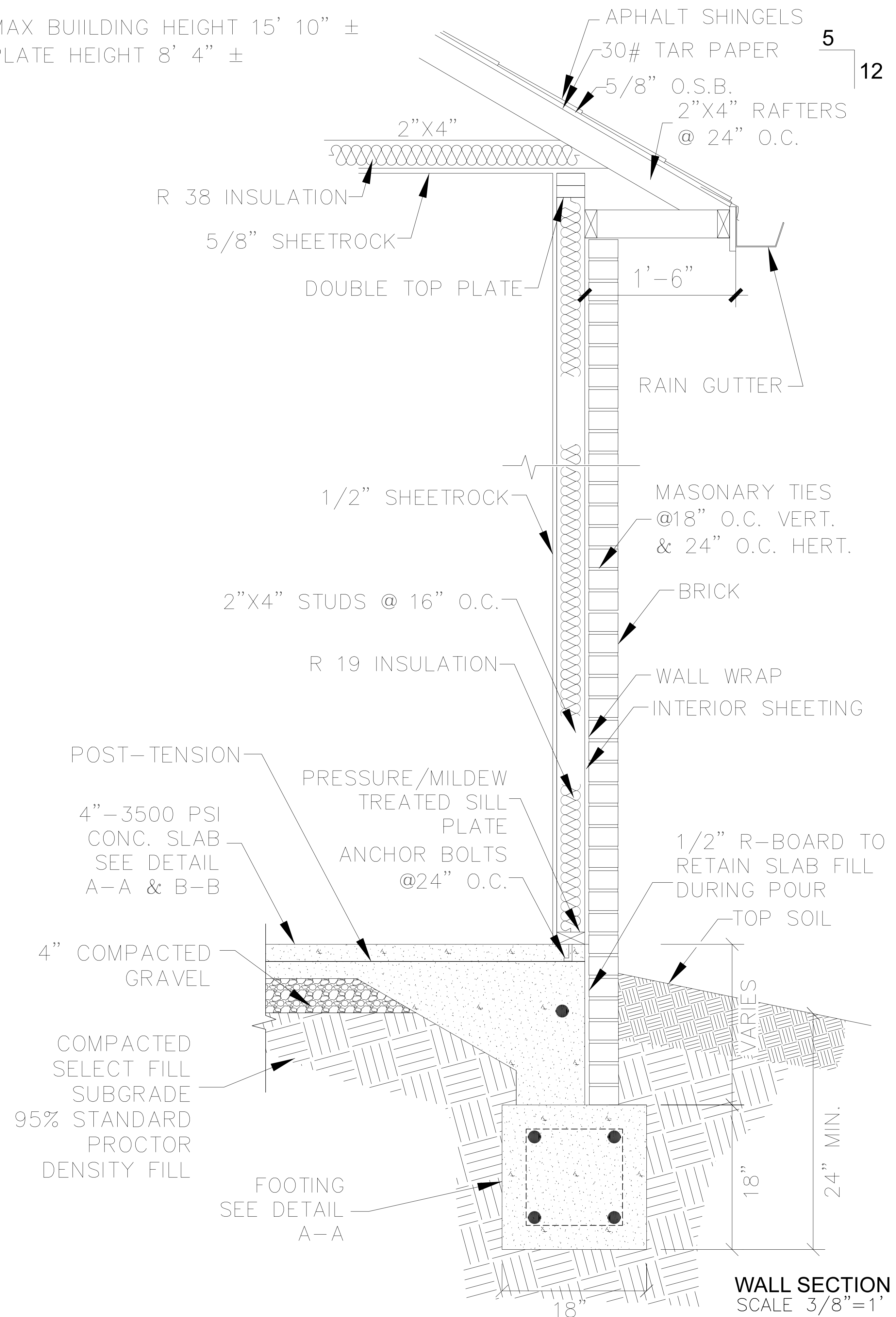


**A-A SECTION
FOUNDATION DETAIL**
SCALE N.T.S.



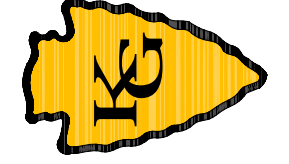
**B-B SECTION
FOUNDATION DETAIL**
SCALE N.T.S.

MAX BUILDING HEIGHT 15' 10" ±
PLATE HEIGHT 8' 4" ±



WALL SECTION
SCALE 3/8"=1'

ENGINEER
KAS Gales Company
Consulting Engineers
18772 Harmon Road
Fayetteville, AR 72704
Wk. 479.361.9977 Cell 479.422.0763
Email: carl.d.gales@gmail.com

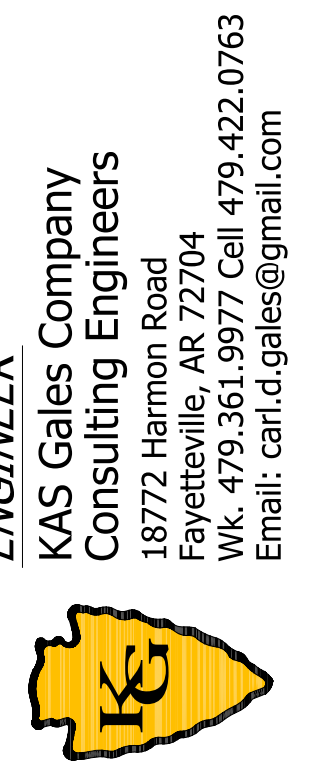


Cherokee Nation
4 Bedroom Adaptable Unit
Right Foundation Details
1422 Square Feet

CLIENT: Cherokee Nation
Housing Authority

DESIGNED BY: CDG	APPROVED BY: CDG
DRAWN BY: MDD	DATE PREPARED: Nov. 2022
NO.	REVISION
DATE	BY

A105
SHEET NO.



**Cherokee Nation
 4 Bedroom Adaptable Unit
 Right Elevations
 1422 Square Feet**

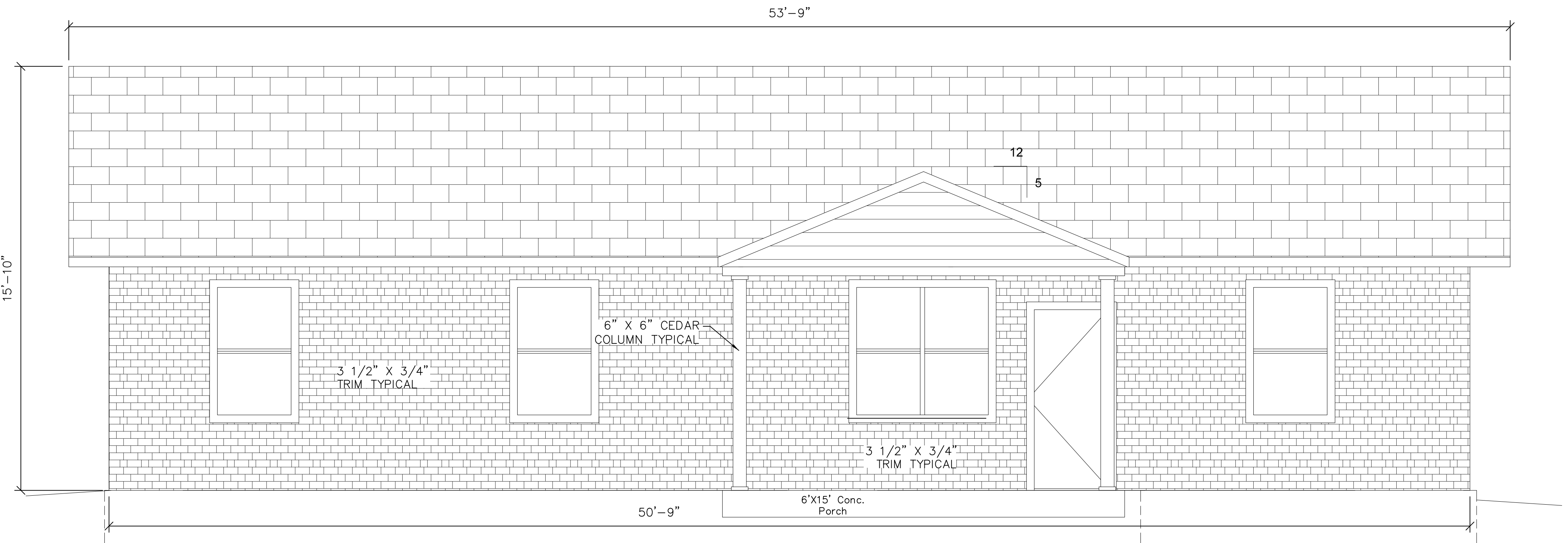
CLIENT: Cherokee Nation
 Housing Authority

DESIGNED BY: CDG
 DRAWN BY: MDD
 APPROVED BY:
 DATE PREPARED:
 Nov, 2022

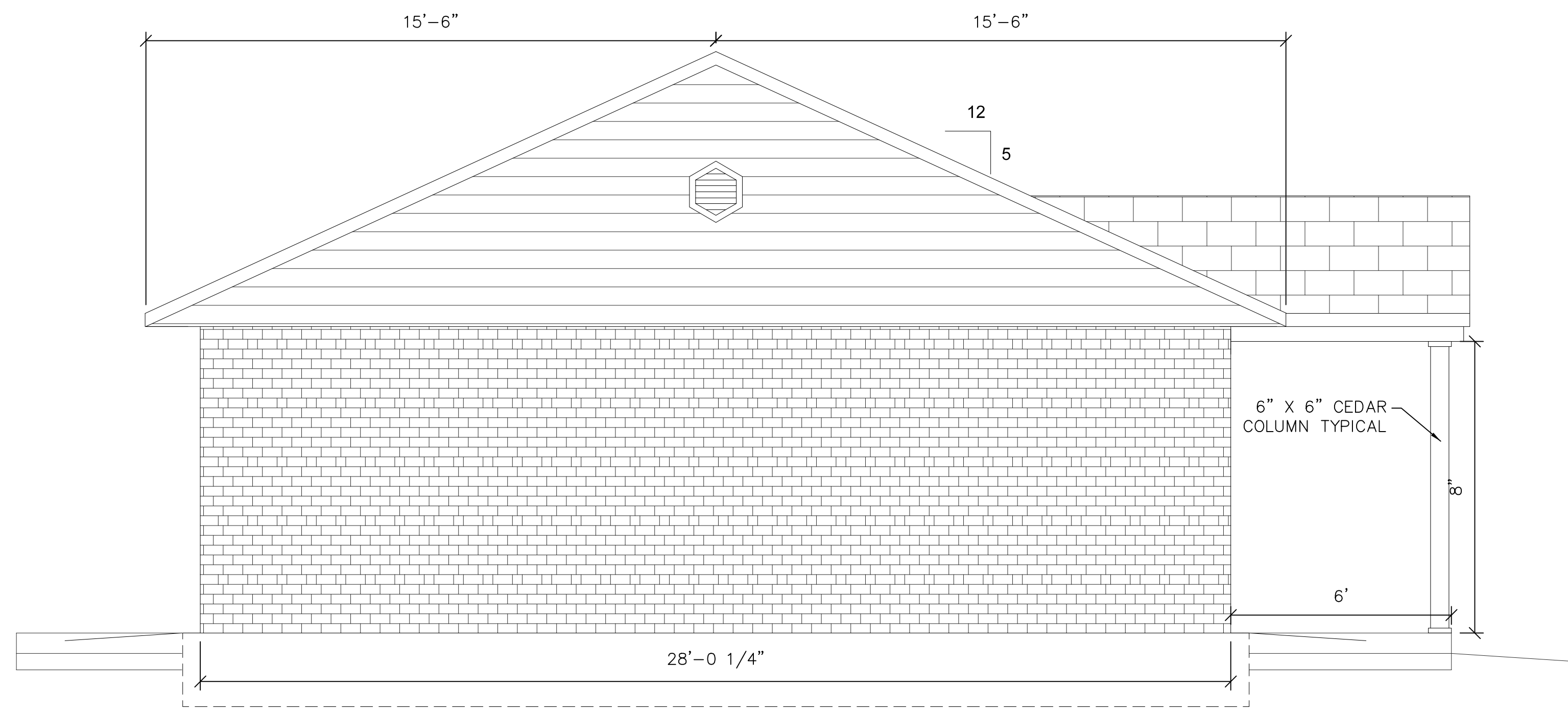
NO.	REVISION	DATE	BY

A106

SHEET NO.



FRONT ELEVATION



SIDE ELEVATION

SCALE
 3/8" = 1'



**Cherokee Nation
 4 Bedroom Adaptable Unit
 Right HVAC Plan
 1422 Square Feet**

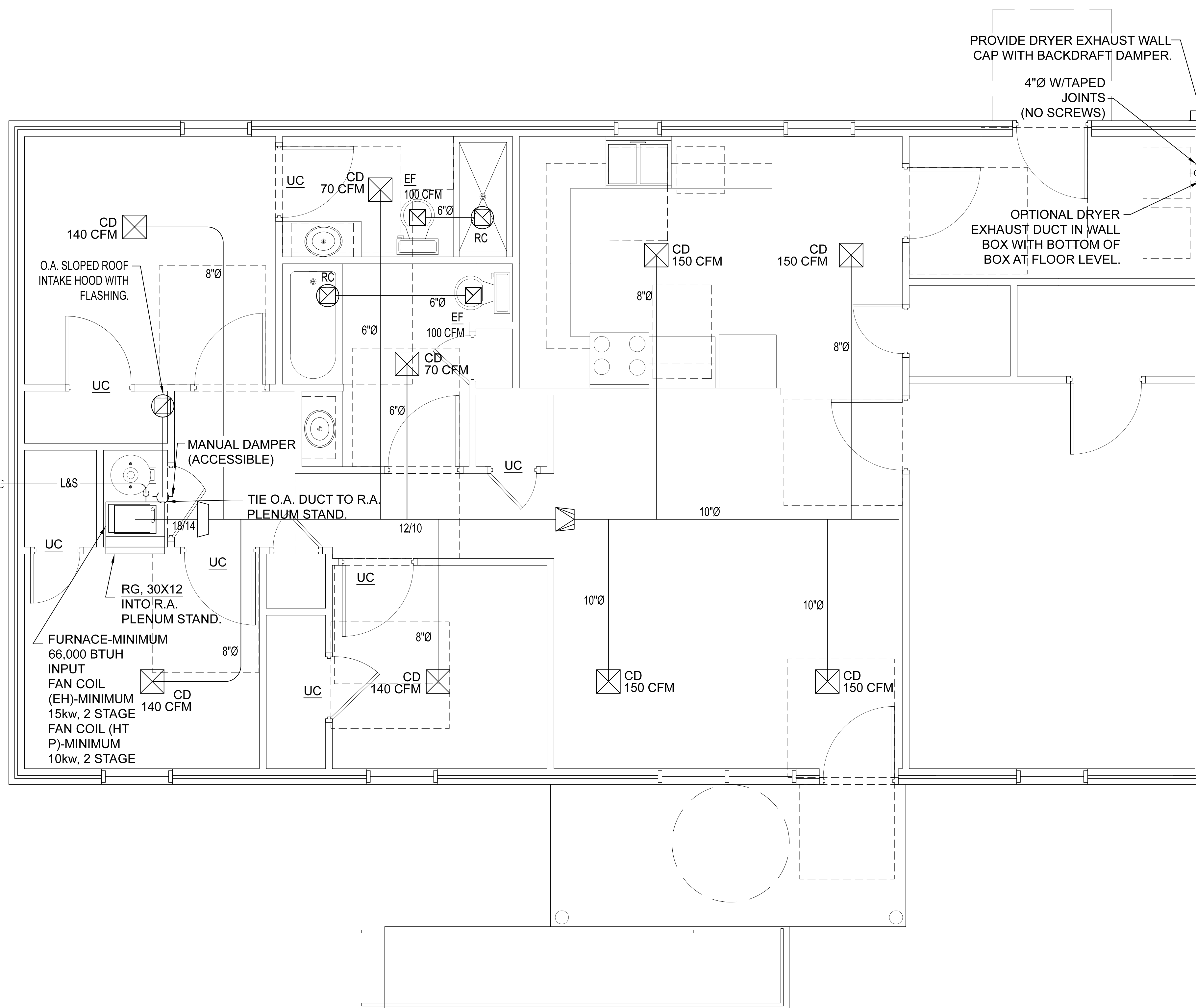
**CLIENT: Cherokee Nation
 Housing Authority**

DESIGNED BY: CDG
 DRAWN BY: MDD
 APPROVED BY: CDG
 DATE PREPARED: Nov, 2022

NO.	REVISION	DATE	BY

M101
 SHEET NO.

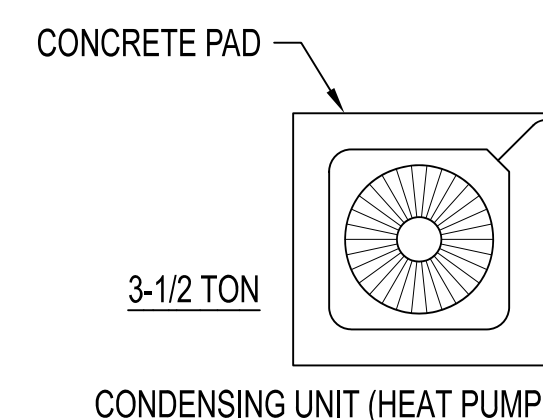
SCALE
 3/8" = 1'



UC = UNDERCUT DOOR

AIR DEVICES - HART & COOLEY OR EQUAL
 CEILING DIFFUSERS TYPE 500
 6x6 75 CFM OR LESS
 8x8 75-120 CFM
 10x10 120-175 CFM
 12x12 175-300 CFM

SIDEWALL FURNACE (FAN COIL) RETURN GRILLE
 TYPE 672
 30x12 800 CFM (2T)
 30x18 1200 CFM (3T)
 30x24 1600 CFM (4T)



CONDENSING UNIT (HEAT PUMP)

NOTE:

1. VERIFY HEAT SOURCE WITH CONSTRUCTOR. (GAS, ELECTRIC RESISTANCE, OR AIR TO AIR HEAT PUMP)
2. HEAT PUMP FAN COIL UNITS TO BE PROVIDED WITH SUPPLEMENTAL ELECTRIC HEATER. (SIZED TO PROVIDE SUPPLY AIR TEMPERATURE ABOVE 95°F WITH HEAT PUMP OPERATION AT 0°F OUTSIDE AIR TEMPERATURE.)
3. PROVIDE FLUE AND COMBUSTION AIR DUCTING FOR GAS FIRED FURNACE.

FURNACE-MINIMUM
 66,000 BTUH
 INPUT
 FAN COIL
 (EH)-MINIMUM
 15kw, 2 STAGE
 FAN COIL (HT
 P)-MINIMUM
 10kw, 2 STAGE



ENGINEER
KAS Gales Company
Consulting Engineers
18772 Harmon Road
Fayetteville, AR 72704
Wk. 479.361.9977 Cell 479.422.0763
Email: carl.d.gales@gmail.com

Cherokee Nation
4 Bedroom Adaptable Unit
Right Waste and Vent
Plumbing Plan
1422 Square Feet

CLIENT: Cherokee Nation
Housing Authority

DESIGNED BY:
CDG
APPROVED BY:
DATE PREPARED:
Nov. 2022

DRAWN BY:
MDD

BY

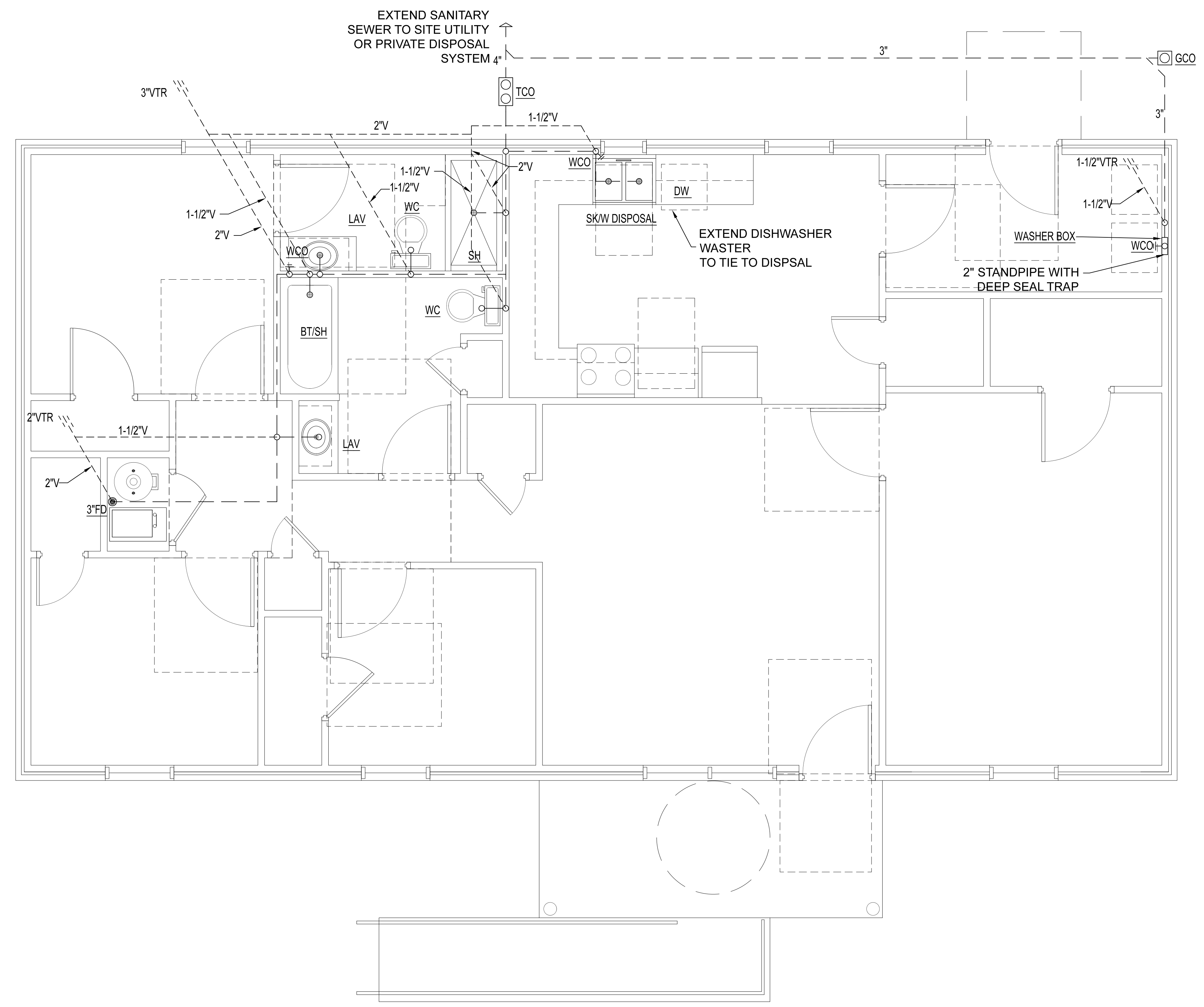
DATE

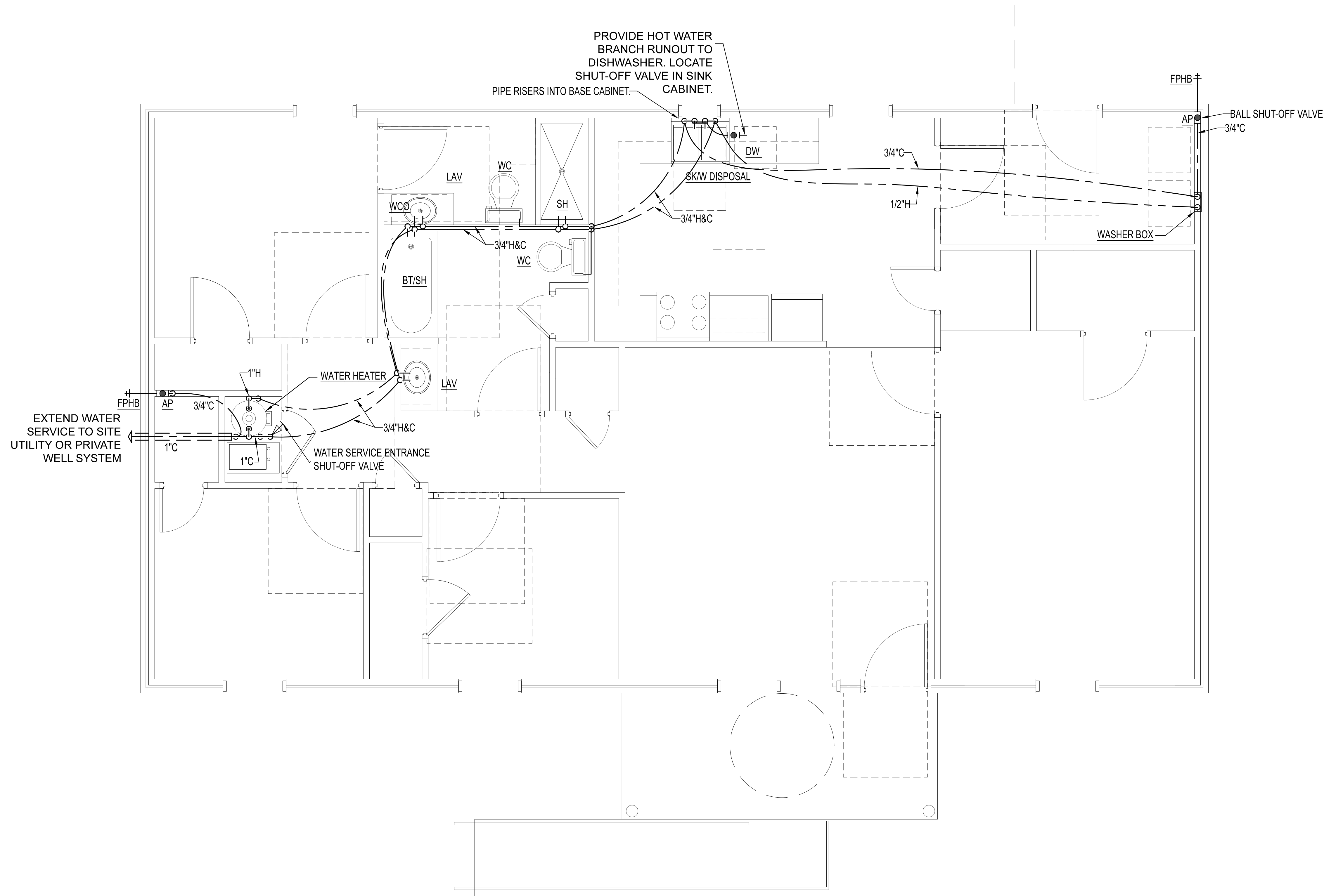
REVISION

NO.

P101
SHEET NO.

SCALE
3/8" = 1'





SCALE
3/8" = 1'



ENGINEER
KAS Gales Company
 Consulting Engineers
 18772 Harmon Road
 Fayetteville, AR 72704
 Wk. 479.361.9977 Cell 479.422.0763
 Email: carl.d.gales@gmail.com

Cherokee Nation
 4 Bedroom Adaptable Unit
 Right Domestic Water Plan
 1422 Square Feet

CLIENT: Cherokee Nation
 Housing Authority

NO.	REVISION	DATE	BY	DESIGNED BY:	APPROVED BY:
				CDG	CDG
				MDD	MDD
					DATE PREPARED: Nov. 2022

P102
 SHEET NO.

