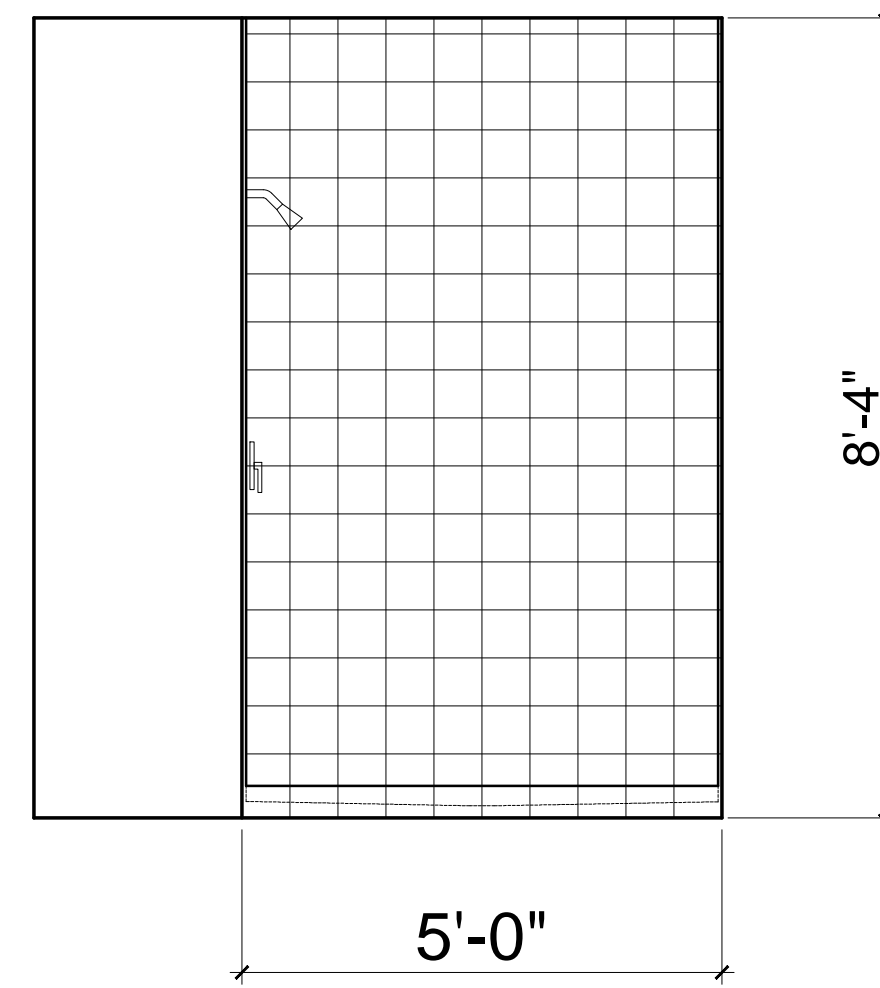
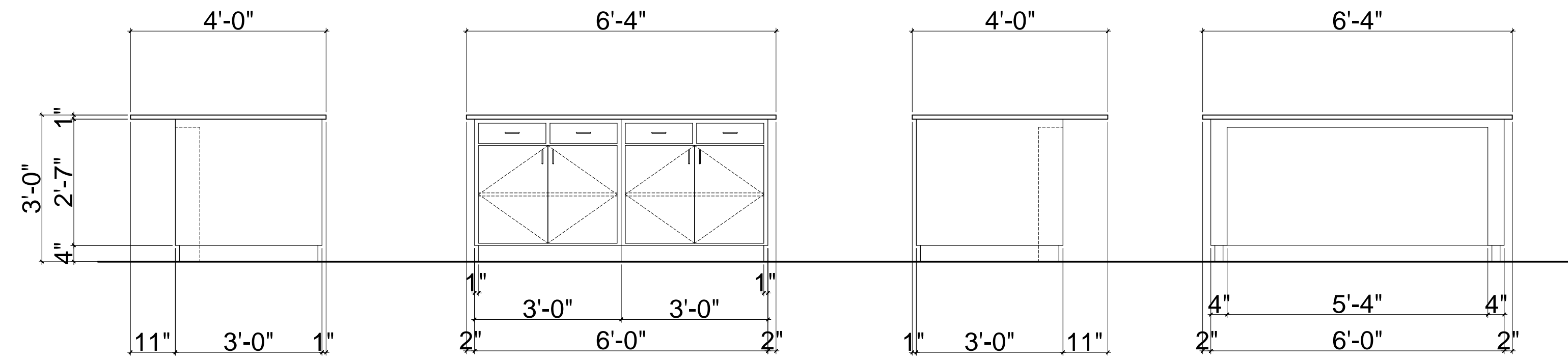


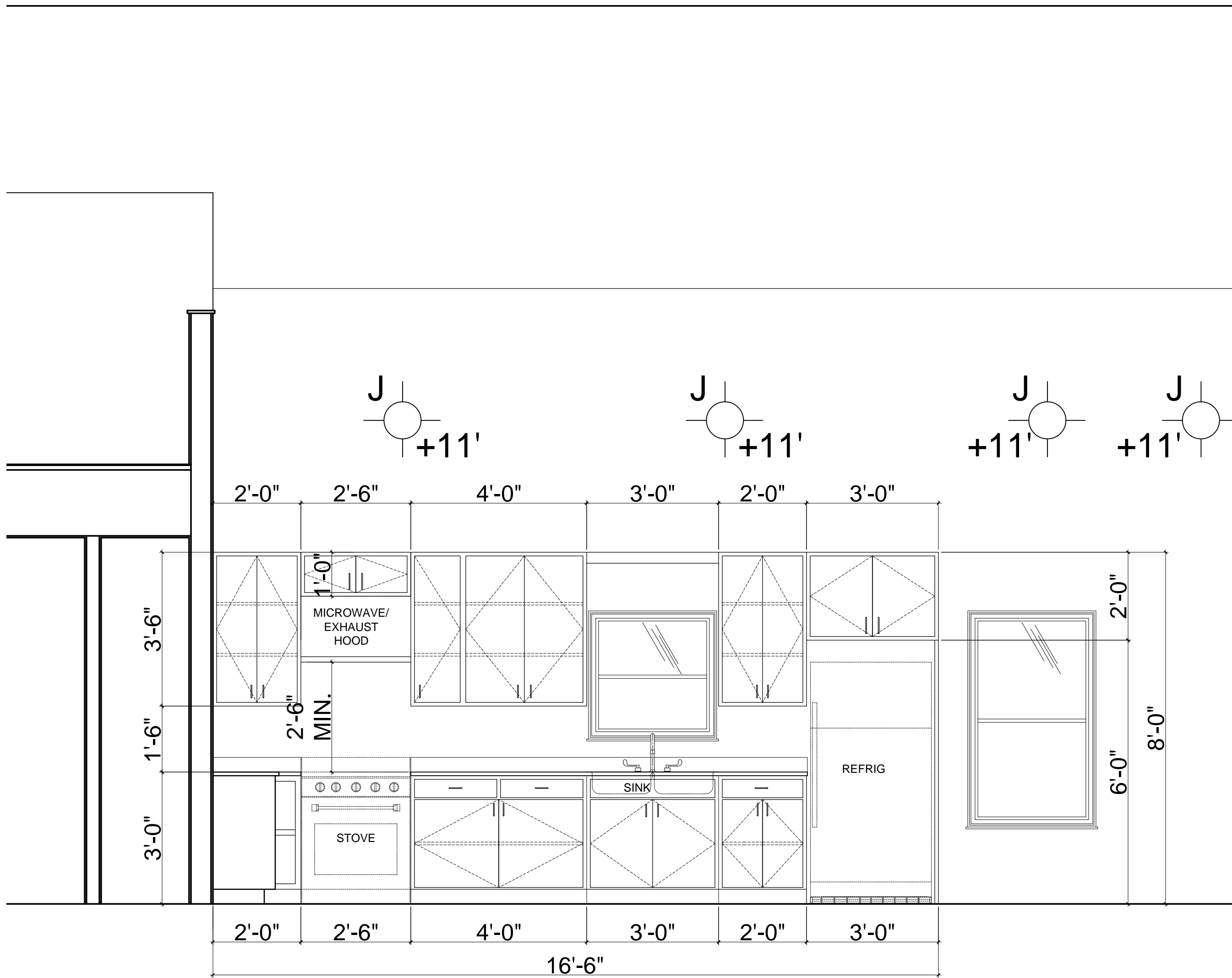
3 2 BED + LOFT CABIN - TOILET ELEVATION  
SCALE: 1/2"=1'-0"



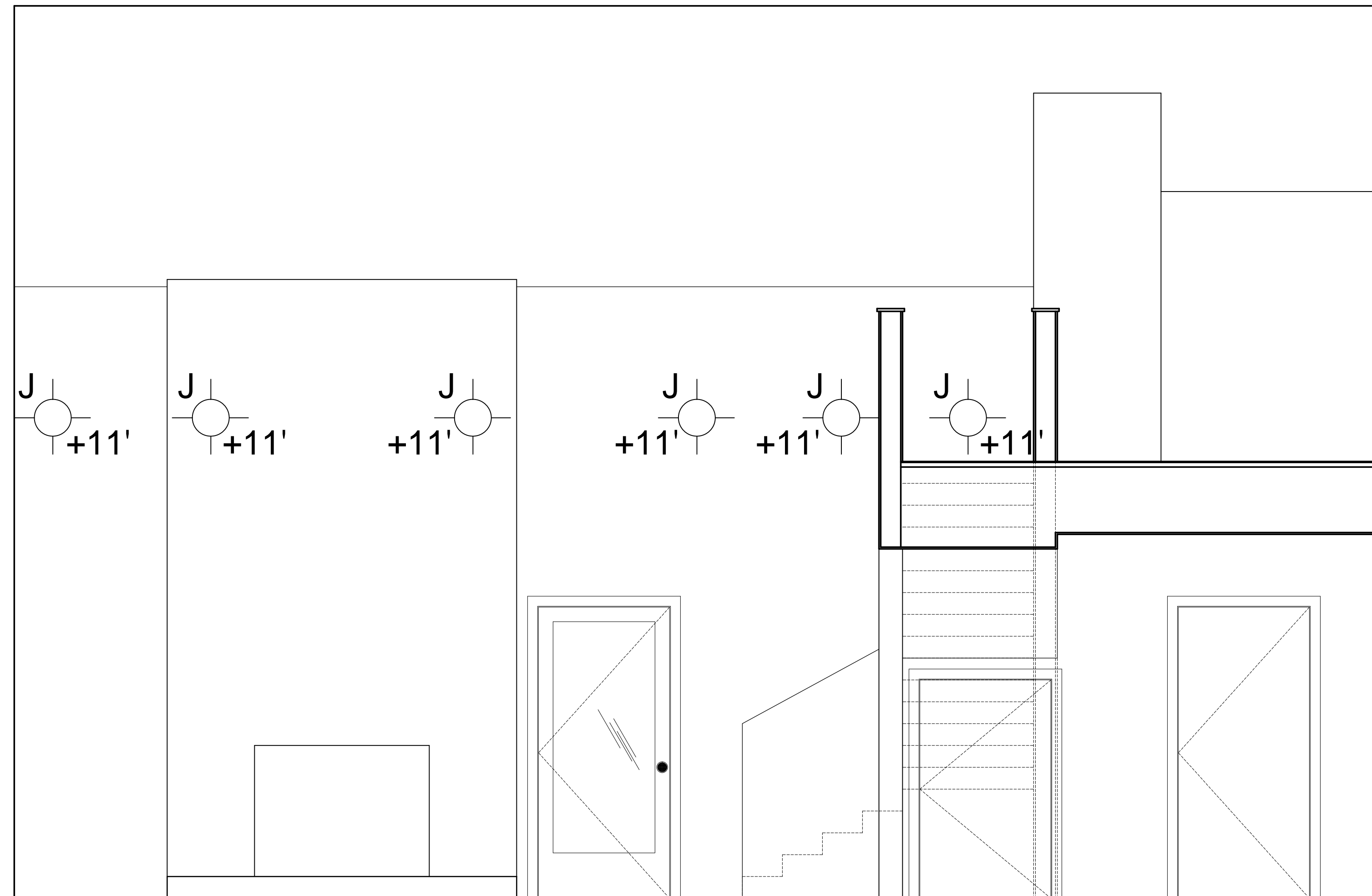
4 2 BED + LOFT CABIN - SHOWER ELEVATION  
SCALE: 1/2"=1'-0"



5 2 BED + LOFT CABIN - KITCHEN ISLAND ELEVATIONS  
SCALE: 1/2"=1'-0"



1 2 BED + LOFT CABIN - KITCHEN ELEVATION  
SCALE: 1/2"=1'-0"



2 2 BED + LOFT CABIN - FIREPLACE ELEVATION  
SCALE: 1/2"=1'-0"



10035 N. 177TH EAST AVE.  
OWASSO, OK 74055-7841  
918-798-5979  
joe@bbkcae.com

3600 SUNVALLEY DR.  
NORMAN, OK 73026-0632  
405-821-2137  
egb@bbkcae.com



CONSULTANTS:

REVISED FOR  
CONSTRUCTION  
06.23.2023

THESE DRAWINGS ARE THE PROPERTY OF ED G. BISHOP, ARCHITECT AIA AND BBK CAE, P.C. UNAUTHORIZED REPRODUCTION FOR ANY PURPOSE IS AN INFRINGEMENT UPON COPYRIGHT LAWS. VIOLATORS WILL BE SUBJECT TO PROSECUTION TO THE FULLEST EXTENT OF THE LAW.

WRITTEN DIMENSIONS ON THESE DRAWINGS SHALL HAVE PRECEDENCE OVER SCALE DIMENSIONS. CONTRACTORS SHALL VERIFY AND BE RESPONSIBLE FOR ALL DIMENSIONS AND CONDITIONS ON THE JOB AND THIS OFFICE MUST BE NOTIFIED OF ANY VARIATION FROM THE DIMENSIONS AND CONDITIONS SHOWN BY THESE DRAWINGS. NO CHANGE ORDERS WILL BE ISSUED FOR CHANGES REQUIRED IN THE FIELD AFTER CONSTRUCTION HAS COMMENCED UNLESS SPECIFICALLY AUTHORIZED BY THE OWNER. ©2015 BBKCAE.

REVISIONS:	DATE:
△	-
△	-
△	-
△	-
△	-
△	-

RELEASED FOR:	DATE:
<input type="checkbox"/> PRELIMINARY ONLY	-
<input type="checkbox"/> BIDDING	-
<input type="checkbox"/> PERMITS	-
<input type="checkbox"/> CONSTRUCTION	-

PROJECT NO: CHEROKEE LAKE CABINS  
CAD DWG FILE:  
DRAWN BY: gdw  
CHECKED BY: egb



CHEROKEE NATION  
SALLISAW CREEK  
STATE PARK CABINS  
SALLISAW, OKLAHOMA

2 BED + LOFT  
CABIN  
INTERIOR  
ELEVATIONS

A401

SHEET NO. 1 OF 1