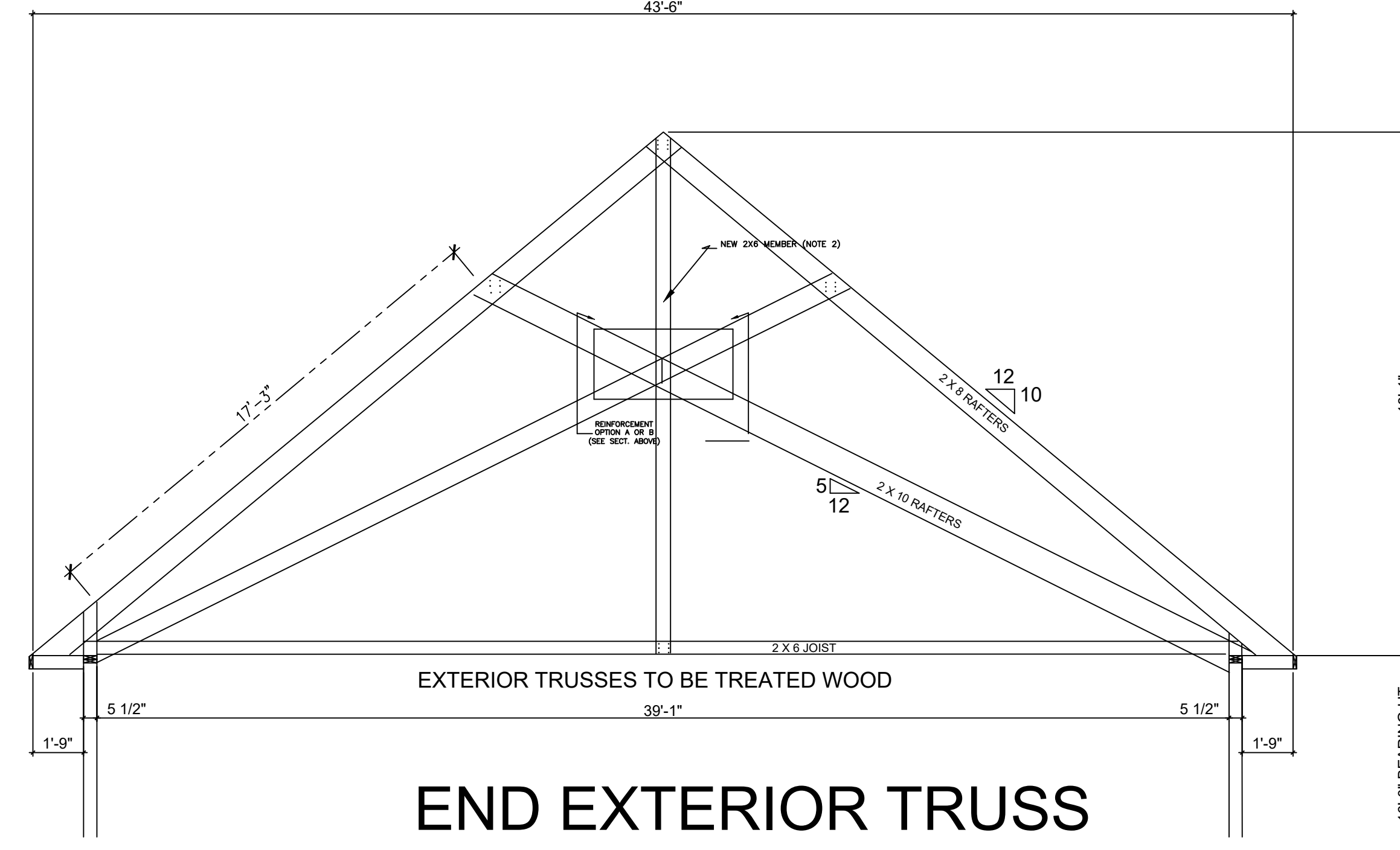
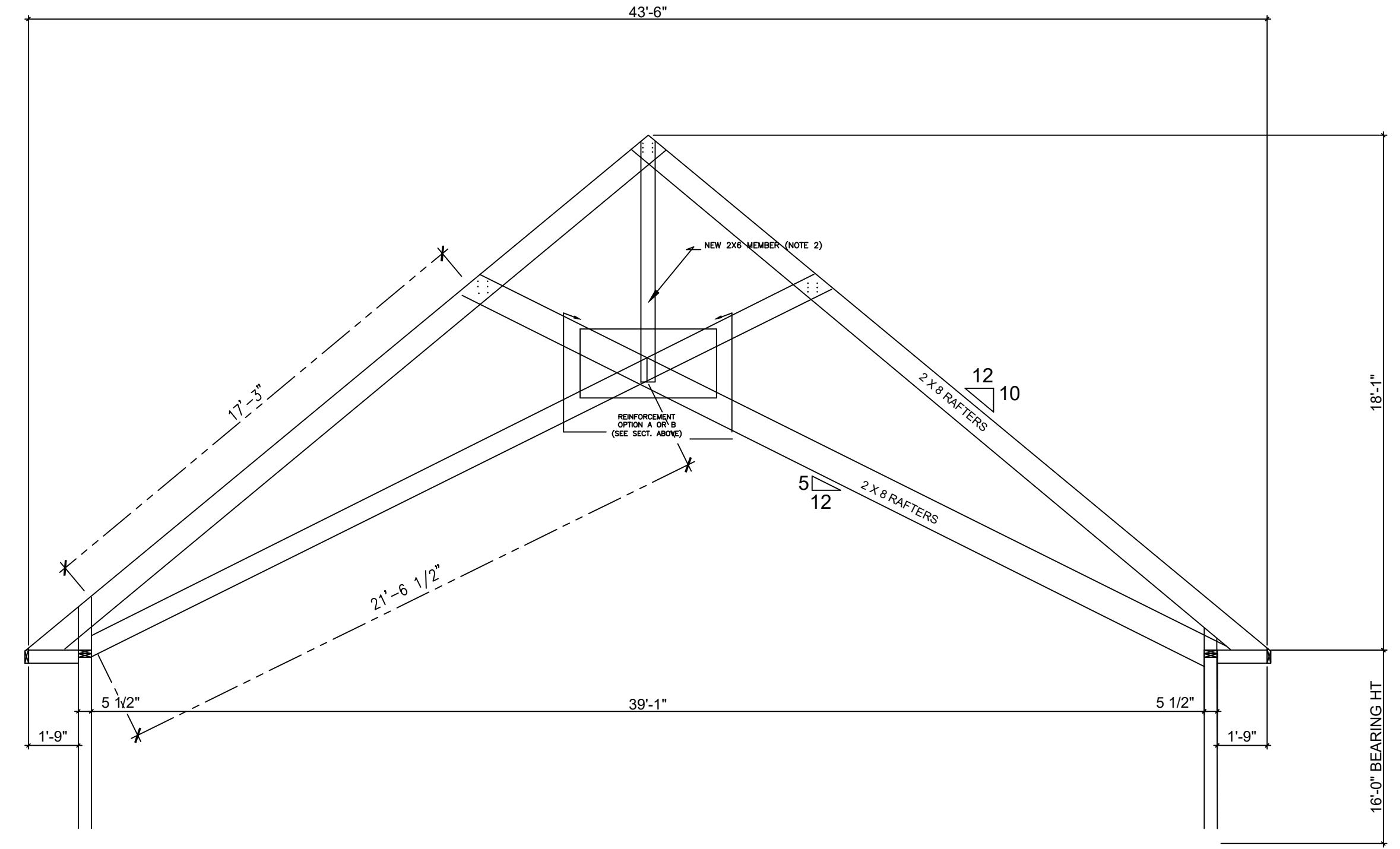
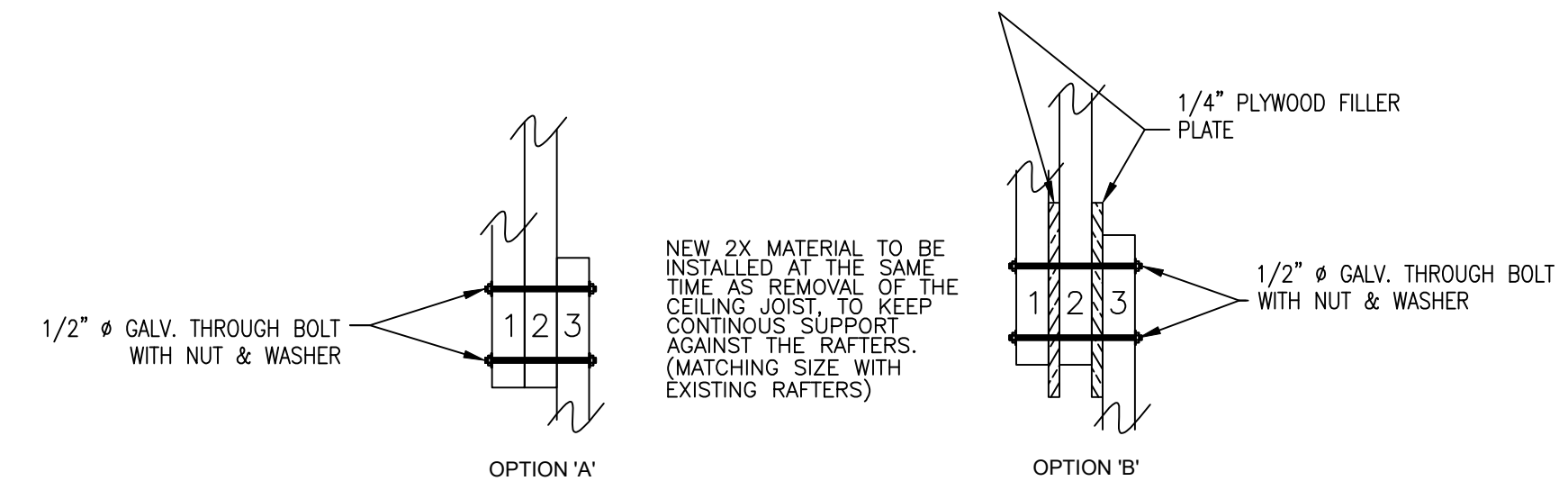


# ROOF



## END EXTERIOR TRUSS



FASTENING DETAIL AT MEMBER CROSSING

PLAN NAME:  
**CABIN 6**

NO.	DESCRIPTION	DATE	APPR.



**MAE**  
MORTENSEN ARCHITECTURAL ENGINEERING  
8452 Frederickburg Rd., Ste. 380  
Socorro, NM 87789  
Tel: (505) 801-4320  
TPELS FIRM # 16119

SHEET TITLE: TRUSS DESIGN FOR CABIN 6		N.C.E.I.:	COUNTY: UKN
ADDRESS: CHEROKEE NATION	LOT:	BLOCK:	CITY: UKN
<small>The use of any markings is limited to the project described in the title block. No part of this drawing is prohibited without the expressed written consent of MAE, Mortensen Architectural Engineering, PLLC.</small>			
PLAN NO.:	PLAN		

JOB NO:	23-101
DATE:	6/15/2023
DESIGNER:	CWL
CHECKED:	SMM
DRAWN:	CWL

SHEET:  
**S-2**