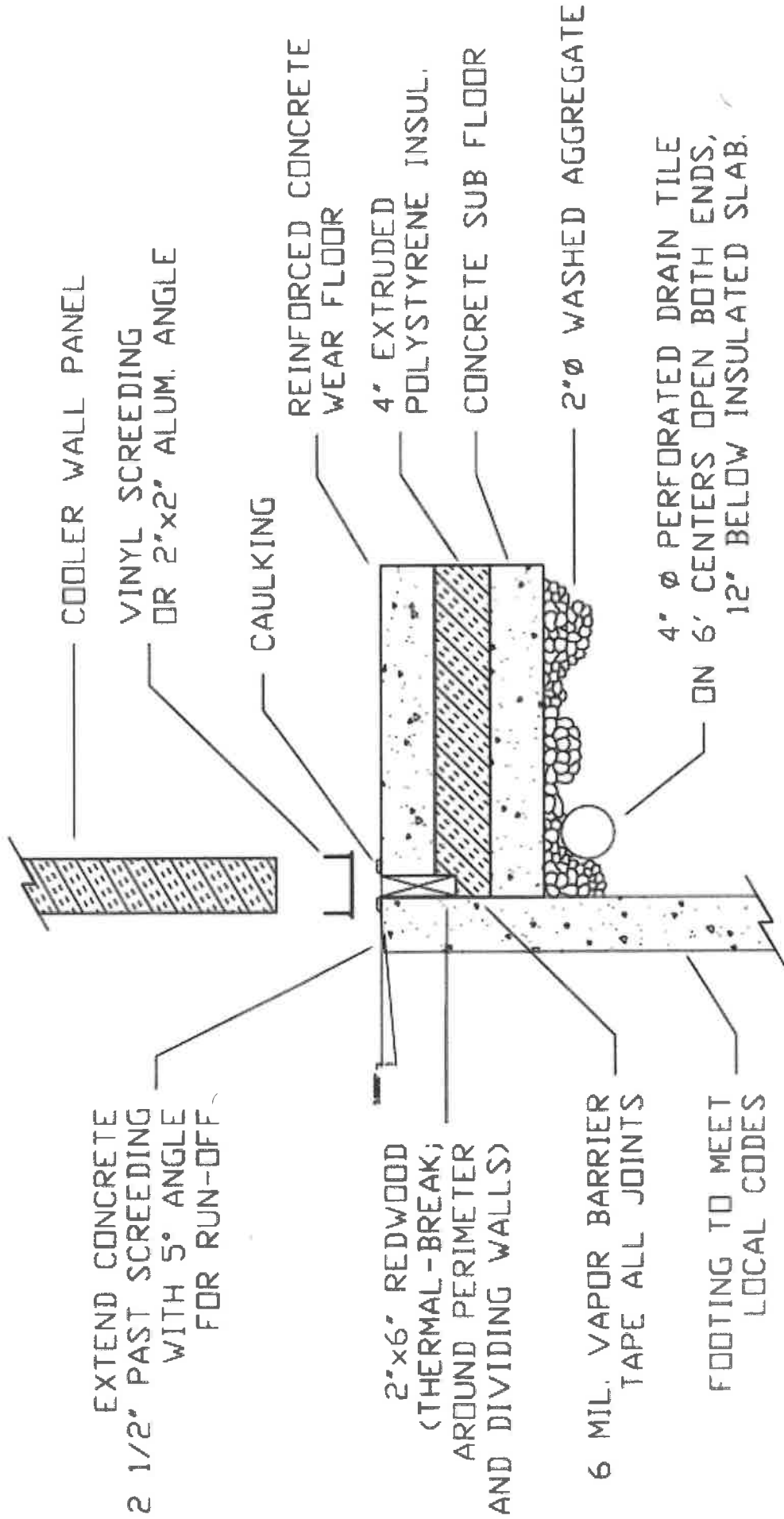


# FOOTING DETAIL

(FLOORLESS APPLICATION)



Design used for Conceptual purposes Consult local Engineer for requirements.  
 Craig Industries is not responsible for foundation design. This is an example.



**U.S. COOLE**  
 401 DELAWARE ST., QUINCY,  
 TEL 217-228-2421 • 800-52  
 FAX 217-228-2424 • www.USCO